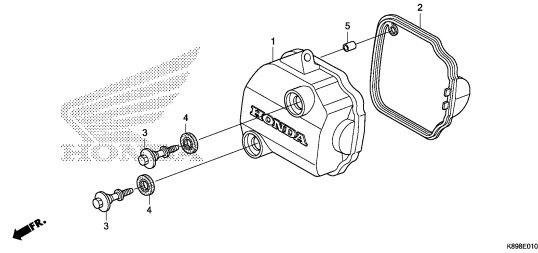


# ENGINE GROUP

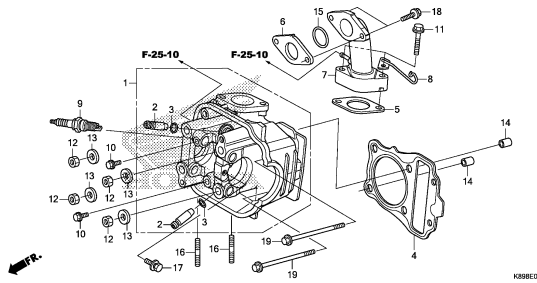
E-1

CYLINDER HEAD COVER



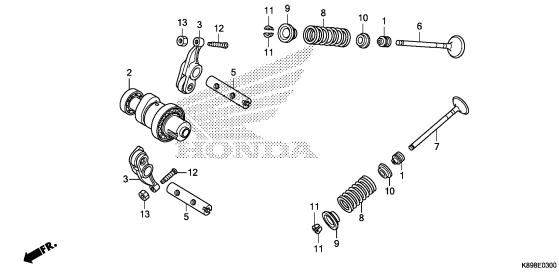
E-2

CYLINDER HEAD



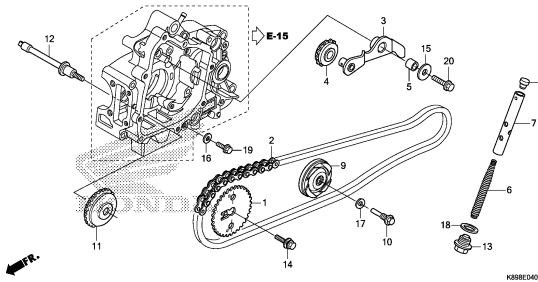
E-3

CAMSHAFT/VALVE



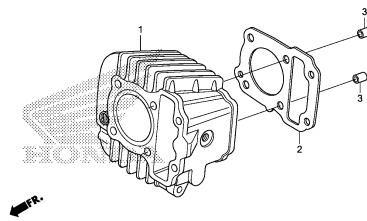
E-4

CAM CHAIN/TENSIONER



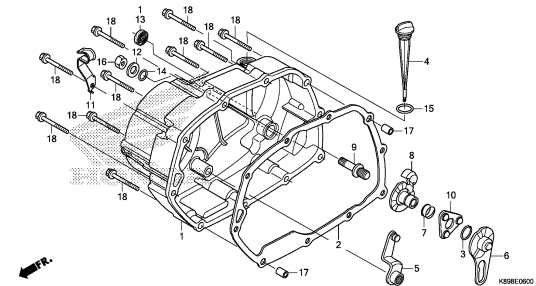
E-5

CYLINDER



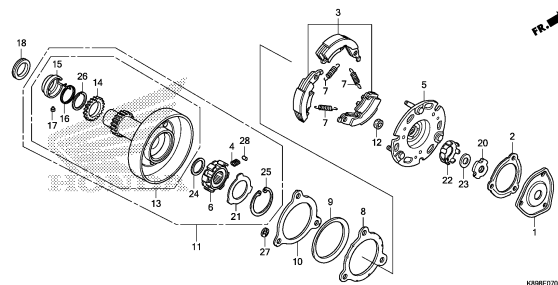
E-6

RIGHT CRANKCASE COVER



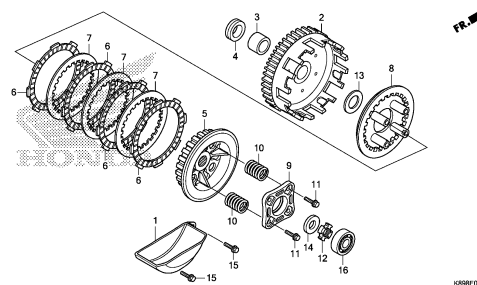
E-7

ONE WAY CLUTCH



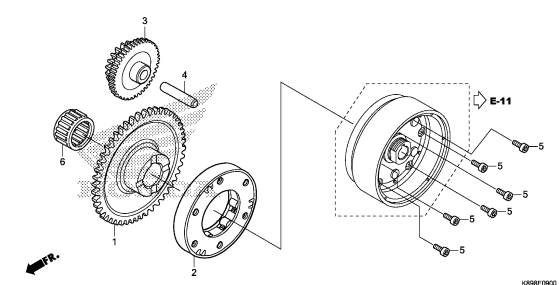
E-8

CLUTCH



E-9

STARTING CLUTCH

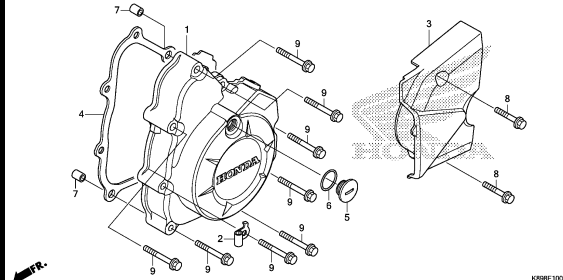


2

# ENGINE GROUP

E-10

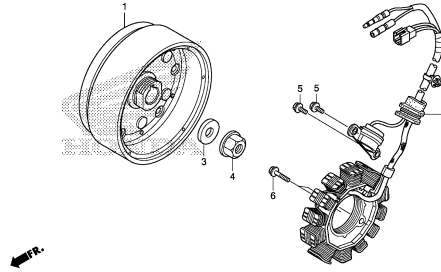
LEFT CRANKCASE COVER



K88RE100

E-11

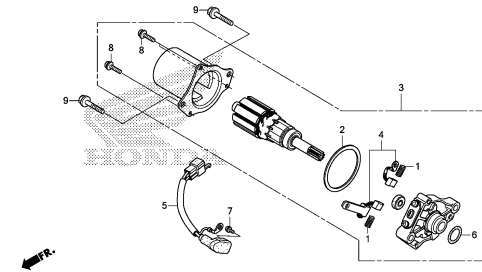
GENERATOR



K88RE100

E-13

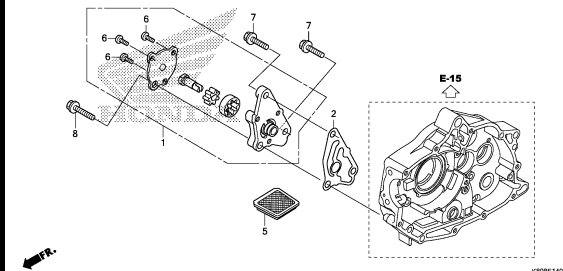
STARTER MOTOR



K88RE130

E-14

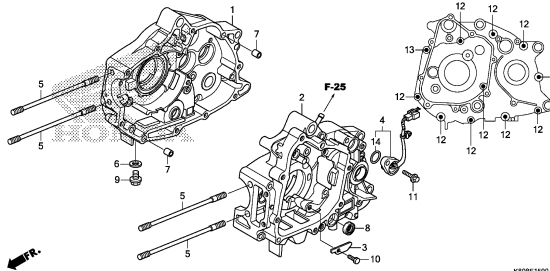
OIL PUMP



K88RE140

E-15

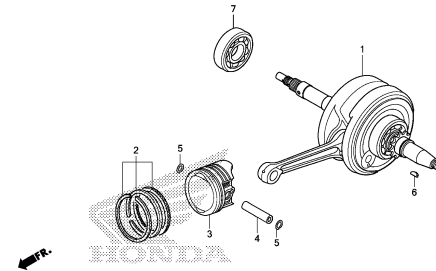
CRANKCASE



K88RE150

E-16

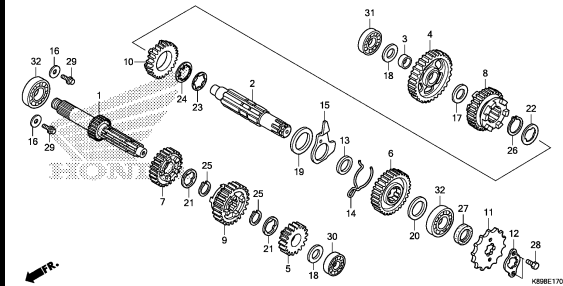
CRANKSHAFT/PISTON



K88RE160

E-17

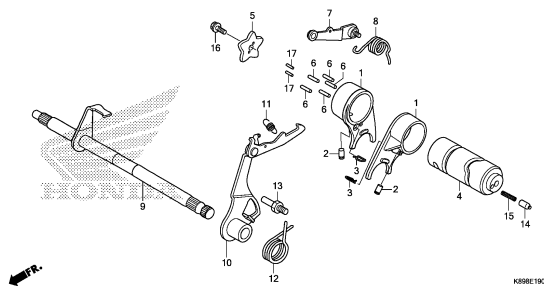
TRANSMISSION



K88RE170

E-19

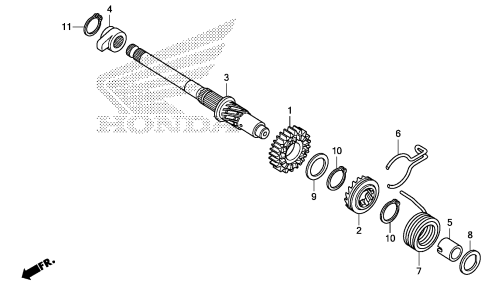
GEARSHIFT DRUM



K88RE190

E-20

KICK STARTER SPINDLE

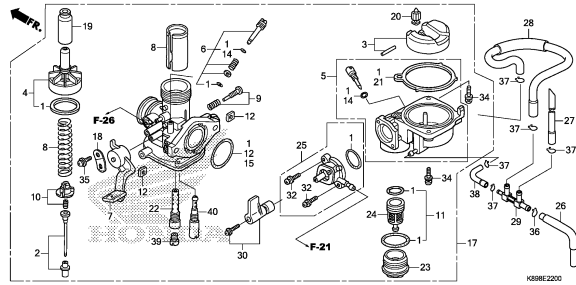


K88RE200

# ENGINE GROUP

E-22

## CARBURETOR

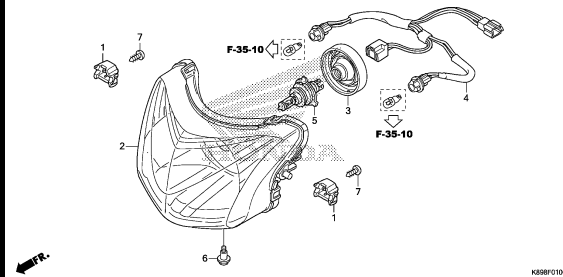


2

# FRAME GROUP

F-1

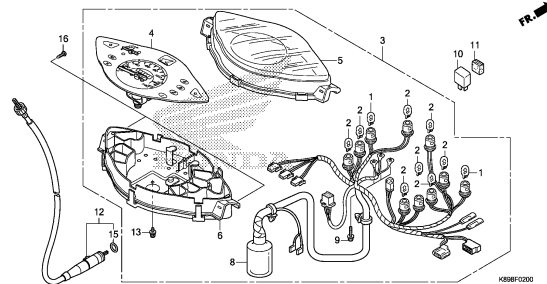
HEADLIGHT



K89BF0100

F-2

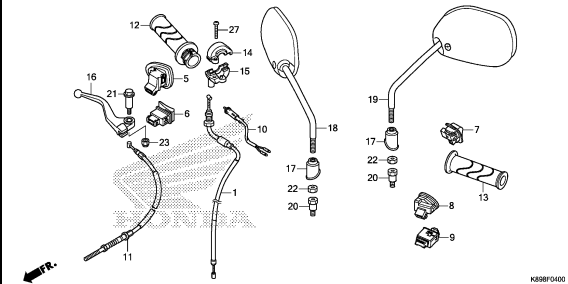
METER



K89BF0200

F-4

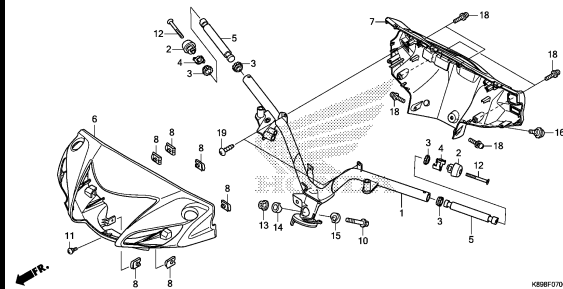
HANDLE LEVER/SWITCH/CABLE/MIRROR



K89BF0400

F-7

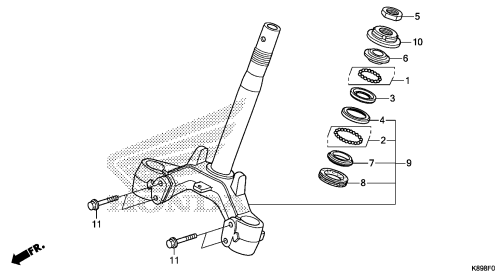
HANDLE PIPE/HANDLE COVER



K89BF0700

F-9

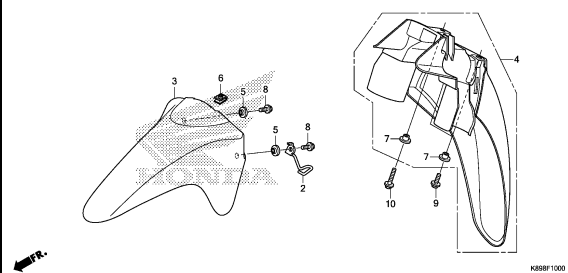
STEERING STEM



K89BF0900

F-10

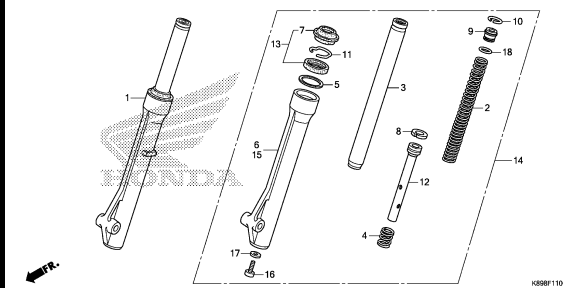
FRONT FENDER



K89BF1000

F-11

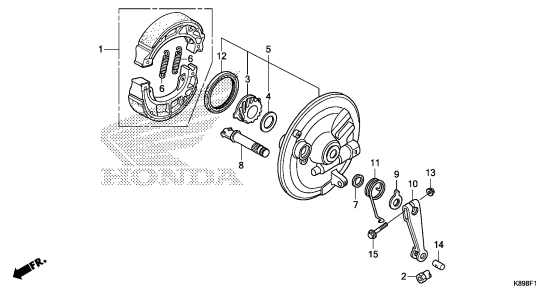
FRONT FORK



K89BF1100

F-13

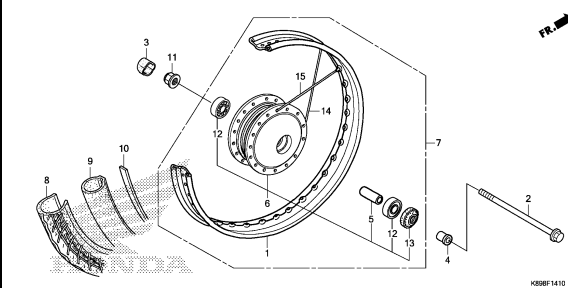
FRONT BRAKE PANEL



K89BF1300

F-14-10

FRONT WHEEL

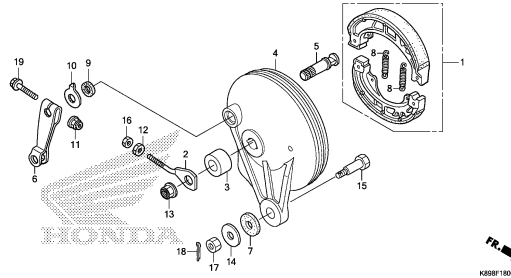


K89BF1410

# FRAME GROUP

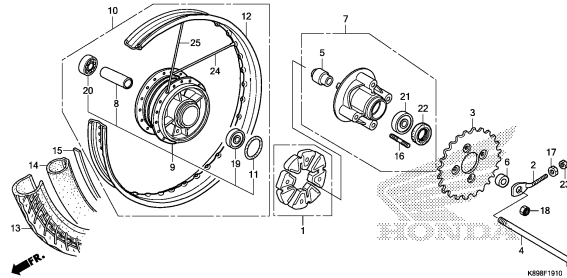
F-18

REAR BRAKE PANEL



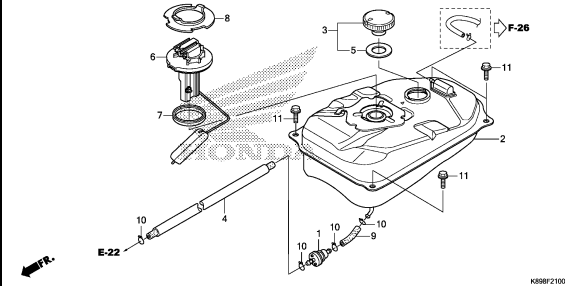
F-19-10

REAR WHEEL



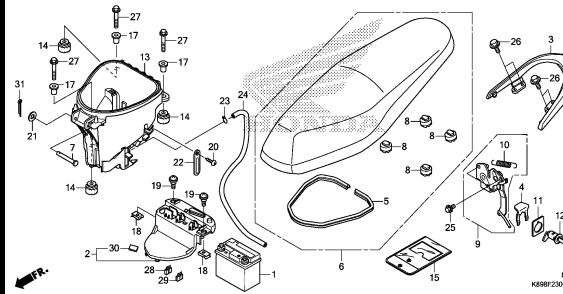
F-21

FUEL TANK



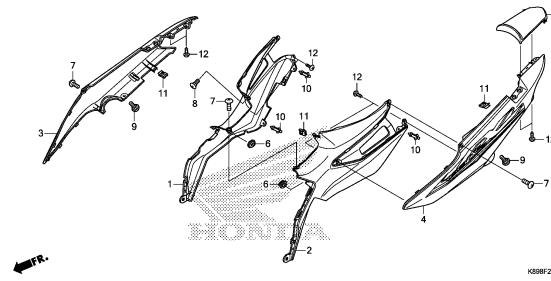
F-23

SEAT/BATTERY



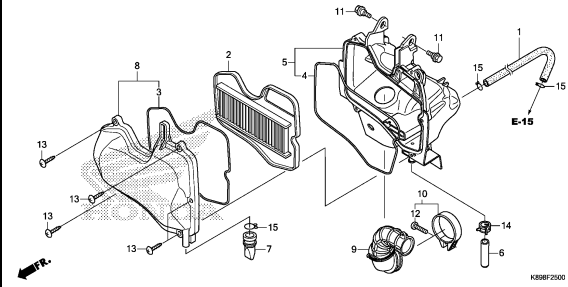
F-23-10

BODY COVER



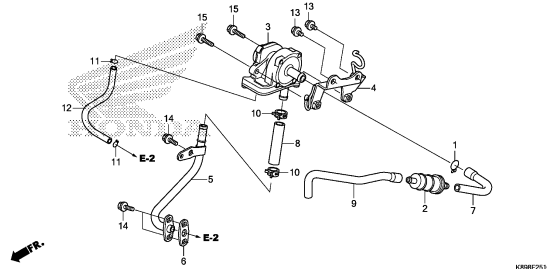
F-25

AIR CLEANER



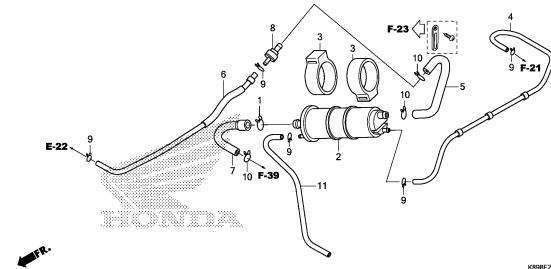
F-25-10

AIR SUCTION VALVE



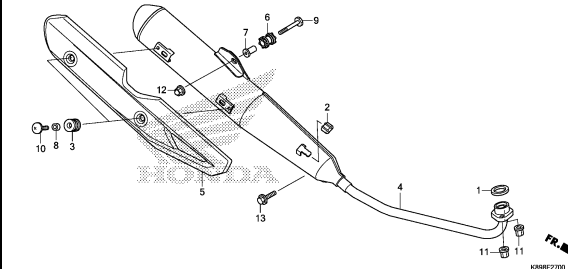
F-26

CANISTER



F-27

EXHAUST MUFFLER

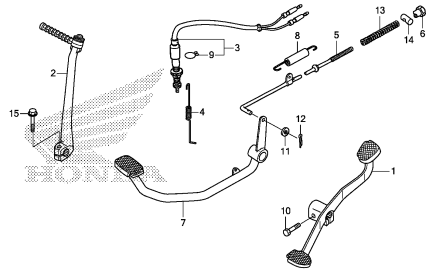


3

# FRAME GROUP

F-29

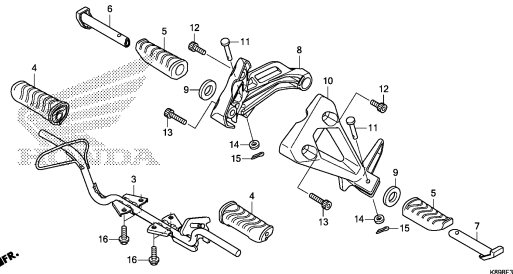
PEDAL/KICK STARTER ARM



K89RF2900

F-30

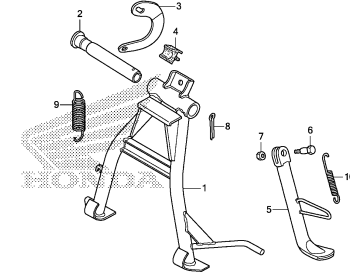
STEP



K89RF3000

F-31

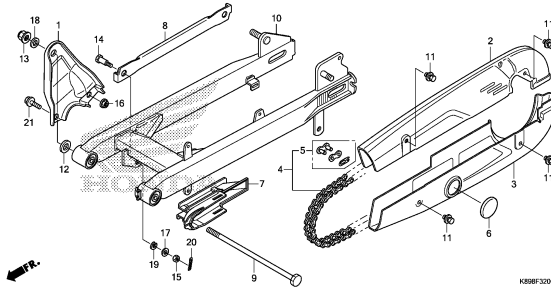
STAND



K89RF3100

F-32

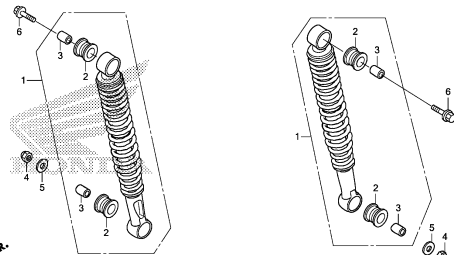
SWINGARM



K89RF3200

F-33

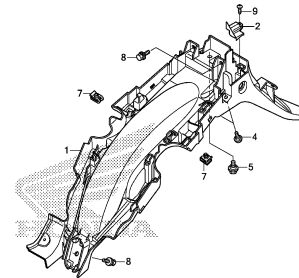
REAR CUSHION



K89RF3300

F-34

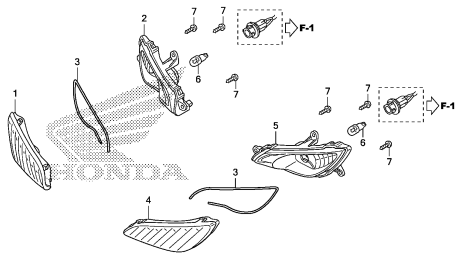
REAR FENDER



K89RF3400

F-35-10

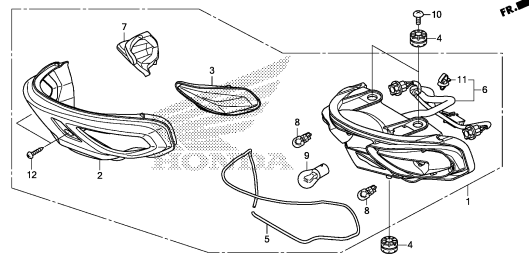
FRONT WINKER



K89RF3510

F-36-10

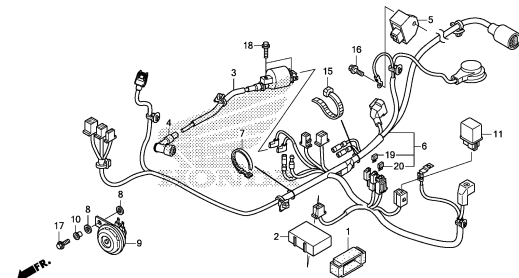
REAR COMBINATION LIGHT



K89RF3610

F-38

WIRE HARNESS

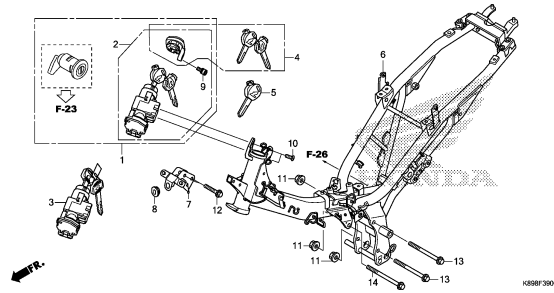


K89RF3800

# FRAME GROUP

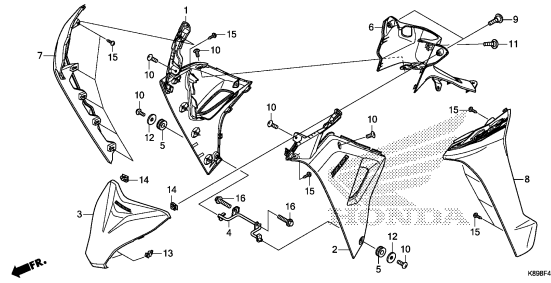
F-39

FRAME BODY



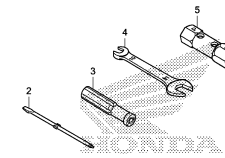
F-44

FRONT COVER/MAIN PIPE COVER



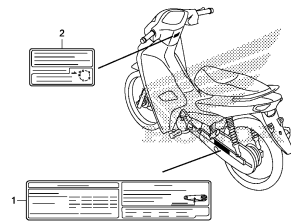
F-48

TOOLS



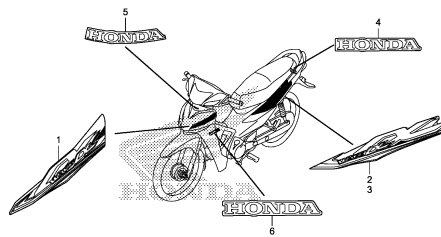
F-49

CAUTION LABEL



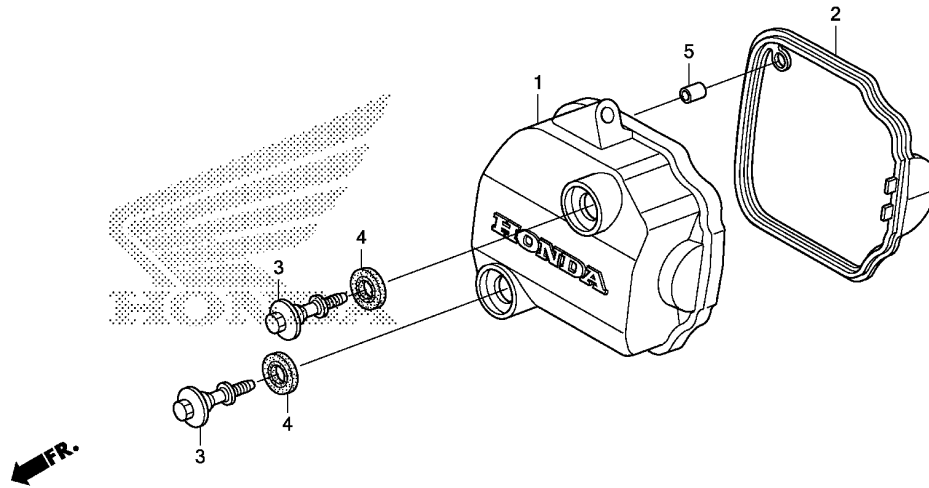
F-50

STRIPE/MARK



E-1

CYLINDER HEAD COVER



K898E0100

Ref. No.	L.O.N.	(Relative ref. Number) Description	F.R.T.
1	1111C4	COVER, CYLINDER HEAD .....	0.1
2	1111D2	GASKET, CYLINDER HEAD COVER ..	0.1

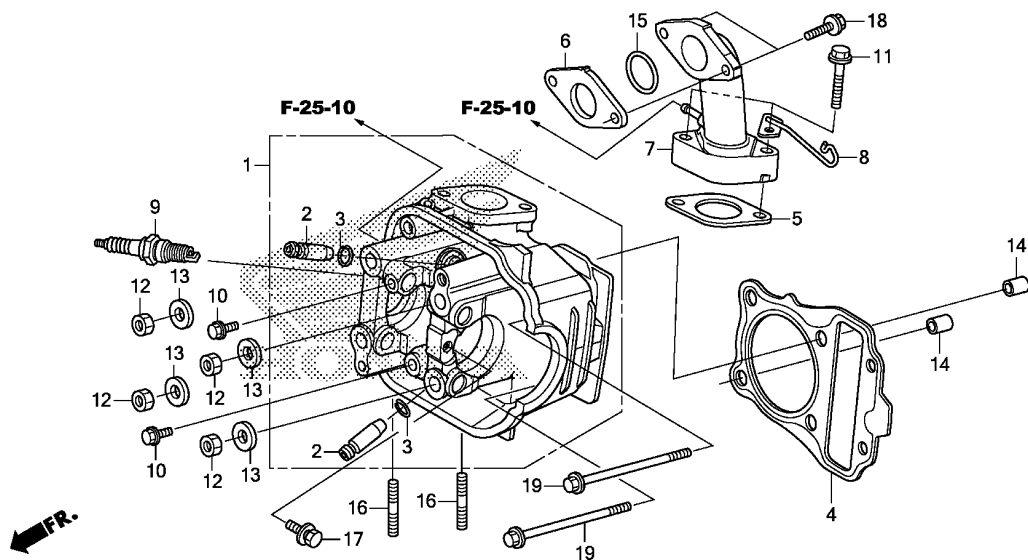
Ref. No.	Part No.	Description	Reqd. QTY	Serial No.	Parts catalogue code
			AFB 110MD H		
1	12310-KWW-740	COVER COMP., CYLINDER HEAD ..	1		
2	12391-K90-V01	GASKET, HEAD COVER .....	1		
3	90017-KWW-740	BOLT, HEAD COVER .....	2		
4	90543-MV9-670	RUBBER, MOUNTING .....	2		
5	90701-KFM-900	DOWEL PIN, SPECIAL, 8X14 .....	1		

2



# E-2

# CYLINDER HEAD



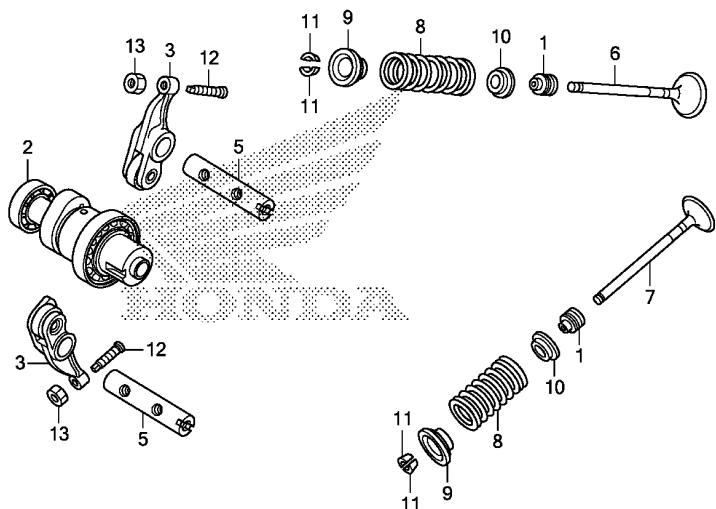
Ref. No.	L.O.N.	(Relative ref. Number) Description	F.R.T.
1	111106	HEAD, CYLINDER ..... .INCLUDES: Valve adjust and reface	1.8
2	1111L9	GUIDE, INTAKE VALVE(ONE) ..... .INCLUDES: Reaming .INCLUDES: Valve adjust and reface	1.8
	1111M0	GUIDE, EXHAUST VALVE(ONE) .... .INCLUDES: Reaming .INCLUDES: Valve adjust and reface	1.8
	1111M9	GUIDE, VALVE :FOR 1 VEHICLE .. .INCLUDES: Reaming .INCLUDES: Valve adjust and reface	2.1
4	111115	GASKET, CYLINDER HEAD ..... (15)	0.9
6	311131	INSULATOR, THROTTLE BODY/ CARBURETOR ..... (5)	0.3
7	111107	MANIFOLD, INTAKE .....	0.4
9	614130	PLUG, SPARK .....	0.1

Ref. No.	Part No.	Description	Reqd. QTY	Serial No.	Parts catalogue code
			AFB 110MD H		
1	12200-KWW-A80	HEAD COMP., CYLINDER .....	1		
2	12204-KVY-305	GUIDE, VALVE(O.S.) .....	2		
3	12206-KPL-900	CLIP, VALVE GUIDE .....	2		
4	12251-KWB-601	GASKET, CYLINDER HEAD .....	1		
5	16201-KWB-920	GASKET, CARBURETOR INSULATOR	1		
6	16211-KPH-900	INSULATOR, CARBURETOR .....	1		
7	17110-KWW-A80	PIPE COMP., IN. ....	1		
8	17640-K57-V00	CLAMPER, OVER FLOW .....	1		
9	31916-KWB-601	PLUG, SPARK(CPR6EA-9S)(NGK) -	1		
	31926-KWB-601	PLUG, SPARK(U20EPR9S)(DENSO)	1		
10	90002-KWB-600	BOLT, FLANGE, 5X12 .....	2		
11	90004-GHB-690	BOLT, FLANGE, 6X32(NSHF) ....	2		
12	90201-GCC-000	NUT, HEX., 7MM .....	4		
13	90402-KWW-740	WASHER, 7.2X16X2.5 .....	4		
14	90701-KFM-900	DOWEL PIN, SPECIAL, 8X14 ....	2		
15	91304-GB1-900	O-RING, 25X2.4 .....	1		
16	92900-08032-0E	BOLT, STUD, 8X32 .....	2		
17	93404-06012-00	BOLT-WASHER, 6X12 .....	1		
18	96001-06022-00	BOLT, FLANGE, 6X22 .....	2		
19	96001-06100-00	BOLT, FLANGE, 6X100 .....	2		



E-3

CAMSHAFT/VALVE



←FR.

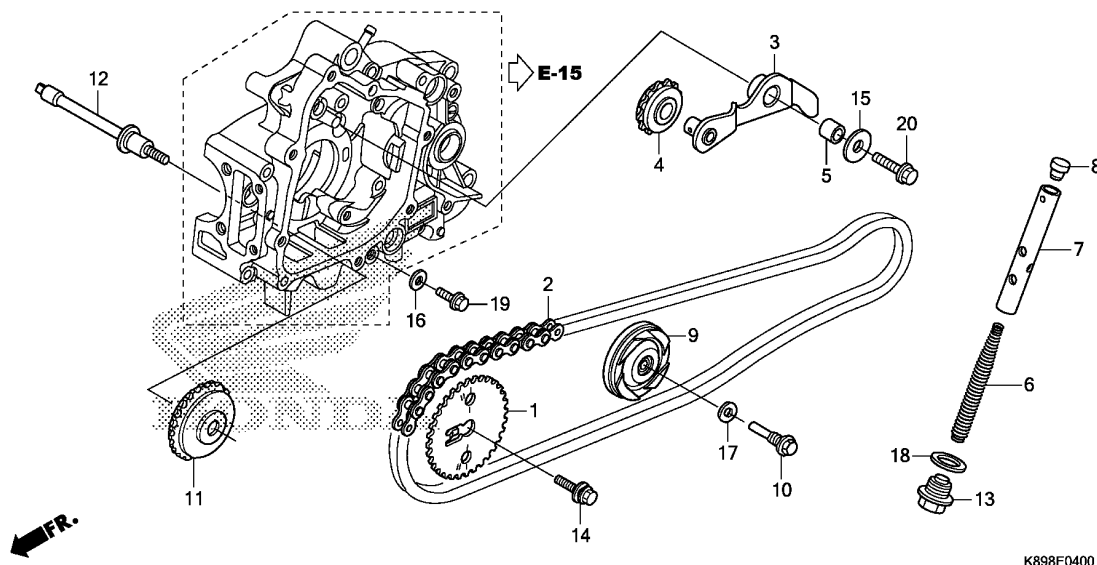
K898E0300

Ref. No.	L.O.N.	(Relative ref. Number) Description	F.R.T.
2	111118	CAMSHAFT ..... .INCLUDES: Valve adjustment (5)	1.1
3	1111K8	ARM, INTAKE VALVE ROCKER(ONE) .INCLUDES: Valve adjustment	1.1
	1111K9	ARM, EXHAUST VALVE ROCKER(ONE) .INCLUDES: Valve adjustment	1.1
	1111L8	ARM, VALVE ROCKER :FOR 1 VEHICLE .....	1.1
		.INCLUDES: Valve adjustment	
6	1111N0	VALVE, INTAKE(ONE) .....	1.4
		.INCLUDES: Refacing	
7	1111N1	VALVE, EXHAUST(ONE) .....	1.4
		.INCLUDES: Refacing	
	1111P0	VALVE :FOR 1 VEHICLE .....	1.6
		.INCLUDES: Refacing	
8	1111P2	INTAKE VALVE SPRING AND/OR STEM SEAL(ONE) .....	1.2
	1111P3	EXHAUST VALVE SPRING AND/OR STEM SEAL(ONE) .....	1.2
	1111Q2	VALVE SPRING AND/OR STEM SEAL :FOR 1 VEHICLE .....	1.3

Ref. No.	Part No.	Description	Reqd. QTY	Serial No.	Parts catalogue code
			AFB 110MD H		
1	12209-GB4-682	SEAL, VALVE STEM(ARAI) .....	2		
2	14100-KWW-A81	CAMSHAFT COMP. ....	1		
3	14430-KVB-S50	ARM COMP., IN. VALVE ROCKER ..	2		
5	14451-KVB-S50	SHAFT, ROCKER ARM .....	2		
6	14711-K90-V00	VALVE, IN. ....	1		
7	14721-K81-N00	VALVE, EX. ....	1		
8	14751-KWB-921	SPRING, VALVE(CHUO HATSUJO) ..	2		
	14751-KWW-B10	SPRING, VALVE .....	2		
9	14771-GB4-680	RETAINER, VALVE SPRING .....	2		
10	14775-KVY-900	SEAT, VALVE SPRING .....	2		
11	14781-MA6-000	COTTER, VALVE .....	4		
12	90012-KWW-740	SCREW, TAPPET ADJUSTING .....	2		
13	90206-001-000	NUT, TAPPET ADJUSTING .....	2		

# E-4

# CAM CHAIN/TENSIONER



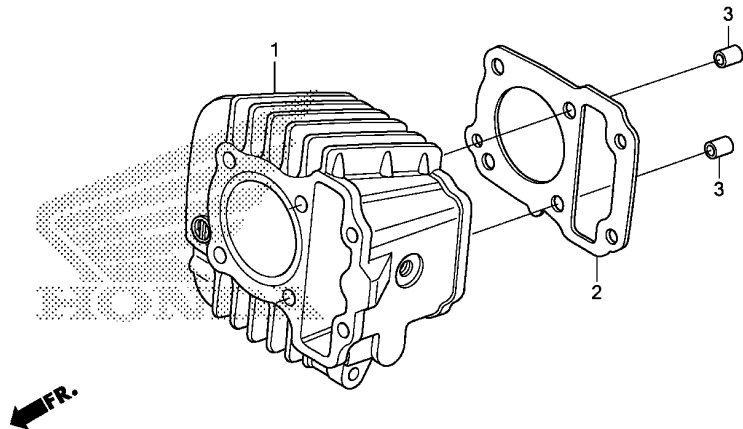
Ref. No.	L.O.N.	(Relative ref. Number) Description	F.R.T.
1	1111Q4	SPROCKET, CAM .....	0.5
2	110140	CHAIN, CAM .....	1.7
3	111151	ARM, CAM CHAIN TENSIONER .....	0.7
4	111148	ROLLER(S), CAM CHAIN TENSIONER (6,8)	0.7
7	1111Q3	ROD, CAM CHAIN TENSIONER PUSH	0.3
9	1111G4	ROLLER, CAM CHAIN GUIDE .....	1.0
11	1111J0	SPROCKET, CAM CHAIN GUIDE .....	3.0
		.INCLUDES: Engine removal and installation	
12	1111V3	BOLT, CAM CHAIN GUIDE ROLLER .	3.0
		.INCLUDES: Engine removal and installation	

Ref. No.	Part No.	Description	Reqd. QTY	Serial No.	Parts catalogue code
			AFB 110MD H		
1	14321-KWW-740	SPROCKET, CAM(32T) .....	1		
2	14401-K90-V01	CHAIN, CAM(90L)(KMC) .....	1		
3	14500-KWW-740	ARM COMP., CAM CHAIN TENSIONER	1		
4	14502-086-000	ROLLER, CAM CHAIN TENSIONER .	1		
5	14531-KWS-900	COLLAR, CAM CHAIN TENSIONER .	1		
6	14541-GB4-681	SPRING, CAM CHAIN TENSIONER .	1		
7	14550-GB0-911	ROD COMP., TENSIONER PUSH ...	1		
8	14566-086-030	HEAD, CAM CHAIN TENSIONER PUSH	1		
		ROD	1		
9	14610-KWB-600	ROLLER COMP., CAM CHAIN GUIDE	1		
10	14615-KFL-850	PIN, GUIDE ROLLER .....	1		
11	14670-KWB-600	SPROCKET COMP., CAM CHAIN GUIDE(23T)	1		
12	14675-KWW-740	SPINDLE, CAM CHAIN GUIDE	1		
		SPROCKET	1		
13	90081-035-000	BOLT, SEALING, 14MM .....	1		
14	90082-KWW-740	BOLT-WASHER, 8X22 .....	1		
15	90404-KWW-740	WASHER, 8.5X26X2.3 .....	1		
16	90463-ML7-000	WASHER, SEALING, 6.5MM .....	1		
17	90475-KWB-600	WASHER, 8MM .....	1		
18	90544-KF0-000	WASHER, SEALING, 14MM .....	1		
19	95701-06018-00	BOLT, FLANGE, 6X18 .....	1		
20	95701-08025-00	BOLT, FLANGE, 8X25 .....	1		



E-5

CYLINDER



K898E0500

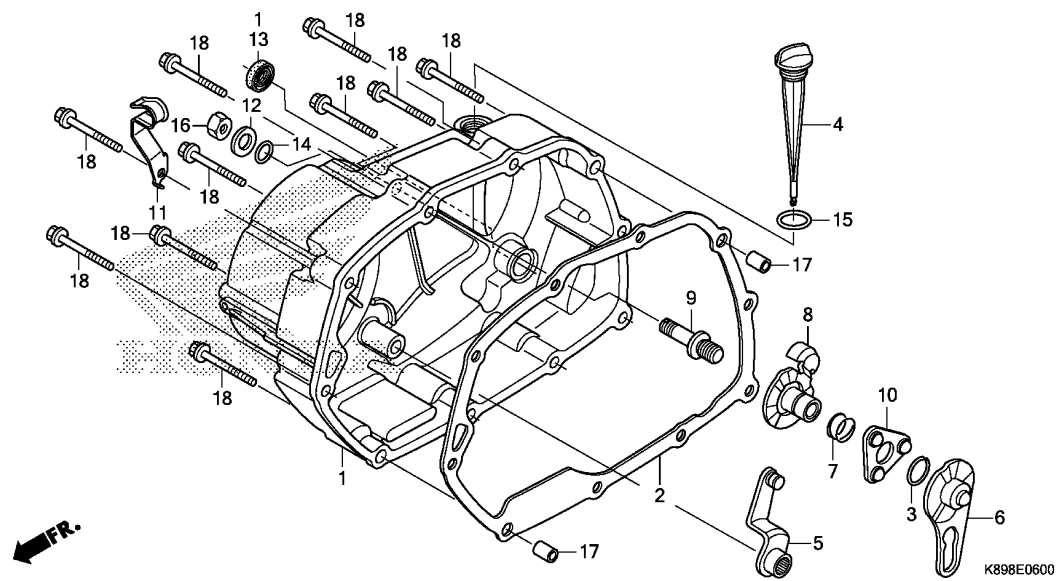
Ref. No.	L.O.N.	(Relative ref. Number) Description	F.R.T.
1	1111A5	CYLINDER .....	1.2
2	111102	GASKET, CYLINDER .....	1.1

Ref. No.	Part No.	Description	Reqd. QTY AFB 110MD H	Serial No.	Parts catalogue code
1	12100-KWB-920	CYLINDER COMP. ....	1		
2	12191-KWB-920	GASKET, CYLINDER .....	1		
3	90701-KFM-900	DOWEL PIN, SPECIAL, 8X14 ....	2		

2

# E-6

# RIGHT CRANKCASE COVER



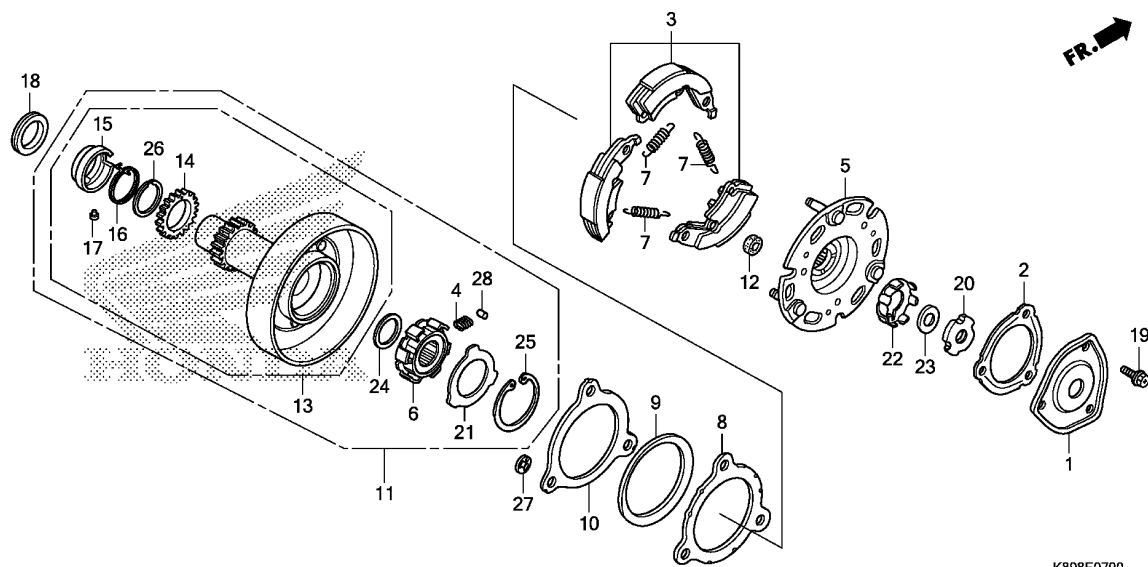
Ref. No.	L.O.N.	(Relative ref. Number) Description	F.R.T.
1	110159	COVER, CRANKCASE :RIGHT .....	0.8
2	110158	GASKET, CRANKCASE COVER :RIGHT	0.6
5	2121A7	LEVER, CLUTCH .....	0.7
6		(7,10)	
	2121A9	PLATE, CLUTCH CAM .....	0.6
8	2121C5	PLATE, CLUTCH CAM LIFTER .....	0.7
9	2121E3	SCREW, CLUTCH ADJUSTING .....	0.7
13	112105	OIL SEAL, KICK STARTER SPINDLE	0.7

Ref. No.	Part No.	Description	Reqd. QTY	Serial No.	Parts catalogue code
			AFB 110MD H		
1	11330-KWB-600	COVER COMP., R. CRANKCASE ...	1		
2	11394-KWB-920	GASKET, R. CRANKCASE COVER ..	1		
3	13115-GN5-910	CLIP, PISTON PIN, 13MM .....	1		
4	15651-K90-V00	GAUGE, OIL LEVEL .....	1		
5	22810-KTL-740	LEVER COMP., CLUTCH .....	1		
6	22823-K09-C00	PLATE, CLUTCH LIFTER CAM .....	1		
7	22825-KWW-740	SPRING, CAM PLATE SIDE .....	1		
8	22830-K09-C00	PLATE COMP., CLUTCH LIFTER ..	1		
9	22846-KPH-901	BOLT, CLUTCH ADJUSTING .....	1		
10	22860-KWW-740	RETAINER COMP., BALL .....	1		
11	32906-KWW-A00	CLIP, HIGH TENSION CORD & SENSOR CORD	1		
12	90485-040-000	WASHER, 8MM .....	1		
13	91202-KRS-971	OIL SEAL, 13.8X24X5 .....	1		
14	91303-001-010	O-RING, 8MM .....	1		
15	91307-035-000	O-RING, 18X3 .....	1		
16	94030-08000	NUT, HEX., 8MM .....	1		
17	94301-08140	DOWEL PIN, 8X14 .....	2		
18	96001-06040-00	BOLT, FLANGE, 6X40 .....	10		



E-7

ONE WAY CLUTCH



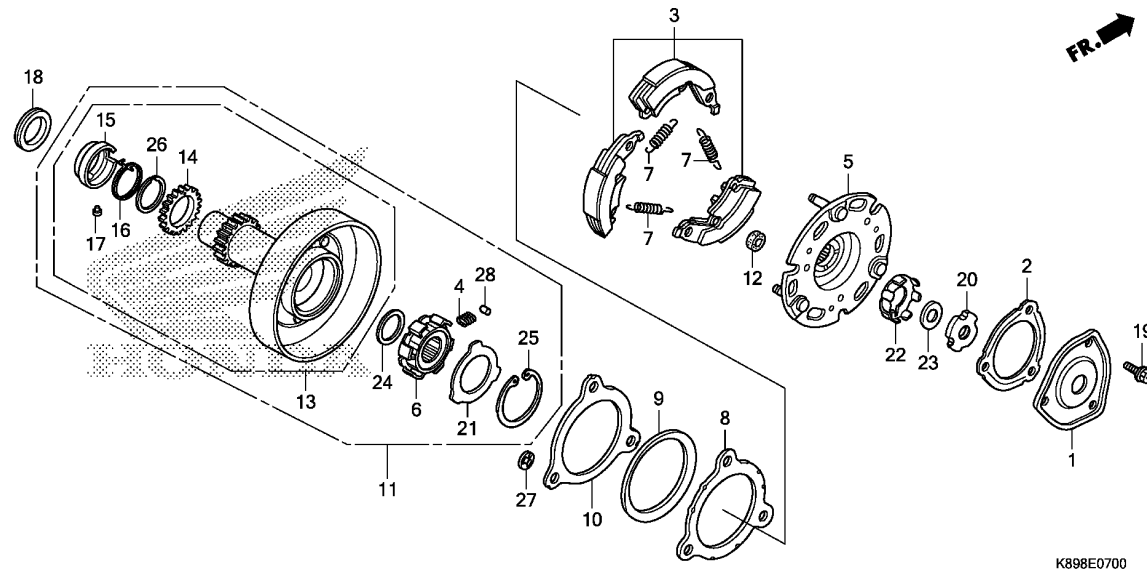
K898E0700

Ref. No.	L.O.N.	(Relative ref. Number) Description	F.R.T.
1		(2)	
2121D8		COVER, OIL FILTER .....	0.6
3		(7,12)	
2121A6		WEIGHT SET, CLUTCH .....	0.9
5		2121A2 PLATE, CLUTCH DRIVE .....	0.9
6		(4,28)	
2121D7		INNER, ONE-WAY CLUTCH .....	0.9
11		2121D9 OUTER, PRIMARY CLUTCH .....	0.9
13		211105 GEAR, PRIMARY DRIVE .....	1.0

Ref. No.	Part No.	Description	Reqd. QTY	Serial No.	Parts catalogue code
			AFB 110MD H		
1	15431-HF7-010	COVER, OIL FILTER .....	1		
2	15439-KPH-901	GASKET, OIL FILTER .....	1		
3	22535-K09-L00	WEIGHT SET, PRIMARY CLUTCH (F.C.C.)	1		
4	22606-GN5-910	SPRING, ONE WAY RETAINER .....	6		
5	22610-KWW-741	PLATE COMP., PRIMARY DRIVE (F.C.C.)	1		
6	22630-KWB-601	INNER COMP., ONE-WAY CLUTCH (F.C.C.)	1		
7	22641-KPH-900	SPRING, PRIMARY CLUTCH .....	3		
8	22642-K90-V01	WASHER, CLUTCH SIDE(F.C.C.)	1		
9	22643-KWW-741	SPRING, SIDE FRICTION(F.C.C.)	1		
10	22644-K90-V01	PLATE, CLUTCH SIDE(F.C.C.)	1		
11	22660-KWB-601	OUTER ASSY., PRIMARY CLUTCH (F.C.C.)	1		
12	22804-GB2-000	RUBBER, CLUTCH DAMPER .....	3		
13	23120-KTL-740	GEAR COMP., PRIMARY DRIVE (F.C.C.)	1		
14	23122-KTL-740	SUB GEAR(17T) .....	1		
15	23123-KFL-850	RETAINER, SPRING(F.C.C.)	1		
16	23124-GCE-900	SPRING, SUB GEAR(F.C.C.)	1		
17	23125-GN5-910	PIN(F.C.C.) .....	1		
18	23126-KWW-740	COLLAR, 19.1X30X4 .....	1		
19	90083-KFL-850	BOLT, SPECIAL FLANGE, 5X8	3		
20	90231-087-010	NUT, LOCK, 14MM .....	1		

E-7

ONE WAY CLUTCH



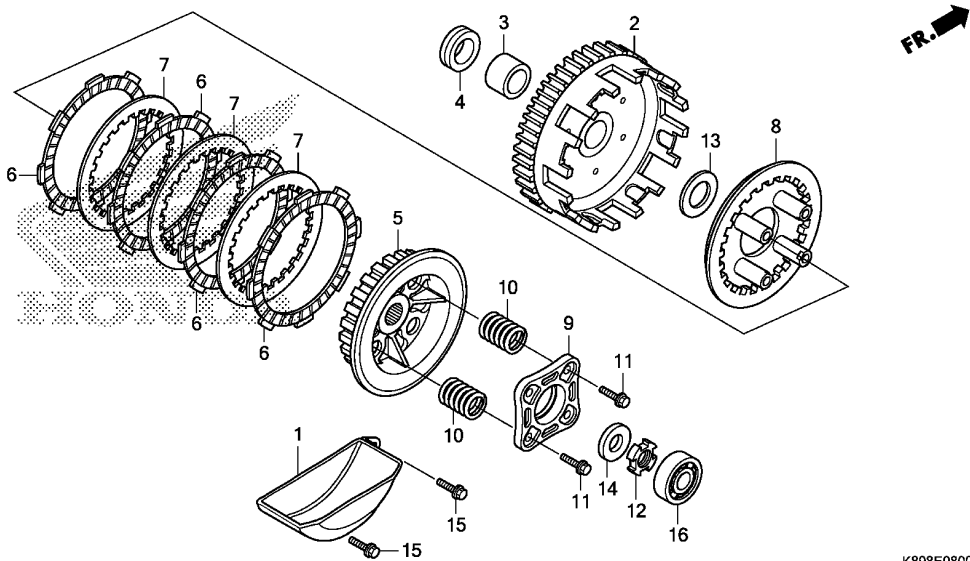
K898E0700

Ref. No.	Part No.	Description	Reqd. QTY		Serial No.	Parts catalogue code
			AFB	110MD		
21	90401-GB2-000	WASHER, 30X45X0.8	1			
22	90431-GN5-910	WASHER, LOCK	1			
23	90432-086-000	WASHER B, LOCK	1			
24	90433-KWB-601	WASHER, 17X23X1.5(F.C.C.)	1			
25	90455-GB2-000	CIRCLIP, INTERNAL, 45MM	1			
26	90603-POX-000	SET RING, 23MM	1			
27	90605-166-720	CIRCLIP, 7MM	3			
28	91101-GB2-000	ROLLER, 5X8	6			



E-8

CLUTCH



K898E0800

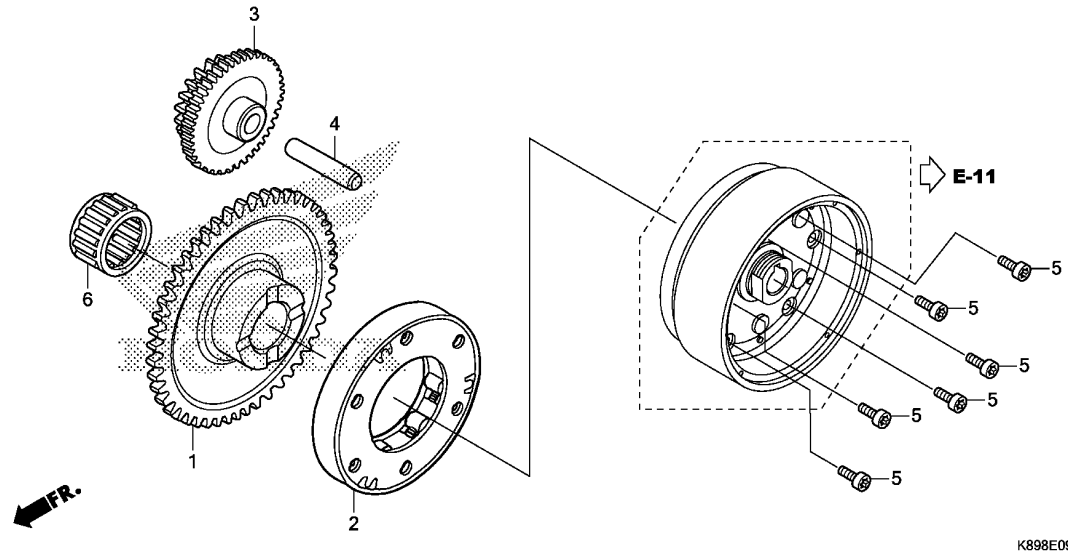
Ref. No.	L.O.N.	(Relative ref. Number) Description	F.R.T.
1	1131B9	SEPARATOR, OIL .....	0.9
2	2121A0	OUTER, CLUTCH .....	0.9
5	212112	CENTER, CLUTCH .....	1.1
6	2121A1	DISC, CLUTCH FRICTION .....	1.1
		.NOTE: Same time for two units or more	
8	2121A3	PLATE, CLUTCH PRESSURE .....	1.1
9	2121A4	PLATE, CLUTCH LIFTER .....	0.9
10	212107	SPRING, CLUTCH .....	0.9
		.NOTE: Same time for two units or more	
16	2121B4	BEARING, CLUTCH LIFTER .....	0.7

Ref. No.	Part No.	Description	Reqd. QTY	Serial No.	Parts catalogue code
			AFB 110MD H		
1	15661-GN5-910	PLATE, OIL SEPARATOR .....	1		
2	22110-K09-L01	OUTER COMP., CLUTCH(69T) ....	1		
3	22115-KPH-900	GUIDE, CLUTCH OUTER .....	1		
4	22116-KWW-740	COLLAR, CLUTCH OUTER .....	1		
5	22121-K09-L01	CENTER, CLUTCH .....	1		
6	22201-K09-L01	DISK, CLUTCH FRICTION .....	4		
7	22311-107-000	PLATE, CLUTCH .....	3		
8	22350-115-020	PLATE, CLUTCH PRESSURE .....	1		
9	22361-KFM-900	PLATE, CLUTCH LIFTER .....	1		
10	22401-K09-L01	SPRING, CLUTCH .....	4		
11	90050-KFL-850	BOLT, SPECIAL FLANGE, 6X25 ..	4		
12	90231-198-010	NUT B, LOCK, 14MM .....	1		
13	90403-KPH-900	WASHER, THRUST, 17MM .....	1		
14	90462-KWW-740	WASHER, 14.1MM .....	1		
15	95701-06020-00	BOLT, FLANGE, 6X20 .....	2		
16	96100-62000-00	BEARING, RADIAL BALL, 6200 ..	1		



# E-9

# STARTING CLUTCH



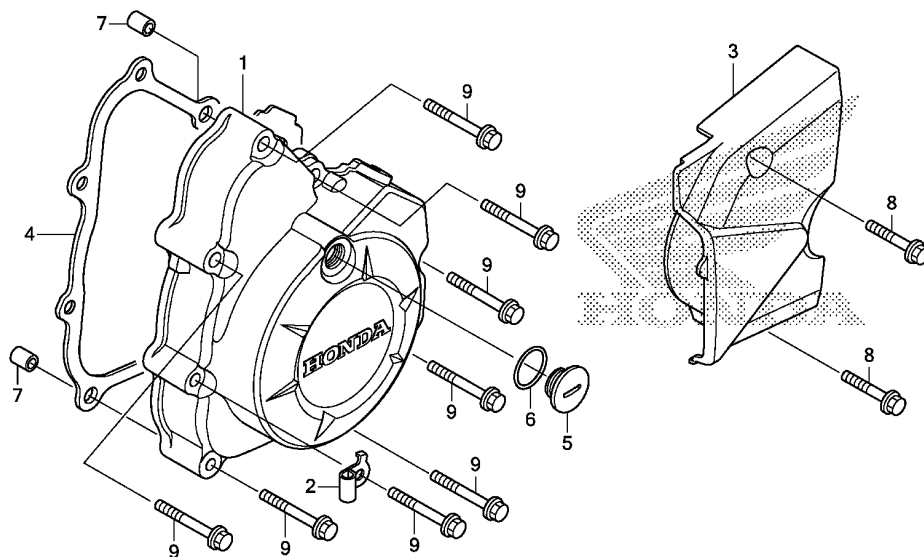
Ref. No.	L.O.N.	(Relative ref. Number) Description	F.R.T.
1	612120	(6) GEAR, STARTER DRIVEN .....	0.6
2	6121A2	CLUTCH, STARTING ONE WAY .....	0.7
3	612125	GEAR, STARTER REDUCTION .....	0.4

Ref. No.	Part No.	Description	Reqd. QTY	Serial No.	Parts catalogue code
1	28111-KWW-740	GEAR, STARTER DRIVEN(55T) ...	1		
2	28120-KPH-701	CLUTCH ASSY., ONE WAY(EXEDY)	1		
3	28130-KWW-740	GEAR COMP., STARTER REDUCTION (55T/14T)	1		
4	28132-KPH-900	SHAFT, REDUCTION GEAR .....	1		
5	90085-KTC-920	BOLT, SOCKET, 6X14 .....	6		
6	91011-KWW-741	BEARING, NEEDLE, 21X27X18(NTN)	1		



# E-10

# LEFT CRANKCASE COVER



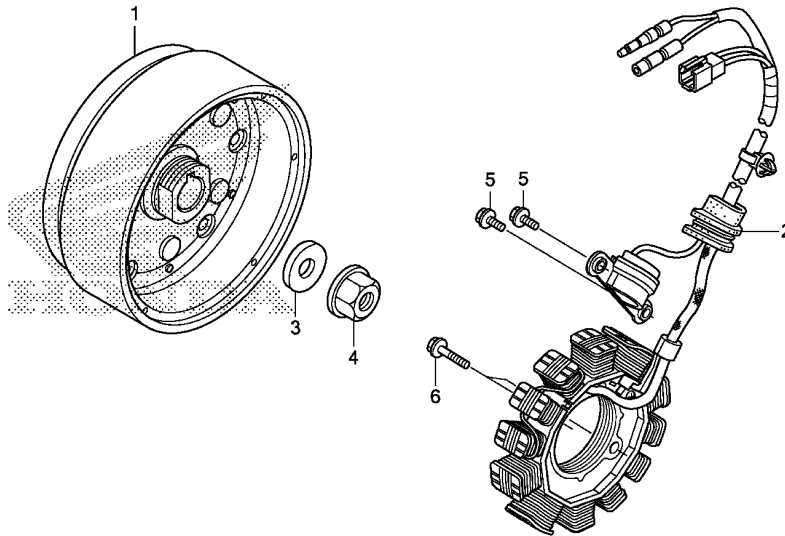
K898E1000

Ref. No.	L.O.N.	(Relative ref. Number) Description	F.R.T.
1	1101A6	COVER, CRANKCASE :LEFT .....	0.5
3	1101B0	COVER, CRANKCASE :LEFT REAR ..	0.1
4	1101A3	GASKET, CRANKCASE COVER :LEFT	0.4

Ref. No.	Part No.	Description	Reqd. QTY	Serial No.	Parts catalogue code
			AFB 110MD H		
1	11341-KWB-600	COVER, L. CRANKCASE .....	1		
2	16236-K89-V00	CLAMPER, OVER FLOW .....	1		
3	11360-K89-V00	COVER COMP., L. RR. ....	1		
4	11395-KWB-920	GASKET, L. CRANKCASE COVER ..	1		
5	90084-GN5-640	CAP, A.C. GENERATOR .....	1		
6	91303-377-000	O-RING, 13.8X2.5 .....	1		
7	94301-08140	DOWEL PIN, 8X14 .....	2		
8	96001-06025-00	BOLT, FLANGE, 6X25 .....	2		
9	96001-06035-00	BOLT, FLANGE, 6X35 .....	8		

# E-11

# GENERATOR



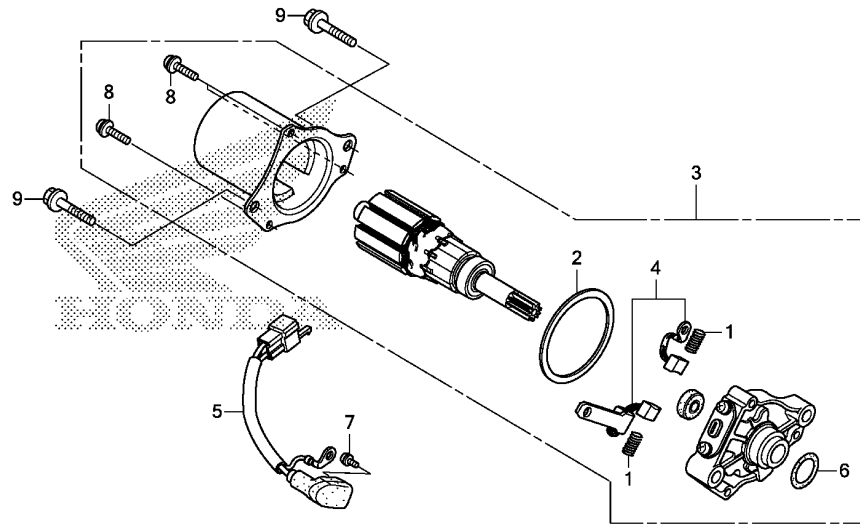
Ref. No.	L.O.N.	(Relative ref. Number) Description	F.R.T.
1	613105	ROTOR OR FLYWHEEL .....	0.7
2	6131A3	STATOR .....	0.7

Ref. No.	Part No.	Description	Reqd. QTY	Serial No.	Parts catalogue code
			AFB 110MD H		
1	31110-K89-V01	FLYWHEEL COMP.(MITSUBA) .....	1		
2	31120-K89-V01	STATOR COMP.(MITSUBA) .....	1		
3	90403-KN6-930	WASHER, 10X24 .....	1		
4	94050-10000	NUT, FLANGE, 10MM .....	1		
5	96001-06016-00	BOLT, FLANGE, 6X16 .....	2		
6	96001-06020-00	BOLT, FLANGE, 6X20 .....	2		



# E-13

# STARTER MOTOR



K898E1300

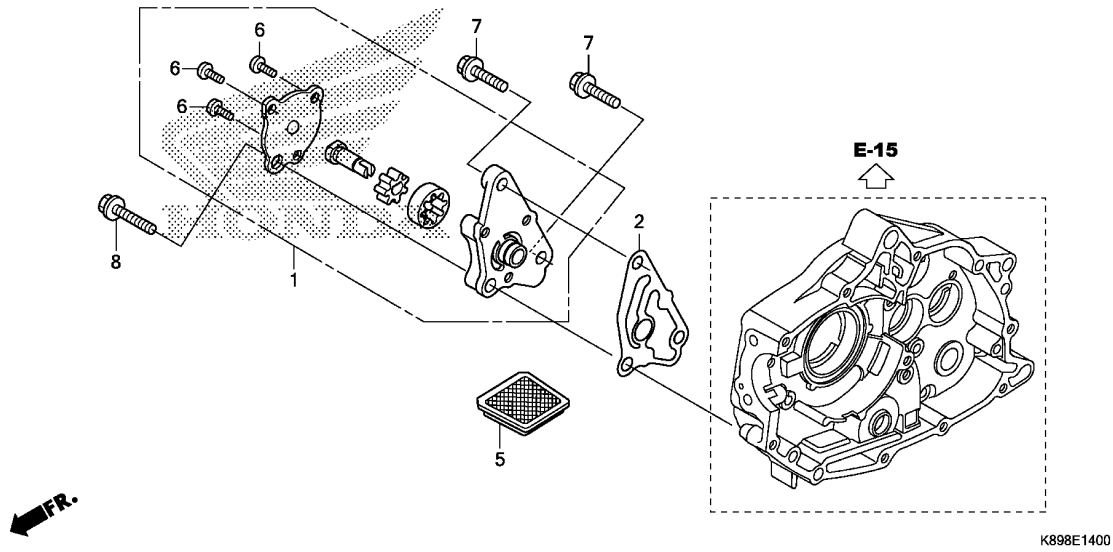
Ref. No.	L.O.N.	(Relative ref. Number) Description	F.R.T.
3		(6)	
612105		MOTOR, STARTING .....	0.7
4		(1,2)	
6121A4		TERMINAL, BRUSH(STARTER) .....	0.9
6111A5		SUB HARNESS, STARTER .....	0.5

Ref. No.	Part No.	Description	Reqd. QTY	Serial No.	Parts catalogue code
			AFB 110MD H		
1	31204-KG8-004	SPRING, CARBON BRUSH .....	2		
2	31206-GW3-004	PACKING .....	1		
3	31210-KWB-921	MOTOR UNIT, STARTER .....	1		
4	32101-GW3-780	BRUSH SET .....	1		
5	32105-KWW-A81	SUB CORD, STARTER MOTOR (MITSUBA)	1		
6	91309-KEE-630	O-RING .....	1		
7	93892-04006-08	SCREW-WASHER, 4X6 .....	1		
8	93892-05016-08	SCREW-WASHER, 5X16 .....	3		
9	96001-06032-00	BOLT, FLANGE, 6X32 .....	2		

2

# E-14

# OIL PUMP



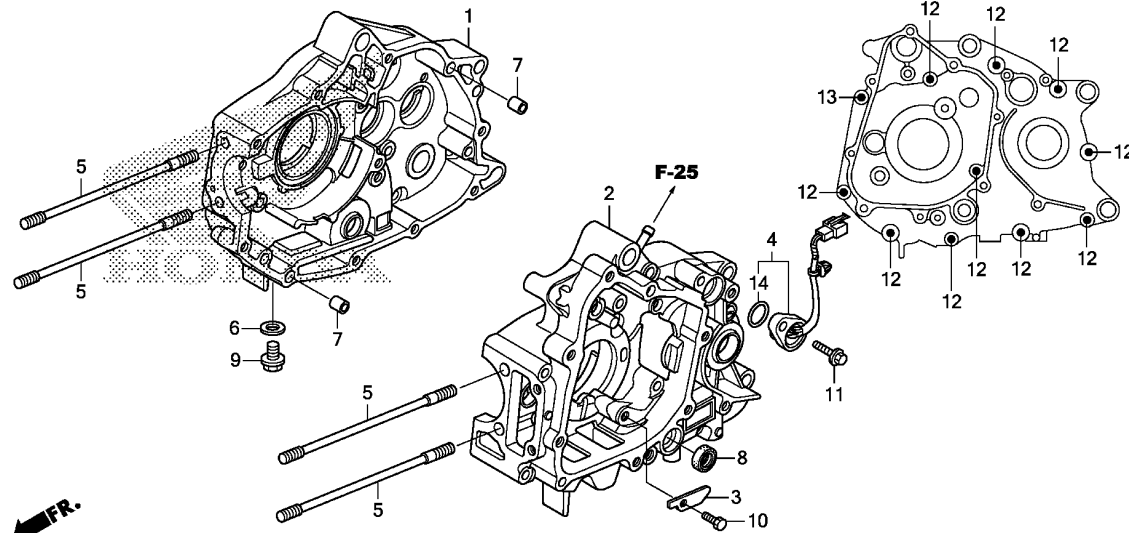
Ref. No.	L.O.N.	(Relative ref. Number) Description	F.R.T.
1		(2)	
113105		PUMP ASSY., OIL .....	0.7
5	1131B5	SCREEN, OIL FILTER .....	0.6

Ref. No.	Part No.	Description	Reqd. QTY	Serial No.	Parts catalogue code
			AFB 110MD H		
1	15100-KVR-C00	PUMP ASSY., OIL .....	1		
2	15119-KWB-600	GASKET, OIL PUMP BODY .....	1		
5	15421-035-010	SCREEN, OIL FILTER .....	1		
6	93500-05010-0A	SCREW, PAN, 5X10 .....	3		
7	96001-06016-00	BOLT, FLANGE, 6X16 .....	2		
8	96001-06022-00	BOLT, FLANGE, 6X22 .....	1		



# E-15

# CRANKCASE

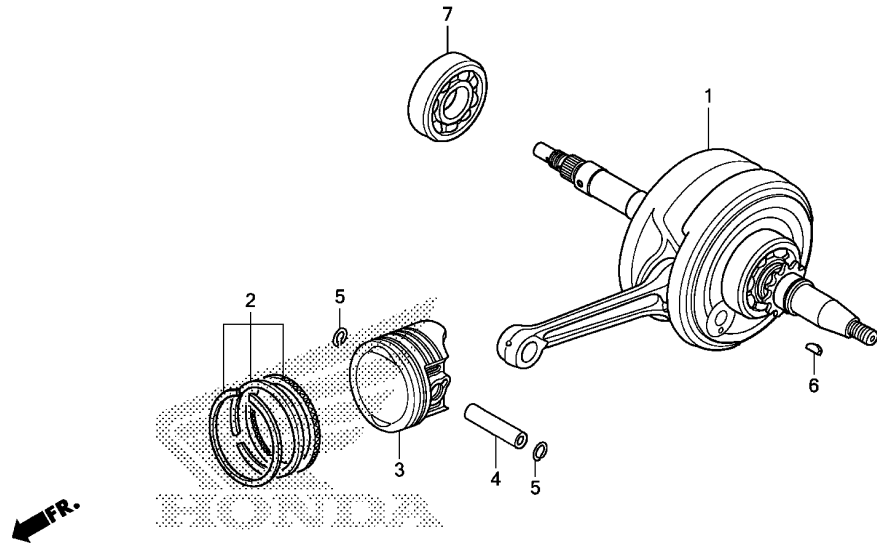


Ref. No.	L.O.N.	(Relative ref. Number) Description	F.R.T.
1	110120	CRANKCASE :RIGHT ..... .INCLUDES: Engine removal and installation	4.0
2	110115	CRANKCASE :LEFT ..... .INCLUDES: Engine removal and installation	3.3
	1101A2	CRANKCASE :BOTH ..... .INCLUDES: Engine removal and installation	4.3
4	615125	SWITCH, GEAR CHANGE .....	0.6
8	1101F9	OIL SEAL, GEARSHIFT SPINDLE ..	1.2

Ref. No.	Part No.	Description	Reqd. QTY	Serial No.	Parts catalogue code
			AFB 110MD H		
1	11100-KWW-740	CRANKCASE COMP., R. ....	1		
2	11200-KWW-740	CRANKCASE COMP., L. ....	1		
3	11218-KWW-740	PLATE, OIL STOPPER .....	1		
4	35759-K57-V01	CONTACT ASSY., CHANGE SWITCH	1		
5	90031-KWB-600	BOLT, STUD, 7X180.5 .....	4		
6	90407-259-000	PACKING, DRAIN COCK, 12.5X20	1		
7	90703-HC4-000	DOWEL PIN, 10X14 .....	2		
8	91208-KWB-601	OIL SEAL, 11.6X22X7 .....	1		
9	92800-12000	BOLT, DRAIN PLUG, 12MM .....	1		
10	93101-06014-0A	BOLT, HEX., 6X14 .....	1		
11	95701-06018-00	BOLT, FLANGE, 6X18 .....	1		
12	96001-06060-00	BOLT, FLANGE, 6X60 .....	10		
13	96001-06075-00	BOLT, FLANGE, 6X75 .....	1		
14	91301-KWW-B22	O-RING, 21X2.4 .....	1		

# E-16

# CRANKSHAFT/PISTON



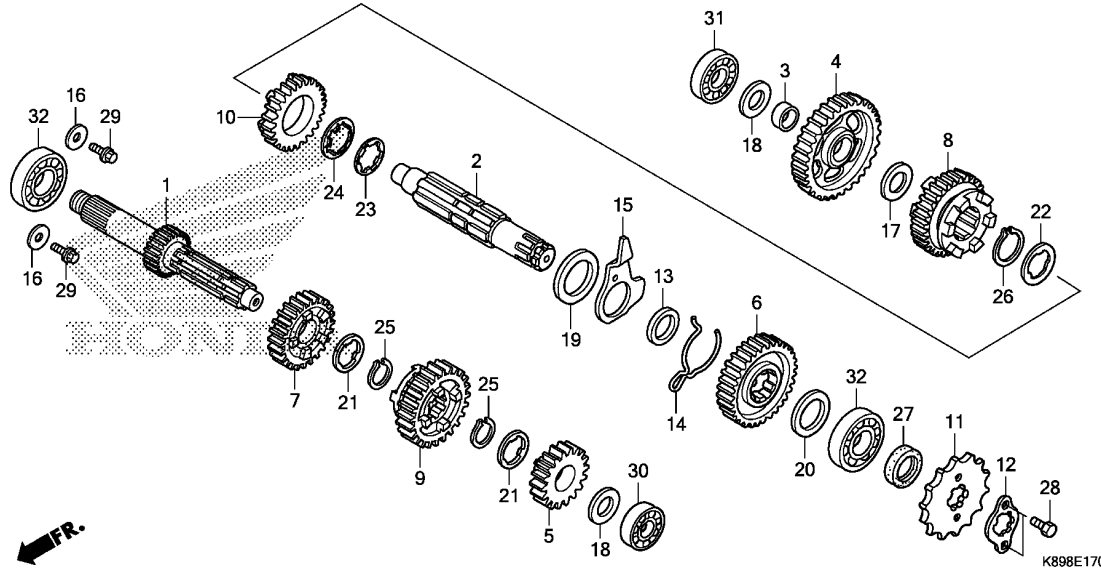
Ref. No.	L.O.N.	(Relative ref. Number) Description	F.R.T.
1	1101B5	CRANKSHAFT ..... .INCLUDES: Engine removal and installation (2,4,5)	3.7
3	111103	PISTON RING AND/OR PISTON(ONE)	1.3
7	1101B7	BEARING, CRANKSHAFT :RIGHT ... .INCLUDES: Engine removal and installation	3.6

Ref. No.	Part No.	Description	Reqd. QTY	Serial No.	Parts catalogue code
			AFB 110MD H		
1	13000-KWW-740	CRANKSHAFT COMP. ....	1		
2	13011-KWW-740	RING SET, PISTON(STD.) (RIKEN)	1		
	13021-KWW-740	RING SET, PISTON(0.25) (RIKEN)	(1)		
	13031-KWW-740	RING SET, PISTON(0.50) (RIKEN)	(1)		
	13041-KWW-740	RING SET, PISTON(0.75) (RIKEN)	(1)		
	13051-KWW-740	RING SET, PISTON(1.00) (RIKEN)	(1)		
3	13101-KWW-740	PISTON(STD.) .....	1		
	13102-KWW-740	PISTON(0.25) .....	(1)		
	13103-KWW-740	PISTON(0.50) .....	(1)		
	13104-KWW-740	PISTON(0.75) .....	(1)		
	13105-KWW-740	PISTON(1.00) .....	(1)		
4	13111-087-000	PIN, PISTON .....	1		
5	13115-GN5-910	CLIP, PISTON PIN, 13MM .....	2		
6	90741-003-010	KEY, WOODRUFF, 4MM .....	1		
7	91001-KPH-901	BEARING, RADIAL BALL, 63/22 (FUJIKOSHI)	1		
	91001-KWB-601	BEARING, RADIAL BALL, 63/22 (NTN)	1		



# E-17

# TRANSMISSION



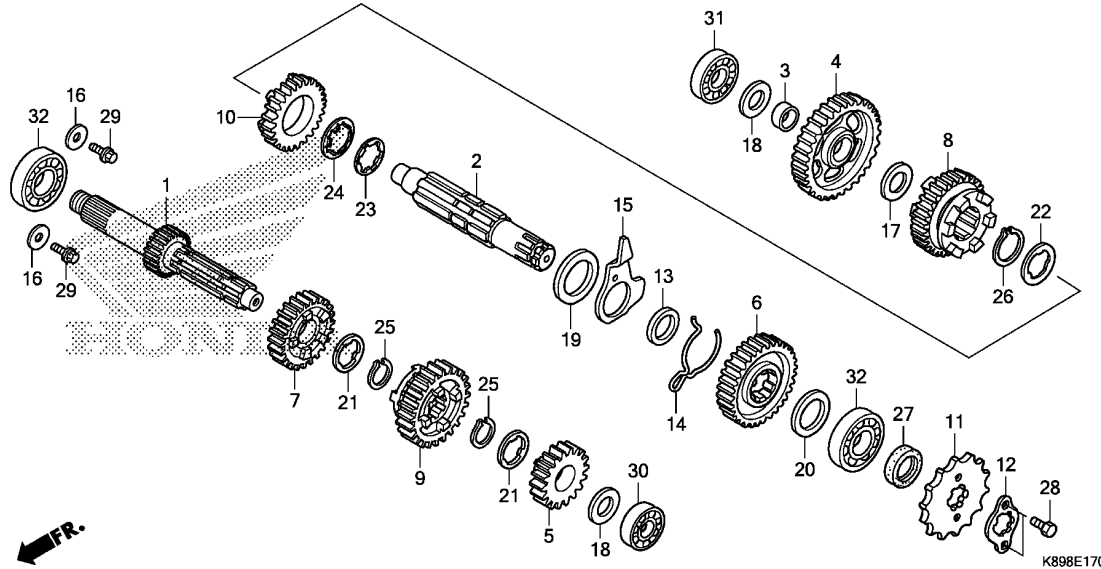
Ref. No.	L.O.N.	(Relative ref. Number) Description	F.R.T.
1		(5,7,9) MAINSHAFT, TRANSMISSION .....	3.1
		.INCLUDES: Engine removal and installation	
2		210141A .Replace countershaft add ....	0.2
2		(4,6,8,10) COUNTERSHAFT, TRANSMISSION ...	3.1
		.INCLUDES: Engine removal and installation	
		210142A .Replace mainshaft add .....	0.2
11		213135 SPROCKET, DRIVE .....	0.2
30		2101C2 BEARING, MAINSHAFT :LEFT .....	3.1
		.INCLUDES: Engine removal and installation	
31		2101C8 BEARING, COUNTERSHAFT :RIGHT .	3.8
		.INCLUDES: Engine removal and installation	
32		2101C5 BEARING, MAINSHAFT :RIGHT ....	3.8
		.INCLUDES: Engine removal and installation	
		2101C6 BEARING, MAINSHAFT :BOTH .....	4.0
		.INCLUDES: Engine removal and installation	
+		2101C7 BEARING, COUNTERSHAFT :LEFT ..	3.1

Ref. No.	Part No.	Description	Reqd. QTY	Serial No.	Parts catalogue code
			AFB 110MD H		
1	23211-K03-M60	MAINSHAFT(13T) .....	1		
2	23221-K03-M60	COUNTERSHAFT .....	1		
3	23415-KWW-A80	BUSH, 15MM .....	1		
4	23421-KZV-J00	GEAR, COUNTERSHAFT FIRST(34T) ..	1		
5	23431-K03-M60	GEAR, MAINSHAFT SECOND(18T) ..	1		
6	23441-KWW-740	GEAR, COUNTERSHAFT SECOND(28T) ..	1		
7	23451-K03-M60	GEAR, MAINSHAFT THIRD(22T) ..	1		
8	23461-KWW-740	GEAR, COUNTERSHAFT THIRD(25T) ..	1		
9	23471-K03-H10	GEAR, MAINSHAFT FOURTH(24T) ..	1		
10	23481-K03-H10	GEAR, COUNTERSHAFT FOURTH(22T) ..	1		
11	23801-KTM-900	SPROCKET, DRIVE(14T) .....	1		
12	23802-GN5-910	PLATE, FIXING .....	1		
13	23911-KPH-900	COLLAR, LOCK PLATE .....	1		
14	24305-KWB-600	SPRING, CHANGE FRICTION .....	1		
15	24306-KWB-600	PLATE, DRUM LOCK .....	1		
16	90407-KWW-740	WASHER, 6.2X19X2.3 .....	2		
17	90412-187-000	WASHER, THRUST, 15MM .....	1		
18	90412-KPH-900	WASHER, SPECIAL, 12X23 .....	2		
19	90452-413-000	WASHER, THRUST, 20MM .....	1		
20	90452-GB4-770	WASHER, THRUST, 17MM .....	1		
21	90461-035-000	WASHER, SPLINE, 17MM .....	2		
22	90461-459-010	WASHER, SPLINE, 20MM .....	1		
23	90461-KWB-600	WASHER, SPLINE, 20MM .....	1		
24	90465-KWB-600	WASHER, LOCK, 20MM .....	1		
25	90601-KYY-900	CIRCLIP, 17MM .....	2		



# E-17

# TRANSMISSION



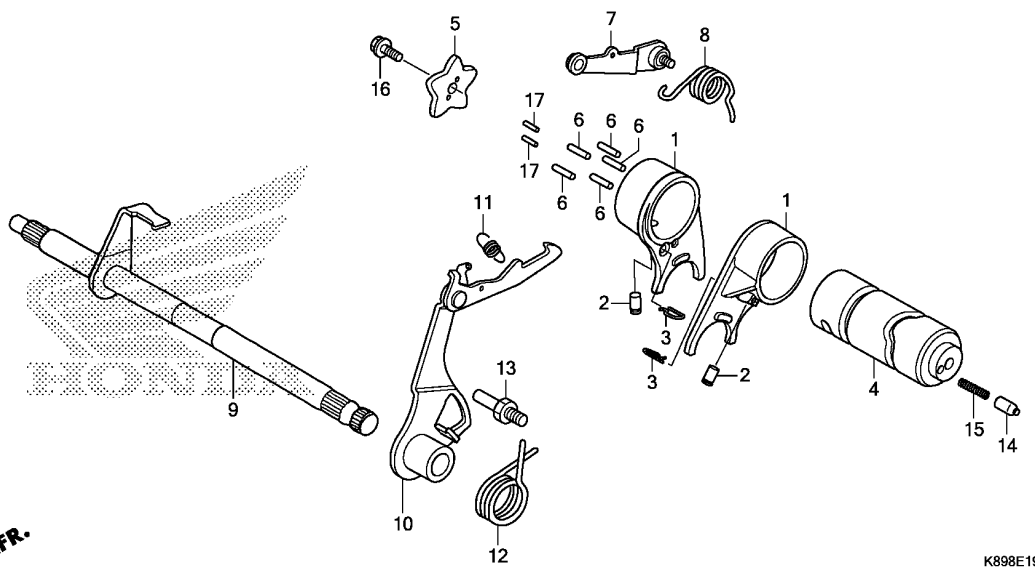
Ref. No.	L.O.N.	(Relative ref. Number) Description	F.R.T.
+32		.INCLUDES: Engine removal and installation	
2101C9		BEARING, COUNTERSHAFT :BOTH ..	4.0
2101D4		BEARING, MAINSHAFT AND COUNTERSHAFT :ALL .....	4.2
		.INCLUDES: Engine removal and installation	

Ref. No.	Part No.	Description	Reqd. QTY	Serial No.	Parts catalogue code
			AFB 110MD H		
26	90602-KYY-900	CIRCLIP, 20MM .....	1		
27	91204-KWB-601	OIL SEAL, 17X29X5 .....	1		
28	92101-06010-0A	BOLT, HEX., 6X10 .....	2		
29	95701-06012-00	BOLT, FLANGE, 6X12 .....	2		
30	96100-60010-00	BEARING, RADIAL BALL, 6001 ..	1		
31	96100-62010-00	BEARING, RADIAL BALL, 6201 ..	1		
32	96100-62030-00	BEARING, RADIAL BALL, 6203 ..	2		



E-19

GEARSHIFT DRUM



FR.

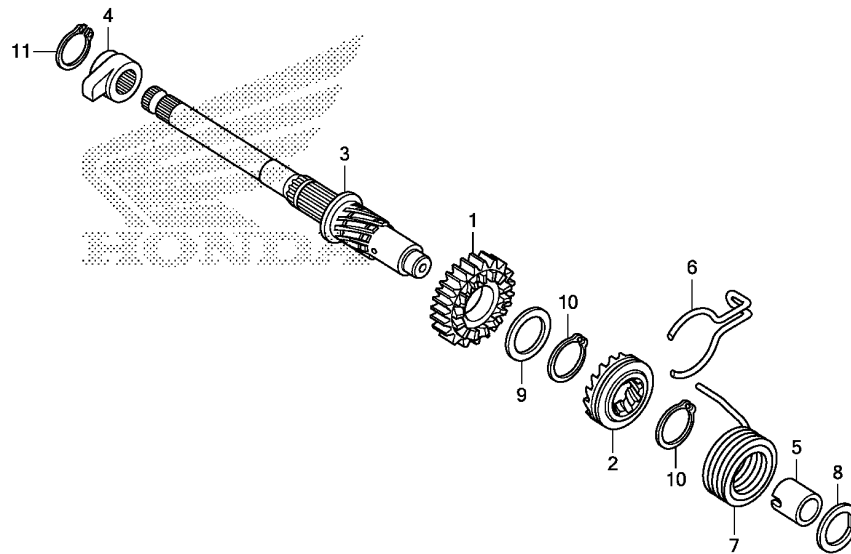
K898E1900

Ref. No.	L.O.N.	(Relative ref. Number) Description	F.R.T.
1	210112	(2,3) FORK, GEARSHIFT ..... .INCLUDES: Engine removal and installation .NOTE: Same time for two units	3.1
4	2101A9	DRUM, GEARSHIFT ..... .INCLUDES: Engine removal and installation	3.1
5	2101D6	PLATE, GEARSHIFT DRUM STOPPER (8)	1.0
7	210125	STOPPER OR SPRING, SHIFT DRUM	1.0
9	210122	SPINDLE, GEARSHIFT ..... (12)	1.1
10	210127	ARM, GEARSHIFT .....	1.1

Ref. No.	Part No.	Description	Reqd. QTY	Serial No.	Parts catalogue code
			AFB 110MD H		
1	24211-KWW-741	FORK, GEARSHIFT .....	2		
2	24261-121-742	PIN, GEARSHIFT FORK GUIDE ...	2		
3	24263-028-000	CLIP, GEARSHIFT FORK GUIDE PIN	2		
4	24301-KWW-741	DRUM, GEARSHIFT .....	1		
5	24411-KWW-740	PLATE, GEARSHIFT DRUM STOPPER	1		
6	24421-200-000	PIN, GEARSHIFT DRUM .....	5		
7	24430-GB4-772	ARM COMP., SHIFT DRUM STOPPER	1		
8	24435-KWW-C00	SPRING, SHIFT DRUM STOPPER ..	1		
9	24610-KWW-740	SPINDLE COMP., GEARSHIFT ....	1		
10	24630-KWB-600	ARM COMP., GEARSHIFT .....	1		
11	24641-041-000	SPRING, GEARSHIFT ARM .....	1		
12	24651-041-000	SPRING, GEARSHIFT RETURN ....	1		
13	24652-KPH-900	PIN, SHIFT RETURN SPRING ....	1		
14	35751-KVL-V31	CAP, CHANGE SWITCH CONTACT ..	1		
15	35752-KPH-900	SPRING, CHANGE SWITCH CONTACT	1		
16	90071-171-010	BOLT, KNOCK, 6MM .....	1		
17	96220-30100	ROLLER, 3X10 .....	2		

# E-20

# KICK STARTER SPINDLE



K898E2000

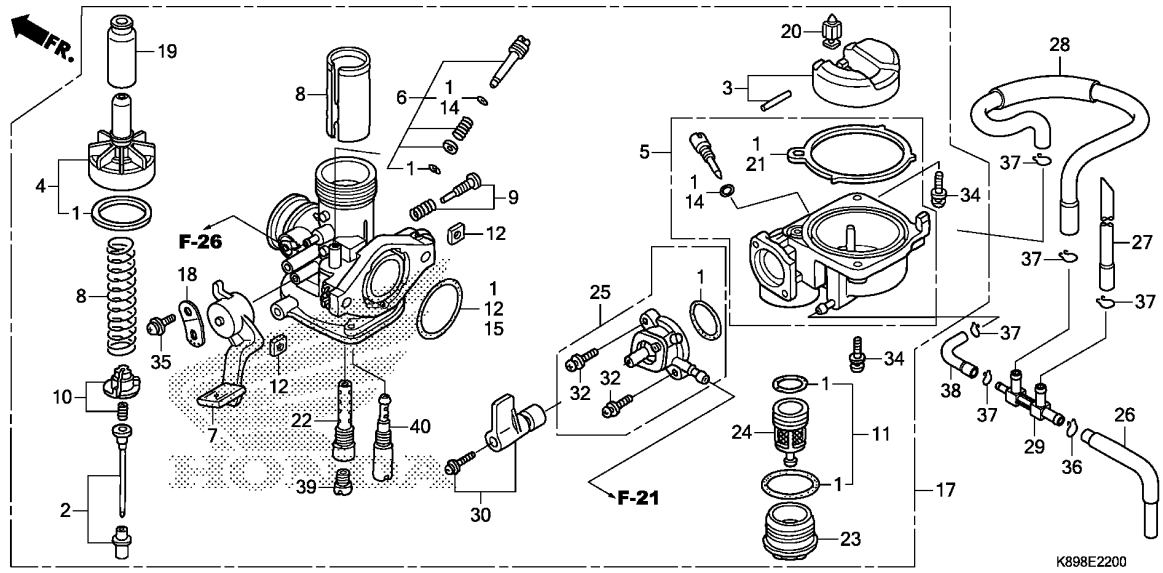
Ref. No.	L.O.N.	(Relative ref. Number) Description	F.R.T.
1		(2,6)	
1121A0		PINION, KICK STARTER ..... .INCLUDES: Engine removal and installation	3.0
3	1121A2	SPINDLE, KICK STARTER ..... .INCLUDES: Engine removal and installation	3.0
7	112103	SPRING, KICK STARTER RETURN .. .INCLUDES: Engine removal and installation	3.0

Ref. No.	Part No.	Description	Reqd. QTY AFB 110MD H	Serial No.	Parts catalogue code
1	28211-KWW-B10	PINION, KICK STARTER(23T) (CHONGQING LIANGJIANG)	1		
2	28221-KWW-B10	RATCHET, STARTER DRIVE (CHONGQING LIANGJIANG)	1		
3	28251-KWW-B10	SPINDLE, KICK STARTER (CHONGQING LIANGJIANG)	1		
4	28262-KWB-600	RETAINER, KICK SPINDLE .....	1		
5	28265-KWW-B10	COLLAR, KICK SPRING (CHONGQING LIANGJIANG)	1		
6	28271-KWW-B10	SPRING, FRICTION STARTER GEAR (CHONGQING LIANGJIANG)	1		
7	28281-KWW-B10	SPRING, KICK RETURN (CHONGQING LIANGJIANG)	1		
8	90451-KWW-B10	WASHER, SPECIAL, 14MM (RUI'AN CHANGJIANG)	1		
9	90454-KWW-B10	WASHER B, THRUST, 20MM (RUI'AN CHANGJIANG)	1		
10	90605-KWW-B10	SET RING, 20MM(OCHIAI) .....	2		
11	94510-16000	CIRCLIP, EXTERNAL, 16MM .....	1		



# E-22

# CARBURETOR



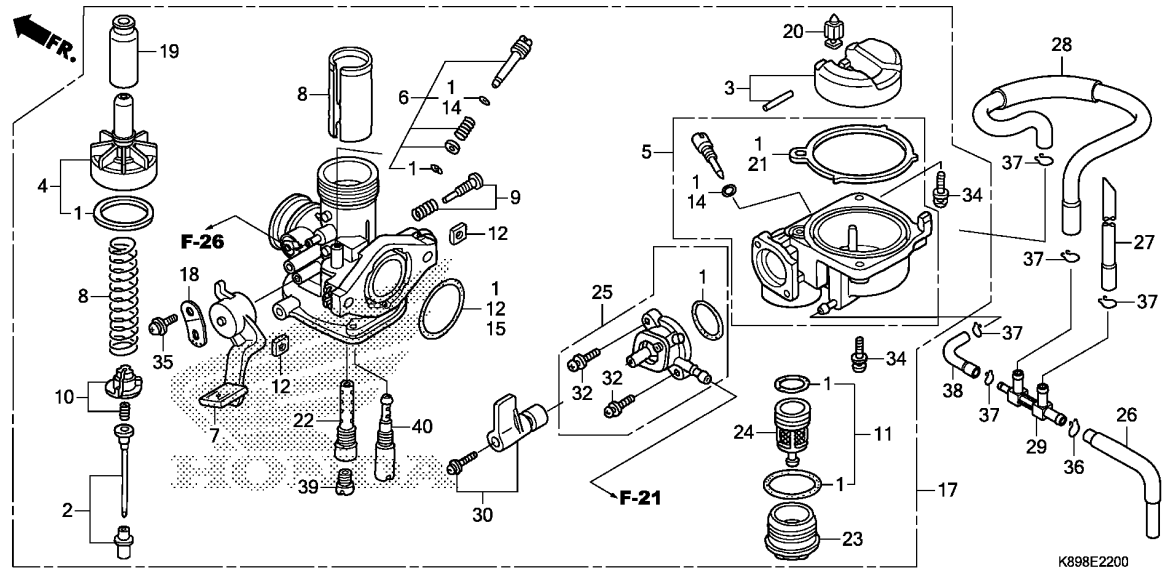
Ref. No.	L.O.N.	(Relative ref. Number) Description	F.R.T.
2	3111A3	NEEDLE, JET .....	0.8
3		(20)	
	311120	FLOAT OR FLOAT VALVE .....	0.7
4	3111A5	TOP SET, CARBURETOR .....	0.3
5	3111A6	CHAMBER, FLOAT .....	0.6
8	3111A8	VALVE, THROTTLE .....	0.4
17	3111B5	CARBURETOR ASSEMBLY .....	0.7
25	310110	COCK ASSY., FUEL .....	0.3
39		(22,40)	
	3111D4	JET, MAIN .....	0.7

K898E2200

Ref. No.	Part No.	Description	Reqd. QTY AFB 110MD H	Serial No.	Parts catalogue code
1	16010-K89-V01	GASKET SET .....	1		
2	16012-K89-V01	NEEDLE SET, JET .....	1		
3	16013-KPG-901	FLOAT SET .....	1		
4	16014-KWB-921	TOP SET .....	1		
5	16015-KVV-901	CHAMBER SET, FLOAT .....	1		
6	16016-KSS-901	SCREW SET .....	1		
7	16019-K89-V01	LEVER COMP., CHOKE .....	1		
8	16022-K07-921	VALVE SET, THROTTLE .....	1		
9	16028-KTT-901	SCREW SET .....	1		
10	16037-KPH-901	PLATE SET, VALVE .....	1		
11	16040-KEV-900	GASKET SET .....	1		
12	16041-GB5-D30	NUT SET, SQUARE .....	1		
14	16075-GHB-640	O-RING, 1.3X4.3 .....	2		
15	16075-GHB-B40	O-RING, 2.4X25 .....	1		
17	16100-K89-V01	CARBURETOR ASSY. (PB7ZC A) ...	1		
18	16119-440-004	PLATE, STAY .....	1		
19	16148-KB1-921	CAP, CABLE SEALING .....	1		
20	16155-KRS-861	VALVE COMP., FLOAT .....	1		
21	16163-GFP-901	GASKET, FLOAT CHAMBER .....	1		
22	16165-K89-V01	HOLDER, NEEDLE JET .....	1		
23	16175-GB0-911	CUP, FUEL STRAINER .....	1		
24	16176-GB0-911	SCREEN, FUEL STRAINER .....	1		
25	16951-KSS-901	BODY SET, COCK .....	1		
26	16955-K89-V00	TUBE A .....	1		

# E-22

# CARBURETOR

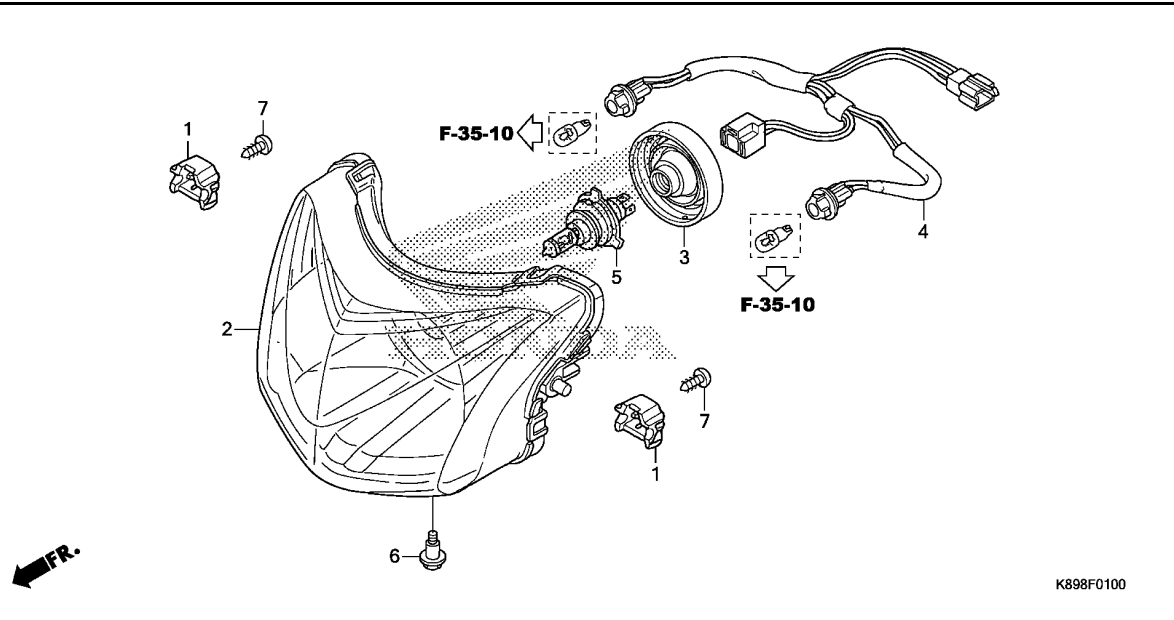


Ref. No.	Part No.	Description	Reqd. QTY		Serial No.	Parts catalogue code
			AFB	110MD		
				H		
27	16956-K03-M60	TUBE B .....	1			
28	16957-K89-V00	TUBE C .....	1			
29	16960-KWW-E40	JOINT, FOUR WAY .....	1			
30	16963-KSS-901	LEVER SET, COCK .....	1			
32	93892-03012-18	SCREW-WASHER, 3X12 .....	2			
34	93892-04014-08	SCREW-WASHER, 4X14 .....	2			
35	93892-05012-18	SCREW-WASHER, 5X12 .....	1			
36	95002-02659	CLIP, TUBE(B6.5) .....	1			
37	95002-02089	CLIP, TUBE(B1 8) .....	5			
38	16958-K89-V00	TUBE D .....	1			
39	99101-KSS-0950	JET, MAIN, #95 .....	1			
40	99103-GFP-0380	JET, SLOW, #38 .....	1			



# F-1

# HEADLIGHT



Ref. No.	L.O.N.	(Relative ref. Number) Description	F.R.T.
2	6161A7	HEADLIGHT UNIT .....	0.3
4	6161B1	SOCKET, HEADLIGHT .....	0.2
5		(3)	
	616118	BULB, HEADLIGHT .....	0.2

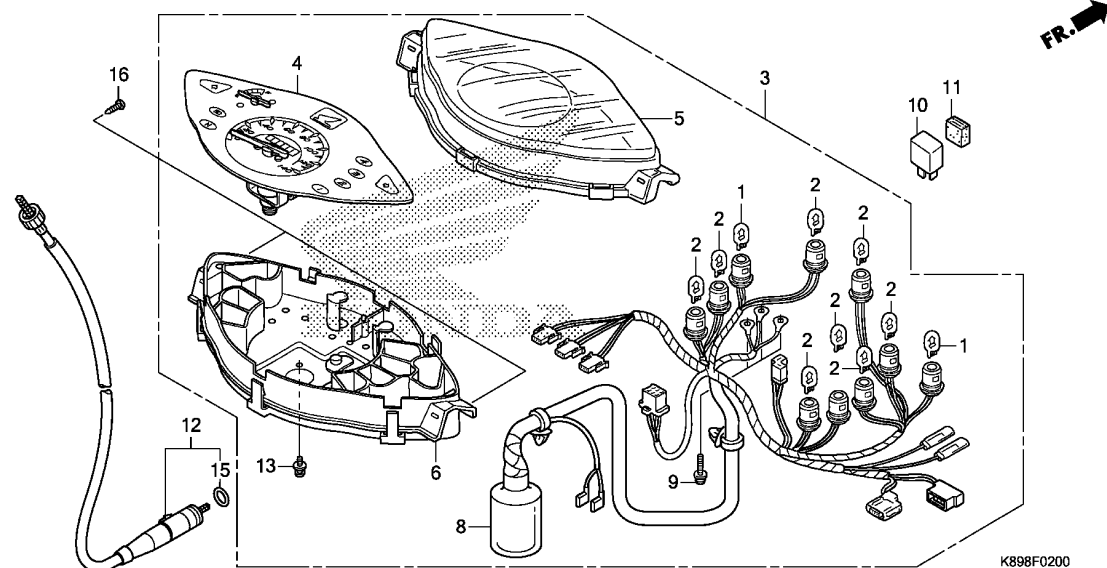
K898F0100

3

Ref. No.	Part No.	Description	Reqd. QTY	Serial No.	Parts catalogue code
			AFB 110MD H		
1	33118-KTL-741	BRACKET, HEADLIGHT .....	2		
2	33120-KTL-641	HEADLIGHT UNIT .....	1		
3	33126-S05-003	COVER, RUBBER .....	1		
4	33150-KTL-641	SOCKET COMP., HEADLIGHT .....	1		
5	34901-K57-V01	BULB, HEADLIGHT(HS1) (12V 35/35W) (STANLEY)	1		
6	90101-GJ6-000	BOLT, ADJUSTING .....	1		
7	93903-34380	SCREW, TAPPING, 4X12 .....	2		

# F-2

# METER



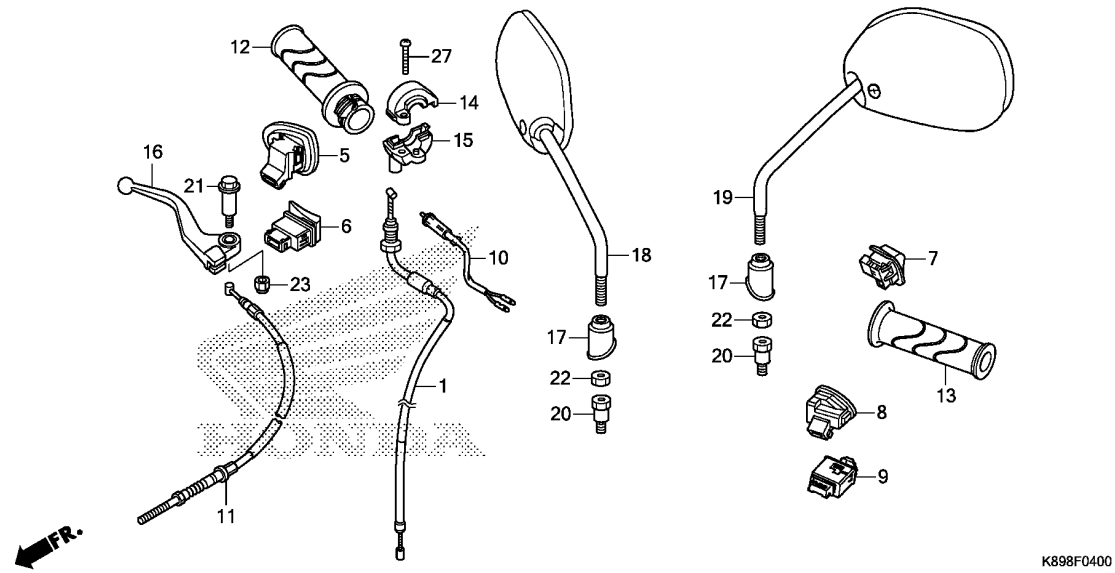
Ref. No.	L.O.N.	(Relative ref. Number) Description	F.R.T.
1		(2) BULB, METER .....	0.2
		.NOTE: Same time for two units or more	
3	8121A1	METER ASSY., COMBINATION .....	0.8
4	8121A2	METER, COMBINATION .....	1.0
5	8121B7	LENS, METER .....	0.8
6	8121B3	CASE, METER .....	0.9
8	6161G4	SOCKET ASSY., METER BULB .....	0.8
10	6111C3	RELAY, WINKER .....	0.5
12	811160	CABLE, SPEEDOMETER .....	0.6

Ref. No.	Part No.	Description	Reqd. QTY	Serial No.	Parts catalogue code
			AFB 110MD H		
1	34908-GA7-701	BULB, WEDGE BASE(T10) (12V 3.4W)(NIPPON SEIKI)	2		
	34908-GCC-C51	BULB, WEDGE BASE(T10) (12V 3.4W)(ZM)	2		
	34909-KVR-600	BULB, WEDGE BASE(T10) (12V 3.4W)(TOSHIBA)	2		
2	34908-KVE-900	BULB, WEDGE BASE(T10) (12V 1.7W)(TOSHIBA)	8		
	34908-MB9-871	BULB, WEDGE BASE(T10) (12V 1.7W)(STANLEY)	8		
	34909-GCC-C51	BULB, WEDGE BASE(T10) (12V 1.7W)(ZM)	8		
3	37200-K89-V01	SPEEDOMETER ASSY.(KPH) .....	1		
4	37210-K89-V01	SPEEDOMETER COMP. ....	1		
5	37211-KTL-681	LENS .....	1		
6	37212-KTL-691	CASE ASSY. ....	1		
8	37224-K89-V01	SOCKET COMP. ....	1		
9	37305-KE5-008	SCREW-WASHER, 3X22 .....	3		
10	38301-GBG-911	RELAY COMP., WINKER (PT.MITSUBA)	1		
11	38306-KK4-000	SUSPENSION, WINKER RELAY (MITSUBA)	1		
12	44830-KWW-640	CABLE ASSY., SPEEDOMETER ....	1		
13	90035-166-008	SCREW-WASHER, SPECIAL, 4X10 ..	2		
15	91256-KK3-840	O-RING, 10X1.5 .....	1		
16	93903-35310	SCREW, TAPPING, 5X16 .....	2		



# F-4

# HANDLE LEVER/SWITCH/CABLE/MIRROR



Ref. No.	L.O.N.	(Relative ref. Number) Description	F.R.T.
1	811100	CABLE, THROTTLE .....	0.8
5	6151C1	SWITCH, LIGHTING .....	0.4
6	615116	SWITCH, STARTER .....	0.4
7	615117	SWITCH, DIMMER .....	0.4
8	6151A3	SWITCH, HORN .....	0.4
9	615118	SWITCH, WINKER .....	0.4
10	6151B2	SWITCH, FRONT STOP .....	0.4
11	811125	CABLE, FRONT BRAKE .....	0.5
12	810150	GRIP, THROTTLE .....	0.4
13	8101C0	GRIP, HANDLE :LEFT .....	0.1
15	810155	HOUSING, THROTTLE .....	0.4
16	8101C7	LEVER, HANDLE :RIGHT .....	0.3

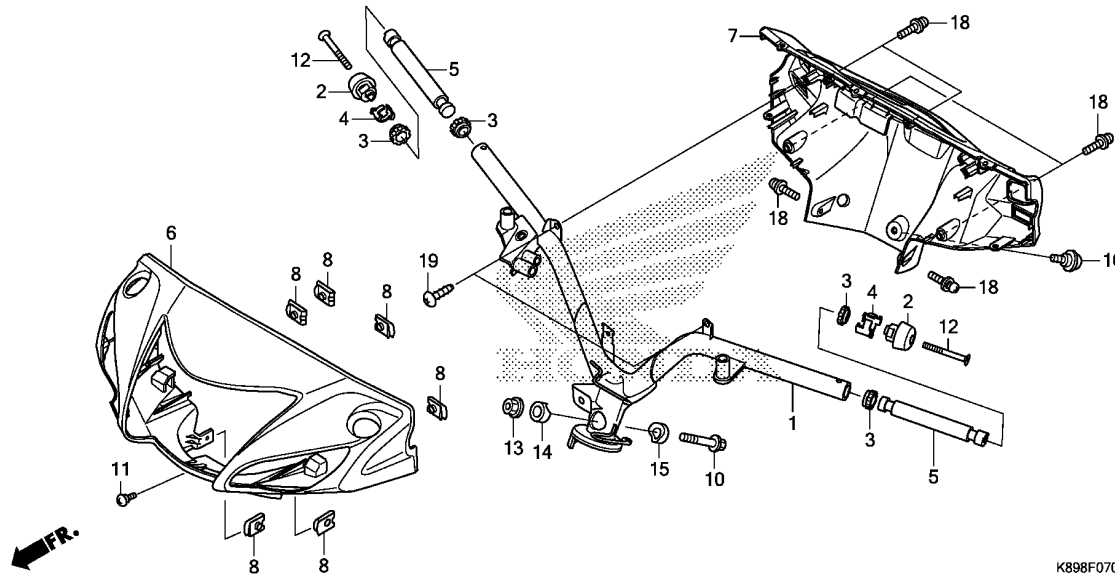
3

Ref. No.	Part No.	Description	Reqd. QTY	Serial No.	Parts catalogue code
			AFB 110MD H		
1	17910-K89-V01	CABLE COMP., THROTTLE .....	1		
5	35150-KYZ-V02	SWITCH UNIT, LIGHTING .....	1		
6	35160-K20-T21	SWITCH UNIT, STARTER(TOYO) ..	1		
7	35170-KYZ-901	SWITCH UNIT, DIMMER .....	1		
8	35180-K20-T21	SWITCH UNIT, HORN(TOYO) .....	1		
9	35200-K03-N31	SWITCH UNIT, WINKER(TOYO) ...	1		
10	35340-KPH-901	SWITCH ASSY., FR. STOP .....	1		
11	45450-K57-V11	CABLE COMP., FR. BRAKE .....	1		
12	53140-KWW-620	GRIP COMP., THROTTLE .....	1		
13	53166-KWB-600	GRIP, L. HANDLE .....	1		
14	53167-KFM-900	HOUSING, UPPER THROTTLE .....	1		
15	53168-KFM-902	HOUSING, UNDER THROTTLE .....	1		
16	53175-KWW-C00	LEVER COMP., R. HANDLE .....	1		
17	88113-KWW-A00	CAP, LOCK NUT .....	2		
18	88210-K57-A00	MIRROR COMP., R. .....	1		
	88210-K89-V01	.....	1		
19	88220-K57-A00	MIRROR COMP., L. .....	1		
	88220-K89-V01	.....	1		
20	90003-MY5-720	BOLT, ADAPTER, 10MM .....	2		
21	90113-KZV-V30	BOLT, R. HANDLE LEVER PIVOT ..	1		
22	90201-MW3-620	NUT, HEX., 10MM (LEFT HAND THREAD)	2		
23	90302-435-761	NUT, HEX., 5MM .....	1		
27	93500-05025-0G	SCREW, PAN, 5X25 .....	1		



# F-7

# HANDLE PIPE/HANDLE COVER

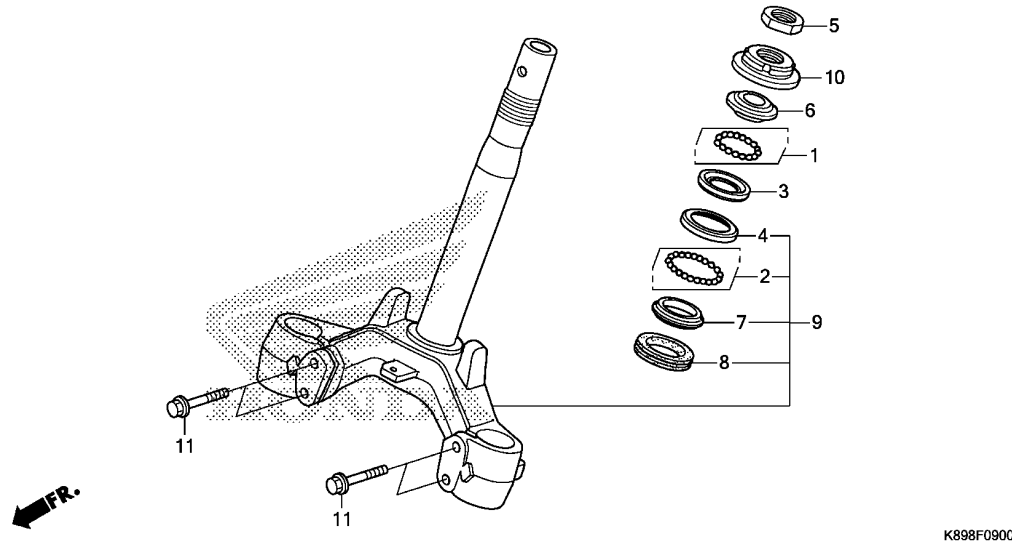


Ref. No.	L.O.N.	(Relative ref. Number) Description	F.R.T.
1	810100	PIPE, STEERING HANDLE .....	1.6
5		(3,4)	
	8101D6	WEIGHT B, HANDLE :LEFT .....	0.2
	8101D7	WEIGHT B, HANDLE :RIGHT .....	0.2
	8101D8	WEIGHT B, HANDLE :BOTH .....	0.4
6	4131B5	COVER, HANDLE :FRONT .....	0.4
7	4131B6	COVER, HANDLE :REAR .....	0.4
	4131U1	COVER, HANDLE :BOTH .....	0.6

Ref. No.	Part No.	Description	Reqd. QTY AFB 110MD H	Serial No.	Parts catalogue code
1	53100-K89-V00	PIPE COMP., STEERING HANDLE (DRUM)	1		
2	53102-K57-V00	WEIGHT A, STEERING HANDLE ...	2		
3	53107-KW7-930	RUBBER, HANDLE WEIGHT .....	4		
4	53108-KR3-770	RING, HANDLE WEIGHT SNAP .....	2		
5	53125-KWW-640	WEIGHT B, STEERING HANDLE ...	2		
6	53205-K89-V00ZA	COVER, FR. HANDLE (DRUM)			
	*R263*	.....MILLENNIUM RED	1		
	53205-K89-V00ZB	*NHB55P*..PEARL ICEBERG WHITE	1		
	53205-K89-V00ZC	*NHB25M* POSEIDON BLACK METALLIC	1		
	53205-K89-V00ZD	*GY150P*..PEARL CELADON GREEN	1		
	53205-K89-V00ZE	*B203M*DELICATE BLUE METALLIC	1		
7	53206-K89-V00ZA	COVER, RR. HANDLE			
	*NH1*	.....BLACK	1		
8	64521-MN5-000	NUT, CLIP, 4MM .....	6		
10	90102-KWW-640	BOLT, FLANGE, 10X48 .....	1		
11	90104-KPH-900	SCREW, SPECIAL, 5MM .....	1		
12	90191-K47-N41	SCREW, OVAL, 6X45 .....	2		
13	90304-K66-V01	NUT, FLANGE, 10MM (PT) .....	1		
14	90501-KPH-880	COLLAR A, HANDLE SETTING ...	1		
15	90505-KPH-880	COLLAR B, HANDLE SETTING ...	1		
16	91509-GE2-760	SCREW, PAN, 5X11.5 .....	1		
18	93891-04016-07	SCREW-WASHER, 4X16 .....	6		
19	93903-34380	SCREW, TAPPING, 4X12 .....	2		

# F-9

# STEERING STEM



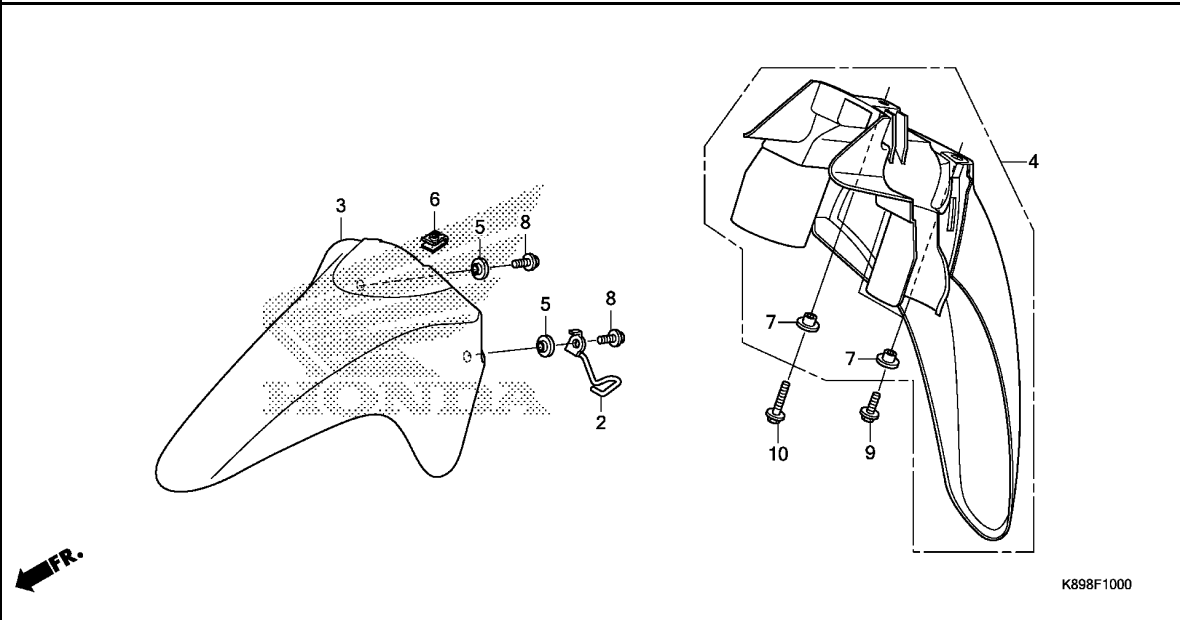
Ref. No.	L.O.N.	(Relative ref. Number) Description	F.R.T.
3		(1)	
3	5101A0	RACE, STEERING BALL :UPPER ...	1.9
4	5101A1	RACE, STEERING BALL :LOWER ...	1.9
	5101C9	RACE, STEERING BALL :BOTH ....	1.9
6	5101A9	RACE, STEERING TOP CONE .....	1.3
7		(2,8)	
	5101B0	RACE, STEERING BOTTOM CONE ...	2.0
9	510100	STEM OR SHAFT ASSY., STEERING	1.9
10	5101B2	THREAD, STEERING HEAD TOP ....	1.3

3

Ref. No.	Part No.	Description	Reqd. QTY	Serial No.	Parts catalogue code
			AFB 110MD H		
1	06530-GBG-B20	BALL SET, STEEL, #6X23 .....	1		
2	06531-GBG-B20	BALL SET, STEEL, #6X29 .....	1		
3	50301-GN5-901	RACE, STEERING TOP BALL .....	1		
4	50302-GN5-900	RACE, STEERING BOTTOM BALL ..	1		
5	50306-GN5-900	NUT, STEERING STEM LOCK .....	1		
6	53211-GN5-900	RACE, STEERING TOP CONE .....	1		
7	53212-GN5-900	RACE, STEERING BOTTOM CONE ..	1		
8	53214-GN5-900	DUST SEAL, STEERING HEAD ....	1		
9	53219-KWW-B20	STEM SUB ASSY., STEERING ....	1		
10	53220-GN5-850	THREAD COMP., STEERING HEAD	1		
		TOP	1		
11	95801-10045-00	BOLT, FLANGE, 10X45 .....	4		

# F-10

# FRONT FENDER

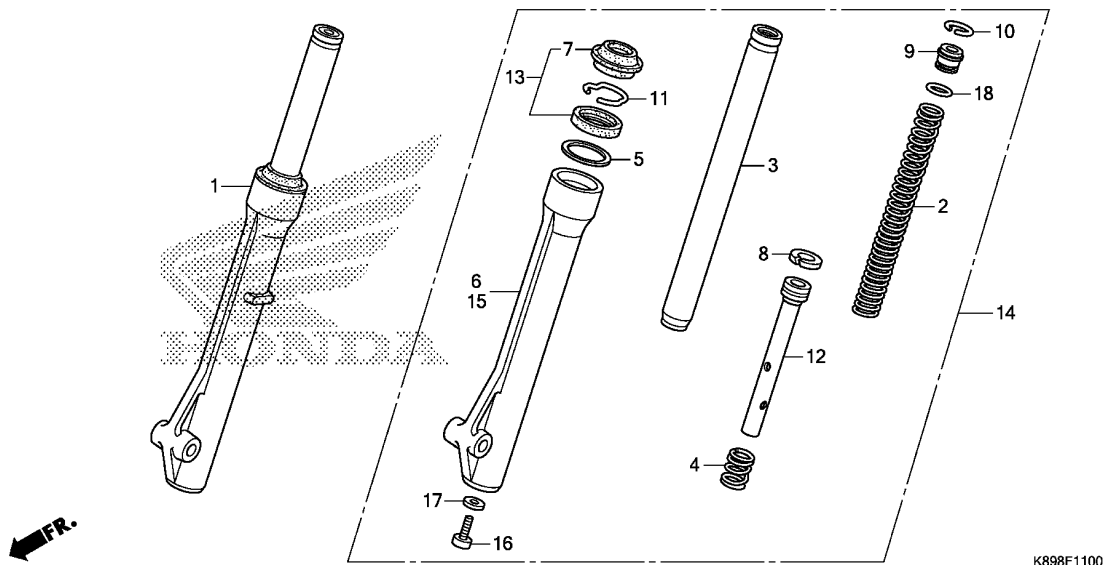


Ref. No.	L.O.N.	(Relative ref. Number) Description	F.R.T.
3	413103	FENDER A, FRONT .....	0.3
4	413104	FENDER B, FRONT .....	0.5

Ref. No.	Part No.	Description	Reqd. QTY	Serial No.	Parts catalogue code
			AFB 110MD H		
2	45465-KWW-640	GUIDE COMP., BRAKE CABLE ....	1		
3	61100-KWW-640YB	FENDER A, FR.	1		
		*B203M*DELICATE BLUE METALLIC	1		
	61100-KWW-640YH	*NHB25M*	1		
		POSEIDON BLACK METALLIC	1		
	61100-KWW-640YN	*NHB55P*..PEARL ICEBERG WHITE	1		
	61100-KWW-640YP	*GY150P*..PEARL CELADON GREEN	1		
	61100-KWW-640ZU	*R263*.....MILLENNIUM RED	1		
4	61200-KWW-640ZB	FENDER B, FR.	1		
		*NH1*.....BLACK	1		
5	81312-KPH-900	COLLAR, FR. FENDER .....	2		
6	90305-KWW-640	NUT, CLIP, 6MM .....	1		
7	90503-KBP-900	COLLAR, MAIN SIDE COVER .....	3		
8	96001-06012-00	BOLT, FLANGE, 6X12 .....	2		
9	96001-06014-00	BOLT, FLANGE, 6X14 .....	2		
10	96001-06025-00	BOLT, FLANGE, 6X25 .....	1		

# F-11

# FRONT FORK



Ref. No.	L.O.N.	(Relative ref. Number) Description	F.R.T.
1	5111C3	FORK ASSY., FRONT :RIGHT .....	0.5
2	5111C5	SPRING, FRONT FORK :LEFT .....	0.7
	5111C6	SPRING, FRONT FORK :RIGHT .....	0.7
	5111C7	SPRING, FRONT FORK :BOTH .....	1.0
3		(4,8,12)	
	5111G2	PIPE, FRONT FORK :LEFT .....	0.8
	5111G3	PIPE, FRONT FORK :RIGHT .....	0.8
	5111G4	PIPE, FRONT FORK :BOTH .....	1.3
6	5111D2	CASE, BOTTOM :RIGHT .....	0.9
13	5111E7	SEAL SET, FRONT FORK :LEFT ...	0.9
	5111E8	SEAL SET, FRONT FORK :RIGHT ..	0.9
	5111E9	SEAL SET, FRONT FORK :BOTH ...	1.5
14	5111C2	FORK ASSY., FRONT :LEFT .....	0.5
	5111C4	FORK ASSY., FRONT :BOTH .....	0.7
15	5111D1	CASE, BOTTOM :LEFT .....	0.9
	5111D3	CASE, BOTTOM :BOTH .....	1.5

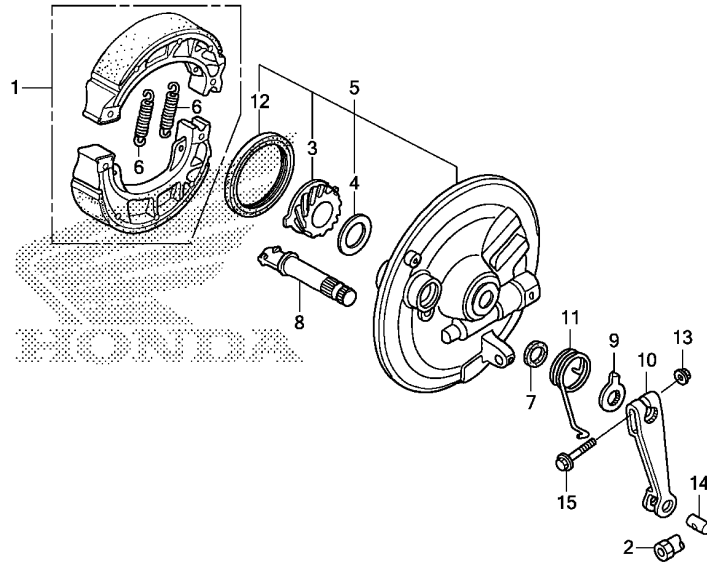
K898F1100

Ref. No.	Part No.	Description	Reqd. QTY	Serial No.	Parts catalogue code
			AFB 110MD H		
1	51400-K89-V01	CUSHION ASSY., R. FR.(SHOWA)	1		
2	51401-KWW-A01	SPRING, FR. FORK(SHOWA) .....	2		
3	51410-KWB-921	PIPE COMP., FR. FORK(SHOWA) ..	2		
4	51412-GN5-901	SPRING, REBOUND(SHOWA) .....	2		
5	51412-KWB-601	RING, BACK UP .....	2		
6	51420-K90-V11	CASE COMP., R. FR. BOTTOM (SHOWA)	1		
7	51425-GN5-901	SEAL, DUST(SHOWA) .....	2		
8	51437-KWB-601	RING, PISTON .....	2		
9	51454-KEV-881	SEAT B, SPRING .....	2		
10	51456-KPH-901	RING, STOPPER .....	2		
11	51466-065-901	RING, OIL SEAL STOPPER(SHOWA)	2		
12	51470-K90-V01	PIPE, SEAT(SHOWA) .....	2		
13	51490-KGH-901	SEAL SET, FR. FORK(SHOWA) ...	2		
14	51500-K89-V01	CUSHION ASSY., L. FR.(SHOWA)	1		
15	51520-K90-V11	CASE COMP., L. FR. BOTTOM (SHOWA)	1		
16	90116-KV3-701	BOLT, SOCKET, 8MM(SHOWA) ....	2		
17	90544-283-000	WASHER, SPECIAL, 8MM(SHOWA) ..	2		
18	91356-GMO-003	O-RING, 15.8X2.4(SHOWA) .....	2		

3

# F-13

# FRONT BRAKE PANEL

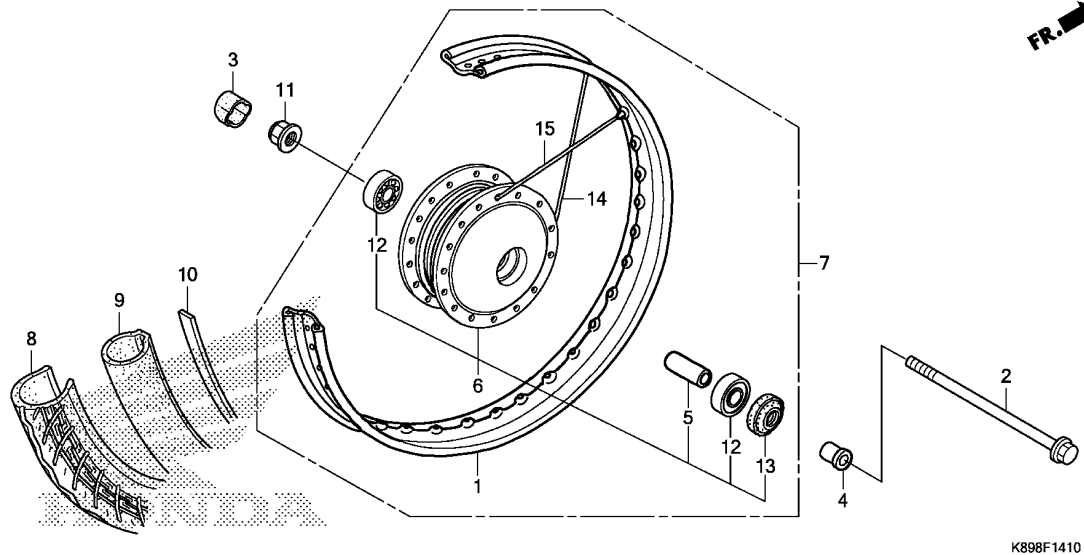


Ref. No.	L.O.N.	(Relative ref. Number) Description	F.R.T.
1	711115	SHOE(PAD) SET, BRAKE :FRONT ..	0.3
3		(12)	
	7101C3	GEAR, SPEEDOMETER .....	0.3
5	7111D0	PANEL, FRONT BRAKE .....	0.4
8	7111B3	CAM, BRAKE :FRONT .....	0.4
10	7111C3	ARM, BRAKE :FRONT .....	0.1

Ref. No.	Part No.	Description	Reqd. QTY	Serial No.	Parts catalogue code
			AFB 110MD H		
1	06430-KPH-900	SHOE SET, BRAKE(NISSIN) .....	1		
2	43459-GN5-760	NUT, BRAKE ROD ADJUSTING .....	1		
3	44806-KFM-901	GEAR, SPEEDOMETER(19T) .....	1		
4	45001-KWW-640	WASHER, SPEEDOMETER GEAR .....	1		
5	45010-KWW-640ZA	PANEL SUB COMP., FR. BRAKE *NH364M*SHEEN SILVER METALLIC	1		
6	45133-028-000	SPRING, BRAKE SHOE .....	2		
7	45134-250-000	DUST SEAL, BRAKE CAM .....	1		
8	45141-KVR-C00	CAM, FR. BRAKE .....	1		
9	45145-KFM-900	INDICATOR, FR. BRAKE .....	1		
10	45410-KFM-900	ARM, FR. BRAKE .....	1		
11	45435-121-010	SPRING, FR. BRAKE ARM RETURN	1		
12	91251-KFM-901	OIL SEAL, 42X54X7(NISSIN) ...	1		
13	94050-06000	NUT, FLANGE, 6MM .....	1		
14	95015-32001	JOINT B, BRAKE ARM .....	1		
15	95701-06028-00	BOLT, FLANGE, 6X28 .....	1		

# F-14-10

# FRONT WHEEL



Ref. No.	L.O.N.	(Relative ref. Number) Description	F.R.T.
1	710109	RIM, WHEEL :FRONT .....	2.2
2		(13)	
	710151	AXLE, FRONT WHEEL .....	0.2
6		(14,15)	
	710103	HUB, FRONT WHEEL .....	2.3
7	7101D4	FRONT WHEEL .....	0.7
8		(9,10)	
	7101J8	FRONT TIRE AND/OR TUBE(ONE) ..	0.7
12	710115	BEARING, FRONT WHEEL(ONE) ....	0.4
	710115G	.Replace 1 bearing add .....	0.1

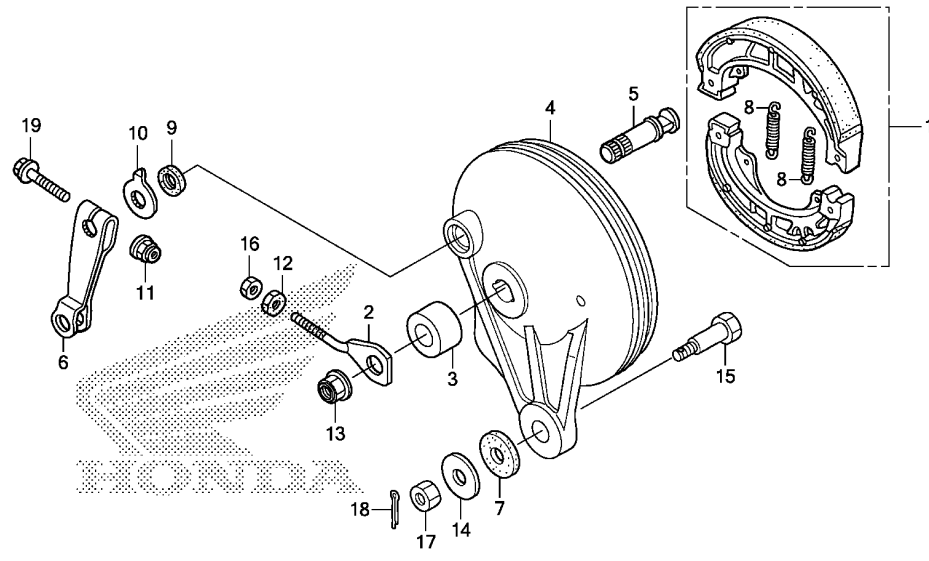
K898F1410

Ref. No.	Part No.	Description	Reqd. QTY	Serial No.	Parts catalogue code
			AFB 110MD H		
1	42701-KW7-902	RIM, WHEEL(1.40X17) .....	1		
2	44301-KWW-640	AXLE, FR. WHEEL .....	1		
3	44302-383-610	CAP, AXLE NUT .....	1		
4	44311-KPH-900	COLLAR, FR. WHEEL SIDE .....	1		
5	44620-400-000	COLLAR, FR. AXLE DISTANCE ...	1		
6	44635-K03-H20ZA	HUB SUB ASSY., FR. *NH364M*SHEEN SILVER METALLIC	1		
7	44650-K03-M31ZA	WHEEL SUB ASSY., FR. *NH364M*SHEEN SILVER METALLIC	1		
8	44711-KWW-B21	TIRE, FR.(IRC) (70/90-17 M/C 38P)	1		
9	42712-041-154	TUBE, TIRE(IRC)(70/90-17) ...	1		
10	42713-001-000	FLAP, TIRE(IRC) .....	1		
11	90306-K66-V01	NUT, FLANGE, 12MM(PT) .....	1		
12	91052-K24-902	BEARING, RADIAL BALL(6201U L) (NTN)	2		
13	91251-KPH-901	DUST SEAL, 21X37X7(ARAI) ....	1		
14	97224-31156-KO	SPOKE SET A, 11X158 .....	18		
		(INSIDE)	18		
15	97574-31155-KO	SPOKE SET A, 11X157.5 .....	18		
		(OUTSIDE)	18		

3

# F-18

# REAR BRAKE PANEL



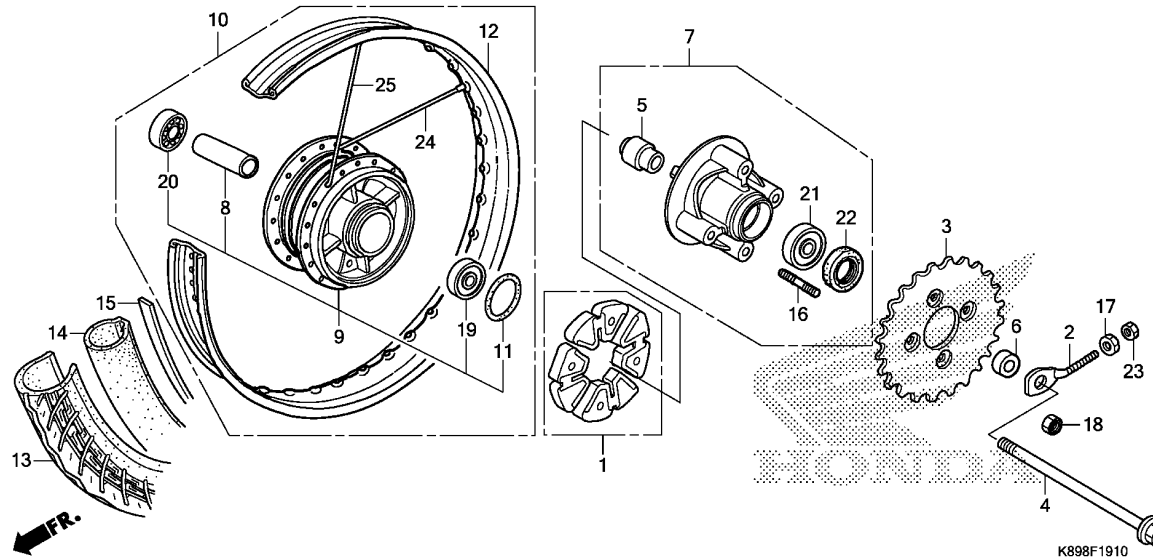
Ref. No.	L.O.N.	(Relative ref. Number) Description	F.R.T.
1	711140	SHOE(PAD) SET, BRAKE :REAR ...	0.4
4	7111A9	PANEL, REAR BRAKE .....	0.5
5	7111B4	CAM, BRAKE :REAR .....	0.5
6	7111C4	ARM, BRAKE :REAR .....	0.1

FR. →  
K898F1800

Ref. No.	Part No.	Description	Reqd. QTY	Serial No.	Parts catalogue code
			AFB 110MD H		
1	06430-KPH-900	SHOE SET, BRAKE(NISSIN) .....	1		
	06430-KVR-600	SHOE SET, BRAKE(ASK) .....	1		
2	40543-KWW-A00	ADJUSTER, R. CHAIN .....	1		
3	42313-GBG-B20	COLLAR, RR. BRAKE PANEL SIDE	1		
4	43100-KWW-640ZB	PANEL COMP., RR. BRAKE	1		
		*NH364M*SHEEN SILVER METALLIC	1		
5	43141-KTM-850	CAM, RR. BRAKE .....	1		
6	43410-KWB-600	ARM, RR. BRAKE .....	1		
7	43434-ME1-670	RUBBER, STOPPER ARM .....	1		
8	45133-028-000	SPRING, BRAKE SHOE .....	2		
9	45134-250-000	DUST SEAL, BRAKE CAM .....	1		
10	45145-KFM-900	INDICATOR, FR. BRAKE .....	1		
11	90301-KGH-901	NUT, U, 6MM(FUJI SEIMITSU) ..	1		
12	90302-KBP-900	NUT, SPECIAL, 6MM .....	1		
13	90306-K66-V01	NUT, FLANGE, 12MM(PT) .....	1		
14	90505-425-000	WASHER, 8MM .....	1		
15	92811-10000	BOLT A, BRAKE STOPPER .....	1		
16	94001-06000-0S	NUT, HEX., 6MM .....	1		
17	94001-08000-0S	NUT, HEX., 8MM .....	1		
18	94201-20150	PIN, SPLIT, 2.0X15 .....	1		
19	95701-06035-00	BOLT, FLANGE, 6X35 .....	1		

# F-19-10

# REAR WHEEL



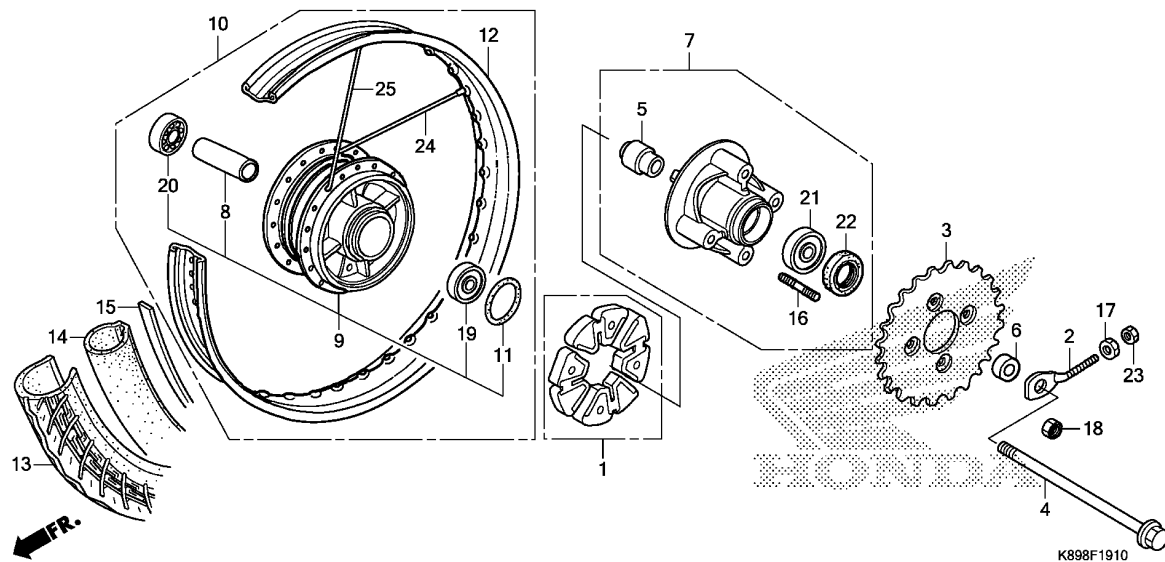
Ref. No.	L.O.N.	(Relative ref. Number) Description	F.R.T.
1		(11)	
710157		DAMPER, REAR WHEEL .....	0.3
3	7101A0	SPROCKET, FINAL DRIVEN .....	0.4
4		(22)	
710160		AXLE, REAR WHEEL .....	0.3
7101A5		FLANGE ASSY., FINAL DRIVEN ...	0.4
9		(24,25)	
710121		HUB, REAR WHEEL .....	2.4
710118		REAR WHEEL .....	0.8
710127		RIM, WHEEL :REAR .....	2.3
13		(14,15)	
7101J9		REAR TIRE AND/OR TUBE(ONE) ...	0.8
19		(20)	
710133		BEARING, REAR WHEEL(ONE) .....	0.5
710133G		.Replace 1 bearing add .....	0.1
7101D1		BEARING, FINAL DRIVEN FLANGE ..	0.5

Ref. No.	Part No.	Description	Reqd. QTY	Serial No.	Parts catalogue code
			AFB 110MD H		
1	06410-KWB-600	DAMPER SET, WHEEL .....	1		
2	40543-KWW-A00	ADJUSTER, R. CHAIN .....	1		
		(L. SIDE)			
3	41201-K89-V00	SPROCKET, FINAL DRIVEN(35T) ..	1		
4	42301-KWW-640	AXLE, RR. WHEEL .....	1		
5	42303-KWW-B60	SLEEVE, RR. WHEEL .....	1		
6	42304-KFM-900	COLLAR, RR. WHEEL SIDE .....	1		
7	42615-K03-M30	FLANGE SUB ASSY., FINAL DRIVEN	1		
8	42620-KFL-850	COLLAR, RR. AXLE DISTANCE ...	1		
9	42635-K03-H00ZA	HUB SUB ASSY., RR. WHEEL	1		
		*NH364M*SHEEN SILVER METALLIC	1		
10	42650-K03-M30ZA	WHEEL SUB ASSY., RR.	1		
		*NH364M*SHEEN SILVER METALLIC	1		
11	42653-001-004	O-RING, 40.5X3	1		
		(NIPPON DUST KEEPER)			
12	42701-KFL-890	RIM, RR. WHEEL .....	1		
13	42711-KTM-972	TIRE, RR.(IRC)	1		
		(80/90-17M/C 50P)	1		
14	42712-KTM-972	TUBE, TIRE(IRC)(80/90-17M/C)	1		
15	42713-102-005	FLAP, TIRE(IRC) .....	1		
16	90128-KWB-600	BOLT, STUD, 8X18 .....	4		
17	90302-KBP-900	NUT, SPECIAL, 6MM .....	1		
18	90309-KPH-971	NUT, U, 8MM(FUJI SEIMITSU) ..	4		
19	91052-K24-902	BEARING, RADIAL BALL(6201U L)	1		
		(NTN)	1		



# F-19-10

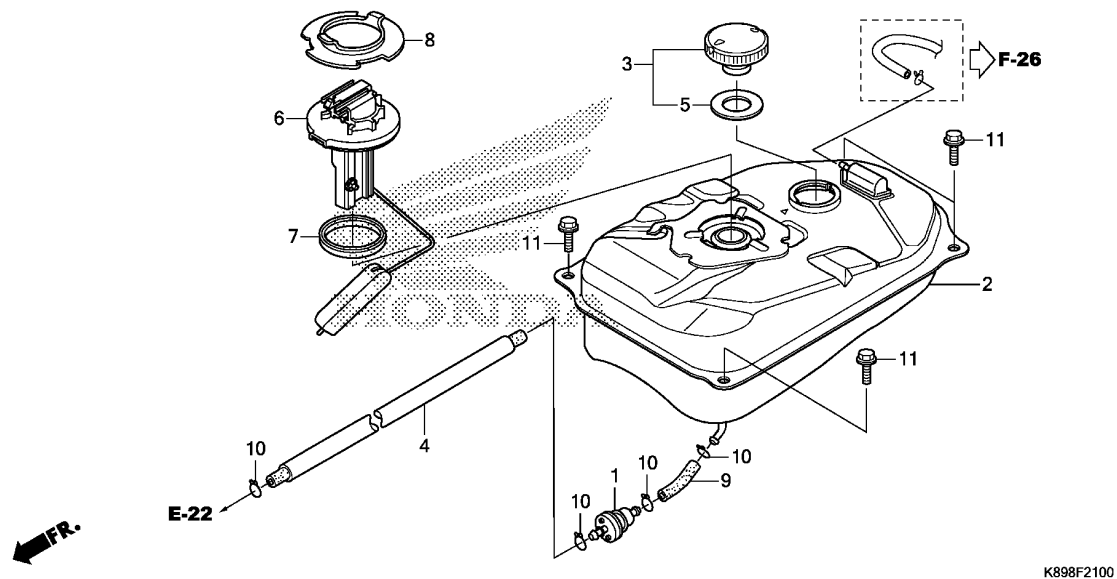
# REAR WHEEL



Ref. No.	Part No.	Description	Reqd. QTY	Serial No.	Parts catalogue code
			AFB 110MD H		
20	91053-K03-H01	BEARING, RADIAL BALL(6301U L) (NTN)	1		
21	91054-K03-H02	BEARING, RADIAL BALL(6203U L) (NSK)	1		
	91054-K03-H03	BEARING, RADIAL BALL(6203U L) (FAG)	1		
22	91251-KGH-902	DUST SEAL, 27X40X4.5(NOK) ...	1		
23	94001-06000-0s	NUT, HEX., 6MM .....	1		
24	97282-41160-PO	SPOKE SET A, 10X160.0 .....	18		
		(INSIDE)			
25	97548-41159-PO	SPOKE SET A, 10X159.5 .....	18		
		(OUTSIDE)			

# F-21

# FUEL TANK



Ref. No.	L.O.N.	(Relative ref. Number) Description	F.R.T.
1	310160	STRAINER, FUEL .....	0.4
2	310100	TANK, FUEL .....	0.6
4	3101B5	TUBE, FUEL .....	0.4
6		(7)	
	617105	FUEL TANK SENDING UNIT .....	0.2

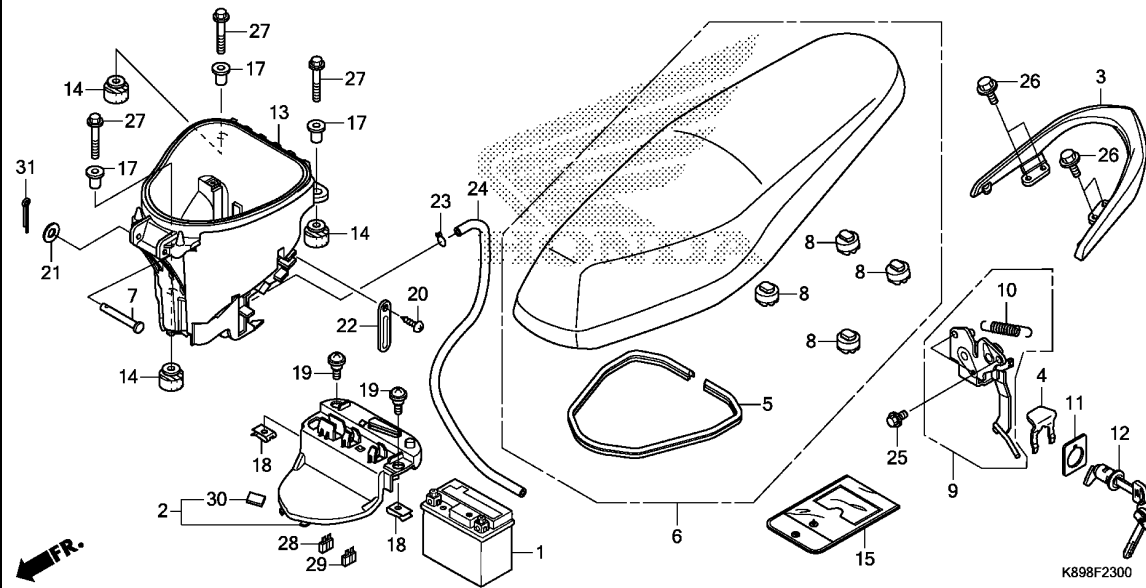
K898F2100

3

Ref. No.	Part No.	Description	Reqd. QTY	Serial No.	Parts catalogue code
			AFB 110MD H		
1	16910-KFM-902	STRAINER COMP., FUEL .....	1		
2	17510-K57-V00	TANK COMP., FUEL .....	1		
3	17620-K01-901	CAP COMP., FUEL FILLER .....	1		
4	17630-K57-V00	TUBE, FUEL .....	1		
5	17632-383-831	PACKING, FUEL FILLER CAP .....	1		
6	37800-KWB-921	FUEL UNIT .....	1		
7	37801-GA7-700	PACKING, BASE .....	1		
8	37802-KTL-740	RETAINER, FUEL UNIT .....	1		
9	95001-55045-40	TUBE, FUEL, 5.3X45 (95001-55001-60M)	1		
10	95002-02100	CLIP, TUBE(B10) .....	4		
11	95701-06012-00	BOLT, FLANGE, 6X12 .....	4		

# F-23

# SEAT/BATTERY

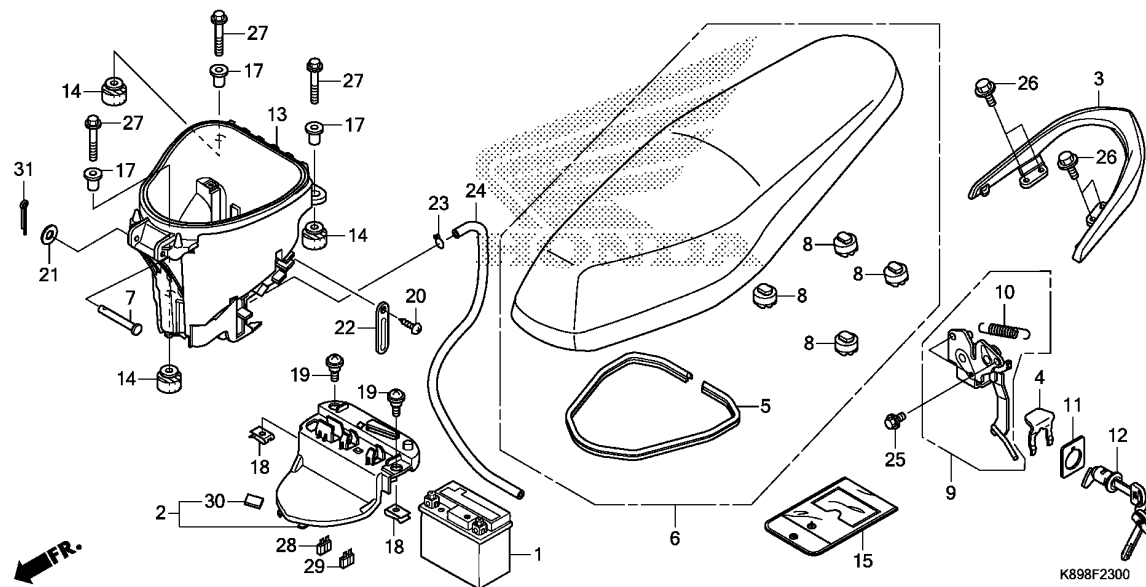


Ref. No.	L.O.N.	(Relative ref. Number) Description	F.R.T.
1	610100	BATTERY .....	0.2
3	4131F6	RAIL, GRAB :REAR .....	0.1
6	4131E4	SEAT :DOUBLE .....	0.1
9	4131E8	CATCH, SEAT :REAR SIDE .....	0.8
12	4131F2	KEY, SEAT LOCK .....	0.5
13	412102	BOX, LUGGAGE .....	0.7

Ref. No.	Part No.	Description	Reqd. QTY AFB 110MD H	Serial No.	Parts catalogue code
1	31500-K89-V01	BATTERY ASSY. (WTZ4V) (LE LONG VIETNAM)	1		
2	50380-K89-V00	COVER COMP., BATTERY .....	1		
3	50400-K89-V00	RAIL, RR. GRAB .....	1		
4	75581-GN8-920	SPRING, LOCK KEY SETTING .....	1		
5	77115-KWB-600	RUBBER, SEAL .....	1		
6	77200-K89-V00	SEAT COMP., DOUBLE .....	1		
7	77215-KZL-930	PIN, SEAT HINGE .....	1		
8	77214-KPH-900	RUBBER B, SEAT SETTING .....	4		
9	77230-K07-900	CATCH COMP., SEAT .....	1		
10	77234-GN2-000	SPRING, SEAT LOCK .....	1		
11	77236-GW0-000	WASHER, SEAT LOCK .....	1		
12	77240-KTM-851	LOCK ASSY., SEAT .....	1		
13	81250-K89-V00	BOX, LUGGAGE .....	1		
14	81253-KPH-900	RUBBER, LUGGAGE BOX MOUNTING	3		
15	83642-K12-900	BAG, OWNERS MANUAL .....	1		
17	90502-KPH-900	COLLAR, 6.2X20 .....	3		
18	90677-KAN-T00	NUT, CLIP, 5MM .....	2		
19	91509-K89-V00	SCREW, PAN, 5X11.5 .....	2		
20	93903-34310	SCREW, TAPPING, 4X12 .....	1		
21	94101-08000	WASHER, PLAIN, 8MM .....	1		
22	94591-24000	CLIP, WIRE, 2X40 .....	1		
23	95002-02080	CLIP, TUBE(B8) .....	1		
24	95005-45400-50	TUBE, 4.5X400(95005-45001-50M)	1		
25	95701-06012-00	BOLT, FLANGE, 6X12 .....	2		

# F-23

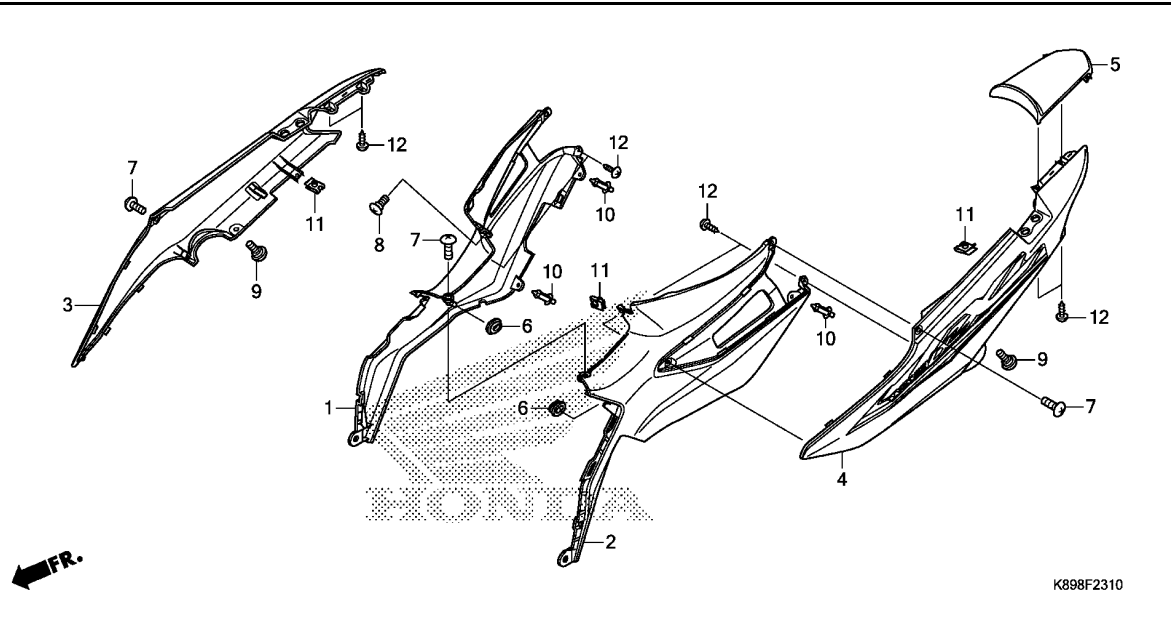
# SEAT/BATTERY



Ref. No.	Part No.	Description	Reqd. QTY		Serial No.	Parts catalogue code
			AFB	110MD H		
26	95701-08014-07	BOLT, FLANGE, 8X14	4			
27	96001-06030-00	BOLT, FLANGE, 6X30	3			
28	98200-40750	FUSE, MINI (7.5A)	1			
29	98200-41000	FUSE, MINI (10A)	1			
30	64341-KWW-A00	RUBBER, CUSHION	1			
31	94201-16150	PIN, SPLIT, 1.6X15	1			

# F-23-10

# BODY COVER

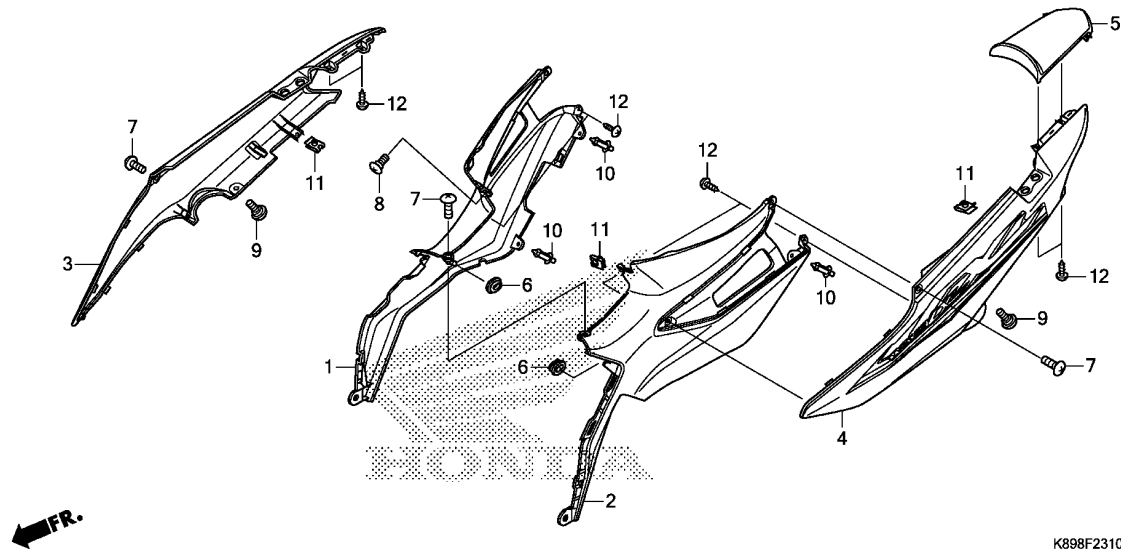


Ref. No.	L.O.N.	(Relative ref. Number) Description	F.R.T.
1	4131DZ	COVER, CENTER :RIGHT .....	0.5
2	4131DY	COVER, CENTER :LEFT .....	0.5
3	4131EA	COVER, CENTER :BOTH .....	0.5
3	4131J0	COVER, BODY :RIGHT .....	0.5
4	4131H9	COVER, BODY :LEFT .....	0.5
4	4131J1	COVER, BODY :BOTH .....	0.5
5	4131J2	COVER, BODY :REAR .....	0.4

Ref. No.	Part No.	Description	Reqd. QTY	Serial No.	Parts catalogue code
			AFB 110MD H		
1	64325-K89-V00ZA	COVER, R. CENTER *NH1*.....BLACK	1		
2	64330-K89-V00ZA	COVER, L. CENTER *NH1*.....BLACK	1		
3	64600-K89-V00ZA	COVER SET, R. BODY(WL) *TYPE5*.....	1		
	64600-K89-V00ZB	*TYPE4*.....	1		
	64600-K89-V00ZC	*TYPE3*.....	1		
	64600-K89-V00ZD	*TYPE2*.....	1		
	64600-K89-V00ZE	*TYPE1*.....	1		
4	64650-K89-V00ZA	COVER SET, L. BODY(WL) *TYPE5*.....	1		
	64650-K89-V00ZB	*TYPE4*.....	1		
	64650-K89-V00ZC	*TYPE3*.....	1		
	64650-K89-V00ZD	*TYPE2*.....	1		
	64650-K89-V00ZE	*TYPE1*.....	1		
5	83510-K89-V00ZA	COVER, TAIL *R263*.....MILLENNIUM RED	1		
	83510-K89-V00ZB	*NHB55P*..PEARL ICEBERG WHITE	1		
	83510-K89-V00ZC	*NHB25M* POSEIDON BLACK METALLIC	1		
	83510-K89-V00ZD	*GY150P*..PEARL CELADON GREEN	1		
	83510-K89-V00ZE	*B203M*DELICATE BLUE METALLIC	1		
6	83551-GE2-000	GROMMET, AIR CLEANER CASE ...	2		
7	90107-KGH-600	SCREW, 6X12 .....	3		
8	90115-KW7-900	SCREW, VISOR SPECIAL SETTING	1		
9	90115-KWW-620	SCREW, VISOR SPECIAL SETTING	2		
10	90116-SPO-003	CLIP, BUMPER SEAL .....	3		

# F-23-10

# BODY COVER



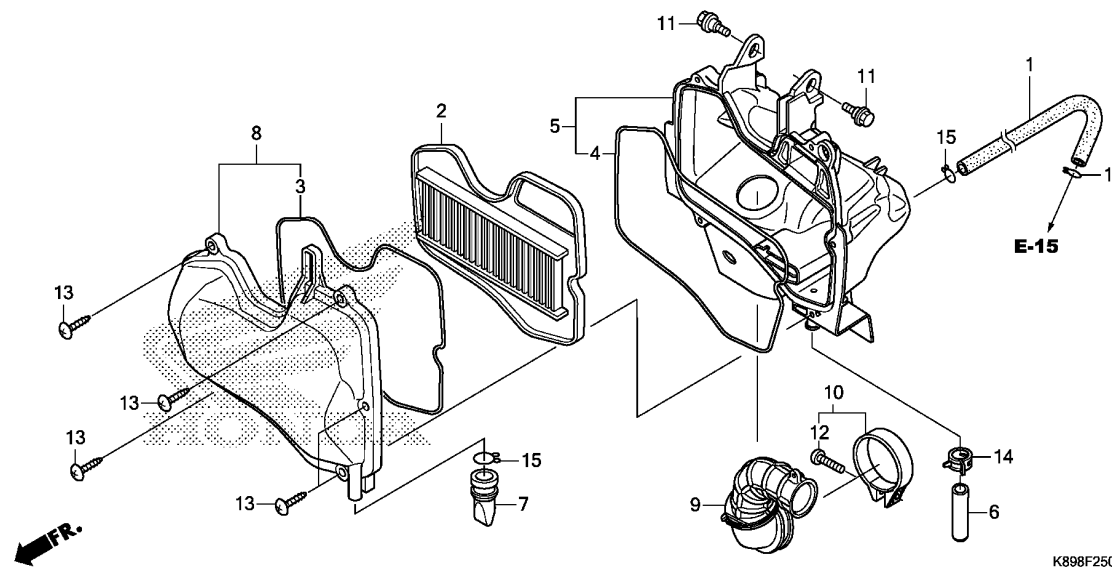
Ref. No.	Part No.	Description	Reqd. QTY	Serial No.	Parts catalogue code
			AFB 110MD H		

11	90677-KAN-T00	NUT, CLIP, 5MM .....	3		
12	93903-34310	SCREW, TAPPING, 4X12 .....	8		

3

# F-25

# AIR CLEANER

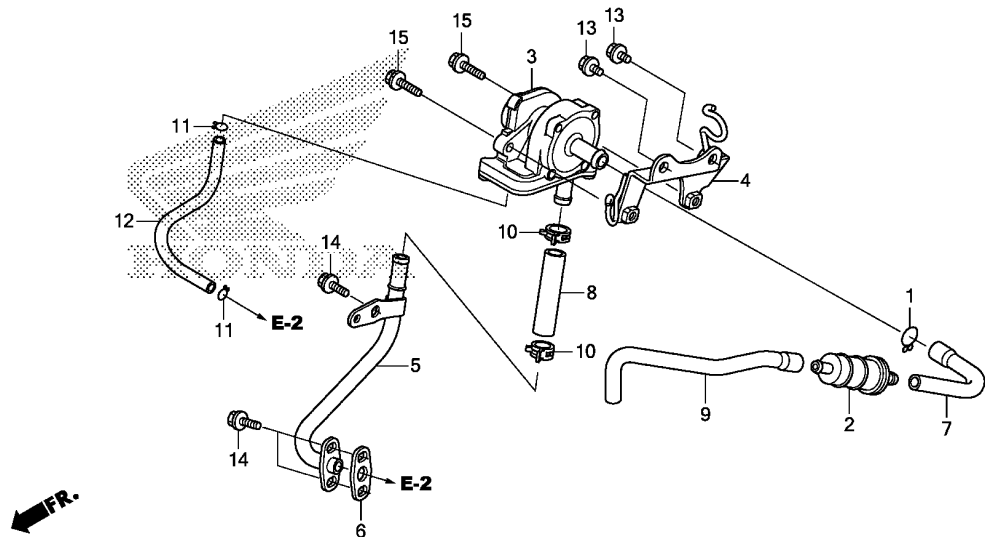


Ref. No.	L.O.N.	(Relative ref. Number) Description	F.R.T.
2		(3,4)	
2	312105	ELEMENT, AIR CLEANER .....	0.2
5	3121A5	CASE, AIR CLEANER .....	0.6
8	312102	COVER, AIR CLEANER CASE .....	0.2
9	3121B6	TUBE, AIR CLEANER CONNECTING ..	0.6

Ref. No.	Part No.	Description	Reqd. QTY	Serial No.	Parts catalogue code
			AFB 110MD H		
1	15761-KWB-600	HOSE, BREATHER .....	1		
2	17210-KWW-B20	ELEMENT COMP., AIR CLEANER ..	1		
3	17213-KWB-600	SEAL, AIR CLEANER COVER .....	1		
4	17214-KWB-920	SEAL, AIR CLEANER CASE .....	1		
5	17225-K89-V00	CASE SUB ASSY., AIR CLEANER ..	1		
6	17227-KYY-900	TUBE, VINYL, 11X15X40 .....	1		
7	17234-KWW-B80	TUBE, AIR CLEANER DRAIN .....	1		
8	17235-KWW-B20	COVER SUB ASSY., AIR CLEANER ..	1		
9	17253-K89-V00	TUBE, AIR CLEANER CONNECTING ..	1		
10	17255-329-000	BAND A, AIR CLEANER CONNECTING TUBE	1		
11	90116-KVB-900	BOLT, FLANGE, 6MM .....	2		
12	93500-05025-0G	SCREW, PAN, 5X25 .....	1		
13	93903-25510	SCREW, TAPPING, 5X25 .....	5		
14	95002-41300-08	CLAMP, TUBE(D13) .....	1		
15	95002-80000	CLIP, TUBE(C12) .....	3		

# F-25-10

# AIR SUCTION VALVE



Ref. No.	L.O.N.	(Relative ref. Number) Description	F.R.T.
2	3141B4	FILTER, SECONDARY AIR SUPPLY	0.3
3	314130	VALVE, SECONDARY AIR CONTROL	0.4
5	3111D1	PIPE, SECONDARY AIR	0.3
9	3111D2	TUBE, SECONDARY AIR CONTROL VALVE	0.3

K898F2510

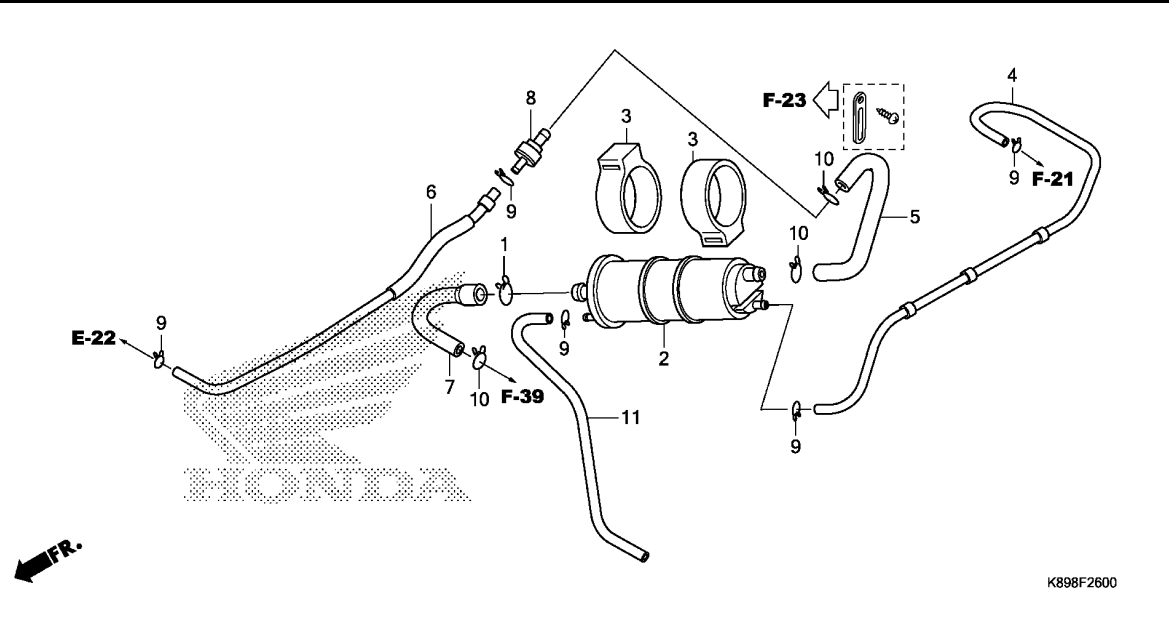
Ref. No.	Part No.	Description	Reqd. QTY	Serial No.	Parts catalogue code
			AFB 110MD H		
1	15771-KV6-000	CLIP, OIL DRAIN TUBE	1		
2	17260-KRS-T00	FILTER COMP., AIR	1		
3	18600-KWW-B21	VALVE ASSY., AIR SUCTION	1		
4	18620-K89-V00	STAY, AIR SUCTION VALVE	1		
5	18640-KWB-920	PIPE COMP., AIR FEED	1		
6	18645-MT4-730	GASKET, AIR FEED PIPE	1		
7	18652-KWW-A80	TUBE A, AIR INJECTION CONTROL VALVE	1		
8	18653-KWW-B20	TUBE B, AIR INJECTION CONTROL VALVE	1		
9	18654-KWW-A80	TUBE C, AIR SUCTION VALVE	1		
10	90601-K27-V01	CLAMP, HOSE(D15.5)	2		
11	95002-02070	CLIP, TUBE(B7)	2		
12	95005-35110-20	TUBE, 3.5X110(95005-35001-20M)	1		
13	95701-06008-00	BOLT, FLANGE, 6X8	2		
14	96001-06016-00	BOLT, FLANGE, 6X16	3		
15	96001-06018-00	BOLT, FLANGE, 6X18	2		

3



# F-26

# CANISTER



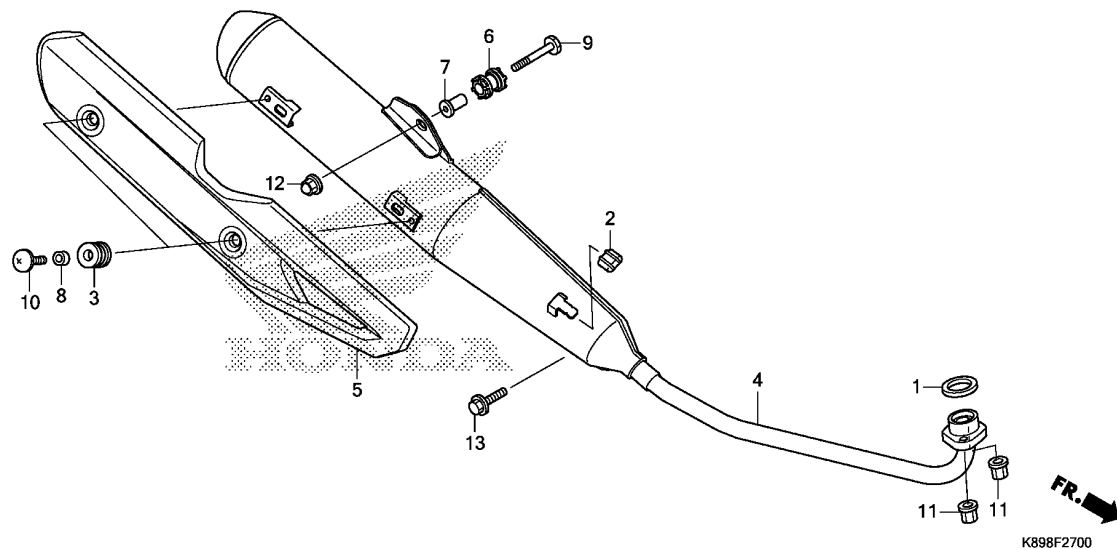
Ref. No.	L.O.N.	(Relative ref. Number) Description	F.R.T.
2	3141A4	CANISTER .....	0.7

Ref. No.	Part No.	Description	Reqd. QTY	Serial No.	Parts catalogue code
			AFB 110MD H		
1	15772-164-000	CLIP, BREATHER TUBE, 15MM ...	1		
2	17310-GFM-K02	CANISTER COMP. ....	1		
3	17311-GFM-K00	RUBBER, CANISTER MOUNT .....	2		
4	17414-K57-V00	TUBE, CANISTER CHARGE .....	1		
5	17415-K57-V00	TUBE A, CANISTER PURGE .....	1		
6	17416-K57-V00	TUBE B, CANISTER PURGE .....	1		
7	17418-K57-V00	TUBE A, CANISTER AIR .....	1		
8	17440-KWW-E41	VALVE, ONE WAY .....	1		
9	95002-02080	CLIP, TUBE(B8) .....	5		
10	95002-02120	CLIP, TUBE(B12) .....	3		
11	95005-45315-50	TUBE, 4.5X315 .....	1		



# F-27

# EXHAUST MUFFLER



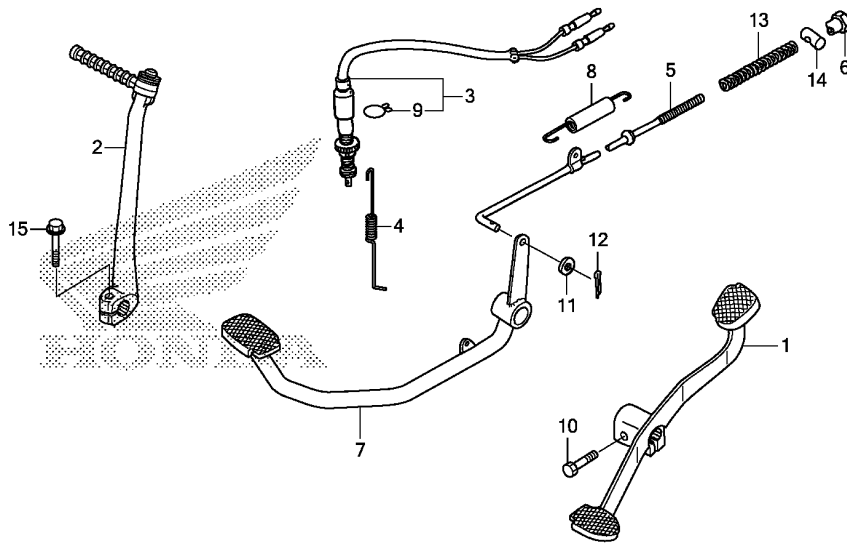
Ref. No.	L.O.N.	(Relative ref. Number) Description	F.R.T.
1	3131B4	GASKET, EXHAUST PIPE .....	0.2
4	313120	MUFFLER .....	0.2
5	411167	COVER, EXHAUST MUFFLER .....	0.1

3

Ref. No.	Part No.	Description	Reqd. QTY	Serial No.	Parts catalogue code
			AFB 110MD H		
1	18291-GE2-921	GASKET, EX. PIPE .....	1		
2	18293-MCA-A20	RUBBER, PROTECTOR PACKING ...	1		
3	18345-MBT-610	RUBBER, PROTECTOR MOUNTING ..	2		
4	18350-K89-V00	MUFFLER COMP., EX. ....	1		
5	18355-K89-V00	COVER, MUFFLER .....	1		
6	18421-KBA-900	RUBBER, MUFFLER MOUNTING ....	1		
7	18422-KBA-900	COLLAR, MUFFLER MOUNTING ....	1		
8	33619-459-840	COLLAR, WINKER STAY .....	2		
9	90101-KWW-B80	BOLT, SPECIAL(8X40) .....	1		
10	90107-KVV-900	BOLT, BODY COVER SETTING ....	2		
11	90301-KWB-600	NUT, FLANGE, 8MM .....	2		
12	90443-KPH-900	NUT, CAP, 8MM(SAN SHING) ....	1		
13	95701-08020-00	BOLT, FLANGE, 8X20 .....	1		

# F-29

# PEDAL/KICK STARTER ARM



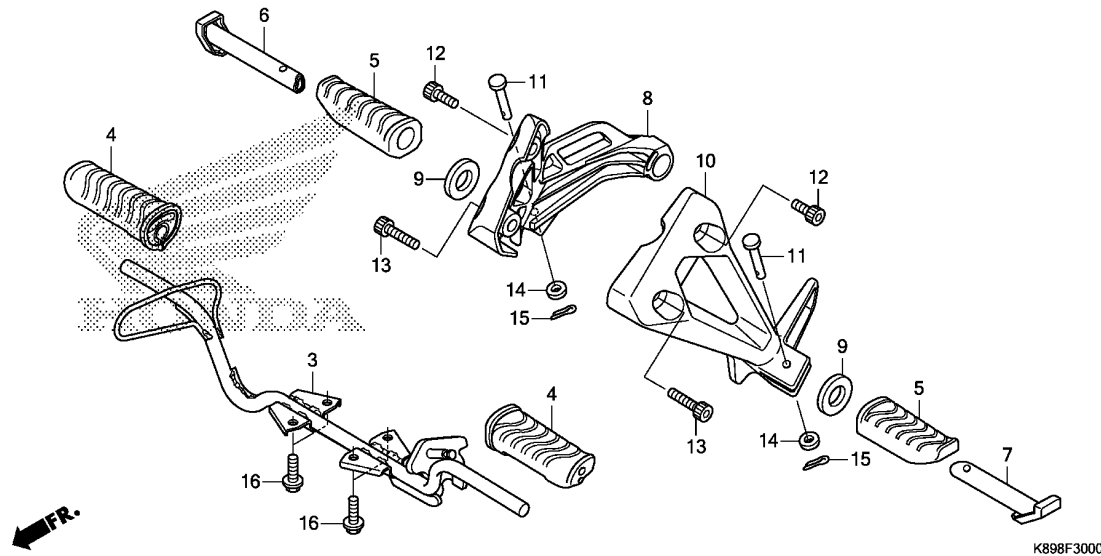
K898F2900

Ref. No.	L.O.N.	(Relative ref. Number) Description	F.R.T.
1	4101A1	PEDAL, GEAR CHANGE .....	0.1
2	112107	ARM, KICK STARTER .....	0.1
3	6151B5	SWITCH, REAR STOP :PEDAL SIDE .....	0.5
5	811135	ROD, REAR BRAKE .....	0.5
7	810160	PEDAL, REAR BRAKE .....	0.5

Ref. No.	Part No.	Description	Reqd. QTY	Serial No.	Parts catalogue code
			AFB 110MD H		
1	24701-KWW-621	PEDAL, GEAR CHANGE .....	1		
2	28300-K89-V00	ARM ASSY., KICK STARTER .....	1		
3	35350-KWW-642	SWITCH ASSY., RR. STOP .....	1		
4	35357-KCC-900	SPRING, STOP SWITCH .....	1		
5	43451-KWB-600	ROD COMP., RR. BRAKE .....	1		
6	43459-GN5-760	NUT, BRAKE ROD ADJUSTING .....	1		
7	46500-K57-V00	PEDAL COMP., BRAKE .....	1		
8	46513-KBP-900	SPRING ASSY., RR. BRAKE RETURN .....	1		
9	90601-KAF-003	CLIP, SWITCH COVER .....	1		
10	92101-06020-0A	BOLT, HEX., 6X20 .....	1		
11	94101-05000	WASHER, PLAIN, 5MM .....	1		
12	94201-20150	PIN, SPLIT, 2.0X15 .....	1		
13	95014-73100	SPRING A, BRAKE ROD .....	1		
14	95015-32001	JOINT B, BRAKE ARM .....	1		
15	95701-06025-00	BOLT, FLANGE, 6X25 .....	1		

# F-30

# STEP



Ref. No.	L.O.N.	(Relative ref. Number) Description	F.R.T.
3	410145	BAR, STEP .....	0.4
4	4101D3	RUBBER, STEP :LEFT .....	0.1
	4101D4	RUBBER, STEP :RIGHT .....	0.1
	4101L8	RUBBER, STEP :BOTH .....	0.1
5	4101DX	RUBBER, PILLION STEP :LEFT ...	0.1
	4101DY	RUBBER, PILLION STEP :RIGHT ..	0.1
	4101DZ	RUBBER, PILLION STEP :BOTH ...	0.1
6	4101C8	BAR, PILLION STEP :RIGHT .....	0.1
7	4101C7	BAR, PILLION STEP :LEFT .....	0.1
	4101P4	BAR, PILLION STEP :BOTH .....	0.2
8	4101D0	BRACKET, PILLION STEP :RIGHT ..	0.6
10	4101C9	BRACKET, PILLION STEP :LEFT ..	0.6
	4101K4	BRACKET, PILLION STEP :BOTH ...	0.8

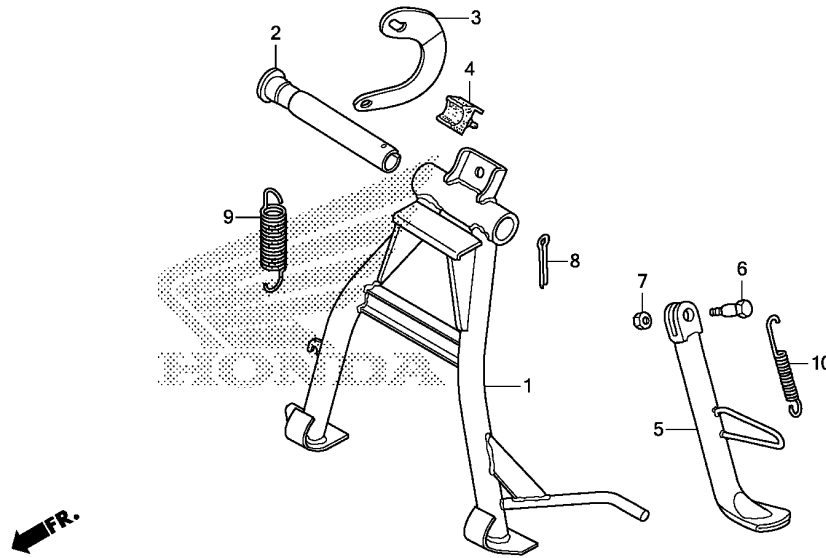
K898F3000

3

Ref. No.	Part No.	Description	Reqd. QTY	Serial No.	Parts catalogue code
			AFB 110MD H		
3	50610-K89-V00	BAR COMP., STEP .....	1		
4	50661-KWB-600	RUBBER, STEP .....	2		
5	50710-KWB-600	RUBBER, PILLION STEP .....	2		
6	50711-KBP-900	BAR, R. PILLION STEP .....	1		
7	50712-KBP-900	BAR, L. PILLION STEP .....	1		
8	50715-K07-940	HOLDER, R. PILLION STEP .....	1		
9	50715-KE8-000	PLATE, PILLION STEP SIDE .....	2		
10	50716-KWW-E00	HOLDER, L. PILLION STEP .....	1		
11	90131-KWB-600	PIN, PILLION STEP .....	2		
12	90135-KWB-600	BOLT, SOCKET, 8X16 .....	2		
13	90136-KWB-600	BOLT, SOCKET, 8X32 .....	2		
14	94101-06000	WASHER, PLAIN, 6MM .....	2		
15	94201-16150	PIN, SPLIT, 1.6X15 .....	2		
16	95701-08018-00	BOLT, FLANGE, 8X18 .....	4		

# F-31

# STAND



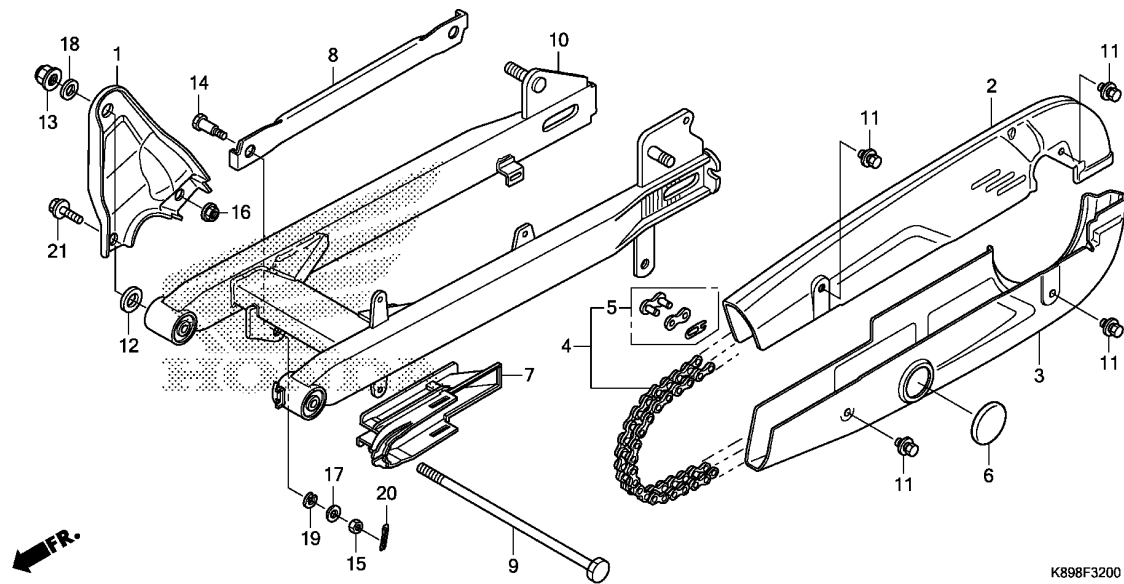
K898F3100

Ref. No.	L.O.N.	(Relative ref. Number) Description	F.R.T.
1		(2)	
410175		STAND, MAIN .....	0.5
5	410180	BAR, SIDE STAND .....	0.2
9		(3)	
410176		SPRING, MAIN STAND .....	0.2
10	410182	SPRING, SIDE STAND .....	0.1

Ref. No.	Part No.	Description	Reqd. QTY	Serial No.	Parts catalogue code
			AFB 110MD H		
1	50500-K89-V00	STAND COMP., MAIN .....	1		
2	50512-KWW-620	SHAFT, RR. BRAKE PIVOT .....	1		
3	50523-KWB-920	HOOK, MAIN STAND SPRING .....	1		
4	50524-397-000	RUBBER, STAND STOPPER .....	1		
5	50530-KWW-B20	BAR COMP., SIDE STAND .....	1		
6	90108-223-000	SCREW, SIDE STAND PIVOT .....	1		
7	94002-10000-0S	NUT, HEX., 10MM .....	1		
8	94201-30300	PIN, SPLIT, 3.0X30 .....	1		
9	95014-71102	SPRING A, MAIN STAND .....	1		
10	95014-72102	SPRING A, SIDE STAND .....	1		

# F-32

# SWINGARM



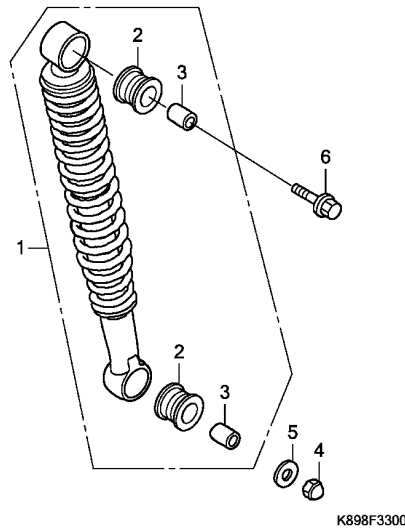
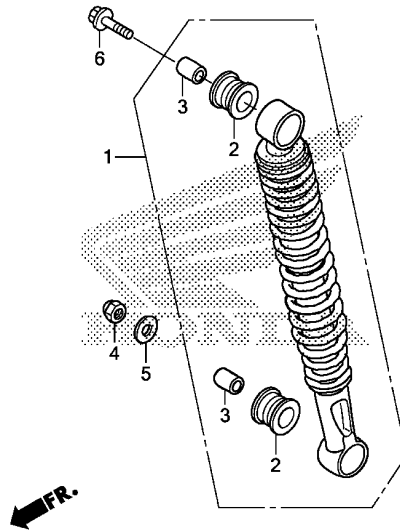
Ref. No.	L.O.N.	(Relative ref. Number) Description	F.R.T.
1	3131B7	BRACKET, MUFFLER .....	0.2
2	4101L9	CASE, DRIVE CHAIN :UPPER .....	0.1
3	4101M0	CASE, DRIVE CHAIN :LOWER .....	0.1
	4101P7	CASE, DRIVE CHAIN :BOTH .....	0.1
4	213165	CHAIN, DRIVE .....	0.2
7	4101E5	SLIDER, CHAIN .....	0.3
8	7111H2	ARM, REAR BRAKE STOPPER .....	0.3
10	5121B0	SWINGARM ASSEMBLY .....	0.8

**3**

Ref. No.	Part No.	Description	Reqd. QTY	Serial No.	Parts catalogue code
			AFB 110MD H		
1	18315-K89-V00	BRACKET, MUFFLER .....	1		
2	40510-KWW-600ZB	CASE, UPPER HALF DRIVE CHAIN *NH1*.....BLACK	1		
3	40520-KWW-B20ZB	CASE, UNDER HALF DRIVE CHAIN *NH1*.....BLACK	1		
4	40530-KWW-B21	CHAIN, DRIVE(420-102L)(KMC)	1		
5	40531-KWW-B21	JOINT, DRIVE CHAIN(KMC) .....	1		
6	40545-001-000	CAP, CHAIN CASE PEEP HOLE ...	1		
7	40591-KWW-600	PACKING, DRIVE CHAIN CASE ...	1		
8	43431-K57-V00	ARM, RR. BRAKE STOPPER .....	1		
9	52101-KWB-920	BOLT, SWINGARM PIVOT .....	1		
10	52200-K89-V00ZA	SWINGARM SET, RR. *NH1*.....BLACK	1		
11	90118-383-000	BOLT-WASHER, 6X6 .....	4		
12	90122-KWB-600	WASHER, PIVOT BOLT .....	1		
13	90306-K66-V01	NUT, FLANGE, 12MM(PT) .....	1		
14	92812-10000	BOLT A, STOPPER ARM .....	1		
15	94001-08000-0S	NUT, HEX., 8MM .....	1		
16	94050-08000	NUT, FLANGE, 8MM .....	1		
17	94101-08000	WASHER, PLAIN, 8MM .....	1		
18	94101-12000	WASHER, PLAIN, 12MM .....	1		
19	94111-10000	WASHER, SPRING, 10MM .....	1		
20	94201-20150	PIN, SPLIT, 2.0X15 .....	1		
21	95701-08012-00	BOLT, FLANGE, 8X12 .....	1		

# F-33

# REAR CUSHION

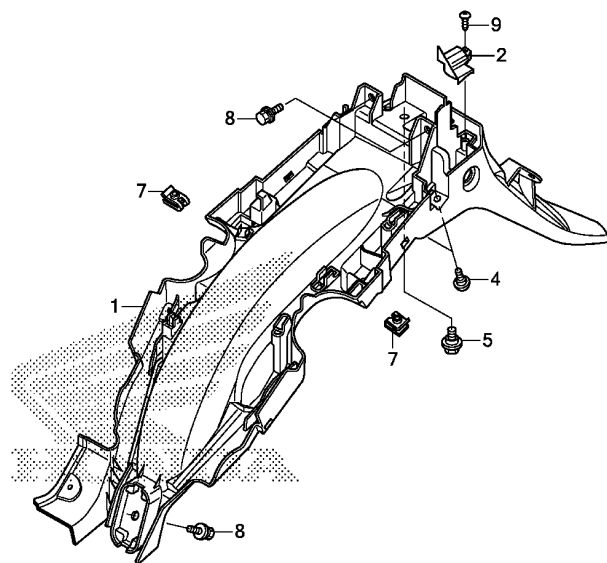


Ref. No.	L.O.N.	(Relative ref. Number) Description	F.R.T.
1	5121B6	CUSHION ASSY., REAR :LEFT	0.5
	5121B7	CUSHION ASSY., REAR :RIGHT	0.5
	5121B8	CUSHION ASSY., REAR :BOTH	0.6

Ref. No.	Part No.	Description	Reqd. QTY	Serial No.	Parts catalogue code
			AFB 110MD H		
1	52400-KWW-B21	CUSHION ASSY., RR.(SHOWA)	2		
2	52485-KVY-901	BUSH, RUBBER(SHOWA)	4		
3	52486-GA7-003	COLLAR, RUBBER BUSH(SHOWA)	4		
4	90301-KTL-V00	NUT, HEX. CAP, 10MM	2		
5	94101-10000	WASHER, PLAIN, 10MM	2		
6	95801-10035-00	BOLT, FLANGE, 10X35	2		

# F-34

# REAR FENDER



K898F3400

Ref. No.	L.O.N. (Relative ref. Number)	Description	F.R.T.
1	413102	FENDER, REAR .....	0.7

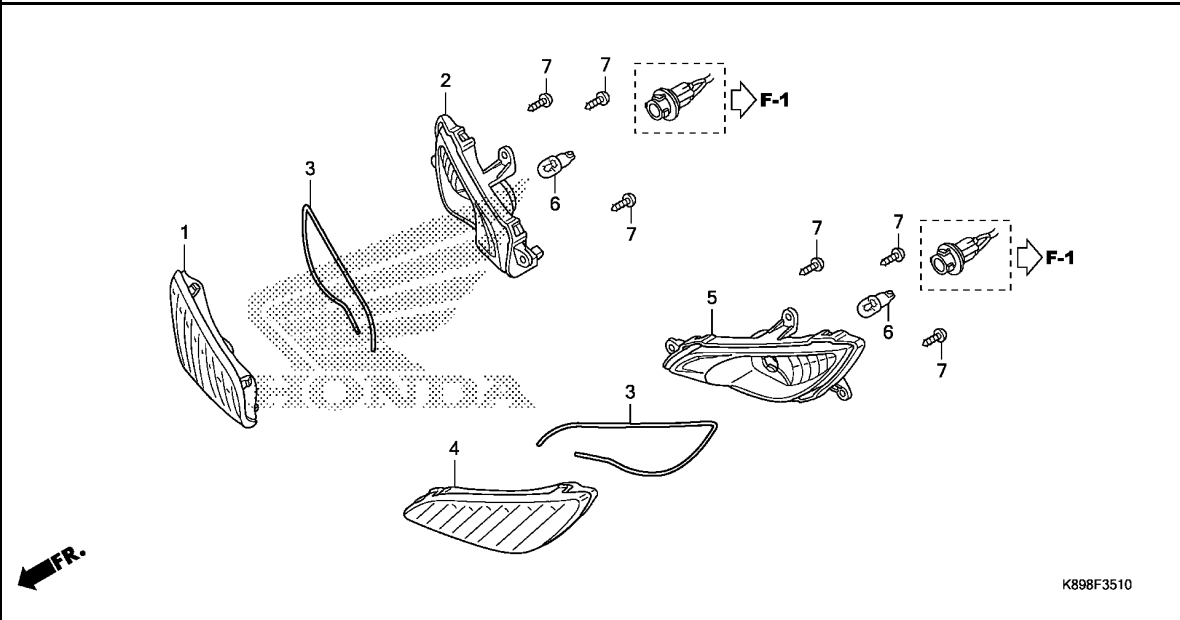
3

Ref. No.	Part No.	Description	Reqd. QTY	Serial No.	Parts catalogue code
			AFB 110MD H		
1	80110-K89-V00ZA	FENDER SET, RR.(WL) *TYPE1*	1		
2	80120-K57-V00	COVER, SEAT LOCK .....	1		
4	90115-KWW-620	SCREW, VISOR SPECIAL SETTING	2		
5	90116-KVB-900	BOLT, FLANGE, 6MM .....	1		
7	90677-KAN-T00	NUT, CLIP, 5MM .....	2		
8	93404-06012-08	BOLT-WASHER, 6X12 .....	3		
9	93903-34310	SCREW, TAPPING, 4X12 .....	1		



# F-35-10

# FRONT WINKER



Ref. No.	L.O.N.	(Relative ref. Number) Description	F.R.T.
2	(1,3)		
6161D0		BASE, WINKER :RIGHT FRONT ....	0.2
5	(3,4)		
6161C9		BASE, WINKER :LEFT FRONT .....	0.2
6161D1		BASE, WINKER :BOTH FRONT .....	0.3
6	616133	BULB, WINKER :FRONT .....	0.2
		.NOTE: Same time for two units	
	6161G0	BULB, WINKER :FOR 1 VEHICLE ..	0.3

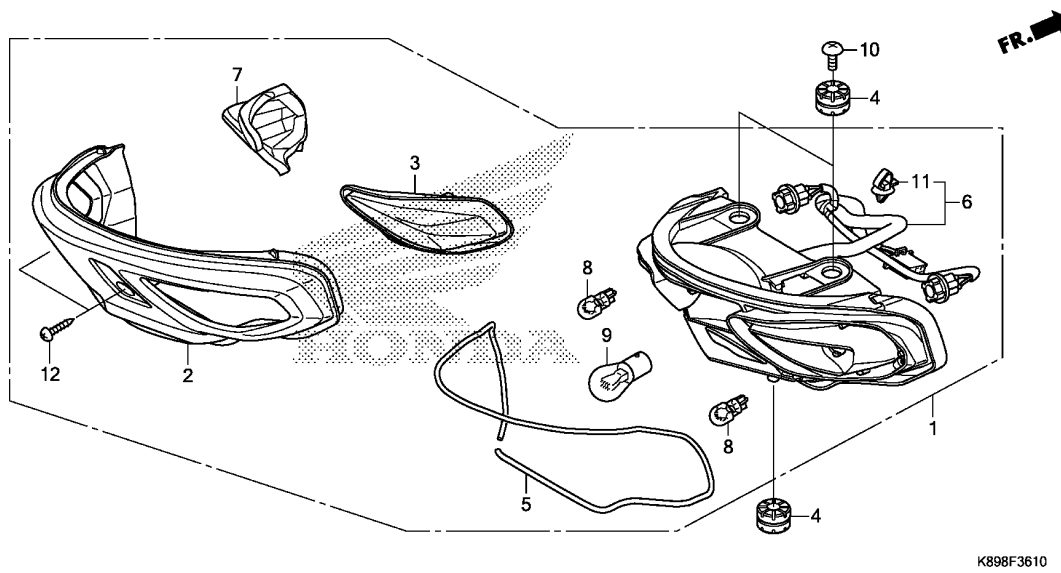
K898F3510

Ref. No.	Part No.	Description	Reqd. QTY	Serial No.	Parts catalogue code
			AFB 110MD H		
1	33402-KTL-641	LENS, R. FR. WINKER .....	1		
2	33403-KTL-641	BASE, R. WINKER .....	1		
3	33404-KTL-691	SEAL, GASKET .....	2		
4	33452-KTL-641	LENS, L. FR. WINKER .....	1		
5	33453-KTL-641	BASE, L. WINKER .....	1		
6	34905-KAN-W01	BULB, WINKER(12V 10W) (AMBER) (STANLEY)	2		
7	93903-34380	SCREW, TAPPING, 4X12 .....	6		



# F-36-10

# REAR COMBINATION LIGHT



Ref. No.	L.O.N.	(Relative ref. Number) Description	F.R.T.
1	6161D5	TAILLIGHT UNIT .....	0.5
6	6161E2	BASE, TAILLIGHT .....	0.5
8		(2,3,5,7)	
	616139	BULB, WINKER :REAR .....	0.1
		.NOTE: Same time for two units	
9	6161G0	BULB, WINKER :FOR 1 VEHICLE ..	0.3
		(2,3,5,7)	
	6161G1	BULB, TAILLIGHT .....	0.1

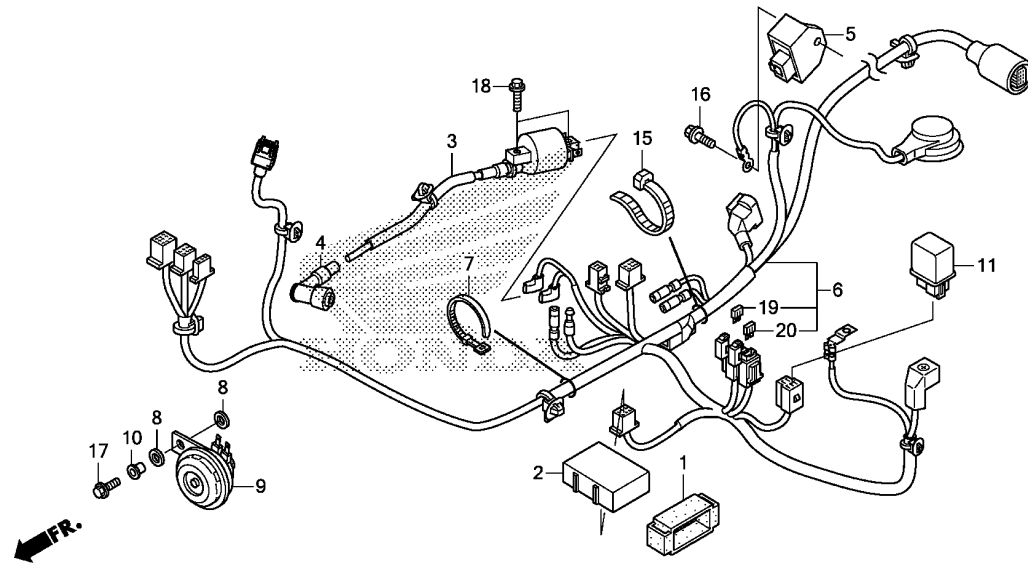
K898F3610

Ref. No.	Part No.	Description	Reqd. QTY	Serial No.	Parts catalogue code
			AFB 110MD H		
1	33700-K89-V02	LIGHT ASSY., RR. COMBINATION (12V 18/5W)	1		
2	33702-K89-V02	LENS COMP., TAILLIGHT .....	1		
3	33703-K89-V01	LENS COMP., R. RR. WINKER ...	1		
4	33705-KW7-900	RUBBER A, TAILLIGHT MOUNTING	3		
5	33706-K89-V01	GASKET .....	1		
6	33710-K89-V01	BASE COMP., TAILLIGHT .....	1		
7	33753-K89-V01	LENS COMP., L. RR. WINKER ...	1		
8	34905-KAN-W01	BULB, WINKER(12V 10W)(AMBER) (STANLEY)	2		
9	34906-GB6-921	BULB, TAILLIGHT(12V 18/5W) (STANLEY)	1		
10	90107-KGH-600	SCREW, 6X12 .....	2		
11	91540-K29-901	CLIP, BAND HARNESS .....	1		
12	93901-34480	SCREW, TAPPING, 4X16 .....	2		

3

# F-38

# WIRE HARNESS



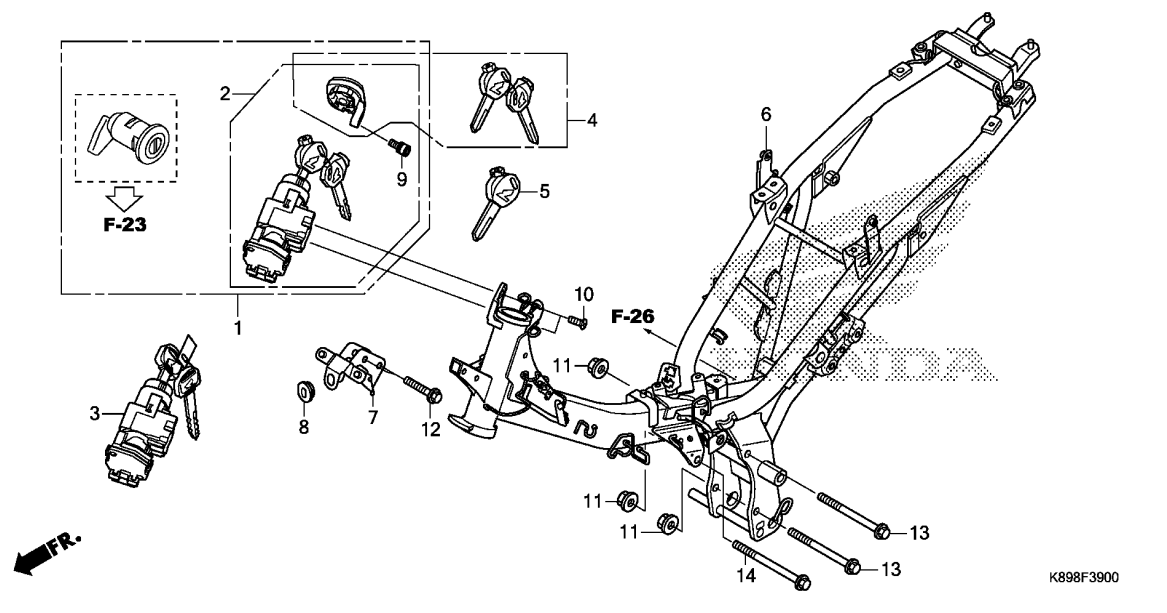
K898F3800

Ref. No.	L.O.N.	(Relative ref. Number) Description	F.R.T.
2	6141A1	IGNITION CONTROL MODULE .....	0.3
3	614105	COIL, IGNITION .....	0.7
5	6131B2	RECTIFIER, REGULATE .....	0.6
6	611100	HARNESS, WIRE .....	0.9
9	616169	HORN .....	0.4
11	6111C5	RELAY, STARTER .....	0.2

Ref. No.	Part No.	Description	Reqd. QTY	Serial No.	Parts catalogue code
			AFB 110MD H		
1	30401-KTE-910	CUSHION, C.D.I. UNIT .....	1		
2	30410-K89-V01	C.D.I. UNIT(SHINDENGEN) .....	1		
3	30510-K57-V01	COIL ASSY., IGNITION .....	1		
4	30700-K03-V01	CAP ASSY., NOISE SUPPRESSOR ..	1		
5	31600-KVB-N51	RECTIFIER COMP., REGULATOR ..	1		
6	32100-K89-V00	HARNESS, WIRE .....	1		
7	32161-KRS-600	BAND B1, WIRE .....	1		
8	33714-KL3-620	RUBBER, TAILLIGHT BRACKET ...	2		
9	38110-KWW-B21	HORN COMP. ....	1		
10	38117-KPH-880	COLLAR, HORN SETTING .....	1		
11	38501-KWY-A31	RELAY COMP., STARTER(MITSUBA)	1		
15	90620-SB2-003	BAND, WIRE HARNESS .....	1		
16	95701-06014-00	BOLT, FLANGE, 6X14 .....	1		
17	95701-06016-00	BOLT, FLANGE, 6X16 .....	1		
18	95701-06020-00	BOLT, FLANGE, 6X20 .....	2		
19	98200-40750	FUSE, MINI(7.5A) .....	1		
20	98200-41000	FUSE, MINI(10A) .....	1		

# F-39

# FRAME BODY



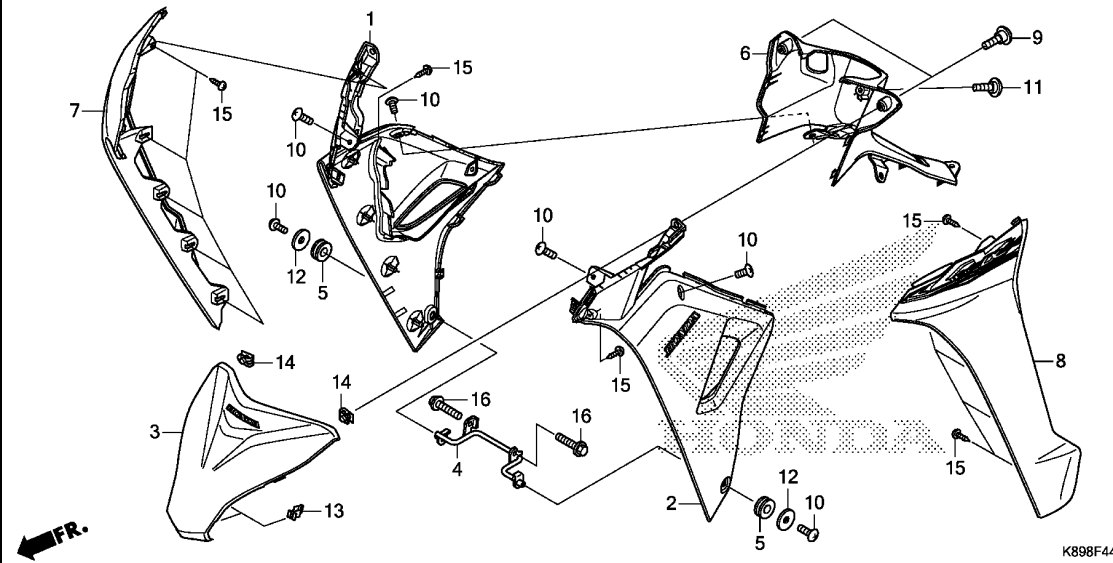
Ref. No.	L.O.N.	(Relative ref. Number) Description	F.R.T.
1	6151A1	KEY SET .....	2.1
3		(2)	
	615145	SWITCH, COMBINATION & LOCK ...	2.0
4	6151A2	KEY, SHUTTER .....	1.9
		.EXCLUDES: Key cutting	
6	410100	BODY, FRAME .....	5.7
		.INCLUDES: Engine removal and installation	
7	411105	STAY, FRONT COVER .....	0.4

**3**

Ref. No.	Part No.	Description	Reqd. QTY	Serial No.	Parts catalogue code
			AFB 110MD H		
1	35010-K89-V00	KEY SET .....	1		
2	35100-K81-N01	SWITCH ASSY., COMBINATION & LOCK	1		
3	35101-K81-N01	SWITCH COMP., COMBINATION & LOCK	1		
4	35110-K81-N01	SHUTTER, KEY .....	1		
5	35121-KVY-900	KEY, BLANK .....	1		
		(90TAGTOP2REPORDER)	(1)		
6	50100-K89-V00	BODY COMP., FRAME .....	1		
7	64221-K89-V00	STAY, FR. TOP COVER(DRUM) ...	1		
8	83551-GE2-000	GROMMET, AIR CLEANER CASE ...	1		
9	90111-MR5-000	BOLT, SOCKET, 5X9 .....	1		
10	90164-KZL-A00	SCREW, U-LOCK FLAT, 6X12 ....	2		
11	94050-10080	NUT, FLANGE, 10MM .....	3		
12	95701-08032-00	BOLT, FLANGE, 8X32 .....	2		
13	95801-10105-08	BOLT, FLANGE, 10X105 .....	2		
14	95801-10110-08	BOLT, FLANGE, 10X110 .....	1		

# F-44

# FRONT COVER/MAIN PIPE COVER



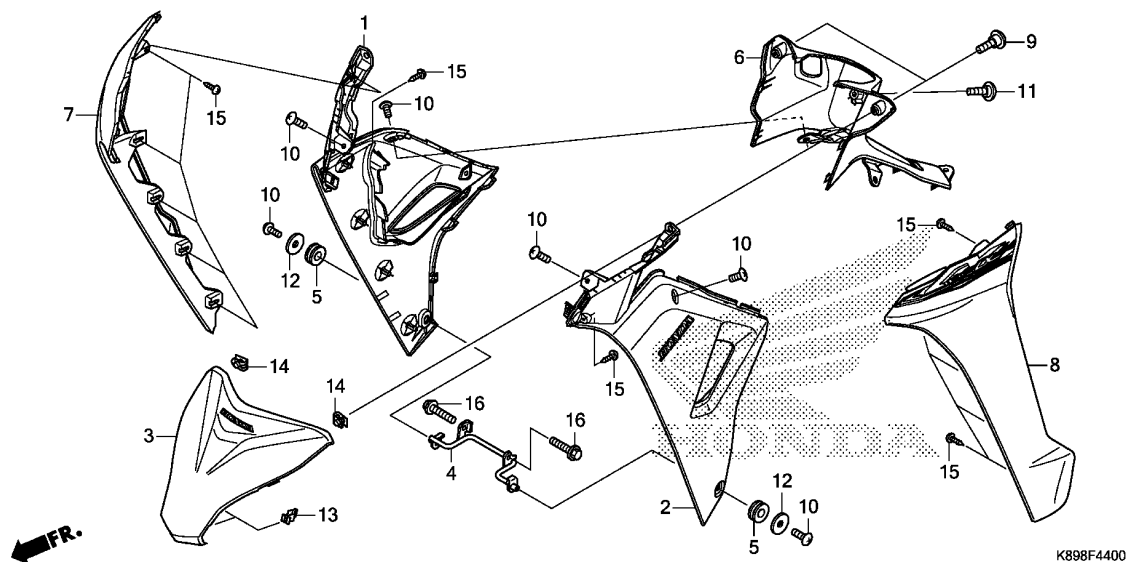
Ref. No.	L.O.N.	(Relative ref. Number) Description	F.R.T.
1	4131S9	COVER, MAIN PIPE SIDE :RIGHT	0.3
2	4131S8	COVER, MAIN PIPE SIDE :LEFT	0.3
3	4131T0	COVER, MAIN PIPE SIDE :BOTH	0.4
3	4111E3	COVER, FRONT	0.1
6	4131JP	COVER, MAIN PIPE	0.4
7	4131S6	LEGSHIELD :RIGHT	0.3
8	4131S5	LEGSHIELD :LEFT	0.3
	4131S7	LEGSHIELD :BOTH	0.4

Ref. No.	Part No.	Description	Reqd. QTY	Serial No.	Parts catalogue code
			AFB 110MD H		
1	64200-K89-V00ZA	COVER SET, R. MAIN PIPE SIDE (WL)			
		*NH411M*FORCE SILVER METALLIC	1		
2	64250-K89-V00ZA	COVER SET, L. MAIN PIPE SIDE (WL)			
		*NH411M*FORCE SILVER METALLIC	1		
3	64300-K89-V00ZA	COVER SET, FR. TOP(WL)			
		*TYPE5*	1		
	64300-K89-V00ZB	*TYPE4*	1		
	64300-K89-V00ZC	*TYPE3*	1		
	64300-K89-V00ZD	*TYPE2*	1		
	64300-K89-V00ZE	*TYPE1*	1		
4	64311-K89-V00	STAY, LOWER COVER	1		
5	64312-KWW-640	GROMMET, MAIN PIPE COVER	2		
6	64320-K89-V00ZA	COVER, MAIN PIPE			
		*NH1*.....BLACK	1		
7	64430-K89-V00ZA	SHIELD, R. LEG			
		*R263*.....MILLENNIUM RED	1		
	64430-K89-V00ZB	*NHB55P*..PEARL ICEBERG WHITE	1		
	64430-K89-V00ZC	*NHB25M* POSEIDON BLACK METALLIC	1		
	64430-K89-V00ZD	*GY150P*..PEARL CELADON GREEN	1		
	64430-K89-V00ZE	*B203M*DELICATE BLUE METALLIC	1		
8	64770-K89-V00ZA	SHIELD SET, L. LEG(WL)			
		*TYPE5*	1		
	64770-K89-V00ZB	*TYPE4*	1		
	64770-K89-V00ZC	*TYPE3*	1		
	64770-K89-V00ZD	*TYPE2*	1		



# F-44

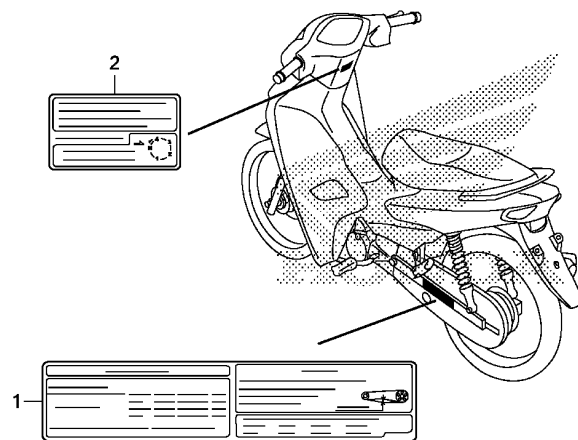
# FRONT COVER/MAIN PIPE COVER



Ref. No.	Part No.	Description	Reqd. QTY AFB 110MD H	Serial No.	Parts catalogue code
(8)	64770-K89-V00ZE	SHIELD SET, L. LEG(WL) *TYPE1*	1		
9	90104-KPH-900	SCREW, SPECIAL, 5MM	2		
10	90107-KGH-600	SCREW, 6X12	6		
11	90115-KW7-900	SCREW, VISOR SPECIAL SETTING	1		
12	90501-KST-920	WASHER, SEAT MOUNTING, 6MM	2		
13	90666-K59-A11	CLIP, SNAP FITTING(PO)	2		
14	90677-KAN-T00	NUT, CLIP, 5MM	2		
15	93903-34380	SCREW, TAPPING, 4X12	12		
16	96001-06020-00	BOLT, FLANGE, 6X20	2		

**F-49**

**CAUTION LABEL**



K898F4900

Ref. No.	L.O.N.	(Relative ref. Number)	Description	F.R.T.
----------	--------	------------------------	-------------	--------

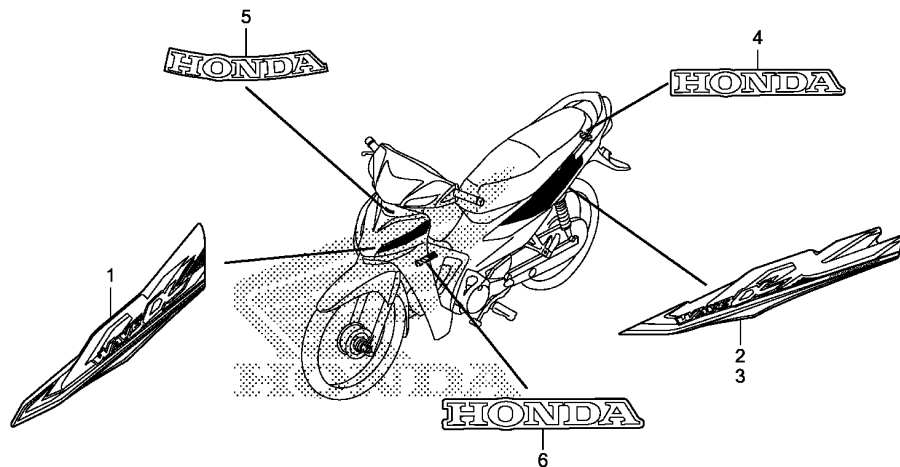
NO INFORMATION .....

**3**

Ref. No.	Part No.	Description	Reqd. QTY	Serial No.	Parts catalogue code
			AFB 110MD H		
1	87505-KYZ-V00	LABEL, TIRE & DRIVE CHAIN ...	1		
2	87560-KTM-900	MARK, DRIVE CAUTION .....	1		

**F-50**

**STRIPE/MARK**



K898F5000

Ref. L.O.N. (Relative ref. Number) F.R.T.  
No. Description

NO INFORMATION .....

Ref. No.	Part No.	Description	Reqd. QTY	Serial No.	Parts catalogue code
			AFB 110MD H		
1	86643-K89-V00ZA	STRIPE, L. LEG SHIELD	1		
		*TYPE5*	1		
	86643-K89-V00ZB	*TYPE4*	1		
	86643-K89-V00ZC	*TYPE3*	1		
	86643-K89-V00ZD	*TYPE2*	1		
	86643-K89-V00ZE	*TYPE1*	1		
2	86644-K89-V00ZA	STRIPE, R. BODY COVER	1		
		*TYPE5*	1		
	86644-K89-V00ZB	*TYPE4*	1		
	86644-K89-V00ZC	*TYPE3*	1		
	86644-K89-V00ZD	*TYPE2*	1		
	86644-K89-V00ZE	*TYPE1*	1		
3	86645-K89-V00ZA	STRIPE, L. BODY COVER	1		
		*TYPE5*	1		
	86645-K89-V00ZB	*TYPE4*	1		
	86645-K89-V00ZC	*TYPE3*	1		
	86645-K89-V00ZD	*TYPE2*	1		
	86645-K89-V00ZE	*TYPE1*	1		
4	87110-KVM-830ZA	MARK, HONDA(60MM)	1		
		*TYPE1*	1		
5	87120-KVR-910ZA	MARK, HONDA(85MM)	1		
		*TYPE1*	1		
	87120-KVR-910ZB	*TYPE2*	1		
6	87130-KTL-640ZA	MARK, HONDA(110MM)	2		
		*TYPE1*	2		