

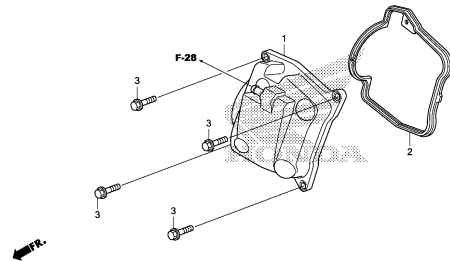
# ENGINE GROUP

C11

E-2

CYLINDER HEAD COVER

D 1

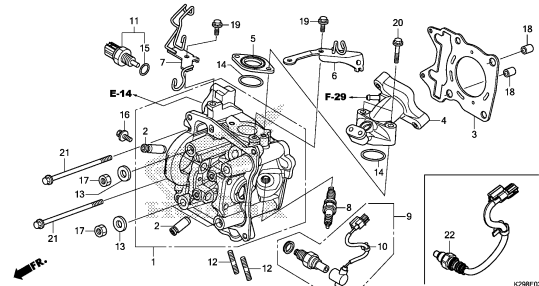


K29RE0200

E-3

CYLINDER HEAD

D 2

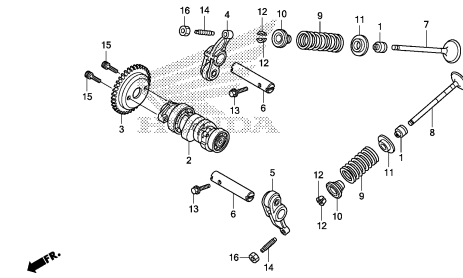


K29RE0300A

E-4

CAMSHAFT/VALVE

D 4

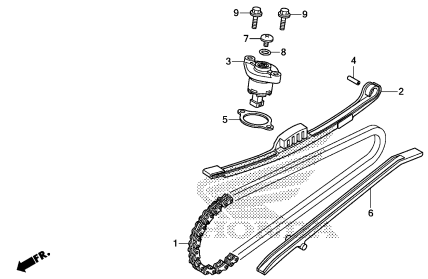


K29RE0400

E-5

CAM CHAIN/TENSIONER

D 6

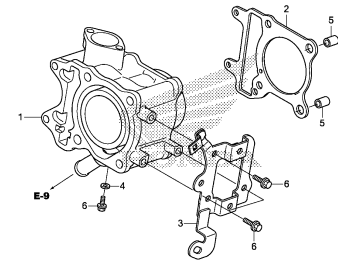


K29RE0500

E-6

CYLINDER

D 7

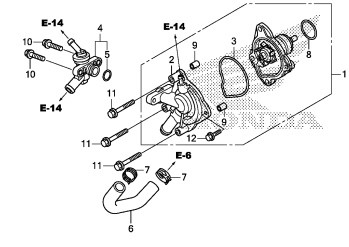


K29RE0600

E-9

WATER PUMP

D 8

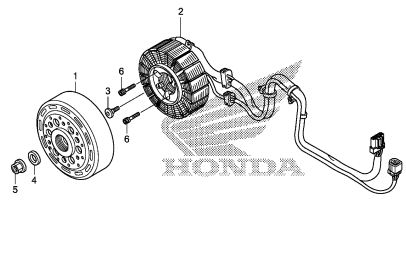


K29RE0900

E-10

A.C.G. STARTER

D 9

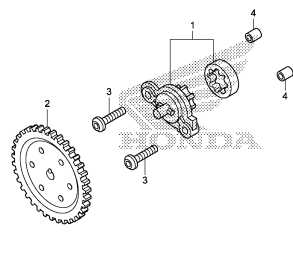


K29RE1000

E-11

OIL PUMP

D10

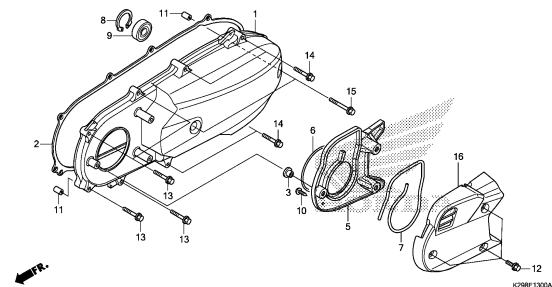


K29RE1100

E-13

LEFT SIDE COVER

D11



K29RE1300A

2

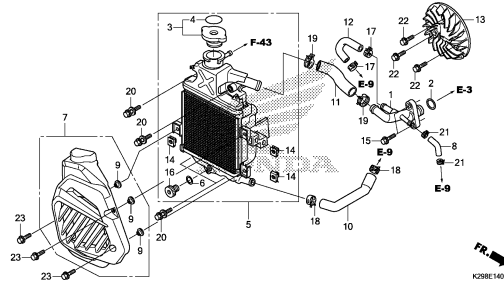
# ENGINE GROUP

C12

E-14

RADIATOR

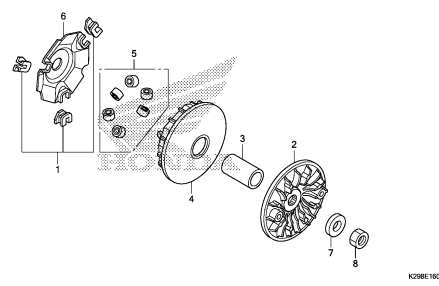
D12



E-16

DRIVE FACE

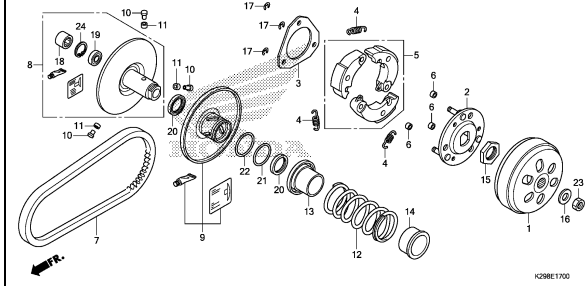
D13



E-17

DRIVEN FACE

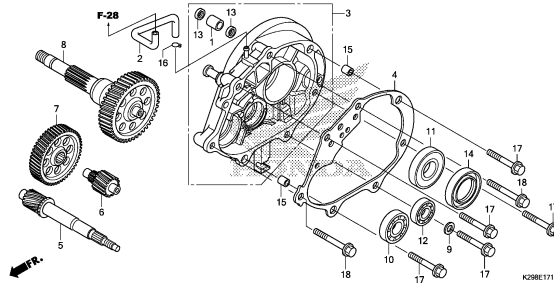
D14



E-17-10

TRANSMISSION

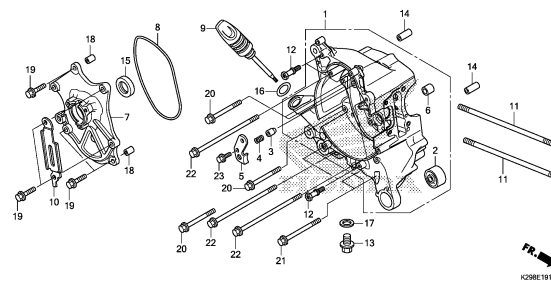
D16



E-19-10

RIGHT CRANKCASE

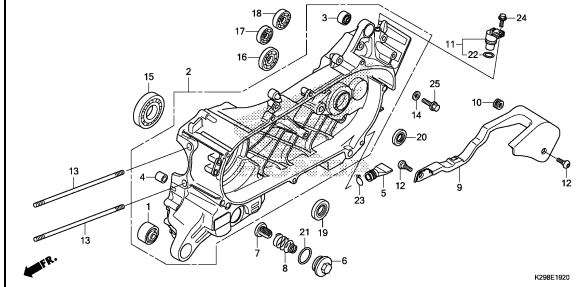
E 1



E-19-20

LEFT CRANKCASE

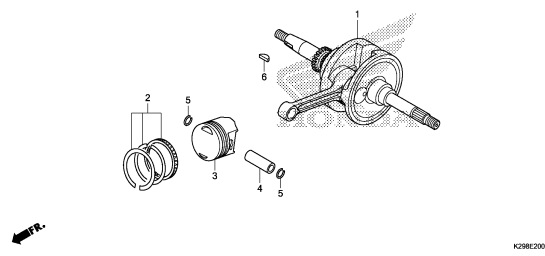
E 2



E-20

CRANKSHAFT/PISTON

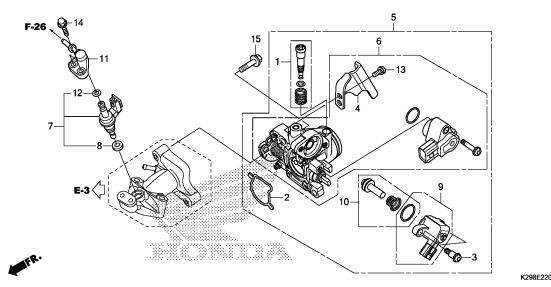
E 4



E-22

THROTTLE BODY/FUEL INJECTOR

E 5



2

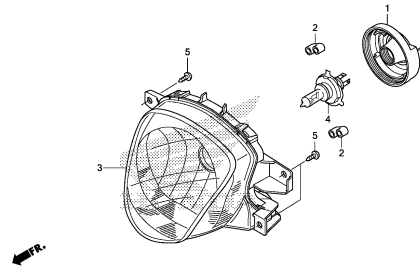
# FRAME GROUP

**C13**

**F-1**

**HEADLIGHT**

**F 1**

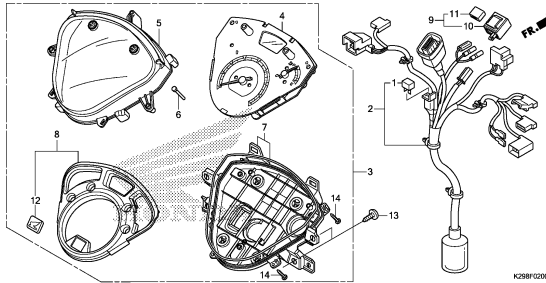


K29BF0100

**F-2**

**METER**

**F 2**

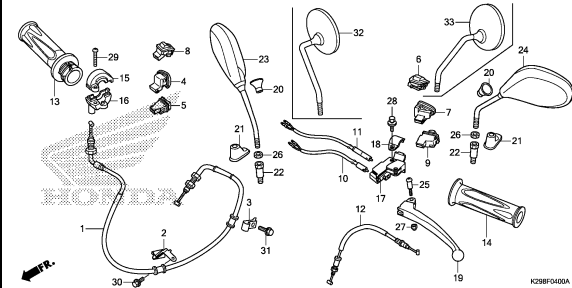


K29BF0200A

**F-4**

**HANDLE LEVER/SWITCH/CABLE**

**F 3**

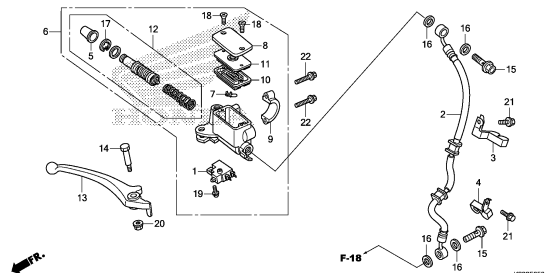


K29BF0400A

**F-5**

**FRONT BRAKE MASTER CYLINDER**

**F 5**

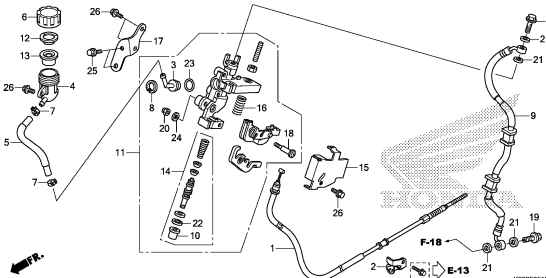


K29BF0500

**F-5-10**

**BRAKE MASTER CYLINDER(CBS)**

**F 6**

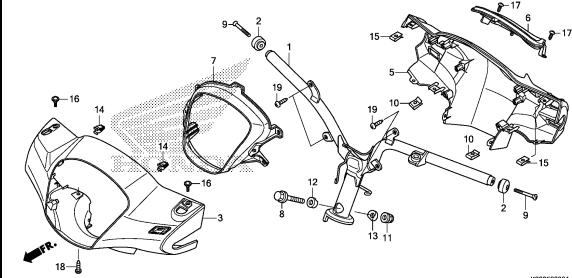


K29BF0610

**F-9**

**HANDLE PIPE/HANDLE COVER**

**F 8**

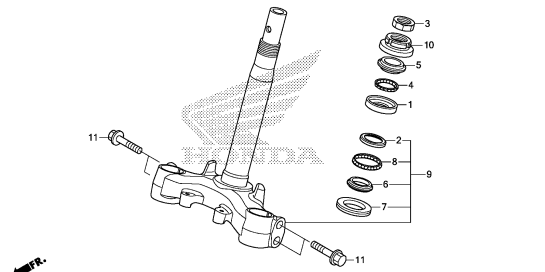


K29BF0900A

**F-10**

**STEERING STEM**

**F10**

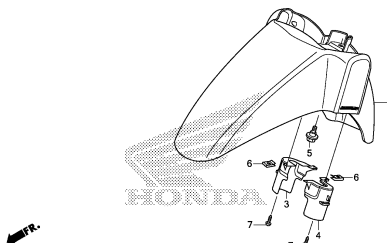


K29BF1000

**F-11**

**FRONT FENDER**

**F11**

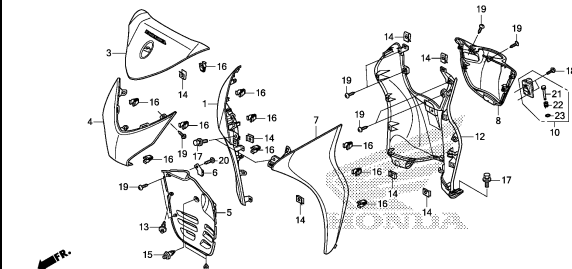


K29BF1100A

**F-12**

**FRONT COVER**

**F12**



K29BF1200C

**3**

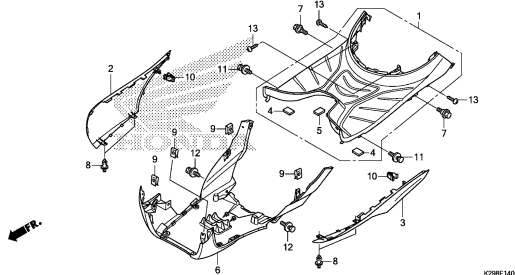
# FRAME GROUP

**C14**

**F-14**

FLOOR STEP/UNDER COVER

**F15**

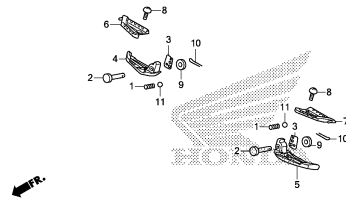


K29BF1400

**F-14-10**

PILLION STEP

**G 1**

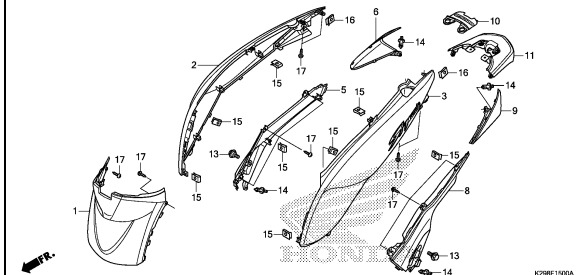


K29BF1410

**F-15**

BODY COVER

**G 2**

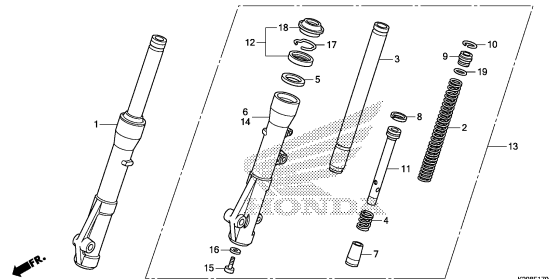


K29BF1500A

**F-17**

FRONT FORK

**G 5**

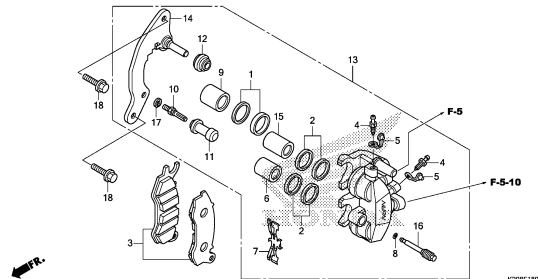


K29BF1700

**F-18**

FRONT BRAKE CALIPER

**G 6**

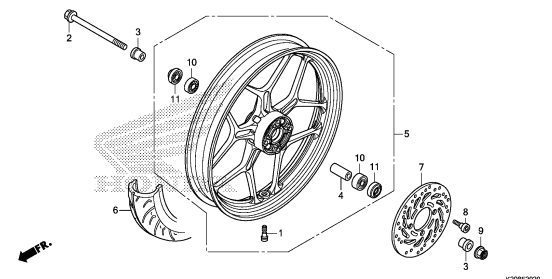


K29BF1800A

**F-20-20**

FRONT WHEEL

**G 7**

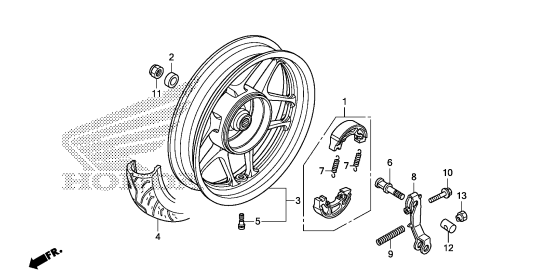


K29BF2000

**F-22-10**

REAR WHEEL

**G 8**

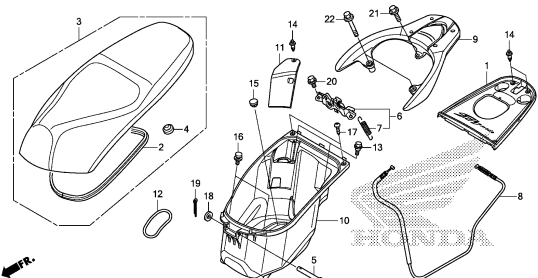


K29BF2210

**F-24**

SEAT/LUGGAGE BOX

**G 9**

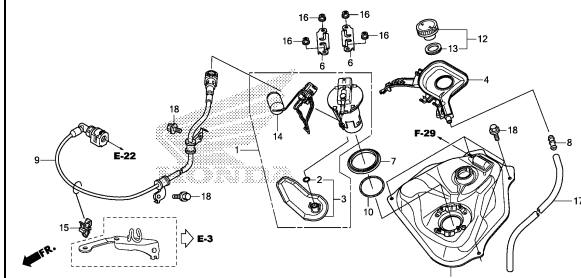


K29BF2400

**F-26**

FUEL TANK

**G11**



K29BF2600A

**3**

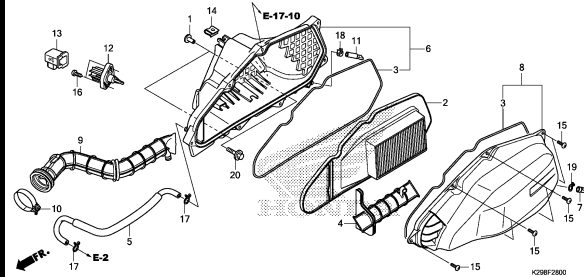
# FRAME GROUP

**C15**

**F-28**

**AIR CLEANER**

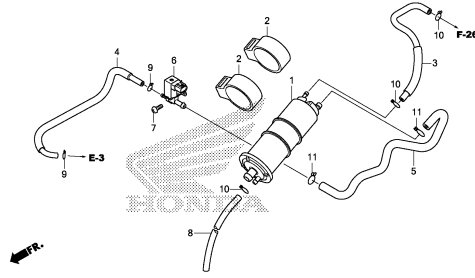
**G12**



**F-29**

**CANISTER**

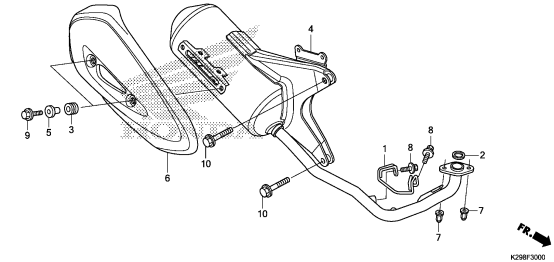
**G13**



**F-30**

**EXHAUST MUFFLER**

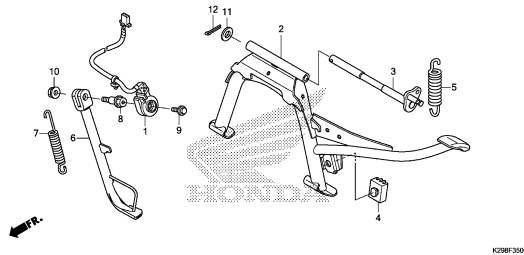
**G14**



**F-35**

**STAND**

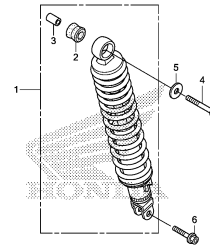
**G15**



**F-36**

**REAR CUSHION**

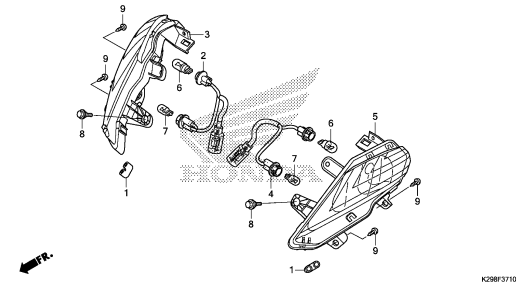
**G16**



**F-37-10**

**FRONT WINKER**

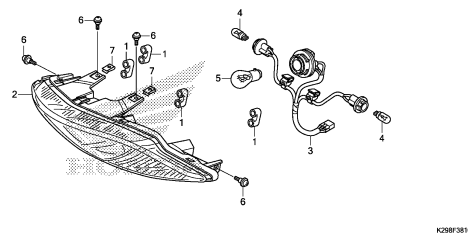
**H 1**



**F-38-10**

**REAR COMBINATION LIGHT**

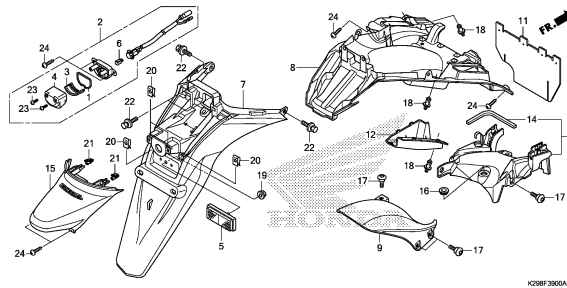
**H 2**



**F-39**

**REAR FENDER/LICENSE LIGHT**

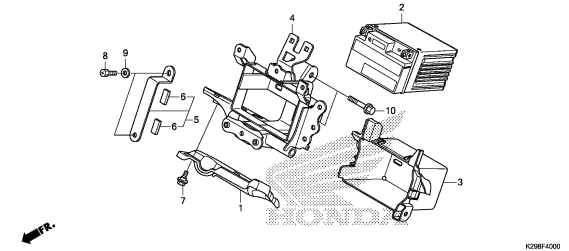
**H 3**



**F-40**

**BATTERY**

**H 5**



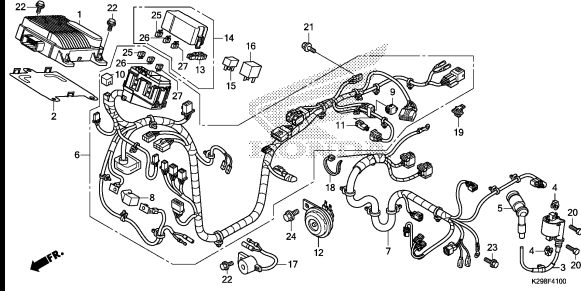
# FRAME GROUP

C16

F-41

WIRE HARNESS

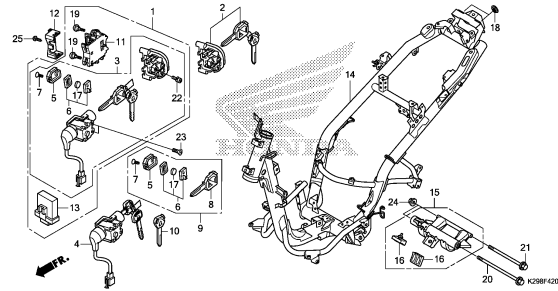
H 6



F-42

FRAME BODY

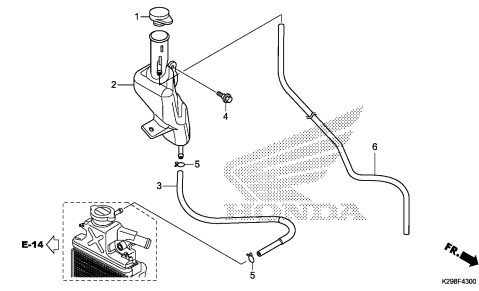
H 8



F-43

RESERVE TANK

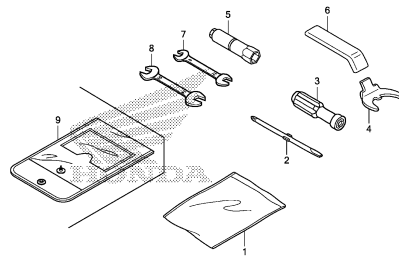
H10



F-46

TOOL

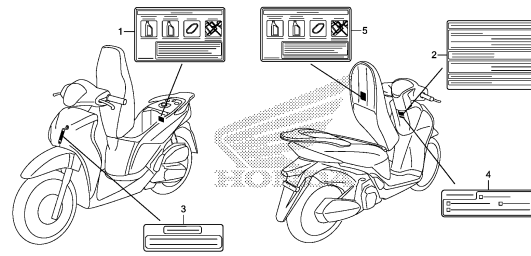
H11



F-47

CAUTION LABEL

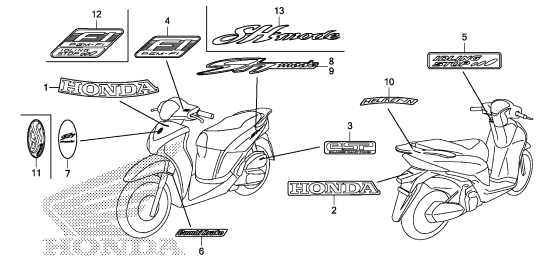
H12



F-48

MARK/EMBLEM

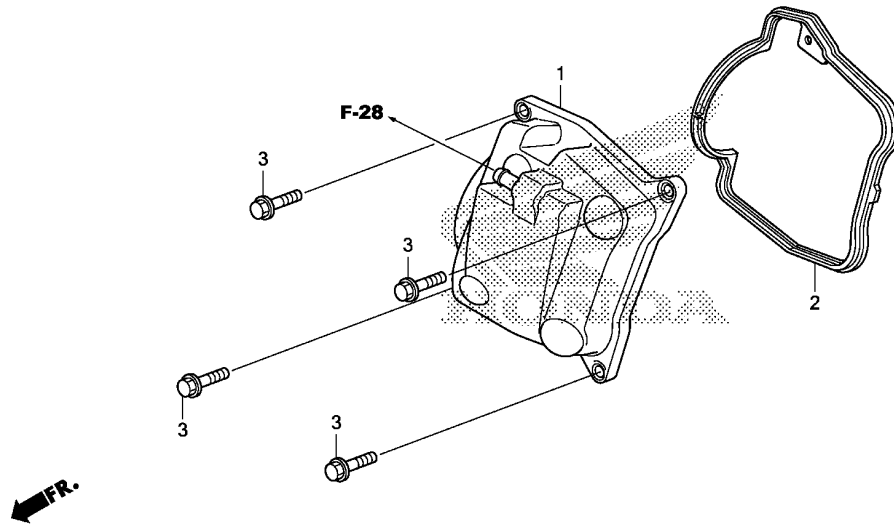
H13



E-2

CYLINDER HEAD COVER

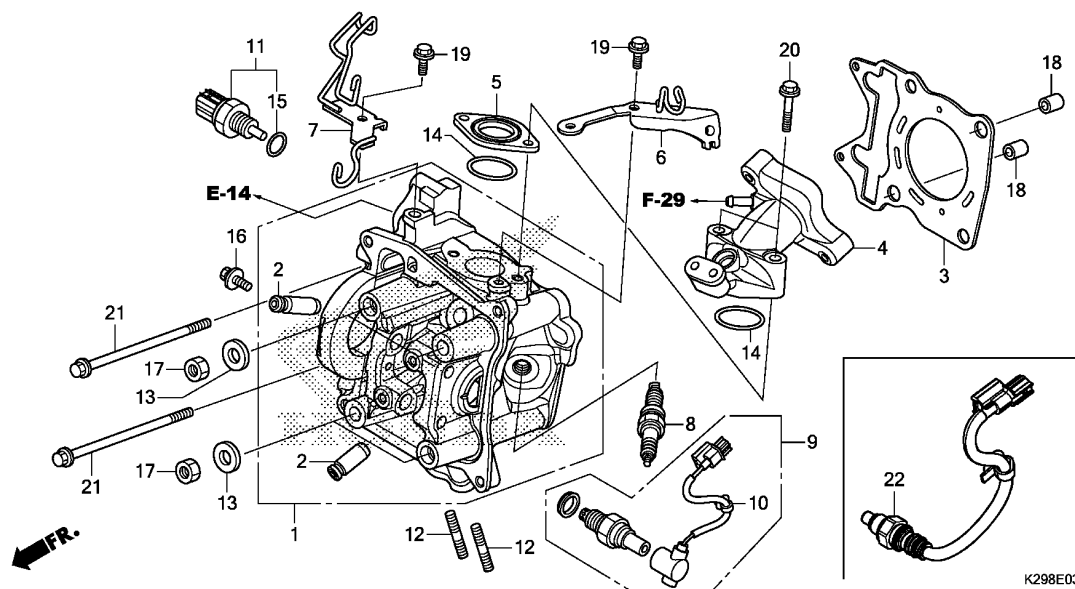
D 1



| Ref. No. | L.O.N. | (Relative ref. Number) Description | F.R.T. |
|----------|--------|------------------------------------|--------|
| 1        | 1111C4 | COVER, CYLINDER HEAD .....         | 0.3    |
| 2        | 1111D2 | GASKET, CYLINDER HEAD COVER ..     | 0.3    |

| Ref. No. | Part No.       | Description                    | Reqd. QTY |     | Serial No. | Parts catalogue code |
|----------|----------------|--------------------------------|-----------|-----|------------|----------------------|
|          |                |                                | ANC125    | E F |            |                      |
| 1        | 12310-KZR-700  | COVER COMP., CYLINDER HEAD ..  | 1         | 1   |            |                      |
| 2        | 12391-KZR-600  | GASKET, CYLINDER HEAD COVER .. | 1         | 1   |            |                      |
| 3        | 95701-06022-00 | BOLT, FLANGE, 6X22 .....       | 4         | 4   |            |                      |

2



| Ref. No. | L.O.N. | (Relative ref. Number) Description   | F.R.T. |
|----------|--------|--|--------|
| 1        | 111106 | HEAD, CYLINDER .....<br>.INCLUDES: Engine removal and installation<br>.INCLUDES: Valve adjust and reface                                 | 3.8    |
| 2        | 1111L9 | GUIDE, INTAKE VALVE(ONE) .....<br>.INCLUDES: Engine removal and installation<br>.INCLUDES: Reaming<br>.INCLUDES: Valve adjust and reface | 3.8    |
|          | 1111M0 | GUIDE, EXHAUST VALVE(ONE) ....<br>.INCLUDES: Engine removal and installation<br>.INCLUDES: Reaming<br>.INCLUDES: Valve adjust and reface | 3.8    |
|          | 1111M9 | GUIDE, VALVE :FOR 1 VEHICLE ..<br>.INCLUDES: Engine removal and installation<br>.INCLUDES: Reaming<br>.INCLUDES: Valve adjust and reface | 4.1    |
| + 3      | 111115 | GASKET, CYLINDER HEAD .....  | 3.0    |

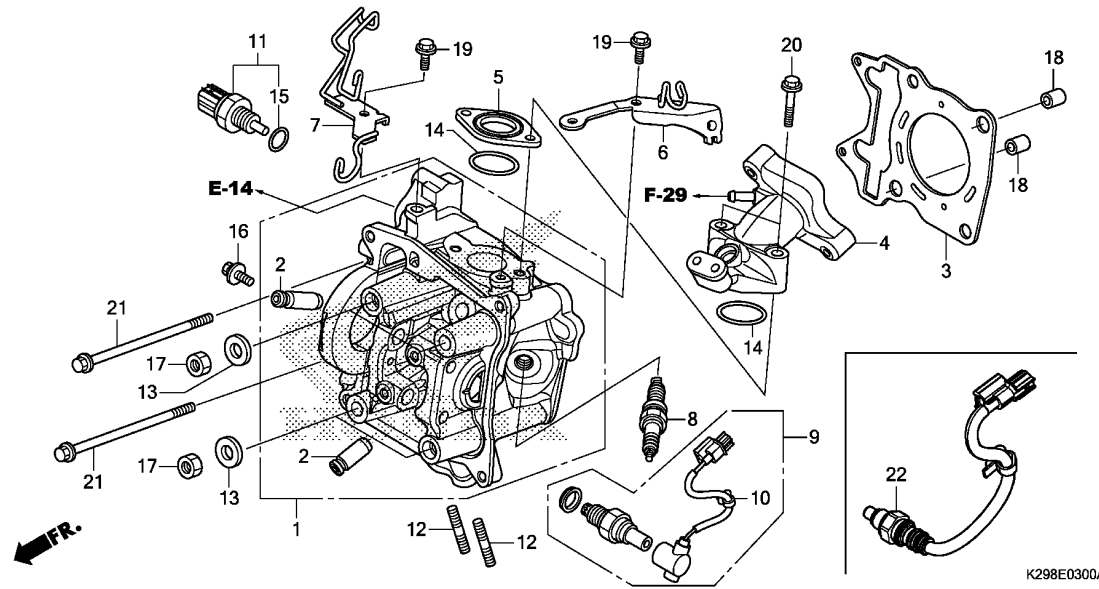
| Ref. No. | Part No.       | Description                    | Reqd. QTY |   | Serial No. | Parts catalogue code |
|----------|----------------|--------------------------------|-----------|---|------------|----------------------|
|          |                |                                | ANC125    | F |            |                      |
| 1        | 12010-KZR-601  | HEAD ASSY., CYLINDER .....     | 1         | - |            |                      |
|          | 12010-K29-910  | .....                          | -         | 1 |            |                      |
| 2        | 12204-KWN-P00  | GUIDE, VALVE(O.S.) .....       | 2         | 2 |            |                      |
| 3        | 12252-KWN-900  | GASKET, CYLINDER HEAD(O.S.) .. | 1         | 1 |            |                      |
| 4        | 17110-K29-900  | PIPE COMP., INLET .....        | 1         | 1 |            |                      |
| 5        | 17119-KWN-710  | INSULATOR, IN. PIPE .....      | 1         | 1 |            |                      |
| 6        | 17120-K29-900  | STAY COMP., FUEL HOSE CLAMPER  | 1         | 1 |            |                      |
| 7        | 17219-K29-900  | CLAMPER COMP., BREATHER TUBE   | 1         | 1 |            |                      |
| 8        | 31917-KPH-901  | PLUG, SPARK(CPR7EA-9)(NGK) ..  | 1         | 1 |            |                      |
|          | 31927-KPH-901  | PLUG, SPARK(U22EPR9)(DENSO) .. | 1         | 1 |            |                      |
| 9        | 36532-KZR-601  | SENSOR, OXYGEN .....           | 1         | - |            |                      |
| 10       | 36533-KZR-601  | CORD COMP., OXYGEN SENSOR ...  | 1         | - |            |                      |
| 11       | 37870-KZR-601  | SENSOR ASSY., WATER TEMP ....  | 1         | 1 |            |                      |
| 12       | 90004-KGF-910  | BOLT, STUD, 7X17 .....         | 2         | 2 |            |                      |
| 13       | 90483-KWN-900  | WASHER, 8MM .....              | 4         | 4 |            |                      |
| 14       | 91301-KRJ-901  | O-RING, 29X2 .....             | 2         | 2 |            |                      |
| 15       | 91307-PLC-004  | O-RING, 9.5X1.9(PANASONIC) ..  | 1         | 1 |            |                      |
| 16       | 93404-06012-00 | BOLT-WASHER, 6X12 .....        | 1         | 1 |            |                      |
| 17       | 94030-08280    | NUT, HEX., 8MM .....           | 4         | 4 |            |                      |
| 18       | 94301-10160    | DOWEL PIN, 10X16 .....         | 2         | 2 |            |                      |
| 19       | 95701-06014-00 | BOLT, FLANGE, 6X14 .....       | 2         | 2 |            |                      |
| 20       | 95701-06040-00 | BOLT, FLANGE, 6X40 .....       | 2         | 2 |            |                      |
| 21       | 95701-06095-00 | BOLT, FLANGE, 6X95 .....       | 2         | 2 |            |                      |
| 22       | 36532-K35-V01  | SENSOR, OXYGEN .....           | -         | 1 |            |                      |



# E-3

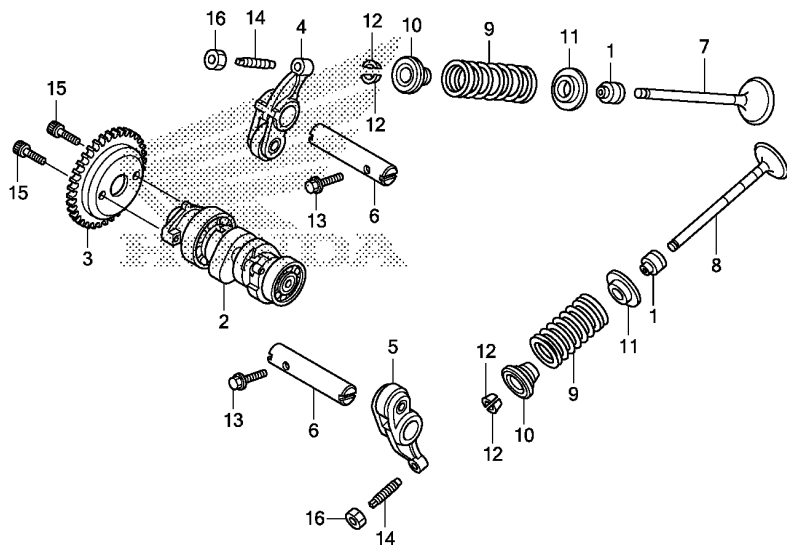
# CYLINDER HEAD

**D 3**



| Ref. No. | L.O.N. | (Relative ref. Number) Description         | F.R.T. |
|----------|--------|--|--------|
| + 3      |        | .INCLUDES: Engine removal and installation |        |
| 4        |        | (5,14)                                     |        |
| 4        | 111107 | MANIFOLD, INTAKE .....                     | 0.5    |
| 8        | 614130 | PLUG, SPARK .....                          | 0.2    |
| 9        |        | (22)                                       |        |
| 9        | 617121 | SENSOR, OXYGEN .....                       | 0.3    |
| 10       | 6111P8 | SUB CORD, OXYGEN SENSOR .....              | 0.2    |
| 11       |        | (15)                                       |        |
| 11       | 6171A9 | SENSOR, WATER TEMP .....                   | 1.0    |

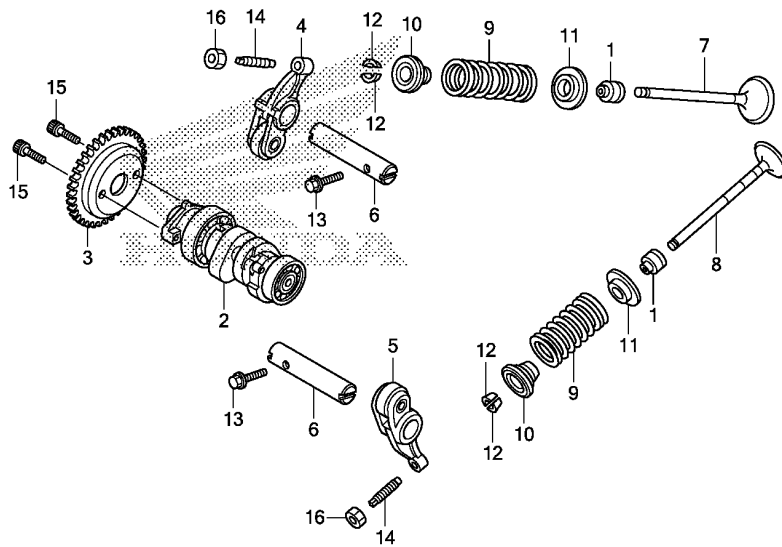
**2**



K298E0400

| Ref. No. | L.O.N. | (Relative ref. Number)<br>Description  | F.R.T. |
|----------|--------|--|--------|
| 2        | 111118 | CAMSHAFT .....<br>.INCLUDES: Engine removal and installation<br>.INCLUDES: Valve adjustment                            | 2.7    |
| 3        | 1111Q4 | SPROCKET, CAM .....<br>.INCLUDES: Engine removal and installation  | 2.7    |
| 4        | 1111K8 | ARM, INTAKE VALVE ROCKER(ONE)<br>.INCLUDES: Engine removal and installation<br>.INCLUDES: Valve adjustment (6)         | 2.6    |
| 5        | 1111K9 | ARM, EXHAUST VALVE ROCKER(ONE)<br>.INCLUDES: Engine removal and installation<br>.INCLUDES: Valve adjustment (6)        | 2.6    |
|          | 1111L8 | ARM, VALVE ROCKER<br>:FOR 1 VEHICLE .....<br>.INCLUDES: Engine removal and installation<br>.INCLUDES: Valve adjustment | 2.6    |
| 7        | 1111N0 | VALVE, INTAKE(ONE) .....<br>.INCLUDES: Engine removal and installation   | 3.4    |
| +        |        |  |        |

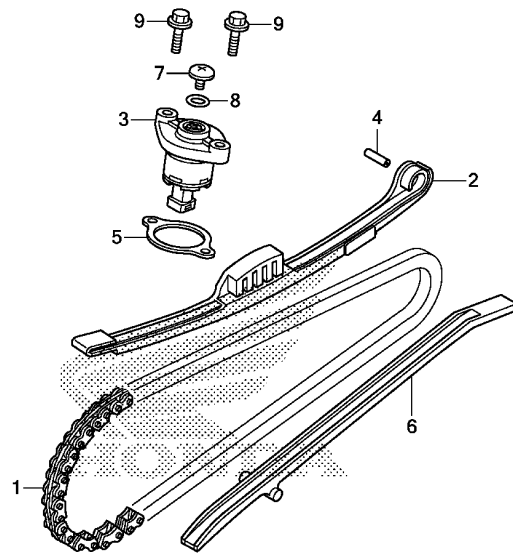
| Ref. No. | Part No.      | Description                       | Reqd. QTY |     | Serial No. | Parts catalogue code |
|----------|---------------|-----------------------------------|-----------|-----|------------|----------------------|
|          |               |                                   | ANC125    | E F |            |                      |
| 1        | 12209-GB4-681 | SEAL, VALVE STEM(NOK) .....       | 2         | 2   |            |                      |
|          | 12209-GB4-682 | SEAL, VALVE STEM(ARAI) .....      | 2         | -   |            |                      |
| 2        | 14100-K29-900 | CAMSHAFT COMP. ....               | 1         | -   |            |                      |
|          | 14100-K35-J00 | .....                             | -         | 1   |            |                      |
| 3        | 14321-KWN-900 | SPROCKET, CAM(34T) .....          | 1         | 1   |            |                      |
| 4        | 14430-KZR-600 | ARM COMP., IN. VALVE ROCKER ..... | 1         | 1   |            |                      |
| 5        | 14440-KZR-600 | ARM COMP., EX. VALVE ROCKER ..... | 1         | 1   |            |                      |
| 6        | 14451-KZR-600 | SHAFT, ROCKER ARM .....           | 2         | 2   |            |                      |
| 7        | 14711-KWN-900 | VALVE, IN. ....                   | 1         | 1   |            |                      |
| 8        | 14721-KWN-900 | VALVE, EX. ....                   | 1         | 1   |            |                      |
| 9        | 14751-KWN-900 | SPRING, VALVE .....               | 2         | 2   |            |                      |
| 10       | 14771-KWN-900 | RETAINER, VALVE SPRING .....      | 2         | 2   |            |                      |
| 11       | 14775-KZR-600 | SEAT, VALVE SPRING .....          | 2         | 2   |            |                      |
| 12       | 14781-MA6-000 | COTTER, VALVE .....               | 4         | 4   |            |                      |
| 13       | 90002-KWB-600 | BOLT, FLANGE, 5X12 .....          | 2         | 2   |            |                      |
| 14       | 90012-KWB-600 | SCREW, TAPPET ADJUSTING .....     | 2         | 2   |            |                      |
| 15       | 90083-KVB-900 | BOLT, SOCKET KNOCK, 5MM .....     | 2         | 2   |            |                      |
| 16       | 90206-001-000 | NUT, TAPPET ADJUSTING .....       | 2         | 2   |            |                      |



K298E0400

| Ref. No. | L.O.N. | (Relative ref. Number) Description           | F.R.T. |
|----------|--------|--|--------|
| + 7      |        | .INCLUDES: Refacing VALVE, EXHAUST(ONE)      | 3.4    |
| 8        | 1111N1 | .INCLUDES: Engine removal and installation   |        |
|          | 1111P0 | .INCLUDES: Refacing VALVE :FOR 1 VEHICLE     | 3.6    |
|          |        | .INCLUDES: Engine removal and installation   |        |
| 9        |        | .INCLUDES: Refacing (1,10,11,12)             |        |
|          | 1111P2 | INTAKE VALVE SPRING AND/OR STEM SEAL(ONE)    | 3.2    |
|          |        | .INCLUDES: Engine removal and installation   |        |
|          | 1111P3 | EXHAUST VALVE SPRING AND/OR STEM SEAL(ONE)   | 3.2    |
|          |        | .INCLUDES: Engine removal and installation   |        |
|          | 1111Q2 | VALVE SPRING AND/OR STEM SEAL :FOR 1 VEHICLE | 3.3    |
|          |        | .INCLUDES: Engine removal and installation   |        |

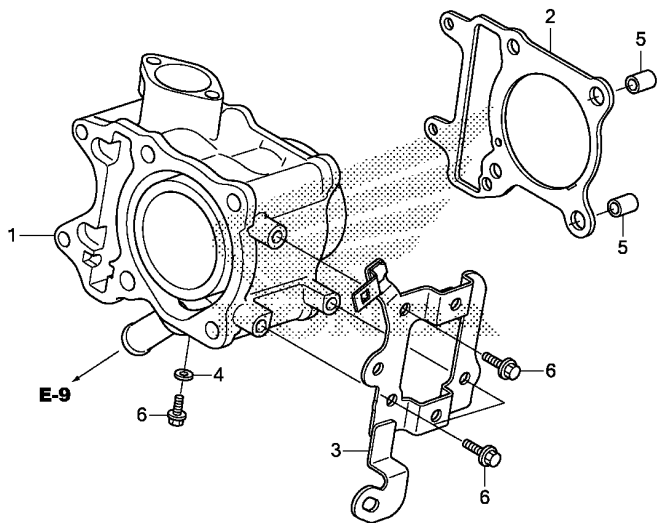




K298E0500

| Ref. No. | L.O.N. | (Relative ref. Number) Description                                       | F.R.T. |
|----------|--------|--|--------|
| 1        | 110140 | CHAIN, CAM .....<br>.INCLUDES: Engine removal and installation           | 3.5    |
| 2        | 111130 | TENSIONER, CAM CHAIN .....<br>.INCLUDES: Engine removal and installation | 3.5    |
| 3        | 111133 | LIFTER, TENSIONER .....<br>(5)   | 0.4    |
| 6        | 111139 | GUIDE, CAM CHAIN .....<br>.INCLUDES: Engine removal and installation     | 3.0    |

| Ref. No. | Part No.       | Description                    | Reqd. QTY   |   | Serial No. | Parts catalogue code |
|----------|----------------|--------------------------------|-------------|---|------------|----------------------|
|          |                |                                | ANC125<br>E | F |            |                      |
| 1        | 14401-KSS-931  | CHAIN, CAM(92L)(DAIDO) .....   | 1           | 1 |            |                      |
| 2        | 14510-KZR-600  | TENSIONER ASSY., CAM CHAIN ..  | 1           | 1 |            |                      |
| 3        | 14520-KZR-602  | LIFTER ASSY., TENSIONER .....  | 1           | 1 |            |                      |
| 4        | 14531-KZR-600  | PIVOT, CAM CHAIN TENSIONER ..  | 1           | 1 |            |                      |
| 5        | 14560-KZR-600  | GASKET, TENSIONER LIFTER ..... | 1           | 1 |            |                      |
| 6        | 14611-K01-900  | GUIDE, CAM CHAIN .....         | 1           | 1 |            |                      |
| 7        | 90005-KY7-000  | SCREW, PAN, 6X6 .....          | 1           | 1 |            |                      |
| 8        | 91306-MG3-000  | O-RING, 1.5X9.5 .....          | 1           | 1 |            |                      |
| 9        | 95701-06022-00 | BOLT, FLANGE, 6X22 .....       | 2           | 2 |            |                      |

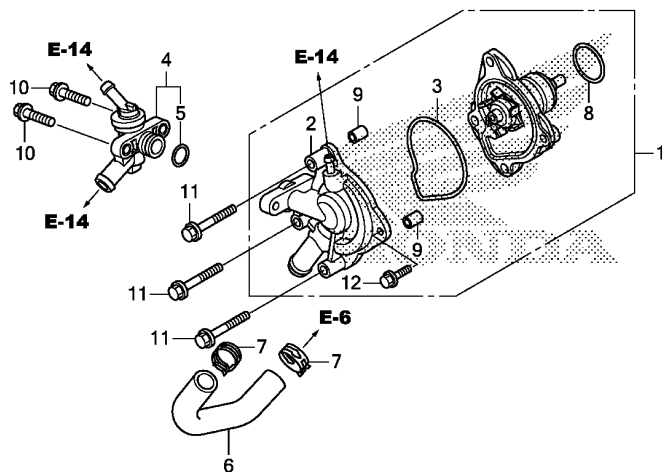


K298E0600

| Ref. No. | L.O.N. | (Relative ref. Number) Description                                   | F.R.T. |
|----------|--------|--|--------|
| 1        | 1111A5 | CYLINDER .....<br>.INCLUDES: Engine removal and installation         | 3.4    |
| 2        | 111102 | GASKET, CYLINDER .....<br>.INCLUDES: Engine removal and installation | 3.3    |
| 3        | 6141C2 | STAY, IGNITION COIL .....  | 0.3    |

| Ref. No. | Part No.       | Description                   | Reqd. QTY |   | Serial No. | Parts catalogue code |
|----------|----------------|-------------------------------|-----------|---|------------|----------------------|
|          |                |                               | ANC125    | F |            |                      |
| 1        | 12100-KZR-600  | CYLINDER COMP. ....           | 1         | 1 |            |                      |
| 2        | 12191-KZR-600  | GASKET, CYLINDER .....        | 1         | 1 |            |                      |
| 3        | 30515-K01-900  | STAY COMP., IGNITION COIL ... | 1         | 1 |            |                      |
| 4        | 90463-ML7-000  | WASHER, SEALING, 6.5MM .....  | 1         | 1 |            |                      |
| 5        | 94301-10160    | DOWEL PIN, 10X16 .....        | 2         | 2 |            |                      |
| 6        | 95701-06014-00 | BOLT, FLANGE, 6X14 .....      | 4         | 4 |            |                      |

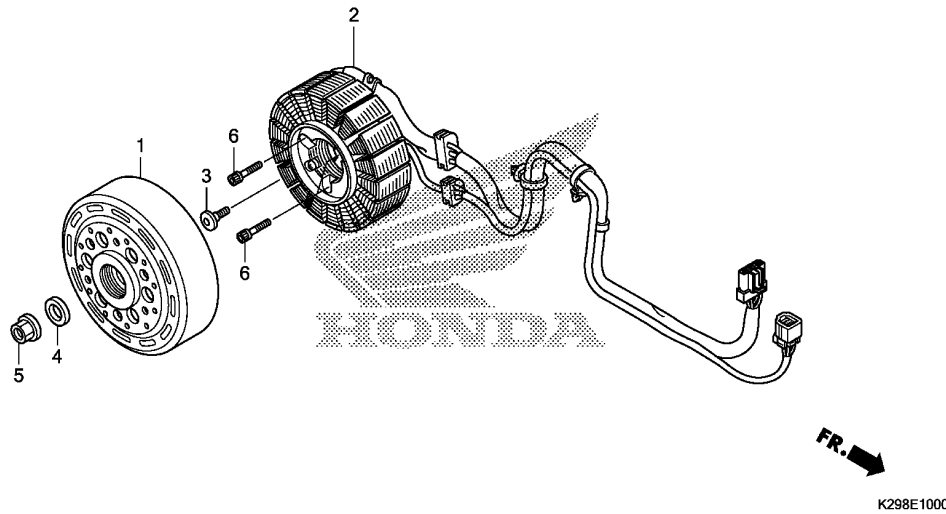




K298E0900

| Ref. No. | L.O.N. | (Relative ref. Number) Description | F.R.T. |
|----------|--------|------------------------------------|--------|
| 1        | 114103 | PUMP ASSY., WATER .....            | 1.3    |
| 2        | 1141B0 | COVER, WATER PUMP .....            | 1.3    |
| 3        | 1141B1 | GASKET, WATER PUMP COVER .....     | 1.3    |
| 4        | 114116 | THERMOSTAT .....                   | 1.4    |
| 6        | 114132 | HOSE C, WATER .....                | 1.0    |

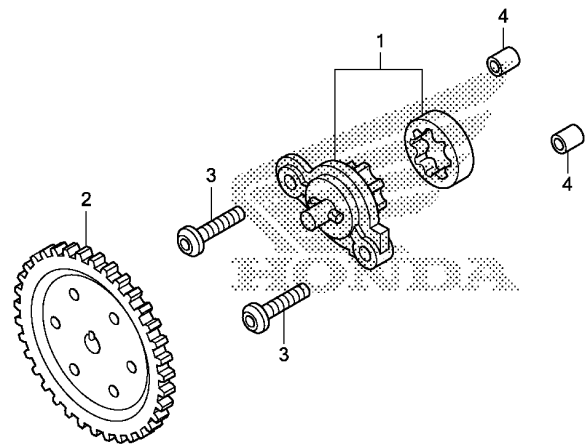
| Ref. No. | Part No.       | Description                    | Reqd. QTY |     | Serial No. | Parts catalogue code |
|----------|----------------|--------------------------------|-----------|-----|------------|----------------------|
|          |                |                                | ANC125    | E F |            |                      |
| 1        | 19200-KWN-901  | PUMP ASSY., WATER .....        | 1         | 1   |            |                      |
| 2        | 19220-KWN-901  | COVER COMP., WATER PUMP .....  | 1         | 1   |            |                      |
| 3        | 19226-KWN-900  | GASKET, WATER PUMP COVER ..... | 1         | 1   |            |                      |
| 4        | 19300-KZR-601  | THERMOSTAT ASSY. ....          | 1         | -   |            |                      |
|          | 19300-K29-911  | .....                          | -         | 1   |            |                      |
| 5        | 19381-KWN-900  | O-RING .....                   | 1         | 1   |            |                      |
| 6        | 19503-KWN-900  | HOSE C, WATER .....            | 1         | 1   |            |                      |
| 7        | 90701-KWN-901  | CLAMP, WATER HOSE, 24MM .....  | 2         | 2   |            |                      |
| 8        | 91302-KWN-900  | O-RING, 34X2 .....             | 1         | 1   |            |                      |
| 9        | 94301-08100    | DOWEL PIN, 8X10 .....          | 2         | 2   |            |                      |
| 10       | 95701-06022-00 | BOLT, FLANGE, 6X22 .....       | 2         | 2   |            |                      |
| 11       | 95701-06040-00 | BOLT, FLANGE, 6X40 .....       | 3         | 3   |            |                      |
| 12       | 96001-06016-00 | BOLT, FLANGE, 6X16 .....       | 1         | 1   |            |                      |



| Ref. No. | L.O.N. | (Relative ref. Number) Description | F.R.T. |
|----------|--------|------------------------------------|--------|
| 1        | 613105 | ROTOR OR FLYWHEEL .....            | 1.1    |
| 2        | 6131A3 | STATOR .....                       | 1.5    |

| Ref. No. | Part No.       | Description              | Reqd. QTY   |   | Serial No. | Parts catalogue code |
|----------|----------------|--------------------------|-------------|---|------------|----------------------|
|          |                |                          | ANC125<br>E | F |            |                      |
| 1        | 31210-KZR-601  | FLYWHEEL COMP. ....      | 1           | 1 |            |                      |
| 2        | 31220-K29-901  | STATOR COMP. ....        | 1           | - |            |                      |
|          | 31220-K29-911  | .....                    | -           | 1 |            |                      |
| 3        | 90001-KWR-000  | BOLT, SOCKET, 6X18 ..... | 1           | 1 |            |                      |
| 4        | 90439-KWZ-900  | WASHER, 12X24X2.3 .....  | 1           | 1 |            |                      |
| 5        | 94050-12000    | NUT, FLANGE, 12MM .....  | 1           | 1 |            |                      |
| 6        | 96700-06025-00 | BOLT, SOCKET, 6X25 ..... | 3           | 3 |            |                      |





K298E1100

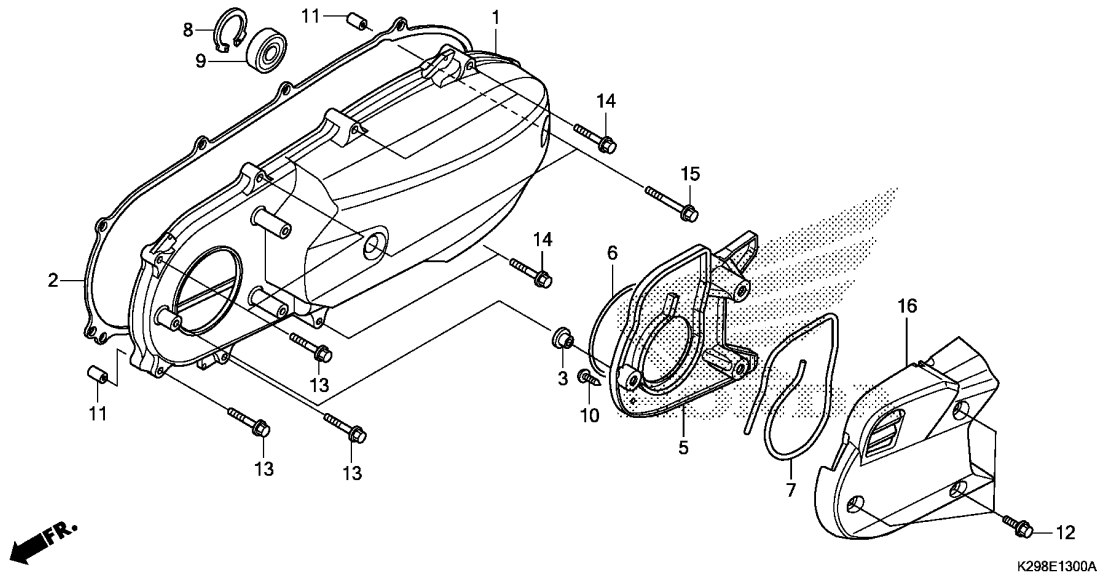
| Ref. No. | L.O.N. | (Relative ref. Number) Description | F.R.T. |
|----------|--------|------------------------------------|--------|
| 1        | 113105 | PUMP ASSY., OIL .....              | 1.5    |
| 2        | 1131C4 | GEAR, OIL PUMP DRIVEN .....        | 1.4    |

| Ref. No. | Part No.      | Description                   | Reqd. QTY   |   | Serial No. | Parts catalogue code |
|----------|---------------|-------------------------------|-------------|---|------------|----------------------|
|          |               |                               | ANC125<br>E | F |            |                      |
| 1        | 15010-KWN-900 | PUMP SET, OIL .....           | 1           | 1 |            |                      |
| 2        | 15133-KWN-900 | GEAR, OIL PUMP DRIVEN(35T) .. | 1           | 1 |            |                      |
| 3        | 90003-KWN-900 | BOLT, SPECIAL, 6X23.5 .....   | 2           | 2 |            |                      |
| 4        | 94301-08100   | DOWEL PIN, 8X10 .....         | 2           | 2 |            |                      |



E-13

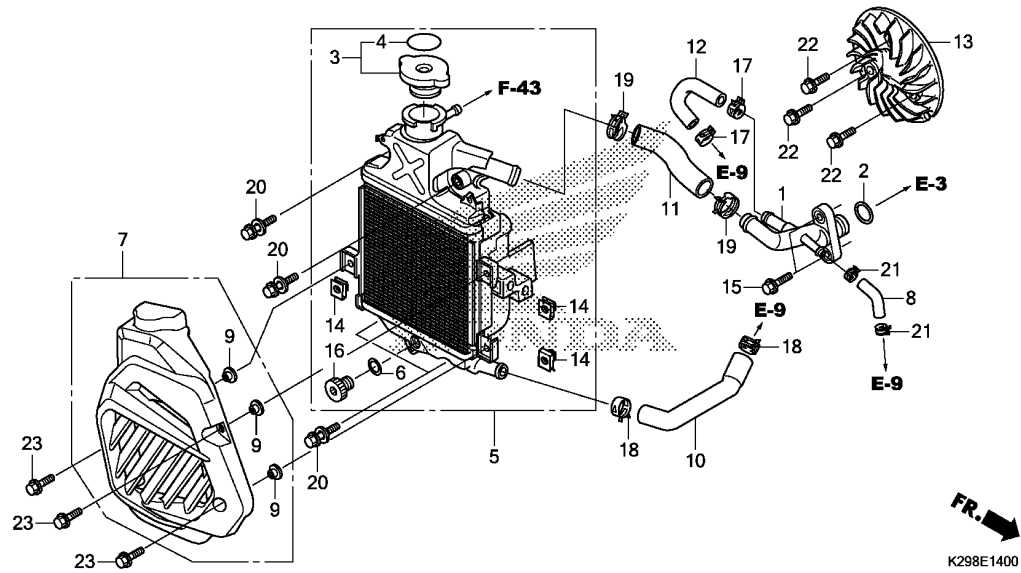
LEFT SIDE COVER



| Ref. No. | L.O.N.  | (Relative ref. Number) Description         | F.R.T. |
|----------|---------|--|--------|
| 1        | 1101A6  | COVER, CRANKCASE :LEFT .....               | 0.4    |
| 2        | 1101A3  | GASKET, CRANKCASE COVER :LEFT              | 0.2    |
| 9        | 2101H8  | BEARING, DRIVESHAFT :LEFT COVER SIDE ..... | 0.4    |
| 16       | (5,6,7) |  |        |
|          | 1101H4  | DUCT, BELT COVER .....                     | 0.1    |

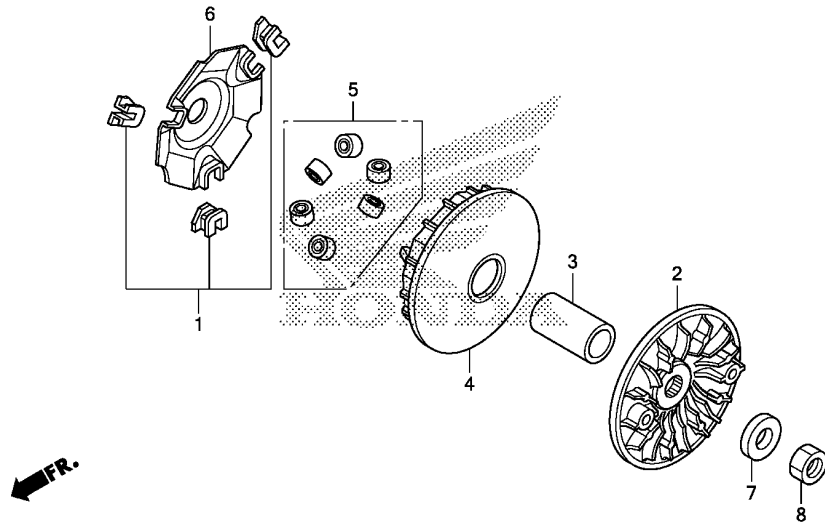
| Ref. No. | Part No.       | Description                     | Reqd. QTY |   | Serial No. | Parts catalogue code |
|----------|----------------|---------------------------------|-----------|---|------------|----------------------|
|          |                |                                 | ANC125    | F |            |                      |
| 1        | 11341-KWN-780  | COVER, L. SIDE .....            | 1         | 1 |            |                      |
| 2        | 11395-KZR-600  | GASKET, L. COVER .....          | 1         | 1 |            |                      |
| 3        | 19416-KEY-900  | COLLAR .....                    | 3         | 3 |            |                      |
| 5        | 19641-K01-900  | DUCT, L. COVER .....            | 1         | 1 |            |                      |
| 6        | 19645-KWN-900  | SEAL, BELT COVER DUCT .....     | 1         | 1 |            |                      |
| 7        | 19649-K01-900  | SEAL, L. COVER .....            | 1         | 1 |            |                      |
| 8        | 90652-KVB-900  | CIRCLIP, INTERNAL, 32MM .....   | 1         | 1 |            |                      |
| 9        | 91005-KVB-900  | BEARING COMP. (6002UU) (NTN) .. | 1         | 1 |            |                      |
| 10       | 93903-24480    | SCREW, TAPPING, 4X16 .....      | 1         | 1 |            |                      |
| 11       | 94301-08140    | DOWEL PIN, 8X14 .....           | 2         | 2 |            |                      |
| 12       | 96001-06018-07 | BOLT, FLANGE, 6X18 .....        | 3         | 3 |            |                      |
| 13       | 96001-06028-00 | BOLT, FLANGE, 6X28 .....        | 4         | 4 |            |                      |
| 14       | 96001-06040-00 | BOLT, FLANGE, 6X40 .....        | 4         | 4 |            |                      |
| 15       | 96001-06065-00 | BOLT, FLANGE, 6X65 .....        | 2         | 2 |            |                      |
| 16       | 19642-K01-900  | CAP, L. COVER .....             | 1         | 1 |            |                      |





| Ref. No. | L.O.N. | (Relative ref. Number) Description | F.R.T. |
|----------|--------|------------------------------------|--------|
| 1        | 1151L2 | JOINT, 3WAY HOSE .....             | 1.0    |
| 3        | 1151B8 | CAP, RADIATOR .....                | 0.2    |
| 5        | 1151C3 | RADIATOR .....                     | 0.5    |
| 7        | 115115 | COVER, RADIATOR .....              | 0.2    |
| 8        | 1141H9 | TUBE, AIR BREATHER .....           | 1.0    |
| 10       | 114130 | HOSE A, WATER .....                | 0.6    |
| 11       | 114131 | HOSE B, WATER .....                | 1.0    |
| 12       | 1141B4 | HOSE, WATER BYPASS .....           | 1.0    |
| 13       | 1151A6 | FAN, COOLING .....                 | 0.5    |

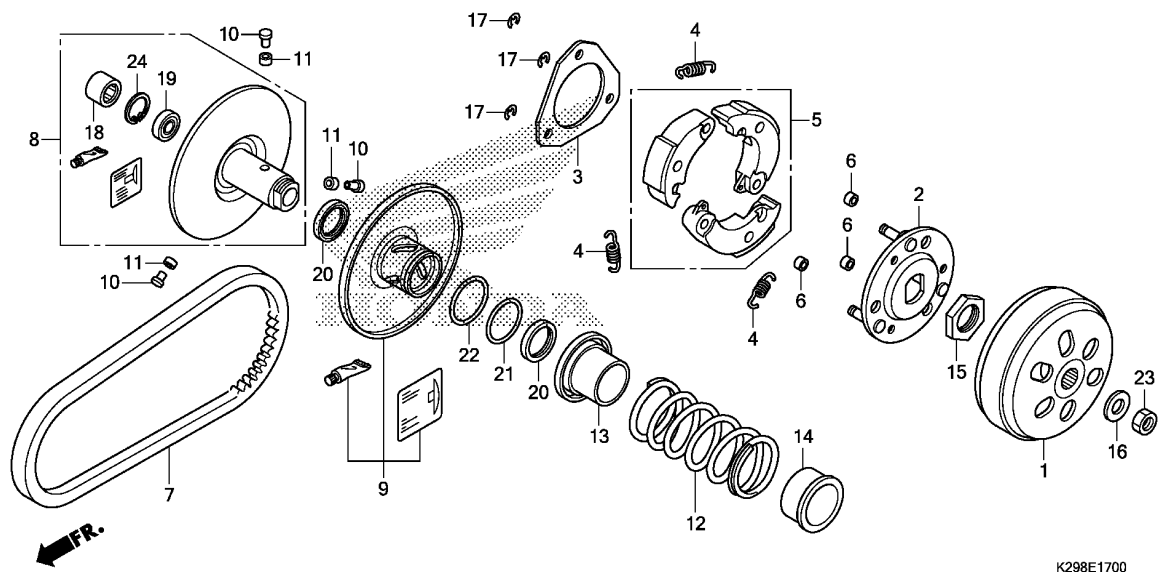
| Ref. No. | Part No.       | Description                   | Reqd. QTY |   | Serial No. | Parts catalogue code |
|----------|----------------|-------------------------------|-----------|---|------------|----------------------|
|          |                |                               | ANC125    | F |            |                      |
| 1        | 12206-KZR-600  | JOINT COMP., WATER HOSE ..... | 1         | 1 |            |                      |
| 2        | 12207-KWN-900  | O-RING, 15.4X2 .....          | 1         | 1 |            |                      |
| 3        | 19037-KVB-902  | CAP COMP., RADIATOR(T.RAD) .. | 1         | 1 |            |                      |
| 4        | 19046-KVB-902  | LABEL, RADIATOR CAP(T.RAD) .. | 1         | 1 |            |                      |
| 5        | 19100-K12-900  | RADIATOR ASSY. ....           | 1         | 1 |            |                      |
| 6        | 19109-GET-003  | SEAL, DRAIN .....             | 1         | 1 |            |                      |
| 7        | 19150-K27-V00  | COVER COMP., RADIATOR .....   | 1         | 1 |            |                      |
| 8        | 19332-KWN-900  | TUBE, AIR BREATHER .....      | 1         | 1 |            |                      |
| 9        | 19416-KEY-900  | COLLAR .....                  | 3         | 3 |            |                      |
| 10       | 19501-KZR-600  | HOSE A, WATER .....           | 1         | 1 |            |                      |
| 11       | 19502-KZR-600  | HOSE B, WATER .....           | 1         | 1 |            |                      |
| 12       | 19504-KZR-600  | HOSE, BYPASS .....            | 1         | 1 |            |                      |
| 13       | 19510-KZR-700  | FAN COMP., COOLING .....      | 1         | 1 |            |                      |
| 14       | 84601-HA7-670  | NUT, FENDER SETTING .....     | 3         | 3 |            |                      |
| 15       | 90004-GHB-660  | BOLT, FLANGE, 6X22(NSHF) .... | 2         | 2 |            |                      |
| 16       | 90103-GET-003  | BOLT, DRAIN .....             | 1         | 1 |            |                      |
| 17       | 90601-K27-V01  | CLAMP, HOSE (D15.5) .....     | 2         | 2 |            |                      |
| 18       | 90602-K27-V01  | CLAMP, HOSE (D20) .....       | 2         | 2 |            |                      |
| 19       | 90701-KWN-901  | CLAMP, WATER HOSE, 24MM ..... | 2         | 2 |            |                      |
| 20       | 93401-06025-08 | BOLT-WASHER, 6X25 .....       | 4         | 4 |            |                      |
| 21       | 95002-41050-08 | CLAMP, TUBE (D10.5) .....     | 2         | 2 |            |                      |
| 22       | 95701-06016-00 | BOLT, FLANGE, 6X16 .....      | 3         | 3 |            |                      |
| 23       | 96001-06016-07 | BOLT, FLANGE, 6X16 .....      | 3         | 3 |            |                      |



| Ref. No. | L.O.N. | (Relative ref. Number) Description | F.R.T. |
|----------|--------|------------------------------------|--------|
| 2        | 2111A0 | FACE, DRIVE .....                  | 0.4    |
| 4        | 2111A1 | FACE, MOVABLE DRIVE .....          | 0.4    |
| 5        |        | (1,6)                              |        |
|          | 2111A4 | ROLLER, WEIGHT .....               | 0.4    |

| Ref. No. | Part No.      | Description                   | Reqd. QTY |   | Serial No. | Parts catalogue code |
|----------|---------------|-------------------------------|-----------|---|------------|----------------------|
|          |               |                               | ANC125    | F |            |                      |
| 1        | 22011-KWN-900 | PIECE SET, SLIDE .....        | 1         | 1 |            |                      |
| 2        | 22102-KZR-600 | FACE, DRIVE .....             | 1         | 1 |            |                      |
| 3        | 22105-KWN-900 | BOSS, DRIVE FACE .....        | 1         | 1 |            |                      |
| 4        | 22110-KZR-601 | FACE COMP., MOVABLE DRIVE ... | 1         | 1 |            |                      |
| 5        | 22123-KWN-710 | ROLLER SET, WEIGHT .....      | 1         | 1 |            |                      |
| 6        | 22131-KWN-900 | PLATE, RAMP .....             | 1         | 1 |            |                      |
| 7        | 90401-KWN-900 | WASHER, 15X29X7 .....         | 1         | 1 |            |                      |
| 8        | 94030-14200   | NUT, HEX., 14MM .....         | 1         | 1 |            |                      |

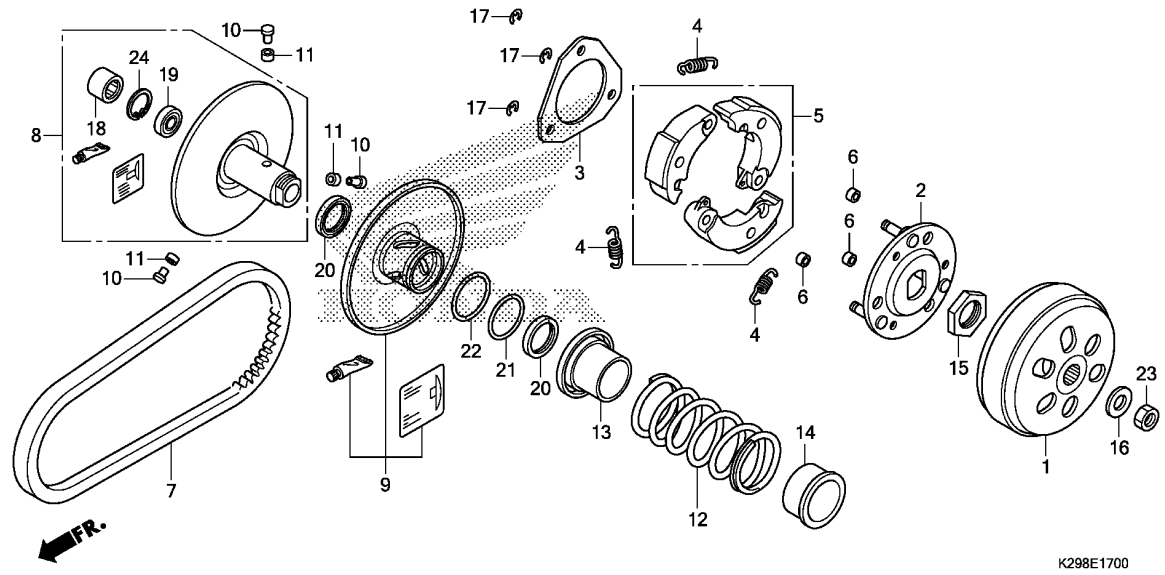




| Ref. No. | L.O.N.  | (Relative ref. Number) Description | F.R.T. |
|----------|---------|------------------------------------|--------|
| 1        | 2121A0  | OUTER, CLUTCH                      | 0.3    |
| 5        |         | (2,4)                              |        |
| 5        | 2121A6  | WEIGHT SET, CLUTCH                 | 0.8    |
| 7        | 2111B2  | BELT, DRIVE                        | 0.4    |
| 8        |         | (10,11,13)                         |        |
| 9        | 2111A2  | FACE, DRIVEN                       | 0.7    |
| 9        |         | (20,21,22)                         |        |
| 12       | 2111A3  | FACE, MOVABLE DRIVEN               | 0.8    |
| 12       |         | (14)                               |        |
| 18       | 2111A7  | SPRING, DRIVEN FACE                | 0.6    |
| 18       |         | (19)                               |        |
|          | 2111A8  | BEARING, DRIVEN FACE               | 0.9    |
|          | 2111A8A | .Replace 1 bearing add             | 0.1    |

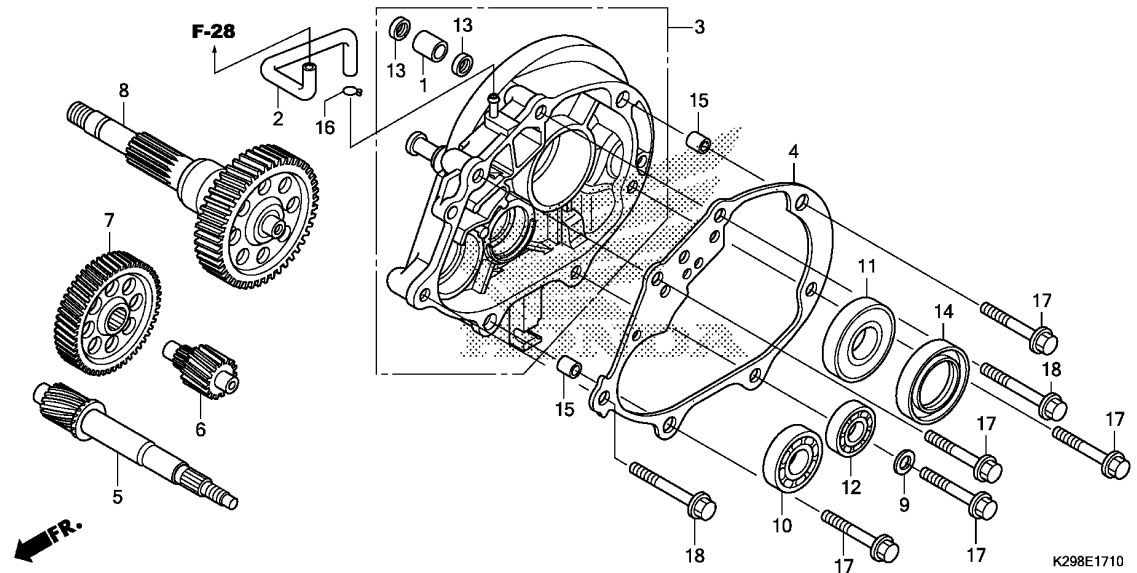
K298E1700

| Ref. No. | Part No.      | Description                            | Reqd. QTY |   | Serial No. | Parts catalogue code |
|----------|---------------|--|-----------|---|------------|----------------------|
|          |               |  | ANC125    | F |            |                      |
| 1        | 22100-K27-V01 | OUTER COMP., CLUTCH(F.C.C.)            | 1         | 1 |            |                      |
| 2        | 22350-KVB-900 | PLATE COMP., DRIVE                     | 1         | 1 |            |                      |
| 3        | 22361-KVB-900 | PLATE, CLUTCH SIDE                     | 1         | 1 |            |                      |
| 4        | 22401-KGF-912 | SPRING, CLUTCH                         | 3         | 3 |            |                      |
| 5        | 22535-KWN-900 | WEIGHT SET, CLUTCH                     | 1         | 1 |            |                      |
| 6        | 22804-148-000 | RUBBER, CLUTCH DAMPER                  | 3         | 3 |            |                      |
| 7        | 23100-KZR-601 | BELT, DRIVE(BANDO)                     | 1         | 1 |            |                      |
| 8        | 23205-K27-V00 | FACE SET, DRIVEN(F.C.C.)               | 1         | 1 |            |                      |
| 9        | 23224-K27-V00 | FACE SET, MOVABLE DRIVEN (F.C.C.)      | 1         | 1 |            |                      |
| 10       | 23225-KSY-900 | PIN, ROLLER GUIDE                      | 3         | 3 |            |                      |
| 11       | 23226-KVB-900 | ROLLER, GUIDE                          | 3         | 3 |            |                      |
| 12       | 23233-KZR-600 | SPRING, DRIVEN FACE                    | 1         | 1 |            |                      |
| 13       | 23237-KWN-900 | COLLAR, SEAL                           | 1         | 1 |            |                      |
| 14       | 23238-KZR-600 | COLLAR, SPRING                         | 1         | 1 |            |                      |
| 15       | 90202-KN7-670 | NUT, SPECIAL, 28MM                     | 1         | 1 |            |                      |
| 16       | 90441-GY6-940 | WASHER, 12.2X29X2.5                    | 1         | 1 |            |                      |
| 17       | 90605-166-720 | CIRCLIP, 7MM                           | 3         | 3 |            |                      |
| 18       | 91001-KCW-003 | BEARING, NEEDLE, 20X29X18 (NTN)        | 1         | 1 |            |                      |
|          | 91109-KVY-901 | BEARING, NEEDLE, 20X29X18 (SCHAEFFLER) | 1         | 1 |            |                      |
| 19       | 91002-GA7-701 | BEARING, RADIAL BALL, 6902U (NTN)      | 1         | 1 |            |                      |
|          | 91009-KVY-961 | BEARING, RADIAL BALL, 6902U (NSK)      | 1         | 1 |            |                      |
| 20       | 91211-KN7-671 | SEAL, DRIVEN FACE, 34X41X4             | 2         | 2 |            |                      |



| Ref. No. | Part No.      | Description                   | Reqd. QTY |   | Serial No. | Parts catalogue code |
|----------|---------------|-------------------------------|-----------|---|------------|----------------------|
|          |               |                               | ANC125    | F |            |                      |
| 21       | 91351-642-000 | O-RING, PINION CAP .....      | 1         | 1 |            |                      |
| 22       | 91351-GR1-000 | O-RING, 38.5X2 .....          | 1         | 1 |            |                      |
| 23       | 94030-12200   | NUT, HEX., 12MM .....         | 1         | 1 |            |                      |
| 24       | 94520-28000   | CIRCLIP, INTERNAL, 28MM ..... | 1         | 1 |            |                      |





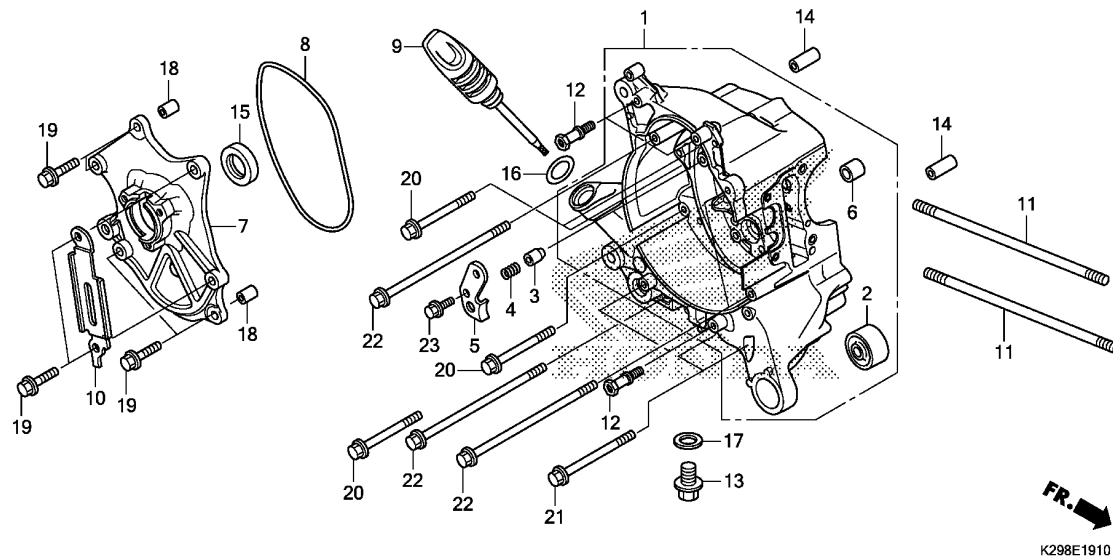
| Ref. No. | L.O.N. | (Relative ref. Number) Description     | F.R.T. |
|----------|--------|--|--------|
| 3        | 2101A2 | CASE, TRANSMISSION .....               | 1.2    |
| 4        | 2101A3 | GASKET, TRANSMISSION CASE ....         | 0.8    |
| 5        | 2101E9 | SHAFT, DRIVE .....                     | 1.1    |
| 6        | 210142 | COUNTERSHAFT, TRANSMISSION ...         | 0.8    |
| 7        | 2101A5 | GEAR, COUNTER .....                    | 0.8    |
| 8        | 210170 | SHAFT, FINAL GEAR .....                | 0.8    |
| 10       | 2101F1 | BEARING, DRIVESHAFT :RIGHT ...         | 1.0    |
|          | 2101J1 | BEARING, DRIVESHAFT :BOTH ....         | 1.2    |
| 11       |        | (14)                                   |        |
|          | 2101E6 | BEARING, FINAL GEAR SHAFT :RIGHT ..... | 1.0    |
|          | 2101J0 | BEARING, FINAL GEAR SHAFT :BOTH .....  | 1.1    |
| 12       | 2101C8 | BEARING, COUNTERSHAFT :RIGHT ..        | 1.0    |
|          | 2101C9 | BEARING, COUNTERSHAFT :BOTH ..         | 1.1    |

| Ref. No. | Part No.       | Description                            | Reqd. QTY |     | Serial No. | Parts catalogue code |
|----------|----------------|--|-----------|-----|------------|----------------------|
|          |                |  | ANC125    | E F |            |                      |
| 1        | 11204-KGF-900  | SLEEVE, RR. BRAKE CAM .....            | 1         | 1   |            |                      |
| 2        | 11211-KWN-980  | TUBE, MISSION BREATHER .....           | 1         | 1   |            |                      |
| 3        | 21200-KWN-710  | CASE COMP., TRANSMISSION ....          | 1         | 1   |            |                      |
| 4        | 21395-KZR-600  | GASKET, TRANSMISSION CASE ...          | 1         | 1   |            |                      |
| 5        | 23411-KZR-600  | SHAFT, DRIVE(17T) .....                | 1         | -   |            |                      |
|          | 23411-KZR-601  | .....                                  | -         | 1   |            |                      |
| 6        | 23421-KWN-710  | COUNTERSHAFT(13T) .....                | 1         | 1   |            |                      |
| 7        | 23422-KWN-900  | GEAR, COUNTER(53T) .....               | 1         | 1   |            |                      |
| 8        | 23430-K29-900  | GEAR COMP., FINAL(47T) .....           | 1         | 1   |            |                      |
| 9        | 90495-MN5-000  | WASHER, SEALING, 8MM .....             | 1         | 1   |            |                      |
| 10       | 91004-KZR-601  | BEARING, RADIAL BALL, 6202 (NTN)       | 1         | 1   |            |                      |
|          | 91004-KZR-602  | BEARING, RADIAL BALL, 6202 (FUJIKOSHI) | 1         | -   |            |                      |
| 11       | 91009-KWN-901  | BEARING, RADIAL BALL, 6205 UU          | 1         | 1   |            |                      |
|          | 91006-KAB-004  | BEARING, RADIAL BALL, 6205-2NSG        | 1         | -   |            |                      |
| 12       | 91006-KZR-601  | BEARING, RADIAL BALL, 6201 (NTN)       | 1         | 1   |            |                      |
|          | 91006-KZR-602  | BEARING, RADIAL BALL, 6201 (FUJIKOSHI) | 1         | -   |            |                      |
| 13       | 91201-434-003  | OIL SEAL, 14X20X3.2 .....              | 2         | 2   |            |                      |
| 14       | 91204-KWN-900  | OIL SEAL, 34X52X7 .....                | 1         | 1   |            |                      |
| 15       | 94301-10120    | DOWEL PIN, 10X12 .....                 | 2         | 2   |            |                      |
| 16       | 95002-50000    | CLIP, TUBE(C9) .....                   | 1         | 1   |            |                      |
| 17       | 95701-08045-00 | BOLT, FLANGE, 8X45 .....               | 5         | 5   |            |                      |
| 18       | 95701-08055-00 | BOLT, FLANGE, 8X55 .....               | 2         | 2   |            |                      |

# E-19-10

# RIGHT CRANKCASE

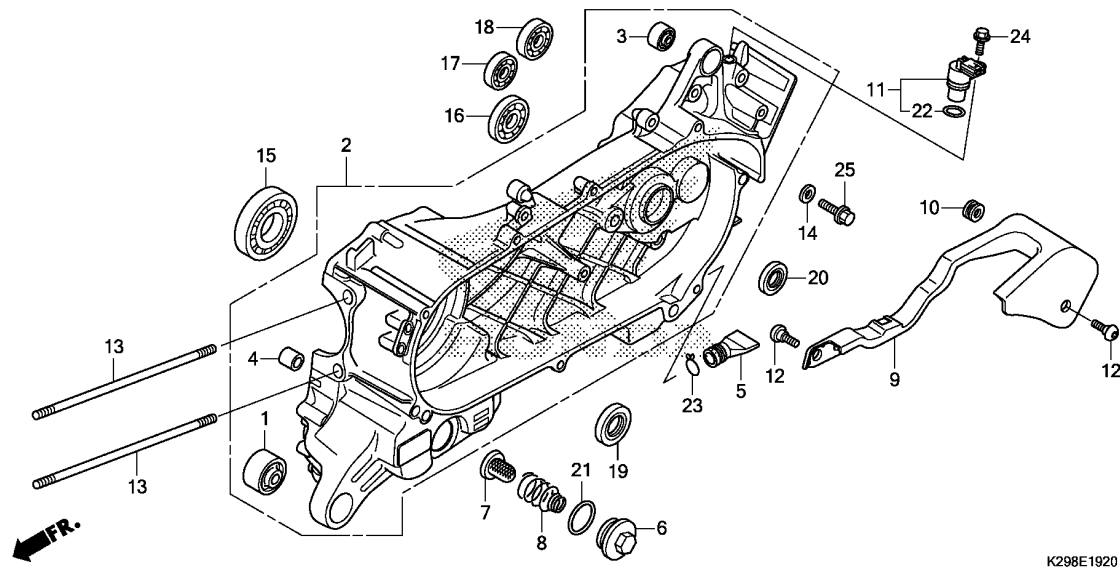
E 1



| Ref. No. | L.O.N. | (Relative ref. Number) Description   | F.R.T. |
|----------|--------|--|--------|
| 1        | 110120 | CRANKCASE :RIGHT .....<br>.INCLUDES: Engine removal and installation         | 4.3    |
|          | 1101A2 | CRANKCASE :BOTH .....<br>.INCLUDES: Engine removal and installation          | 5.4    |
| 7        | 6131A4 | BASE, STATOR .....   | 1.5    |
| 8        | 6131B5 | O-RING, STATOR BASE .....  | 1.4    |
| 15       | 110132 | OIL SEAL, CRANKSHAFT :RIGHT ..   | 1.5    |
|          | 1101H3 | OIL SEAL, CRANKSHAFT :BOTH ...<br>.INCLUDES: Engine removal and installation | 4.6    |

| Ref. No. | Part No.       | Description                              | Reqd. QTY |   | Serial No. | Parts catalogue code |
|----------|----------------|--|-----------|---|------------|----------------------|
|          |                |  | ANC125    | F |            |                      |
| 1        | 11100-KZR-601  | CRANKCASE COMP., R. ....                 | 1         | 1 |            |                      |
| 2        | 11103-KVB-930  | BUSH, ENGINE HANGER RUBBER ..            | 1         | 1 |            |                      |
|          | 11103-KVB-901  | BUSH, ENGINE HANGER RUBBER<br>(HOKUSHIN) | 1         | - |            |                      |
| 3        | 11114-KWN-900  | PLUG, BEARING PUSH .....                 | 1         | 1 |            |                      |
| 4        | 11116-KZR-600  | SPRING, BEARING PUSH .....               | 1         | 1 |            |                      |
| 5        | 11117-KWN-901  | PLATE, BEARING PUSH .....                | 1         | 1 |            |                      |
| 6        | 11205-GBC-300  | BUSH, MAINSTAND .....                    | 1         | 1 |            |                      |
| 7        | 11361-KWN-901  | BASE, STATOR .....                       | 1         | 1 |            |                      |
| 8        | 11363-KWN-900  | GASKET, STATOR BASE .....                | 1         | 1 |            |                      |
| 9        | 15651-K29-900  | GAUGE, OIL LEVEL .....                   | 1         | 1 |            |                      |
| 10       | 32961-KWN-900  | CLAMPER, A.C. GENERATOR CORD             | 1         | - |            |                      |
|          | 32961-K29-910  | .....                                    | -         | 1 |            |                      |
| 11       | 90031-KWN-900  | BOLT A, STUD, 8X200.5 .....              | 2         | 2 |            |                      |
| 12       | 90036-KZR-600  | BOLT, RADIATOR DISTANCE .....            | 4         | 4 |            |                      |
| 13       | 90131-883-000  | BOLT, DRAIN PLUG, 12X15 .....            | 1         | 1 |            |                      |
| 14       | 90702-KWN-900  | DOWEL PIN, SPECIAL, 6.3X10X30            | 2         | 2 |            |                      |
| 15       | 91201-KWN-901  | OIL SEAL, 20.8X32X6 .....                | 1         | 1 |            |                      |
| 16       | 91307-035-000  | O-RING, 18X3 .....                       | 1         | 1 |            |                      |
| 17       | 94109-12000    | WASHER, DRAIN PLUG, 12MM .....           | 1         | 1 |            |                      |
| 18       | 94301-08100    | DOWEL PIN, 8X10 .....                    | 2         | 2 |            |                      |
| 19       | 95701-06025-00 | BOLT, FLANGE, 6X25 .....                 | 6         | 6 |            |                      |
| 20       | 95701-06065-00 | BOLT, FLANGE, 6X65 .....                 | 4         | 4 |            |                      |
| 21       | 95701-06080-00 | BOLT, FLANGE, 6X80 .....                 | 2         | 2 |            |                      |
| 22       | 95701-06130-00 | BOLT, FLANGE, 6X130 .....                | 4         | 4 |            |                      |
| 23       | 96001-06016-00 | BOLT, FLANGE, 6X16 .....                 | 1         | 1 |            |                      |

2



K298E1920

| Ref. No. | L.O.N. | (Relative ref. Number) Description   | F.R.T. |
|----------|--------|--|--------|
| 2        | 110115 | CRANKCASE :LEFT .....<br>.INCLUDES: Engine removal and installation          | 5.2    |
|          | 1101A2 | CRANKCASE :BOTH .....<br>.INCLUDES: Engine removal and installation          | 5.4    |
| 7        | 1131B5 | SCREEN, OIL FILTER .....<br>(22)   | 0.2    |
| 11       | 617197 | SENSOR, WHEEL SPEED :REAR ....   | 0.5    |
| 15       | 1101B6 | BEARING, CRANKSHAFT :LEFT ....<br>.INCLUDES: Engine removal and installation | 4.5    |
| 16       | 2101F0 | BEARING, DRIVESHAFT :LEFT ....   | 1.1    |
|          | 2101J1 | BEARING, DRIVESHAFT :BOTH ....   | 1.2    |
| 17       | 2101C7 | BEARING, COUNTERSHAFT :LEFT ..   | 1.0    |
|          | 2101C9 | BEARING, COUNTERSHAFT :BOTH ..   | 1.1    |
| 18       | 2101E5 | BEARING, FINAL GEAR SHAFT<br>:LEFT .....                                     | 1.0    |
|          | 2101J0 | BEARING, FINAL GEAR SHAFT<br>:BOTH .....                                     | 1.1    |
| 19       | 110131 | OIL SEAL, CRANKSHAFT :LEFT ...<br>.INCLUDES: Engine removal and installation | 4.5    |
| +        | 1101H3 | OIL SEAL, CRANKSHAFT :BOTH ...   | 4.6    |

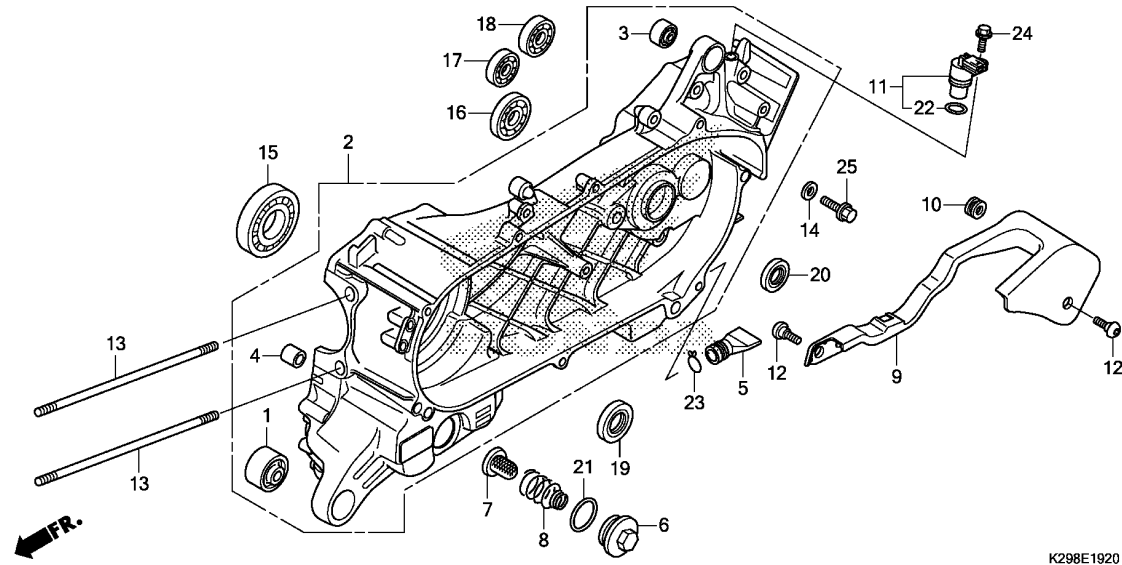
| Ref. No. | Part No.      | Description                                      | Reqd. QTY |     | Serial No. | Parts catalogue code |
|----------|---------------|--|-----------|-----|------------|----------------------|
|          |               |  | ANC125    | E F |            |                      |
| 1        | 11103-KVB-930 | BUSH, ENGINE HANGER RUBBER ..                    | 1         | 1   |            |                      |
|          | 11103-KVB-901 | BUSH, ENGINE HANGER RUBBER<br>(HOKUSHIN)         | 1         | -   |            |                      |
| 2        | 11200-KWN-980 | CRANKCASE COMP., L. ....                         | 1         | 1   |            |                      |
| 3        | 11203-KVB-901 | BUSH, RR. CUSHION UNDER RUBBER<br>(HOKUSHIN)     | 1         | 1   |            |                      |
| 4        | 11205-GBC-300 | BUSH, MAINSTAND .....                            | 1         | 1   |            |                      |
| 5        | 11343-KVG-900 | TUBE, DRAIN .....                                | 1         | 1   |            |                      |
| 6        | 12361-035-000 | CAP, TAPPET ADJUSTING HOLE ..                    | 1         | 1   |            |                      |
| 7        | 15421-KPL-900 | SCREEN, OIL FILTER .....                         | 1         | 1   |            |                      |
|          | 15421-107-000 | .....  | 1         | -   |            |                      |
| 8        | 15426-KVB-900 | SPRING, OIL FILTER SCREEN ...                    | 1         | 1   |            |                      |
| 9        | 32112-K29-900 | PROTECTOR, SPEED SENSOR .....                    | 1         | 1   |            |                      |
| 10       | 32113-KWN-900 | GROMMET, SPEED SENSOR<br>PROTECTOR               | 1         | 1   |            |                      |
| 11       | 37700-K27-V01 | SENSOR ASSY., SPEED .....                        | 1         | 1   |            |                      |
| 12       | 90001-KWR-000 | BOLT, SOCKET, 6X18 .....                         | 2         | 2   |            |                      |
| 13       | 90032-KWN-900 | BOLT B, STUD, 8X206 .....                        | 2         | 2   |            |                      |
| 14       | 90495-MN5-000 | WASHER, SEALING, 8MM .....                       | 1         | 1   |            |                      |
| 15       | 91002-KZR-602 | BEARING, RADIAL BALL SPECIAL,<br>6207(FUJIKOSHI) | 1         | 1   |            |                      |
|          | 91002-KZR-603 | BEARING, RADIAL BALL SPECIAL,<br>6207(NSK)       | 1         | -   |            |                      |
| 16       | 91003-KZR-602 | BEARING, RADIAL BALL, 6204<br>(FUJIKOSHI)        | 1         | 1   |            |                      |



# E-19-20

# LEFT CRANKCASE

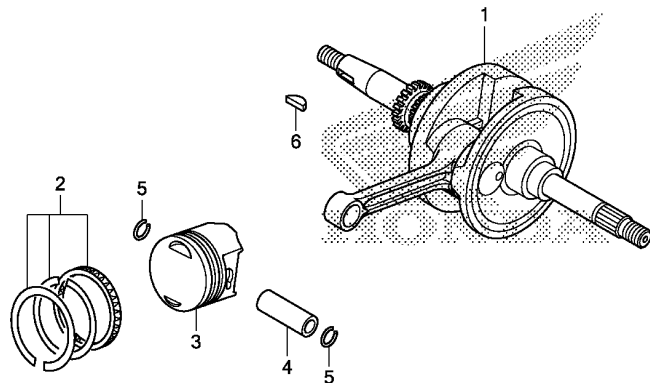
E 3



| Ref. No. | L.O.N. | (Relative ref. Number) Description         | F.R.T. |
|----------|--------|--|--------|
| +19      |        | .INCLUDES: Engine removal and installation |        |
| 20       | 2101E7 | OIL SEAL, DRIVESHAFT .....                 | 1.1    |

| Ref. No. | Part No.      | Description  | Reqd. QTY |   | Serial No. | Parts catalogue code |
|----------|---------------|--|-----------|---|------------|----------------------|
|          |               |  | ANC125    | F |            |                      |
| 16)      | 91003-KZR-601 | BEARING, RADIAL BALL, 6204 (NTN)                     | 1         | - |            |                      |
|          | 17            | 91005-KZR-601 BEARING, RADIAL BALL, 6301 (NTN)       | 1         | 1 |            |                      |
|          |               | 91005-KZR-602 BEARING, RADIAL BALL, 6301 (FUJIKOSHI) | 1         | - |            |                      |
|          | 18            | 91008-KZR-601 BEARING, RADIAL BALL, 6302 (NTN)       | 1         | 1 |            |                      |
|          |               | 91008-KZR-602 BEARING, RADIAL BALL, 6302 (FUJIKOSHI) | 1         | - |            |                      |
|          | 19            | 91202-KWN-901 OIL SEAL, 26X45X6 .....                | 1         | 1 |            |                      |
|          | 20            | 91203-KWN-901 OIL SEAL, 20X32X6 .....                | 1         | 1 |            |                      |
|          | 21            | 91302-001-020 O-RING, 30.8MM .....                   | 1         | 1 |            |                      |
|          | 22            | 91303-K27-V01 O-RING, 14.8X2.4 .....                 | 1         | 1 |            |                      |
|          | 23            | 95002-80000 CLIP, TUBE(C12) .....                    | 1         | 1 |            |                      |
|          | 24            | 95701-06016-00 BOLT, FLANGE, 6X16 .....              | 1         | 1 |            |                      |
|          | 25            | 95701-08016-00 BOLT, FLANGE, 8X16 .....              | 1         | 1 |            |                      |

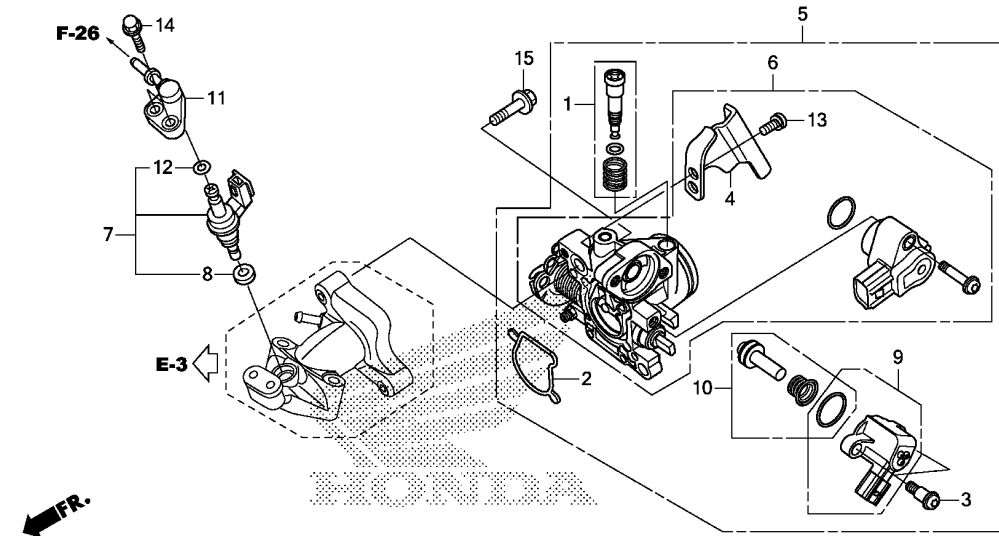
2



K298E2000

| Ref. No. | L.O.N. | (Relative ref. Number) Description   | F.R.T. |
|----------|--------|--|--------|
| 1        | 1101B5 | CRANKSHAFT .....<br>.INCLUDES: Engine removal and installation (2,4,5)             | 4.7    |
| 3        | 111103 | PISTON RING AND/OR PISTON(ONE) .....<br>.INCLUDES: Engine removal and installation | 3.4    |

| Ref. No. | Part No.      | Description                    | Reqd. QTY |     | Serial No. | Parts catalogue code |
|----------|---------------|--------------------------------|-----------|-----|------------|----------------------|
|          |               |                                | ANC125    | E F |            |                      |
| 1        | 13000-KZR-601 | CRANKSHAFT COMP. ....          | 1         | 1   |            |                      |
| 2        | 13011-KWN-900 | RING SET, PISTON(STD.) (RIKEN) | 1         | 1   |            |                      |
|          | 13011-KZR-600 | RING SET, PISTON(STD.) (TPR) - | 1         | 1   |            |                      |
|          | 13021-KWN-900 | RING SET, PISTON(0.25) (RIKEN) | (1)       | (1) |            |                      |
|          | 13021-KZR-600 | RING SET, PISTON(0.25) (TPR) - | (1)       | (1) |            |                      |
|          | 13031-KWN-900 | RING SET, PISTON(0.50) (RIKEN) | (1)       | (1) |            |                      |
|          | 13031-KZR-600 | RING SET, PISTON(0.50) (TPR) - | (1)       | (1) |            |                      |
|          | 13041-KWN-900 | RING SET, PISTON(0.75) (RIKEN) | (1)       | (1) |            |                      |
|          | 13041-KZR-600 | RING SET, PISTON(0.75) (TPR) - | (1)       | (1) |            |                      |
|          | 13051-KWN-900 | RING SET, PISTON(1.00) (RIKEN) | (1)       | (1) |            |                      |
|          | 13051-KZR-600 | RING SET, PISTON(1.00) (TPR) - | (1)       | (1) |            |                      |
| 3        | 13101-KWN-902 | PISTON(STD.) .....             | 1         | 1   |            |                      |
|          | 13102-KWN-903 | PISTON(O.S. 0.25) .....        | (1)       | (1) |            |                      |
|          | 13103-KWN-903 | PISTON(O.S. 0.50) .....        | (1)       | (1) |            |                      |
|          | 13104-KWN-903 | PISTON(O.S. 0.75) .....        | (1)       | (1) |            |                      |
|          | 13105-KWN-903 | PISTON(O.S. 1.00) .....        | (1)       | (1) |            |                      |
|          | 13101-K27-V00 | PISTON .....                   | 1         | -   |            |                      |
| 4        | 13111-KWN-900 | PIN, PISTON .....              | 1         | 1   |            |                      |
| 5        | 13115-GN5-910 | CLIP, PISTON PIN, 13MM .....   | 2         | 2   |            |                      |
| 6        | 90741-003-010 | KEY, WOODRUFF, 4MM .....       | 1         | 1   |            |                      |



K298E2200

| Ref. No. | L.O.N.    | (Relative ref. Number) Description | F.R.T. |
|----------|-----------|------------------------------------|--------|
| 5        | (2)       |                                    |        |
| 311132   |           | BODY ASSY., THROTTLE .....         | 0.4    |
| 6        | 311130    | BODY, THROTTLE .....               | 0.5    |
| 7        | (8,11,12) |                                    |        |
| 311145   |           | INJECTOR, FUEL .....               | 0.5    |
| 9        | (10)      |                                    |        |
| 311125   |           | VALVE, STARTER .....               | 0.4    |

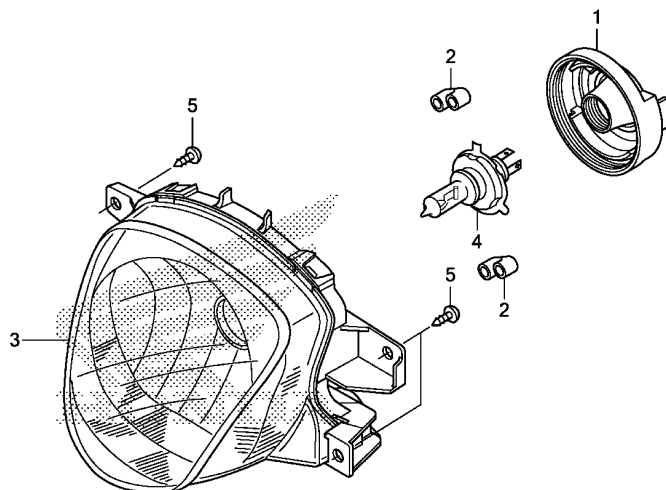
| Ref. No. | Part No.       | Description                         | Reqd. QTY |   | Serial No. | Parts catalogue code |
|----------|----------------|-------------------------------------|-----------|---|------------|----------------------|
|          |                |                                     | ANC125    | F |            |                      |
| 1        | 16016-KVB-S51  | SCREW SET .....                     | 1         | - |            |                      |
|          | 16016-K03-H11  | .....                               | -         | 1 |            |                      |
| 2        | 16075-KZR-601  | O-RING, THROTTLE BODY .....         | 1         | 1 |            |                      |
| 3        | 16081-KPH-701  | SCREW, TORX, 5X8.7 .....            | 2         | - |            |                      |
|          | 16081-KYJ-901  | .....                               | -         | 2 |            |                      |
| 4        | 16169-KZR-601  | STAY, WIRE .....                    | 1         | 1 |            |                      |
| 5        | 16400-K29-901  | BODY ASSY., THROTTLE(GQYBA A) ..... | 1         | - |            |                      |
|          | 16400-K29-911  | BODY ASSY., THROTTLE(GQY2B A) ..... | -         | 1 |            |                      |
| 6        | 16410-K29-901  | BODY SET .....                      | 1         | - |            |                      |
|          | 16410-K29-911  | .....                               | -         | 1 |            |                      |
| 7        | 16450-K29-901  | INJECTOR ASSY., FUEL .....          | 1         | - |            |                      |
|          | 16450-K35-V01  | .....                               | -         | 1 |            |                      |
| 8        | 16472-KPC-D50  | RING, SEAL .....                    | 1         | 1 |            |                      |
| 9        | 16480-KVB-S51  | SOLENOID .....                      | 1         | 1 |            |                      |
| 10       | 16485-KVB-S51  | SEAT SET .....                      | 1         | - |            |                      |
|          | 16485-GGZ-J01  | .....                               | -         | 1 |            |                      |
| 11       | 17560-K29-900  | JOINT COMP., INJECTOR .....         | 1         | 1 |            |                      |
| 12       | 91301-GGL-J01  | O-RING, 6.3X2.2 .....               | 1         | 1 |            |                      |
| 13       | 93892-05012-18 | SCREW-WASHER, 5X12 .....            | 1         | 1 |            |                      |
| 14       | 95701-06022-00 | BOLT, FLANGE, 6X22 .....            | 2         | 2 |            |                      |
| 15       | 96001-06025-00 | BOLT, FLANGE, 6X25 .....            | 2         | 2 |            |                      |



F-1

HEADLIGHT

F 1

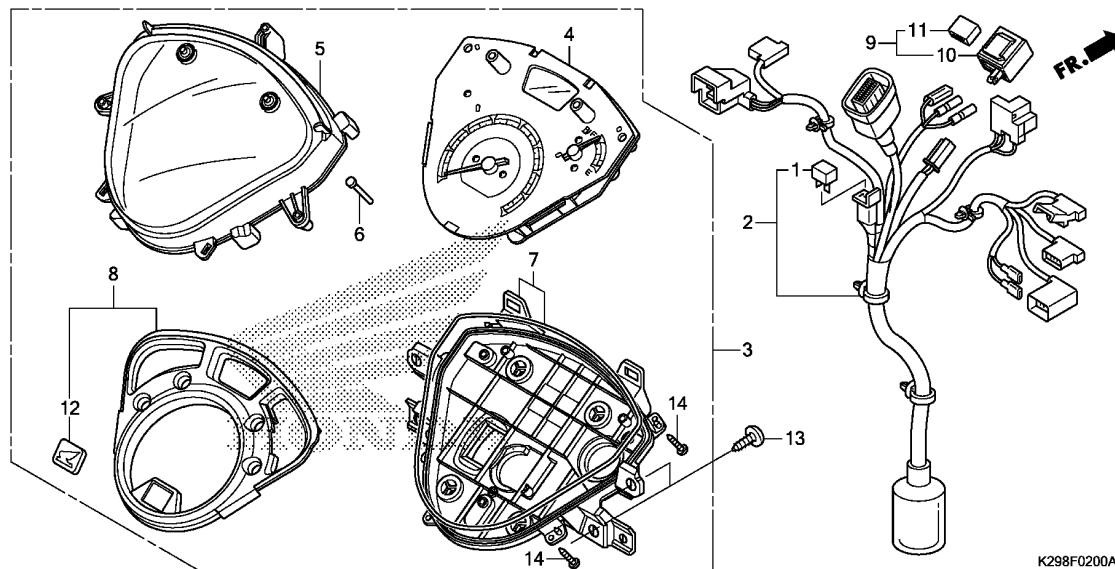


K298F0100

| Ref. No. | L.O.N. | (Relative ref. Number)<br>Description | F.R.T. |
|----------|--------|---------------------------------------|--------|
| 3        | 6161A7 | HEADLIGHT UNIT .....                  | 0.3    |
| 4        | 616118 | BULB, HEADLIGHT .....                 | 0.2    |

3

| Ref. No. | Part No.      | Description                                   | Reqd. QTY |   | Serial No. | Parts catalogue code |
|----------|---------------|---|-----------|---|------------|----------------------|
|          |               |   | ANC125    | F |            |                      |
| 1        | 33112-K29-901 | COVER, RUBBER .....                           | 1         | 1 |            |                      |
| 2        | 33113-K29-901 | PIPE, CP .....                                | 2         | 2 |            |                      |
| 3        | 33120-K29-901 | HEADLIGHT UNIT .....                          | 1         | 1 |            |                      |
| 4        | 34901-KTE-740 | BULB, HEADLIGHT(HS1)<br>(12V 35/35W)(PHILIPS) | 1         | 1 |            |                      |
| 5        | 93903-35310   | SCREW, TAPPING, 5X16 .....                    | 4         | 4 |            |                      |



| Ref. No. | L.O.N. | (Relative ref. Number)<br>Description | F.R.T. |
|----------|--------|---------------------------------------|--------|
| 1        | 6131B3 | RECTIFIER, SILICON .....              | 0.4    |
| 2        | 8121C6 | SUB HARNESS, METER .....              | 1.7    |
| 3        | 8121A1 | METER ASSY., COMBINATION .....        | 0.6    |
| 4        | 8121A2 | METER, COMBINATION .....              | 0.8    |
| 5        | 8121B4 | CASE, METER :UPPER .....              | 0.6    |
| 7        | 8121B5 | CASE, METER :LOWER .....              | 0.7    |
| 8        | 4131A3 | PLATE, REFLECTING .....               | 0.6    |
| 9        |        | (10)                                  |        |
|          | 6111C3 | RELAY, WINKER .....                   | 0.3    |

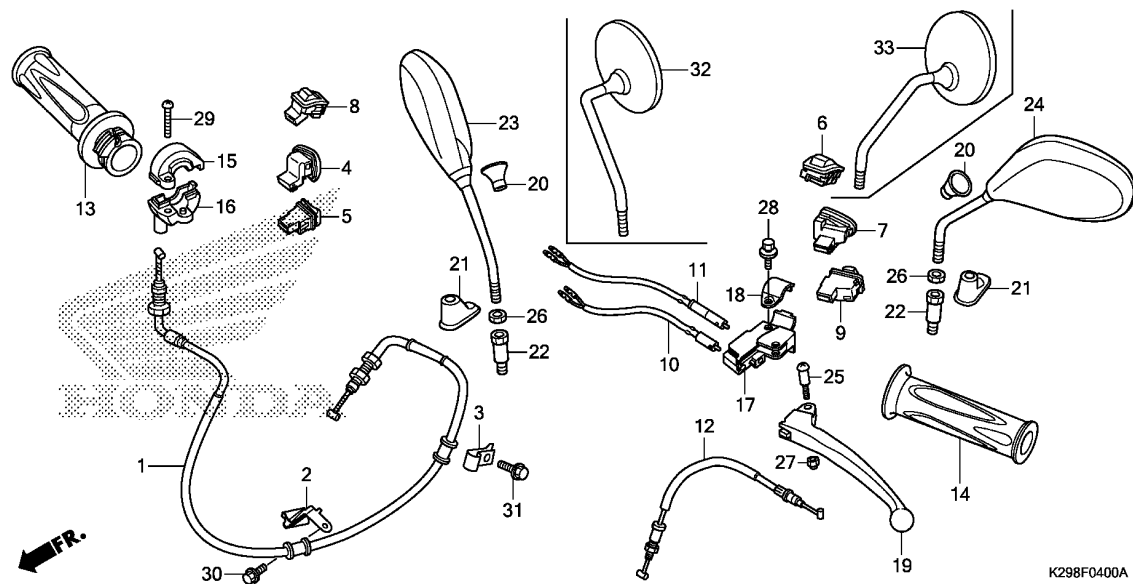
| Ref. No. | Part No.      | Description                           | Reqd. QTY |   | Serial No. | Parts catalogue code |
|----------|---------------|---------------------------------------|-----------|---|------------|----------------------|
|          |               |                                       | ANC125    | F |            |                      |
| 1        | 31700-124-008 | RECTIFIER ASSY., SILICON (SHINDENGEN) | 1         | 1 |            |                      |
| 2        | 32101-K29-900 | SUB HARNESS, SPEEDOMETER .....        | 1         | 1 |            |                      |
| 3        | 37100-K29-901 | METER ASSY., COMBINATION(KPH) .....   | 1         | - |            |                      |
|          | 37100-K29-911 | .....                                 | -         | 1 |            |                      |
| 4        | 37110-K29-901 | METER COMP., COMBINATION(KPH) .....   | 1         | - |            |                      |
|          | 37110-K29-911 | .....                                 | -         | 1 |            |                      |
| 5        | 37112-K29-901 | CASE ASSY., UPPER .....               | 1         | 1 |            |                      |
| 6        | 37113-K29-901 | ROD, SWITCH EXTENSION .....           | 2         | 2 |            |                      |
| 7        | 37213-K29-901 | CASE ASSY., UNDER .....               | 1         | 1 |            |                      |
| 8        | 37230-K29-901 | PLATE ASSY., REFLECTING .....         | 1         | 1 |            |                      |
| 9        | 38300-KPH-881 | RELAY ASSY., WINKER .....             | 1         | 1 |            |                      |
| 10       | 38301-KPH-881 | RELAY COMP., WINKER .....             | 1         | 1 |            |                      |
| 11       | 38306-KK4-000 | SUSPENSION, WINKER RELAY (MITSUBA)    | 1         | 1 |            |                      |
| 12       | 86150-GFC-901 | EMBLEM, PRODUCT(MARUI) .....          | 1         | 1 |            |                      |
|          | 86150-GFC-902 | EMBLEM, PRODUCT(UEHARA) .....         | 1         | - |            |                      |
|          | 86150-KYS-940 | EMBLEM, PRODUCT(SHINKO ASIA) .....    | 1         | - |            |                      |
| 13       | 93903-35310   | SCREW, TAPPING, 5X16 .....            | 4         | 4 |            |                      |
| 14       | 90102-K29-901 | SCREW, TAPPING, 3X14 .....            | 9         | 9 |            |                      |



F-4

HANDLE LEVER/SWITCH/CABLE

F 3

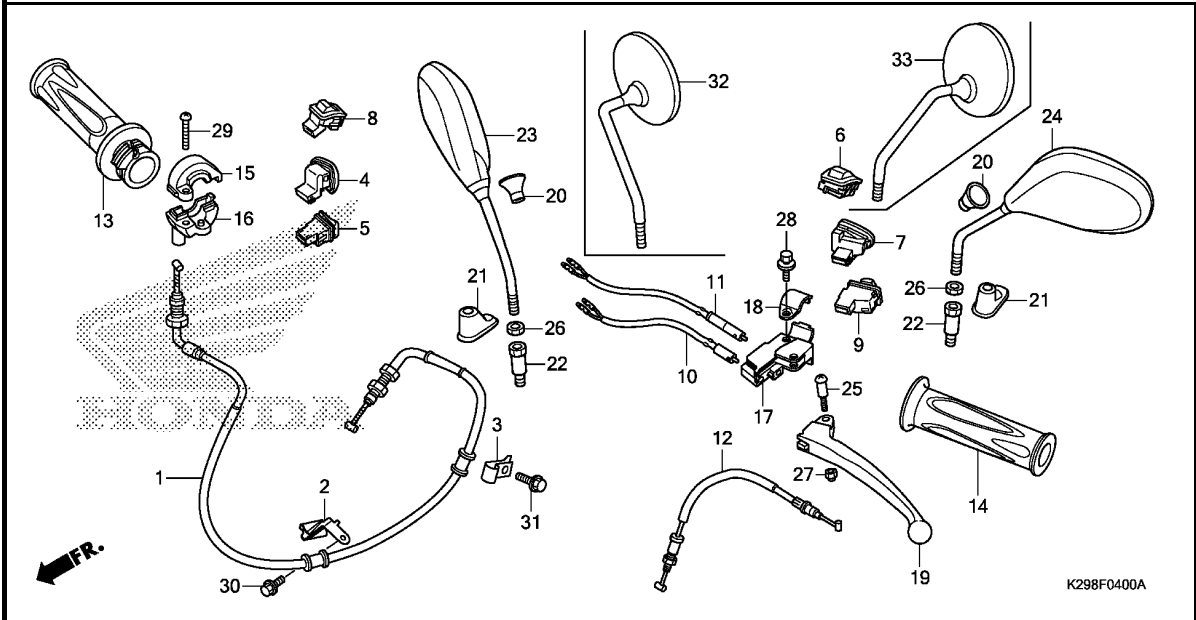


| Ref. No. | L.O.N. | (Relative ref. Number) Description | F.R.T. |
|----------|--------|------------------------------------|--------|
| 1        | 811100 | CABLE, THROTTLE .....              | 1.4    |
| 4        | 6151C1 | SWITCH, LIGHTING .....             | 0.4    |
| 5        | 615116 | SWITCH, STARTER .....              | 0.4    |
| 6        | 615117 | SWITCH, DIMMER .....               | 0.4    |
| 7        | 6151A3 | SWITCH, HORN .....                 | 0.4    |
| 8        | 6151C4 | SWITCH, IDLE .....                 | 0.4    |
| 9        | 615118 | SWITCH, WINKER .....               | 0.4    |
| 10       | 6151B3 | SWITCH, REAR STOP :LEVER SIDE      | 0.3    |
|          | 6151B6 | SWITCH, STOP :BOTH .....           | 0.4    |
| 11       | 6151C6 | SWITCH, LEFT START .....           | 0.3    |
| 12       | 8111E1 | CABLE, REAR BRAKE FIRST .....      | 0.5    |
| 13       | 810150 | GRIP, THROTTLE .....               | 0.3    |
| 14       | 8101C0 | GRIP, HANDLE :LEFT .....           | 0.1    |
| 16       | 810155 | HOUSING, THROTTLE .....            | 0.3    |
| 17       | 8101C8 | BRACKET, HANDLE LEVER :LEFT ..     | 0.4    |
| 19       | 8101C6 | LEVER, HANDLE :LEFT .....          | 0.2    |
|          | 8101F5 | LEVER, HANDLE :BOTH .....          | 0.3    |

| Ref. No. | Part No.      | Description                     | Reqd. QTY |     | Serial No. | Parts catalogue code |
|----------|---------------|---------------------------------|-----------|-----|------------|----------------------|
|          |               |                                 | ANC125    | E F |            |                      |
| 1        | 17910-K29-901 | CABLE COMP., THROTTLE .....     | 1         | -   |            |                      |
|          | 17910-K29-911 | .....                           | -         | 1   |            |                      |
| 2        | 17922-KZR-600 | CLAMP A, THROTTLE CABLE .....   | 1         | 1   |            |                      |
| 3        | 17925-K01-900 | CLAMP B, THROTTLE CABLE .....   | 1         | 1   |            |                      |
| 4        | 35150-KYZ-V01 | SWITCH UNIT, LIGHTING .....     | 1         | 1   |            |                      |
| 5        | 35160-KYZ-901 | SWITCH UNIT, STARTER .....      | 1         | 1   |            |                      |
| 6        | 35170-KYZ-901 | SWITCH UNIT, DIMMER .....       | 1         | 1   |            |                      |
| 7        | 35180-KYZ-901 | SWITCH UNIT, HORN .....         | 1         | 1   |            |                      |
| 8        | 35190-KWN-901 | SWITCH UNIT, IDLE .....         | 1         | 1   |            |                      |
| 9        | 35200-KYZ-901 | SWITCH UNIT, WINKER .....       | 1         | 1   |            |                      |
| 10       | 35340-GFM-J11 | SWITCH ASSY., FR. STOP .....    | 1         | 1   |            |                      |
| 11       | 35345-GFM-J11 | SWITCH ASSY., INHIBITOR .....   | 1         | 1   |            |                      |
| 12       | 43440-K29-901 | CABLE COMP., RR. BRAKE FIRST    | 1         | 1   |            |                      |
| 13       | 53140-K29-900 | GRIP COMP., THROTTLE .....      | 1         | 1   |            |                      |
| 14       | 53166-K29-900 | GRIP, L. HANDLE .....           | 1         | 1   |            |                      |
| 15       | 53167-KFM-900 | HOUSING, UPPER THROTTLE .....   | 1         | 1   |            |                      |
| 16       | 53168-KFM-901 | HOUSING, UNDER THROTTLE .....   | 1         | -   |            |                      |
|          | 53168-KFM-902 | .....                           | -         | 1   |            |                      |
| 17       | 53172-KZL-E00 | BRACKET, L. HANDLE LEVER .....  | 1         | 1   |            |                      |
| 18       | 53173-GFM-970 | BAND, HANDLE BRACKET .....      | 1         | 1   |            |                      |
| 19       | 53178-KZL-940 | LEVER, L. STEERING HANDLE ..... | 1         | 1   |            |                      |
| 20       | 88113-KZL-E00 | BOOT, MIRROR .....              | 2         | 2   | -----      | V                    |
| 21       | 88114-K29-900 | BOOT, MIRROR .....              | 2         | 2   |            |                      |
| 22       | 88115-K29-900 | BOLT, ADAPTER, 10MM .....       | 2         | 2   |            |                      |
| 23       | 88210-K29-901 | MIRROR COMP., R. ....           | 1         | 1   | -----      | V                    |

F-4

HANDLE LEVER/SWITCH/CABLE



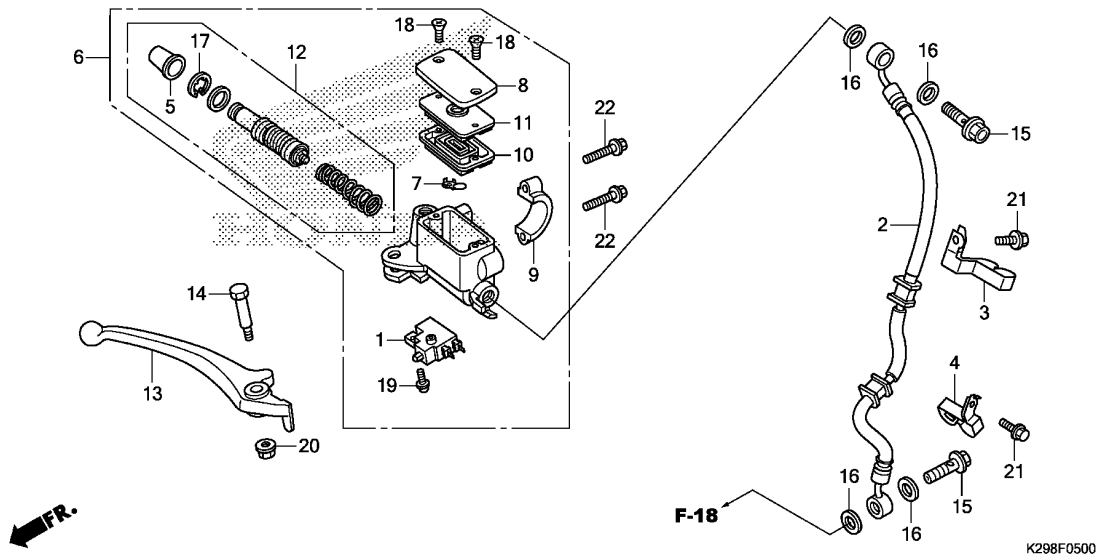
| Ref. No. | Part No.       | Description                   | Reqd. QTY |   | Serial No. | Parts catalogue code |
|----------|----------------|-------------------------------|-----------|---|------------|----------------------|
|          |                |                               | ANC125    | F |            |                      |
| 24       | 88220-K29-901  | MIRROR COMP., L. ....         | 1         | 1 | ----- V    |                      |
| 25       | 90116-GFM-900  | SCREW, HANDLE LEVER PIVOT ... | 1         | 1 |            |                      |
| 26       | 90301-GFC-B50  | NUT, LOCK(LEFT HAND THREAD) . | 2         | 2 |            |                      |
| 27       | 90302-KVB-T01  | NUT, U, 5MM .....             | 1         | 1 |            |                      |
| 28       | 93401-06020-00 | BOLT-WASHER, 6X20 .....       | 1         | 1 |            |                      |
| 29       | 93500-05025-0A | SCREW, PAN, 5X25 .....        | 1         | 1 |            |                      |
| 30       | 95701-06012-00 | BOLT, FLANGE, 6X12 .....      | 1         | 1 |            |                      |
| 31       | 95701-06016-00 | BOLT, FLANGE, 6X16 .....      | 1         | 1 |            |                      |
| 32       | 88210-K29-920  | MIRROR COMP., R. ....         | -         | 1 | ----- 2V   |                      |
| 33       | 88220-K29-920  | MIRROR COMP., L. ....         | -         | 1 | ----- 2V   |                      |



**F-5**

**FRONT BRAKE MASTER CYLINDER**

**F 5**



| Ref. No. | L.O.N. | (Relative ref. Number) Description | F.R.T. |
|----------|--------|------------------------------------|--------|
| 1        | 6151B2 | SWITCH, FRONT STOP .....           | 0.3    |
|          | 6151B6 | SWITCH, STOP :BOTH .....           | 0.4    |
| 2        | 7121A0 | HOSE, FRONT BRAKE .....            | 0.8    |
|          |        | .INCLUDES: Bleed brakes            |        |
| 6        | 712105 | CYLINDER, FRONT BRAKE MASTER .     | 0.7    |
|          |        | .INCLUDES: Bleed brakes            |        |
| 10       | 7121G6 | DIAPHRAGM, FRONT BRAKE MASTER      |        |
|          |        | CYLINDER .....                     | 0.2    |
| 12       | 7121G9 | PISTON SET, FRONT BRAKE MASTER     | 0.7    |
|          |        | .INCLUDES: Bleed brakes            |        |
| 13       | 8101C7 | LEVER, HANDLE :RIGHT .....         | 0.2    |
|          | 8101F5 | LEVER, HANDLE :BOTH .....          | 0.3    |

**3**

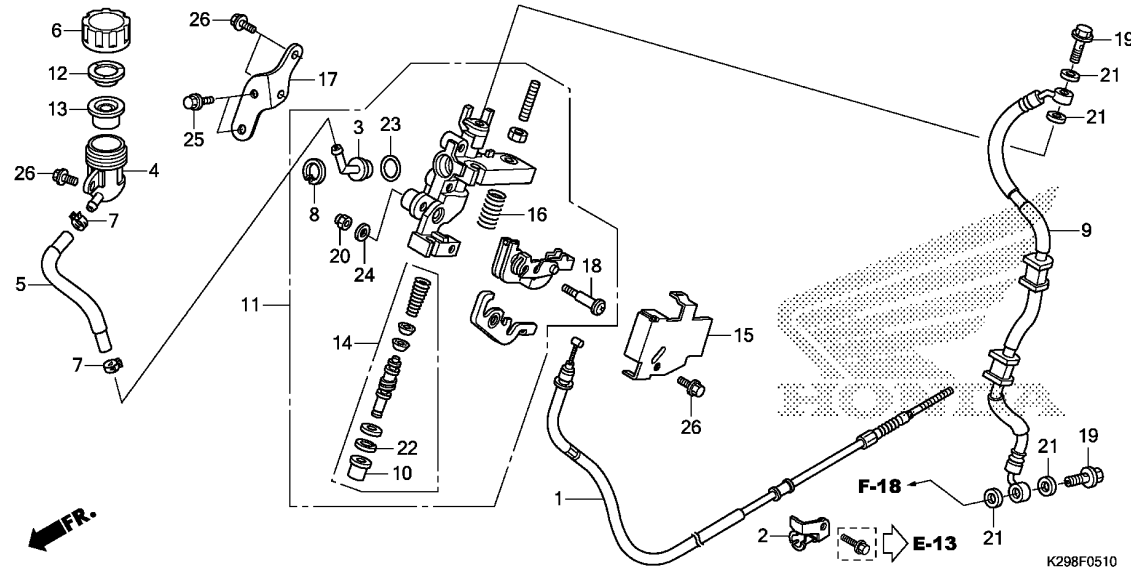
| Ref. No. | Part No.       | Description                    | Reqd. QTY |   | Serial No. | Parts catalogue code |
|----------|----------------|--------------------------------|-----------|---|------------|----------------------|
|          |                |                                | ANC125    | F |            |                      |
| 1        | 35340-KWB-601  | SWITCH ASSY., FR. STOP .....   | 1         | 1 |            |                      |
| 2        | 45126-K29-901  | HOSE COMP., FR. BRAKE .....    | 1         | 1 |            |                      |
| 3        | 45156-K29-900  | CLAMPER A, BRAKE HOSE .....    | 1         | 1 |            |                      |
| 4        | 45157-K29-900  | CLAMPER B, BRAKE HOSE .....    | 1         | 1 |            |                      |
| 5        | 45504-410-003  | BOOT COMP. ....                | 1         | 1 |            |                      |
| 6        | 45510-KZL-A01  | CYLINDER SUB ASSY., FR. MASTER | 1         | - |            |                      |
|          | 45510-KZL-A02  | .....                          | -         | 1 |            |                      |
| 7        | 45512-MA6-006  | PROTECTOR .....                | 1         | 1 |            |                      |
| 8        | 45513-HA2-006  | CAP, MASTER CYLINDER .....     | 1         | 1 |            |                      |
| 9        | 45517-GW0-751  | HOLDER, MASTER CYLINDER .....  | 1         | 1 |            |                      |
| 10       | 45520-MG7-006  | DIAPHRAGM .....                | 1         | - |            |                      |
|          | 45520-GE2-006  | .....                          | -         | 1 |            |                      |
| 11       | 45521-HA2-006  | PLATE, DIAPHRAGM .....         | 1         | - |            |                      |
|          | 45521-K21-901  | .....                          | -         | 1 |            |                      |
| 12       | 45530-KVY-911  | CYLINDER SET, MASTER .....     | 1         | 1 |            |                      |
| 13       | 53175-KRS-T80  | LEVER, R. STEERING HANDLE ...  | 1         | 1 |            |                      |
| 14       | 90114-KGH-900  | BOLT, HANDLE LEVER PIVOT ....  | 1         | 1 |            |                      |
| 15       | 90145-KPH-B30  | BOLT, OIL, 10X22(NISSIN) ....  | 2         | 2 |            |                      |
| 16       | 90545-300-000  | WASHER, OIL BOLT .....         | 4         | 4 |            |                      |
| 17       | 90651-MA5-671  | CIRCLIP .....                  | 1         | 1 |            |                      |
| 18       | 93600-04012-16 | SCREW, FLAT, 4X12 .....        | 2         | 2 |            |                      |
| 19       | 93893-04012-17 | SCREW-WASHER, 4X12 .....       | 1         | 1 |            |                      |
| 20       | 94050-06000    | NUT, FLANGE, 6MM .....         | 1         | 1 |            |                      |
| 21       | 95701-06012-00 | BOLT, FLANGE, 6X12 .....       | 2         | 2 |            |                      |
| 22       | 96001-06022-00 | BOLT, FLANGE, 6X22 .....       | 2         | 2 |            |                      |



# F-5-10

# BRAKE MASTER CYLINDER(CBS)

# F 6



| Ref. No. | L.O.N. | (Relative ref. Number) Description                        | F.R.T. |
|----------|--------|---|--------|
| 1        | 8111A6 | CABLE, REAR BRAKE SECOND .....                            | 1.3    |
| 4        | 7121S4 | CUP, CBS MASTER CYLINDER OIL .<br>.INCLUDES: Bleed brakes | 0.5    |
| 5        | 7121S5 | HOSE, CBS MASTER CYLINDER OIL<br>CUP .....                | 0.6    |
| 9        | 7121S3 | HOSE, COMBI BRAKE .....                                   | 0.6    |
| 11       | 7111Q4 | CYLINDER, CBS MASTER .....                                | 0.8    |
| 13       | 7121S6 | DIAPHRAGM, CBS BRAKE MASTER<br>CYLINDER .....             | 0.2    |
| 14       | 7121S2 | PISTON SET, CBS MASTER .....                              | 1.0    |
| 15       | 7111Q5 | COVER, CBS MASTER CYLINDER ...                            | 0.3    |

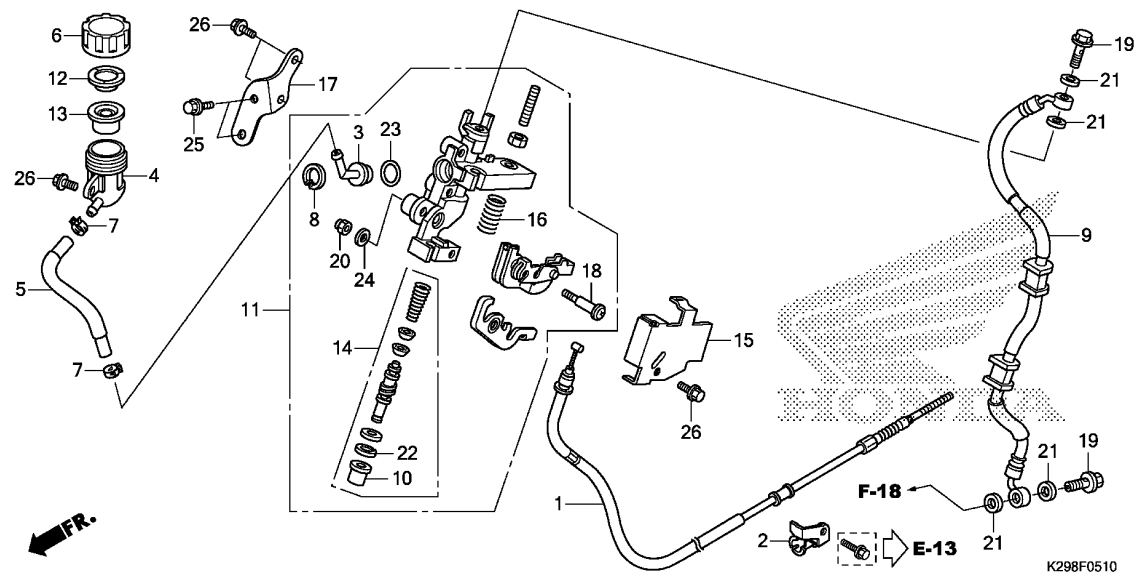
| Ref. No. | Part No.      | Description                            | Reqd. QTY |   | Serial No. | Parts catalogue code |
|----------|---------------|--|-----------|---|------------|----------------------|
|          |               |  | ANC125    | F |            |                      |
| 1        | 43450-K29-901 | CABLE COMP., RR. BRAKE SECOND          | 1         | 1 |            |                      |
| 2        | 43455-K12-900 | CLAMPER, RR. BRAKE CABLE ....          | 1         | 1 |            |                      |
| 3        | 43503-KS6-701 | CONNECTOR, MASTER CYLINDER ..          | 1         | 1 |            |                      |
| 4        | 43511-KS6-702 | CUP COMP., MASTER CYLINDER OIL         | 1         | 1 |            |                      |
| 5        | 43512-K29-901 | HOSE COMP., MASTER CYLINDER .          | 1         | 1 |            |                      |
| 6        | 43513-KWN-931 | CAP, MASTER CYLINDER .....             | 1         | 1 |            |                      |
| 7        | 43514-KS6-701 | CLAMP, MASTER CYLINDER OIL<br>HOSE     | 2         | 2 |            |                      |
| 8        | 43517-KS6-701 | CIRCLIP, RR. MASTER CYLINDER           | 1         | 1 |            |                      |
| 9        | 45127-K29-901 | HOSE COMP., CBS .....                  | 1         | 1 |            |                      |
| 10       | 45504-410-003 | BOOT COMP. ....                        | 1         | 1 |            |                      |
| 11       | 45510-KVT-305 | CYLINDER SUB ASSY., MASTER<br>(NISSIN) | 1         | 1 |            |                      |
| 12       | 45518-GM9-711 | PLATE, DIAPHRAGM .....                 | 1         | 1 |            |                      |
| 13       | 45520-GM9-711 | DIAPHRAGM .....                        | 1         | 1 |            |                      |
| 14       | 45530-KVY-911 | CYLINDER SET, MASTER .....             | 1         | 1 |            |                      |
| 15       | 47602-KZL-930 | COVER, MASTER CYLINDER .....           | 1         | 1 |            |                      |
| 16       | 47604-KWN-931 | SPRING, DELAY .....                    | 1         | 1 |            |                      |
| 17       | 50313-K29-900 | BRACKET, MASTER CYLINDER(CBS)          | 1         | 1 |            |                      |
| 18       | 90114-GEV-712 | BOLT, PIVOT .....                      | 1         | 1 |            |                      |
| 19       | 90145-KPH-B30 | BOLT, OIL, 10X22(NISSIN) ....          | 2         | 2 |            |                      |
| 20       | 90301-GEV-711 | NUT, U, 6MM .....                      | 1         | 1 |            |                      |
| 21       | 90545-300-000 | WASHER, OIL BOLT .....                 | 4         | 4 |            |                      |
| 22       | 90651-MA5-671 | CIRCLIP .....                          | 1         | 1 |            |                      |
| 23       | 91212-422-006 | O-RING, 14.8X2.4 .....                 | 1         | 1 |            |                      |



**F-5-10**

**BRAKE MASTER CYLINDER(CBS)**

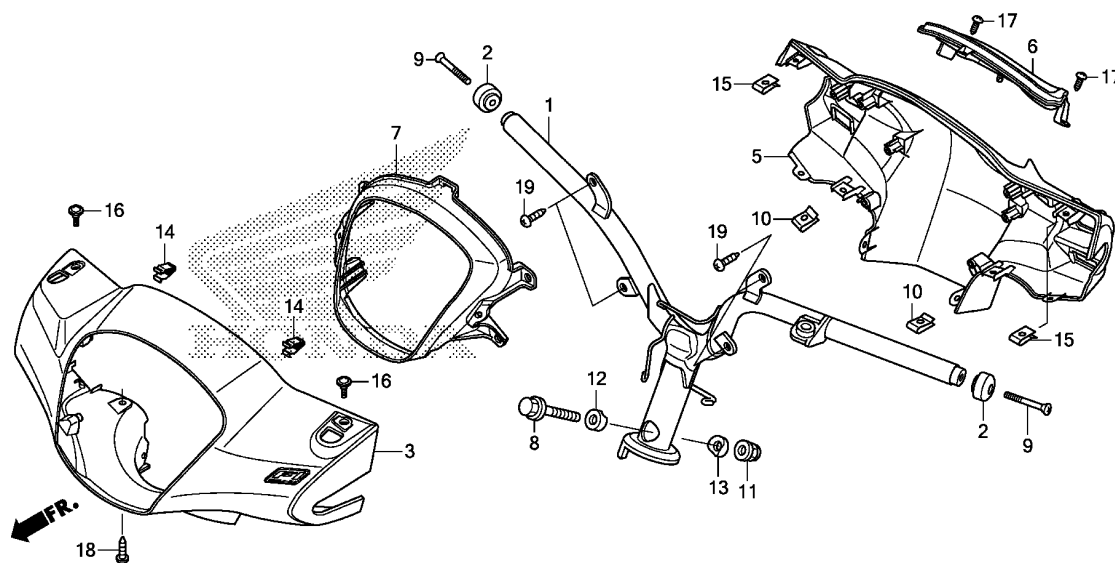
**F 7**



| Ref. No. | Part No. | Description | Reqd. QTY |   | Serial No. | Parts catalogue code |
|----------|----------|-------------|-----------|---|------------|----------------------|
|          |          |             | ANC125    | F |            |                      |

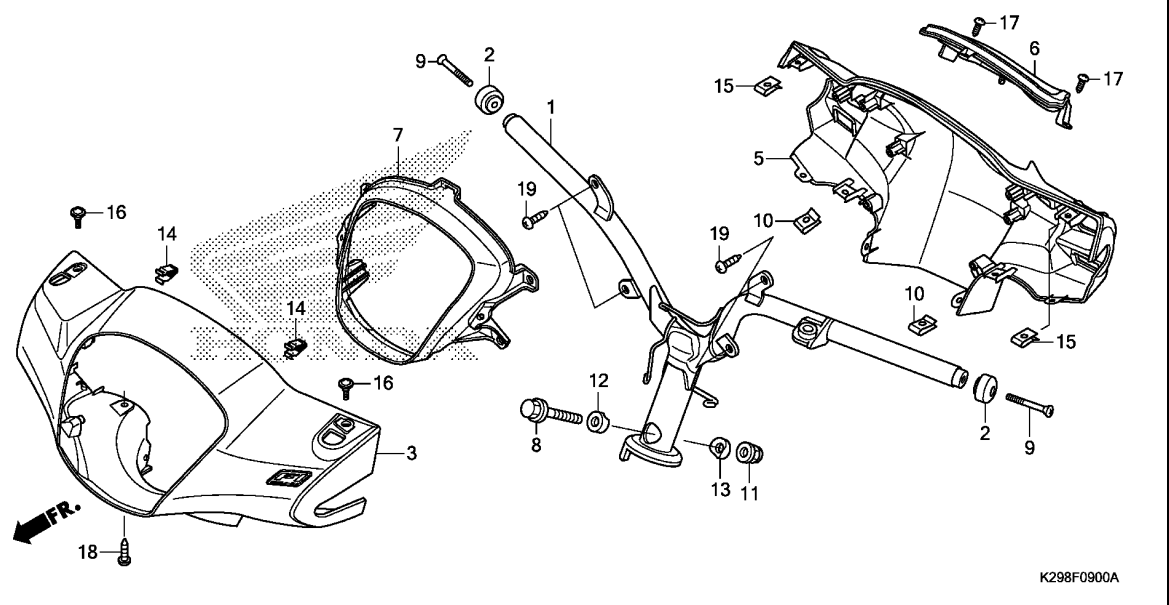
|    |                |                    |   |   |  |  |
|----|----------------|--------------------|---|---|--|--|
| 24 | 94101-06000    | WASHER, PLAIN, 6MM | 1 | 1 |  |  |
| 25 | 95701-06012-00 | BOLT, FLANGE, 6X12 | 2 | 2 |  |  |
| 26 | 95701-06014-00 | BOLT, FLANGE, 6X14 | 4 | 4 |  |  |

**3**



| Ref. No. | L.O.N. | (Relative ref. Number)<br>Description | F.R.T. |
|----------|--------|---------------------------------------|--------|
| 1        | 810100 | PIPE, STEERING HANDLE .....           | 0.7    |
| 3        |        | (7)                                   |        |
|          | 4131B5 | COVER, HANDLE :FRONT .....            | 0.3    |
|          | 4131B6 | COVER, HANDLE :REAR .....             | 0.5    |
|          | 4131U1 | COVER, HANDLE :BOTH .....             | 0.6    |
| 6        | 8121E3 | COVER, METER .....                    | 0.5    |

| Ref. No. | Part No.        | Description                   | Reqd. QTY |   | Serial No. | Parts catalogue code |
|----------|-----------------|-------------------------------|-----------|---|------------|----------------------|
|          |                 |                               | ANC125    | F |            |                      |
| 1        | 53100-K29-900   | PIPE COMP., STEERING HANDLE . | 1         | 1 |            |                      |
| 2        | 53104-K29-900   | WEIGHT, HANDLE .....          | 2         | 2 |            |                      |
| 3        | 53204-K29-900ZA | COVER SET, FR. HANDLE(WL)     |           |   |            |                      |
|          |                 | *TYPE8*.....                  | 1         | - |            |                      |
|          | 53204-K29-900ZB | *TYPE7*.....                  | 1         | - |            |                      |
|          | 53204-K29-900ZC | *TYPE6*.....                  | 1         | - |            |                      |
|          | 53204-K29-900ZD | *TYPE5*.....                  | 1         | - |            |                      |
|          | 53204-K29-900ZE | *TYPE4*.....                  | 1         | - |            |                      |
|          | 53204-K29-900ZF | *TYPE3*.....                  | 1         | - |            |                      |
|          | 53204-K29-900ZG | *TYPE2*.....                  | 1         | - |            |                      |
|          | 53204-K29-900ZH | *TYPE1*.....                  | 1         | - |            |                      |
|          | 53204-K29-910ZH | *TYPE7*.....                  | -         | 1 | ----- 2V   |                      |
|          | 53204-K29-910ZJ | *TYPE6*.....                  | -         | 1 | ----- 2V   |                      |
|          | 53204-K29-910ZK | *TYPE5*.....                  | -         | 1 | ----- 2V   |                      |
|          | 53204-K29-910ZL | *TYPE4*.....                  | -         | 1 | ----- V    |                      |
|          | 53204-K29-910ZM | *TYPE3*.....                  | -         | 1 | ----- V    |                      |
|          | 53204-K29-910ZN | *TYPE2*.....                  | -         | 1 | ----- V    |                      |
|          | 53204-K29-910ZP | *TYPE1*.....                  | -         | 1 | ----- V    |                      |
| 5        | 53206-K29-900ZA | COVER, RR. HANDLE             |           |   |            |                      |
|          |                 | *YR286R*.....CASTAGNA BROWN R | 1         | 1 |            |                      |
|          | 53206-K29-900ZC | *NH1*.....BLACK               | 1         | 1 |            |                      |
|          | 53206-K29-900ZB | *R349R*.....MAPLE LEAF RED R  | 1         | - |            |                      |
| 6        | 53207-K29-900   | COVER, SPEEDOMETER .....      | 1         | 1 |            |                      |
| 7        | 53208-K29-900   | RIM, HEADLIGHT .....          | 1         | 1 |            |                      |
| 8        | 90102-KZL-930   | BOLT, FLANGE, 10X48 .....     | 1         | 1 |            |                      |
| 9        | 90191-K29-900   | SCREW, OVAL, 6X45 .....       | 2         | 2 |            |                      |
| 10       | 90302-KWW-A00   | NUT, SPRING, 4MM .....        | 2         | 2 |            |                      |



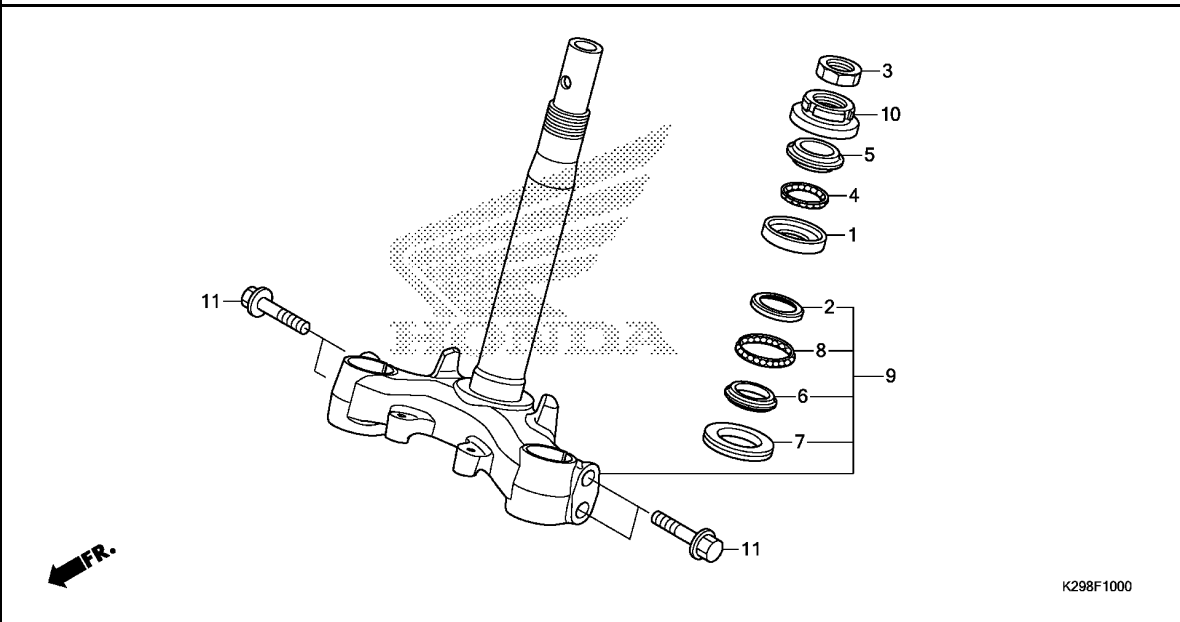
K298F0900A

| Ref. No. | Part No.      | Description                    | Reqd. QTY |   | Serial No. | Parts catalogue code |
|----------|---------------|--------------------------------|-----------|---|------------|----------------------|
|          |               |                                | ANC125    | F |            |                      |
| 11       | 90304-KGH-901 | NUT, U, 10MM .....             | 1         | 1 |            |                      |
| 12       | 90501-KPH-880 | COLLAR A, HANDLE SETTING ..... | 1         | 1 |            |                      |
| 13       | 90505-KPH-880 | COLLAR B, HANDLE SETTING ..... | 1         | 1 |            |                      |
| 14       | 90601-SJA-003 | CLIP, SNAP FITTING .....       | 2         | 2 |            |                      |
| 15       | 90677-KAN-T00 | NUT, CLIP, 5MM .....           | 2         | 2 |            |                      |
| 16       | 91509-GE2-760 | SCREW, PAN, 5X11.5 .....       | 2         | 2 |            |                      |
| 17       | 93903-34420   | SCREW, TAPPING, 4X16 .....     | 3         | 3 |            |                      |
| 18       | 93903-34480   | SCREW, TAPPING, 4X16 .....     | 2         | 2 |            |                      |
| 19       | 93903-35380   | SCREW, TAPPING, 5X16 .....     | 4         | 4 |            |                      |

**F-10**

**STEERING STEM**

**F10**



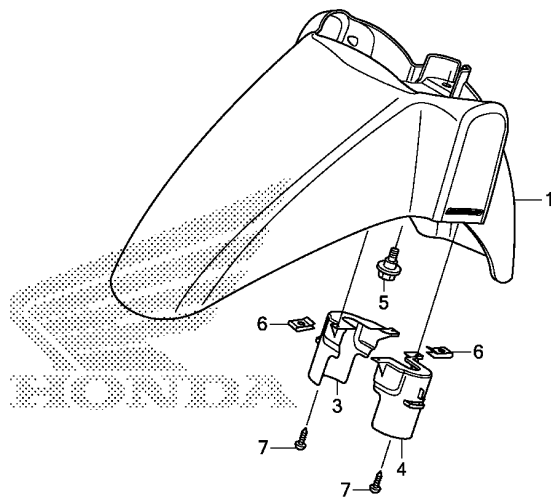
| Ref. No. | L.O.N. | (Relative ref. Number) Description | F.R.T. |
|----------|--------|------------------------------------|--------|
| 1        |        | (4)                                |        |
| 1        | 5101A0 | RACE, STEERING BALL :UPPER ...     | 2.6    |
| 2        | 5101A1 | RACE, STEERING BALL :LOWER ...     | 2.8    |
|          | 5101C9 | RACE, STEERING BALL :BOTH ....     | 2.8    |
| 5        | 5101A9 | RACE, STEERING TOP CONE .....      | 2.6    |
| 6        |        | (7,8)                              |        |
|          | 5101B0 | RACE, STEERING BOTTOM CONE ...     | 2.8    |
| 9        | 510100 | STEM OR SHAFT ASSY., STEERING      | 2.6    |
| 10       | 5101B2 | THREAD, STEERING HEAD TOP ....     | 2.4    |

| Ref. No. | Part No.       | Description                    | Reqd. QTY |   | Serial No. | Parts catalogue code |
|----------|----------------|--------------------------------|-----------|---|------------|----------------------|
|          |                |                                | ANC125    | F |            |                      |
| 1        | 50301-GN5-901  | RACE, STEERING TOP BALL .....  | 1         | 1 |            |                      |
| 2        | 50302-GN5-900  | RACE, STEERING BOTTOM BALL ..  | 1         | 1 |            |                      |
| 3        | 50306-GN5-900  | NUT, STEERING STEM LOCK .....  | 1         | 1 |            |                      |
| 4        | 53210-KVR-C00  | BALL ASSY., STEERING STEEL,    |           |   |            |                      |
|          |                | #6X21                          | 1         | 1 |            |                      |
| 5        | 53211-GN5-900  | RACE, STEERING TOP CONE .....  | 1         | 1 |            |                      |
| 6        | 53212-GN5-900  | RACE, STEERING BOTTOM CONE ..  | 1         | 1 |            |                      |
| 7        | 53214-GN5-900  | DUST SEAL, STEERING HEAD ....  | 1         | 1 |            |                      |
| 8        | 53215-KVR-C00  | BALL ASSY., STEERING STEEL,    |           |   |            |                      |
|          |                | #6X26                          | 1         | 1 |            |                      |
| 9        | 53219-K29-900  | STEM SUB ASSY., STEERING ..... | 1         | 1 |            |                      |
| 10       | 53220-GN5-850  | THREAD COMP., STEERING HEAD    |           |   |            |                      |
|          |                | TOP                            | 1         | 1 |            |                      |
| 11       | 95801-10050-08 | BOLT, FLANGE, 10X50 .....      | 4         | 4 |            |                      |

F-11

FRONT FENDER

F11

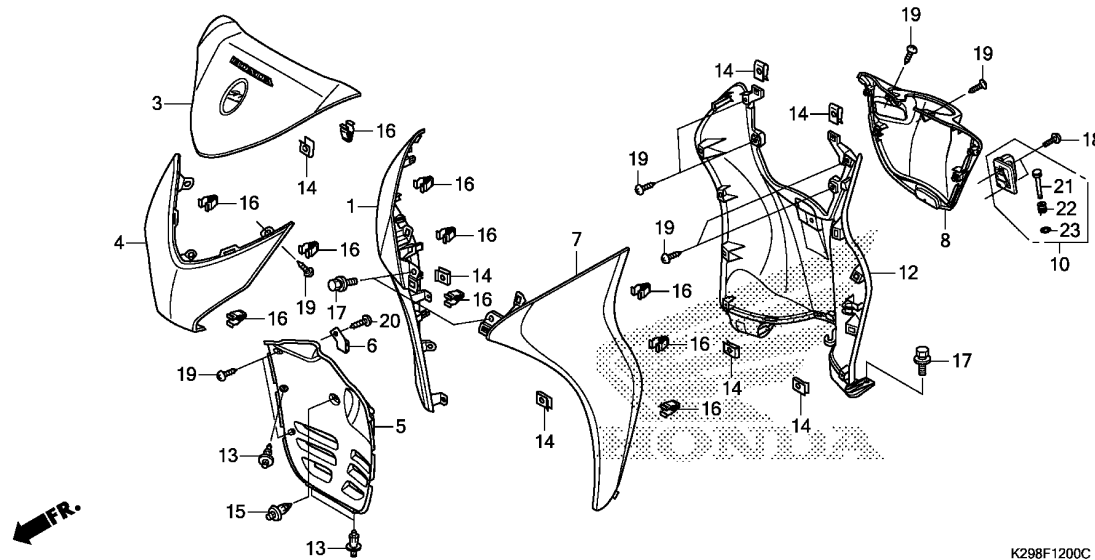


K298F1100A

| Ref. No. | L.O.N. (Relative ref. Number) | Description         | F.R.T. |
|----------|-------------------------------|---------------------|--------|
| 1        | (3,4)                         |                     |        |
| 4131B7   |                               | FENDER, FRONT ..... | 0.3    |

3

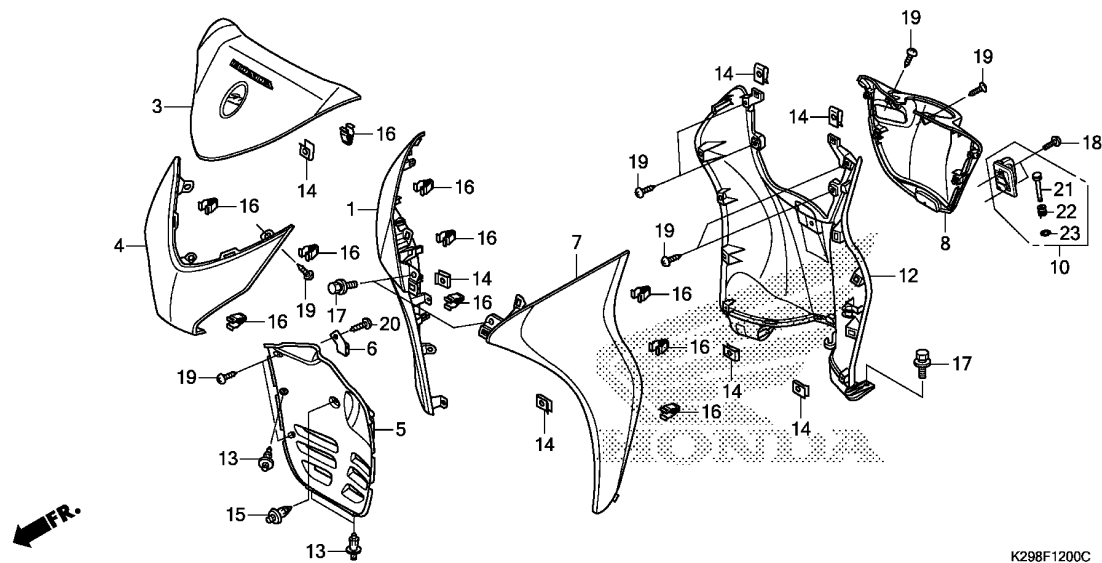
| Ref. No. | Part No.        | Description                   | Reqd. QTY |   | Serial No. | Parts catalogue code |
|----------|-----------------|-------------------------------|-----------|---|------------|----------------------|
|          |                 |                               | ANC125    | F |            |                      |
| 1        | 61000-K29-900ZA | FENDER SET, FR.(WL)           | 1         | - |            |                      |
|          |                 | *TYPE8*                       | 1         | - |            |                      |
|          | 61000-K29-900ZB | *TYPE7*                       | 1         | - |            |                      |
|          | 61000-K29-900ZC | *TYPE6*                       | 1         | - |            |                      |
|          | 61000-K29-900ZD | *TYPE5*                       | 1         | - |            |                      |
|          | 61000-K29-900ZE | *TYPE4*                       | 1         | - |            |                      |
|          | 61000-K29-900ZF | *TYPE3*                       | 1         | - |            |                      |
|          | 61000-K29-900ZG | *TYPE2*                       | 1         | - |            |                      |
|          | 61000-K29-900ZH | *TYPE1*                       | 1         | - |            |                      |
|          | 61000-K29-910ZA | *TYPE7*                       | -         | 1 | -----      | 2V                   |
|          | 61000-K29-910ZB | *TYPE6*                       | -         | 1 | -----      | 2V                   |
|          | 61000-K29-910ZC | *TYPE5*                       | -         | 1 | -----      | 2V                   |
|          | 61000-K29-910ZD | *TYPE4*                       | -         | 1 | -----      | V                    |
|          | 61000-K29-910ZE | *TYPE3*                       | -         | 1 | -----      | V                    |
|          | 61000-K29-910ZF | *TYPE2*                       | -         | 1 | -----      | V                    |
|          | 61000-K29-910ZG | *TYPE1*                       | -         | 1 | -----      | V                    |
| 3        | 61200-K29-900ZB | FENDER, R. FR. INNER          | 1         | 1 |            |                      |
|          |                 | *NH411M*FORCE SILVER METALLIC | 1         | 1 |            |                      |
| 4        | 61300-K29-900ZB | FENDER, L. FR. INNER          | 1         | 1 |            |                      |
|          |                 | *NH411M*FORCE SILVER METALLIC | 1         | 1 |            |                      |
| 5        | 90116-KVB-900   | BOLT, FLANGE, 6MM .....       | 3         | 3 |            |                      |
| 6        | 90302-KWW-A00   | NUT, SPRING, 4MM .....        | 4         | 4 |            |                      |
| 7        | 93903-34420     | SCREW, TAPPING, 4X16 .....    | 4         | 4 |            |                      |



| Ref. No. | L.O.N. | (Relative ref. Number) Description | F.R.T. |
|----------|--------|------------------------------------|--------|
| 1        | 4111U8 | COVER, FRONT :RIGHT (4)            | 0.3    |
| 3        | 413122 | COVER, FRONT CENTER                | 0.2    |
| 5        | 413130 | COVER, FRONT LOWER                 | 0.5    |
| 7        | 4111U7 | COVER, FRONT :LEFT                 | 0.3    |
|          | 4111U9 | COVER, FRONT :BOTH (8)             | 0.5    |
| 12       | 411150 | PANEL, INNER                       | 1.4    |

| Ref. No. | Part No.        | Description                   | Reqd. QTY |   | Serial No. | Parts catalogue code |
|----------|-----------------|-------------------------------|-----------|---|------------|----------------------|
|          |                 |                               | ANC125    | F |            |                      |
| 1        | 64301-K29-900ZC | COVER, R. FR. SIDE            | 1         | 1 | -----      | V                    |
|          | *R340C*         | .....CANDY ROSY RED           | 1         | 1 | -----      | V                    |
|          | 64301-K29-900ZE | *PB390M*EXALTED BLUE METALLIC | 1         | 1 | -----      | V                    |
|          | 64301-K29-900ZG | *NHB25M*                      | 1         | 1 | -----      | V                    |
|          |                 | POSEIDON BLACK METALLIC       | 1         | 1 | -----      | V                    |
|          | 64301-K29-900ZJ | *YR320M*                      | 1         | 1 | -----      | V                    |
|          |                 | BRIGHT BRONZE METALLIC        | 1         | 1 | -----      | V                    |
|          | 64301-K29-900ZA | *YR299P*..PEARL EZ SHEEP GOLD | 1         | - | -----      | 2V                   |
|          | 64301-K29-900ZD | *RP192P*..PEARL FABULOUS PINK | 1         | - | -----      | 2V                   |
|          | 64301-K29-900ZF | *NHB35P*..PEARL JASMINE WHITE | 1         | - | -----      | 2V                   |
|          | 64301-K29-900ZH | *B203M*DELICATE BLUE METALLIC | 1         | - | -----      | 2V                   |
|          | 64301-K29-900ZA | *YR299P*..PEARL EZ SHEEP GOLD | -         | 1 | -----      | 2V                   |
|          | 64301-K29-900ZF | *NHB35P*..PEARL JASMINE WHITE | -         | 1 | -----      | 2V                   |
|          | 64301-K29-900ZM | *GY150P*..PEARL CELADON GREEN | -         | 1 | -----      | 2V                   |
| 3        | 64303-K29-900ZA | COVER SET, FR. TOP(WL)        | 1         | - | -----      | V                    |
|          |                 | *TYPE8*                       | 1         | - | -----      | V                    |
|          | 64303-K29-900ZB | *TYPE7*                       | 1         | - | -----      | V                    |
|          | 64303-K29-900ZC | *TYPE6*                       | 1         | - | -----      | V                    |
|          | 64303-K29-900ZD | *TYPE5*                       | 1         | - | -----      | V                    |
|          | 64303-K29-900ZE | *TYPE4*                       | 1         | - | -----      | V                    |
|          | 64303-K29-900ZF | *TYPE3*                       | 1         | - | -----      | V                    |
|          | 64303-K29-900ZG | *TYPE2*                       | 1         | - | -----      | V                    |
|          | 64303-K29-900ZH | *TYPE1*                       | 1         | - | -----      | V                    |
|          | 64303-K29-910ZA | *TYPE7*                       | -         | 1 | -----      | 2V                   |
|          | 64303-K29-910ZB | *TYPE6*                       | -         | 1 | -----      | 2V                   |
|          | 64303-K29-910ZC | *TYPE5*                       | -         | 1 | -----      | 2V                   |
|          | 64303-K29-910ZD | *TYPE4*                       | -         | 1 | -----      | V                    |
|          | 64303-K29-910ZE | *TYPE3*                       | -         | 1 | -----      | V                    |
|          | 64303-K29-910ZF | *TYPE2*                       | -         | 1 | -----      | V                    |





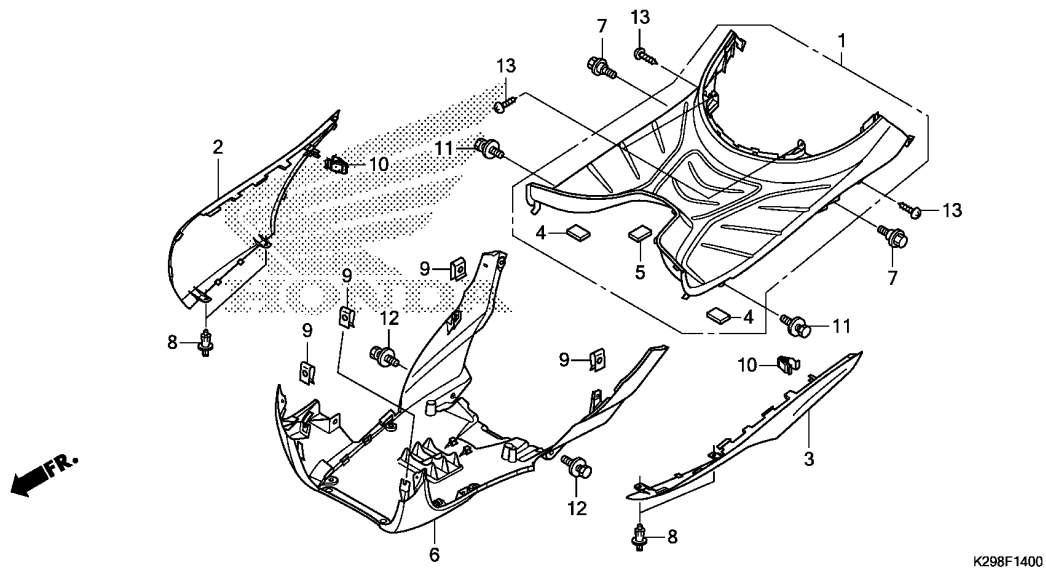
K298F1200C

| Ref. No. | Part No.        | Description                           | Reqd. QTY   |   | Serial No. | Parts catalogue code |
|----------|-----------------|---------------------------------------|-------------|---|------------|----------------------|
|          |                 |                                       | ANC125<br>E | F |            |                      |
| (3)      | 64303-K29-910ZG | COVER SET, FR. TOP(WL)<br>*TYPE1*     | -           | 1 | -----      | V                    |
| 4        | 64305-K29-900   | GARNISH, FR.                          | 1           | - | -----      |                      |
|          | 64305-K29-910   |                                       | -           | 1 | -----      |                      |
| 5        | 64308-K29-900   | COVER, FR. LOWER                      | 1           | 1 | -----      |                      |
| 6        | 64309-K29-900   | STAY, RECEIVER                        | 1           | 1 | -----      |                      |
| 7        | 64401-K29-900ZC | COVER, L. FR. SIDE                    | 1           | 1 | -----      | V                    |
|          | 64401-K29-900ZE | *R340C*.....CANDY ROSY RED            | 1           | 1 | -----      | V                    |
|          | 64401-K29-900ZG | *PB390M*EXALTED BLUE METALLIC         | 1           | 1 | -----      | V                    |
|          | 64401-K29-900ZJ | *NHB25M*<br>POSEIDON BLACK METALLIC   | 1           | 1 | -----      | V                    |
|          | 64401-K29-900ZA | *YR320M*<br>BRIGHT BRONZE METALLIC    | 1           | 1 | -----      | V                    |
|          | 64401-K29-900ZB | *YR299P*..PEARL EZ SHEEP GOLD         | 1           | - | -----      |                      |
|          | 64401-K29-900ZD | *RP192P*..PEARL FABULOUS PINK         | 1           | - | -----      |                      |
|          | 64401-K29-900ZF | *NHB35P*..PEARL JASMINE WHITE         | 1           | - | -----      |                      |
|          | 64401-K29-900ZH | *B203M*DELICATE BLUE METALLIC         | 1           | - | -----      |                      |
|          | 64401-K29-900ZA | *YR299P*..PEARL EZ SHEEP GOLD         | -           | 1 | -----      | 2V                   |
|          | 64401-K29-900ZF | *NHB35P*..PEARL JASMINE WHITE         | -           | 1 | -----      | 2V                   |
|          | 64401-K29-900ZM | *GY150P*..PEARL CELADON GREEN         | -           | 1 | -----      | 2V                   |
| 8        | 81130-K29-900ZA | COVER SET, INNER UPPER(WL)<br>*TYPE8* | 1           | - | -----      |                      |
|          | 81130-K29-900ZB | *TYPE7*                               | 1           | - | -----      |                      |
|          | 81130-K29-900ZC | *TYPE6*                               | 1           | - | -----      |                      |
|          | 81130-K29-900ZD | *TYPE5*                               | 1           | - | -----      |                      |
|          | 81130-K29-900ZE | *TYPE4*                               | 1           | - | -----      |                      |
|          | 81130-K29-900ZF | *TYPE3*                               | 1           | - | -----      |                      |
|          | 81130-K29-900ZG | *TYPE2*                               | 1           | - | -----      |                      |



| Ref. No. | Part No.        | Description                   | Reqd. QTY   |    | Serial No. | Parts catalogue code |
|----------|-----------------|-------------------------------|-------------|----|------------|----------------------|
|          |                 |                               | ANC125<br>E | F  |            |                      |
| (8)      | 81130-K29-900ZH | COVER SET, INNER UPPER(WL)    |             |    |            |                      |
|          |                 | *TYPE1*.....                  | 1           | -  |            |                      |
|          | 81131-K29-900ZA | COVER, INNER UPPER            |             |    |            |                      |
|          |                 | *YR299P*..PEARL EZ SHEEP GOLD | -           | 1  | -----      | 2V                   |
|          | 81131-K29-900ZF | *NHB35P*..PEARL JASMINE WHITE | -           | 1  | -----      | 2V                   |
|          | 81131-K29-900ZM | *GY150P*..PEARL CELADON GREEN | -           | 1  | -----      | 2V                   |
|          | 81131-K29-900ZC | *R340C*.....CANDY ROSY RED    | -           | 1  | -----      | V                    |
|          | 81131-K29-900ZE | *PB390M*EXALTED BLUE METALLIC | -           | 1  | -----      | V                    |
|          | 81131-K29-900ZG | *NHB25M*                      |             |    |            |                      |
|          |                 | POSEIDON BLACK METALLIC       | -           | 1  | -----      | V                    |
|          | 81131-K29-900ZJ | *YR320M*                      |             |    |            |                      |
|          |                 | BRIGHT BRONZE METALLIC        | -           | 1  | -----      | V                    |
| 10       | 81132-KTF-670   | HOOK, LUGGAGE .....           | 1           | 1  |            |                      |
| 12       | 81141-K29-900ZA | COVER, INNER LOWER            |             |    |            |                      |
|          |                 | *YR286R*.....CASTAGNA BROWN R | 1           | 1  |            |                      |
|          | 81141-K29-900ZC | *NH1*.....BLACK               | 1           | 1  |            |                      |
|          | 81141-K29-900ZB | *R349R*.....MAPLE LEAF RED R  | 1           | -  |            |                      |
| 13       | 90116-SP0-003   | CLIP, BUMPER SEAL .....       | 4           | 4  |            |                      |
| 14       | 90302-KWW-A00   | NUT, SPRING, 4MM .....        | 8           | 8  |            |                      |
| 15       | 90601-PV3-003   | CLIP, AIR INTAKE DUCT PUSH .. | 1           | 1  |            |                      |
| 16       | 90601-SJA-003   | CLIP, SNAP FITTING .....      | 12          | 12 |            |                      |
| 17       | 93404-06012-00  | BOLT-WASHER, 6X12 .....       | 4           | 4  |            |                      |
| 18       | 93500-04012-0G  | SCREW, PAN, 4X12 .....        | 2           | 2  |            |                      |
| 19       | 93903-34480     | SCREW, TAPPING, 4X16 .....    | 17          | 17 |            |                      |
| 20       | 93903-35320     | SCREW, TAPPING, 5X16 .....    | 1           | 1  |            |                      |
| 21       | 81136-KTF-670   | PIN, HOOK .....               | 1           | 1  |            |                      |
| 22       | 81137-KTF-670   | SPRING, HOOK .....            | 1           | 1  |            |                      |
| 23       | 81138-KTF-670   | CIRCLIP, .....                | 1           | 1  |            |                      |

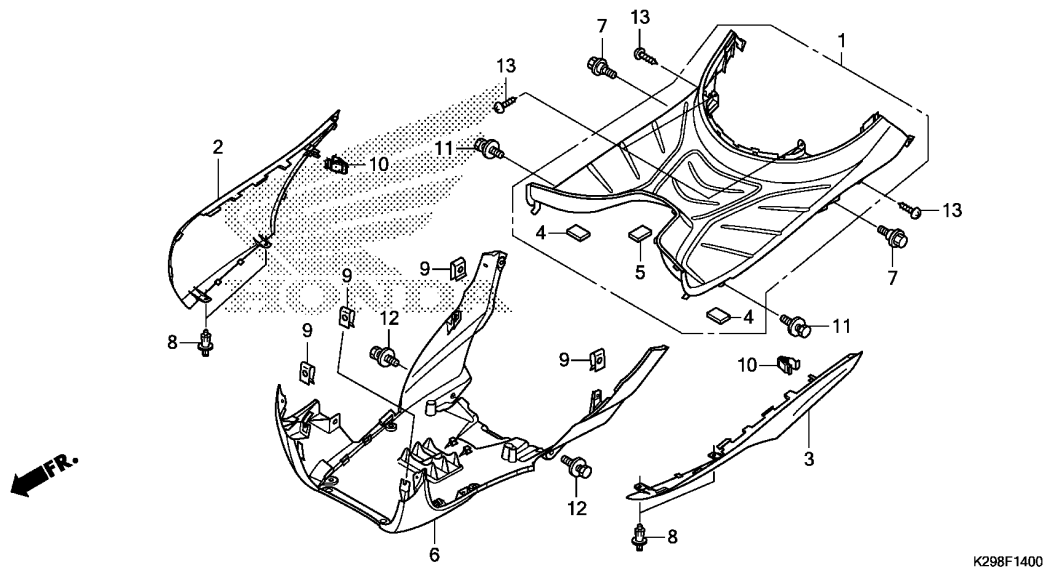




| Ref. No. | L.O.N. | (Relative ref. Number) Description | F.R.T. |
|----------|--------|------------------------------------|--------|
| 1        | 4131D2 | STEP, FLOOR .....                  | 0.8    |
| 2        | 4131J6 | COVER, FLOOR SIDE :RIGHT .....     | 0.1    |
| 3        | 4131J5 | COVER, FLOOR SIDE :LEFT .....      | 0.1    |
|          | 4131X0 | COVER, FLOOR SIDE :BOTH .....      | 0.1    |
| 6        | 411145 | COWL :UNDER .....                  | 1.2    |

3

| Ref. No. | Part No.        | Description                         | Reqd. QTY |   | Serial No. | Parts catalogue code |
|----------|-----------------|-------------------------------------|-----------|---|------------|----------------------|
|          |                 |                                     | ANC125    | F |            |                      |
| 1        | 64315-K29-900ZA | STEP ASSY., FLOOR                   |           |   |            |                      |
|          |                 | *YR286R*.....CASTAGNA BROWN R       | 1         | 1 |            |                      |
|          | 64315-K29-900ZC | *NH1*.....BLACK                     | 1         | 1 |            |                      |
|          | 64315-K29-900ZB | *R349R*.....MAPLE LEAF RED R        | 1         | - |            |                      |
| 2        | 64321-K29-900ZC | COVER, R. FLOOR                     |           |   |            |                      |
|          |                 | *R340C*.....CANDY ROSY RED          | 1         | 1 | -----      | V                    |
|          | 64321-K29-900ZE | *PB390M*EXALTED BLUE METALLIC       | 1         | 1 | -----      | V                    |
|          | 64321-K29-900ZG | *NHB25M*<br>POSEIDON BLACK METALLIC | 1         | 1 | -----      | V                    |
|          | 64321-K29-900ZJ | *YR320M*<br>BRIGHT BRONZE METALLIC  | 1         | 1 | -----      | V                    |
|          | 64321-K29-900ZA | *YR299P*..PEARL EZ SHEEP GOLD       | 1         | - |            |                      |
|          | 64321-K29-900ZD | *RP192P*..PEARL FABULOUS PINK       | 1         | - |            |                      |
|          | 64321-K29-900ZF | *NHB35P*..PEARL JASMINE WHITE       | 1         | - |            |                      |
|          | 64321-K29-900ZH | *B203M*DELICATE BLUE METALLIC       | 1         | - |            |                      |
|          | 64321-K29-900ZA | *YR299P*..PEARL EZ SHEEP GOLD       | -         | 1 | -----      | 2V                   |
|          | 64321-K29-900ZF | *NHB35P*..PEARL JASMINE WHITE       | -         | 1 | -----      | 2V                   |
|          | 64321-K29-900ZM | *GY150P*..PEARL CELADON GREEN       | -         | 1 | -----      | 2V                   |
| 3        | 64322-K29-900ZC | COVER, L. FLOOR                     |           |   |            |                      |
|          |                 | *R340C*.....CANDY ROSY RED          | 1         | 1 | -----      | V                    |
|          | 64322-K29-900ZE | *PB390M*EXALTED BLUE METALLIC       | 1         | 1 | -----      | V                    |
|          | 64322-K29-900ZG | *NHB25M*<br>POSEIDON BLACK METALLIC | 1         | 1 | -----      | V                    |
|          | 64322-K29-900ZJ | *YR320M*<br>BRIGHT BRONZE METALLIC  | 1         | 1 | -----      | V                    |
|          | 64322-K29-900ZA | *YR299P*..PEARL EZ SHEEP GOLD       | 1         | - |            |                      |
|          | 64322-K29-900ZD | *RP192P*..PEARL FABULOUS PINK       | 1         | - |            |                      |
|          | 64322-K29-900ZF | *NHB35P*..PEARL JASMINE WHITE       | 1         | - |            |                      |
|          | 64322-K29-900ZH | *B203M*DELICATE BLUE METALLIC       | 1         | - |            |                      |

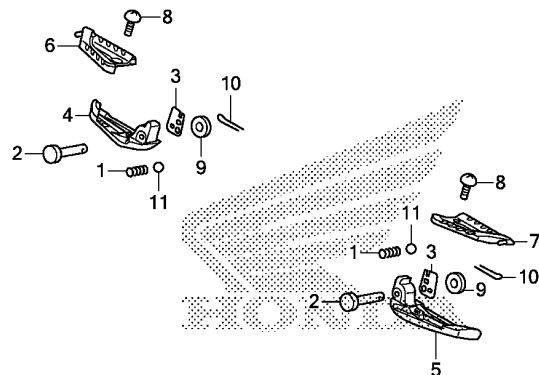


| Ref. No. | Part No.        | Description                   | Reqd. QTY |     | Serial No. | Parts catalogue code |
|----------|-----------------|-------------------------------|-----------|-----|------------|----------------------|
|          |                 |                               | ANC125    | E F |            |                      |
| (3)      | 64322-K29-900ZA | COVER, L. FLOOR               | -         | 1   | -----      | 2V                   |
|          |                 | *YR299P*..PEARL EZ SHEEP GOLD | -         | 1   | -----      | 2V                   |
|          | 64322-K29-900ZF | *NHB35P*..PEARL JASMINE WHITE | -         | 1   | -----      | 2V                   |
|          | 64322-K29-900ZM | *GY150P*..PEARL CELADON GREEN | -         | 1   | -----      | 2V                   |
| 4        | 64323-K29-900   | MAT A, FLOOR STEP .....       | 2         | 2   |            |                      |
| 5        | 64324-K29-900   | MAT B, FLOOR STEP .....       | 1         | 1   |            |                      |
| 6        | 64340-K29-900ZA | COVER, UNDER                  | 1         | 1   |            |                      |
|          |                 | *YR286R*.....CASTAGNA BROWN R | 1         | 1   |            |                      |
|          | 64340-K29-900ZC | *NH1*.....BLACK               | 1         | 1   |            |                      |
|          | 64340-K29-900ZB | *R349R*.....MAPLE LEAF RED R  | 1         | -   |            |                      |
| 7        | 90111-KPL-900   | BOLT, INNER COVER .....       | 2         | 2   |            |                      |
| 8        | 90116-SP0-003   | CLIP, BUMPER SEAL .....       | 4         | 4   |            |                      |
| 9        | 90302-KWW-A00   | NUT, SPRING, 4MM .....        | 4         | 4   |            |                      |
| 10       | 90601-SJA-003   | CLIP, SNAP FITTING .....      | 2         | 2   |            |                      |
| 11       | 93404-06012-00  | BOLT-WASHER, 6X12 .....       | 2         | 2   |            |                      |
| 12       | 93404-06012-07  | BOLT-WASHER, 6X12 .....       | 2         | 2   |            |                      |
| 13       | 93903-34480     | SCREW, TAPPING, 4X16 .....    | 4         | 4   |            |                      |

**F-14-10**

**PILLION STEP**

**G 1**



K298F1410

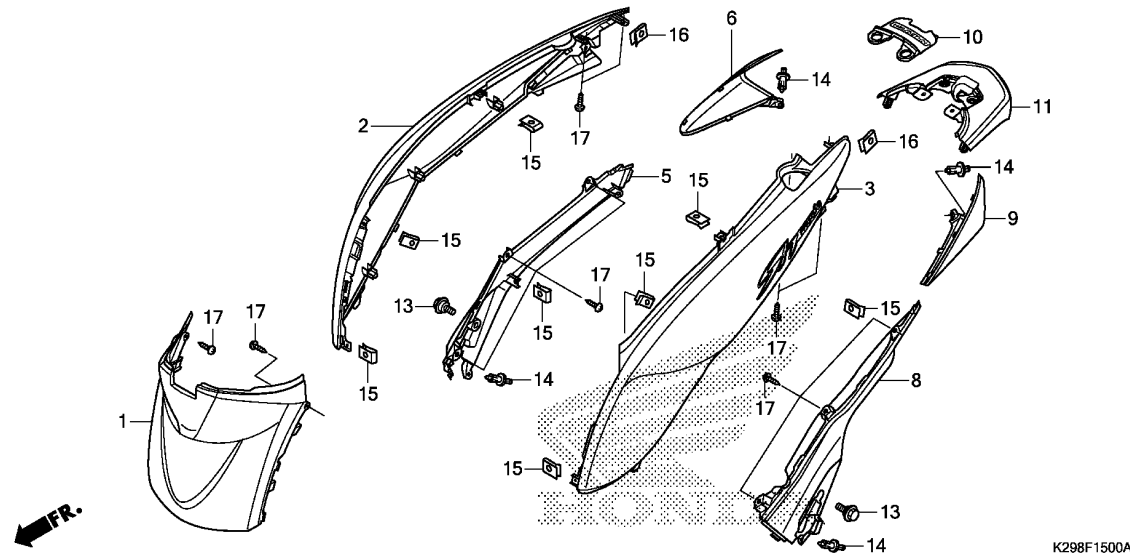
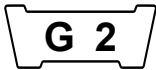
| Ref. No. | L.O.N. | (Relative ref. Number) Description | F.R.T. |
|----------|--------|------------------------------------|--------|
| 4        | 4101C8 | BAR, PILLION STEP :RIGHT .....     | 0.7    |
| 5        | 4101C7 | BAR, PILLION STEP :LEFT .....      | 0.7    |
|          | 4101P4 | BAR, PILLION STEP :BOTH .....      | 0.8    |

**3**

| Ref. No. | Part No.      | Description                   | Reqd. QTY |   | Serial No. | Parts catalogue code |
|----------|---------------|-------------------------------|-----------|---|------------|----------------------|
|          |               |                               | ANC125    | F |            |                      |
| 1        | 28333-300-000 | SPRING, KICK STARTER STOPPER  | 2         | 2 |            |                      |
| 2        | 50714-K29-900 | PIN, PILLION STEP .....       | 2         | 2 |            |                      |
| 3        | 50718-K29-900 | PLATE, PILLION STEP CLICK ... | 2         | 2 |            |                      |
| 4        | 50730-K01-900 | ARM, R. PILLION STEP .....    | 1         | 1 |            |                      |
| 5        | 50740-K01-900 | ARM, L. PILLION STEP .....    | 1         | 1 |            |                      |
| 6        | 83430-K29-900 | COVER, R. PILLION STEP ARM .. | 1         | 1 |            |                      |
| 7        | 83440-K29-900 | COVER, L. PILLION STEP ARM .. | 1         | 1 |            |                      |
| 8        | 90109-K01-900 | SCREW, TRUSS, 5X6 .....       | 2         | 2 |            |                      |
| 9        | 94101-06000   | WASHER, PLAIN, 6MM .....      | 2         | 2 |            |                      |
| 10       | 94201-16120   | PIN, SPLIT, 1.6X12 .....      | 2         | 2 |            |                      |
| 11       | 96211-08000   | BALL, STEEL, #8(1/4) .....    | 2         | 2 |            |                      |

**F-15**

**BODY COVER**

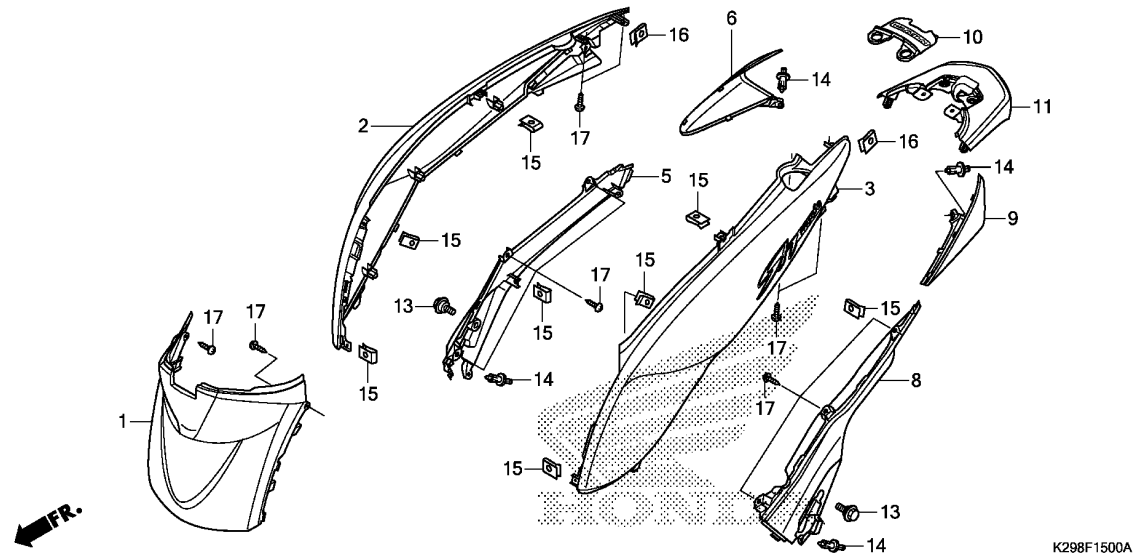


K298F1500A

| Ref. No. | L.O.N. | (Relative ref. Number) Description | F.R.T. |
|----------|--------|------------------------------------|--------|
| 1        | 4131R6 | COVER, BODY :CENTER .....          | 0.2    |
| 2        |        | (5)                                |        |
| 3        | 4131J0 | COVER, BODY :RIGHT .....           | 0.7    |
| 3        |        | (8)                                |        |
|          | 4131H9 | COVER, BODY :LEFT .....            | 0.7    |
|          | 4131J1 | COVER, BODY :BOTH .....            | 0.8    |
| 6        | 6161Z8 | COVER, REAR WINKER :RIGHT ....     | 0.1    |
| 9        | 6161Z7 | COVER, REAR WINKER :LEFT .....     | 0.1    |
|          | 6161Z9 | COVER, REAR WINKER :BOTH .....     | 0.2    |
| 10       | 4131J8 | COVER, REAR CENTER .....           | 0.1    |
| 11       | 4131J2 | COVER, BODY :REAR .....            | 0.7    |

| Ref. No. | Part No.        | Description                   | Reqd. QTY |   | Serial No. | Parts catalogue code |
|----------|-----------------|-------------------------------|-----------|---|------------|----------------------|
|          |                 |                               | ANC125    | F |            |                      |
| 1        | 80151-K29-900ZA | COVER, CENTER                 |           |   |            |                      |
|          |                 | *YR286R*.....CASTAGNA BROWN R | 1         | 1 |            |                      |
|          | 80151-K29-900ZC | *NH1*.....BLACK               | 1         | 1 |            |                      |
|          | 80151-K29-900ZB | *R349R*.....MAPLE LEAF RED R  | 1         | - |            |                      |
| 2        | 83200-K29-900ZA | COVER SET, R. BODY(WL)        |           |   |            |                      |
|          |                 | *YR299P*..PEARL EZ SHEEP GOLD | 1         | - |            |                      |
|          | 83200-K29-900ZC | *R340C*.....CANDY ROSY RED    | 1         | - |            |                      |
|          | 83200-K29-900ZD | *RP192P*..PEARL FABULOUS PINK | 1         | - |            |                      |
|          | 83200-K29-900ZE | *PB390M*EXALTED BLUE METALLIC | 1         | - |            |                      |
|          | 83200-K29-900ZF | *NHB35P*..PEARL JASMINE WHITE | 1         | - |            |                      |
|          | 83200-K29-900ZG | *NHB25M*                      |           |   |            |                      |
|          |                 | POSEIDON BLACK METALLIC       | 1         | - |            |                      |
|          | 83200-K29-900ZH | *B203M*DELICATE BLUE METALLIC | 1         | - |            |                      |
|          | 83200-K29-900ZJ | *YR320M*                      |           |   |            |                      |
|          |                 | BRIGHT BRONZE METALLIC        | 1         | - |            |                      |
|          | 83200-K29-910ZA | *TYPE7*.....                  | -         | 1 | ----- 2V   |                      |
|          | 83200-K29-910ZB | *TYPE6*.....                  | -         | 1 | ----- 2V   |                      |
|          | 83200-K29-910ZC | *TYPE5*.....                  | -         | 1 | ----- 2V   |                      |
|          | 83200-K29-910ZD | *TYPE4*.....                  | -         | 1 | ----- V    |                      |
|          | 83200-K29-910ZE | *TYPE3*.....                  | -         | 1 | ----- V    |                      |
|          | 83200-K29-910ZF | *TYPE2*.....                  | -         | 1 | ----- V    |                      |
|          | 83200-K29-910ZG | *TYPE1*.....                  | -         | 1 | ----- V    |                      |
| 3        | 83300-K29-900ZA | COVER SET, L. BODY(WL)        |           |   |            |                      |
|          |                 | *YR299P*..PEARL EZ SHEEP GOLD | 1         | - |            |                      |
|          | 83300-K29-900ZC | *R340C*.....CANDY ROSY RED    | 1         | - |            |                      |
|          | 83300-K29-900ZD | *RP192P*..PEARL FABULOUS PINK | 1         | - |            |                      |
|          | 83300-K29-900ZE | *PB390M*EXALTED BLUE METALLIC | 1         | - |            |                      |
|          | 83300-K29-900ZF | *NHB35P*..PEARL JASMINE WHITE | 1         | - |            |                      |

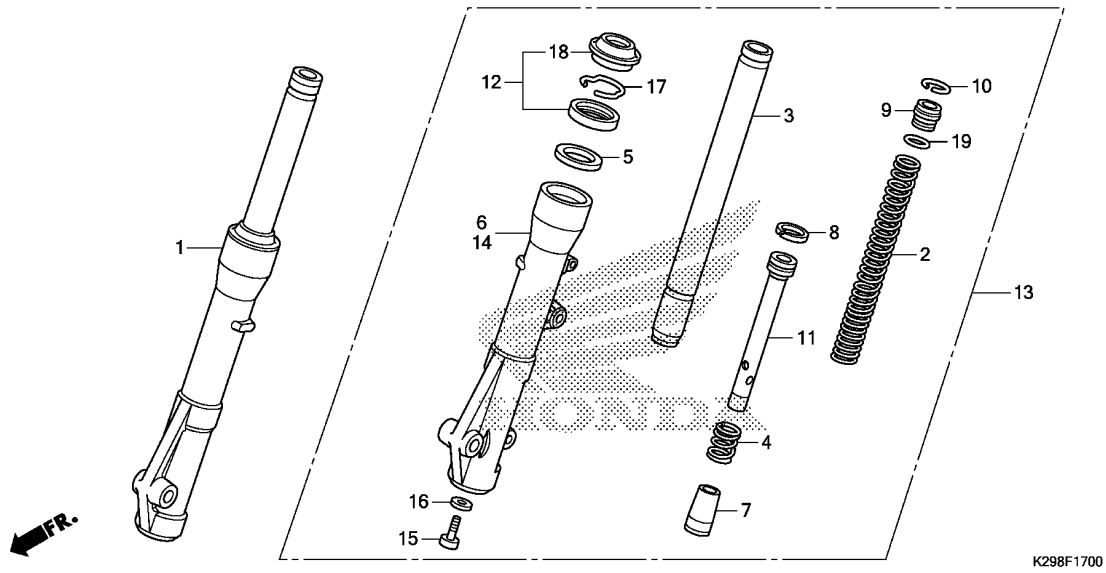




| Ref. No. | Part No.        | Description   | Reqd. QTY |   | Serial No. | Parts catalogue code |
|----------|-----------------|---|-----------|---|------------|----------------------|
|          |                 |   | ANC125    | F |            |                      |
| (3)      | 83300-K29-900ZG | COVER SET, L. BODY(WL)<br>*NHB25M*                    |           |   |            |                      |
|          |                 | POSEIDON BLACK METALLIC                               | 1         | - |            |                      |
|          | 83300-K29-900ZH | *B203M*DELICATE BLUE METALLIC                         | 1         | - |            |                      |
|          | 83300-K29-900ZJ | *YR320M*  |           |   |            |                      |
|          |                 | BRIGHT BRONZE METALLIC                                | 1         | - |            |                      |
|          | 83300-K29-910ZA | *TYPE7*   | -         | 1 | -----      | 2V                   |
|          | 83300-K29-910ZB | *TYPE6*   | -         | 1 | -----      | 2V                   |
|          | 83300-K29-910ZC | *TYPE5*   | -         | 1 | -----      | 2V                   |
|          | 83300-K29-910ZD | *TYPE4*   | -         | 1 | -----      | V                    |
|          | 83300-K29-910ZE | *TYPE3*   | -         | 1 | -----      | V                    |
|          | 83300-K29-910ZF | *TYPE2*   | -         | 1 | -----      | V                    |
|          | 83300-K29-910ZG | *TYPE1*   | -         | 1 | -----      | V                    |
| 5        | 83520-K29-900ZA | COVER, R. BODY LOWER<br>*YR286R*.....CASTAGNA BROWN R | 1         | 1 |            |                      |
|          | 83520-K29-900ZC | *NH1*.....BLACK                                       | 1         | 1 |            |                      |
|          | 83520-K29-900ZB | *R349R*.....MAPLE LEAF RED R                          | 1         | - |            |                      |
| 6        | 83530-K29-900   | COVER, R. RR. WINKER                                  | 1         | 1 |            |                      |
| 8        | 83620-K29-900ZA | COVER, L. BODY LOWER<br>*YR286R*.....CASTAGNA BROWN R | 1         | 1 |            |                      |
|          | 83620-K29-900ZC | *NH1*.....BLACK                                       | 1         | 1 |            |                      |
|          | 83620-K29-900ZB | *R349R*.....MAPLE LEAF RED R                          | 1         | - |            |                      |
| 9        | 83630-K29-900   | COVER, L. RR. WINKER                                  | 1         | 1 |            |                      |
| 10       | 83700-K29-900ZA | COVER B SET, RR. CENTER(WL)<br>*TYPE8*                | 1         | - |            |                      |
|          | 83700-K29-900ZB | *TYPE7*   | 1         | - |            |                      |
|          | 83700-K29-900ZC | *TYPE6*   | 1         | - |            |                      |
|          | 83700-K29-900ZD | *TYPE5*   | 1         | - |            |                      |

| Ref. No. | Part No.        | Description                   | Reqd. QTY   |    | Serial No. | Parts catalogue code |
|----------|-----------------|-------------------------------|-------------|----|------------|----------------------|
|          |                 |                               | ANC125<br>E | F  |            |                      |
| 10)      | 83700-K29-900ZE | COVER B SET, RR. CENTER(WL)   |             |    |            |                      |
|          |                 | *TYPE4*                       | 1           | -  |            |                      |
|          | 83700-K29-900ZF | *TYPE3*                       | 1           | -  |            |                      |
|          | 83700-K29-900ZG | *TYPE2*                       | 1           | -  |            |                      |
|          | 83700-K29-900ZH | *TYPE1*                       | 1           | -  |            |                      |
|          | 83760-K29-900ZA | COVER B, RR. CENTER           |             |    |            |                      |
|          |                 | *YR299P*..PEARL EZ SHEEP GOLD | -           | 1  | -----      | 2V                   |
|          | 83760-K29-900ZF | *NHB35P*..PEARL JASMINE WHITE | -           | 1  | -----      | 2V                   |
|          | 83760-K29-900ZL | *GY150P*..PEARL CELADON GREEN | -           | 1  | -----      | 2V                   |
|          | 83760-K29-900ZC | *R340C*.....CANDY ROSY RED    | -           | 1  | -----      | V                    |
|          | 83760-K29-900ZE | *PB390M*EXALTED BLUE METALLIC | -           | 1  | -----      | V                    |
|          | 83760-K29-900ZG | *NHB25M*                      |             |    |            |                      |
|          |                 | POSEIDON BLACK METALLIC       | -           | 1  | -----      | V                    |
|          | 83760-K29-900ZJ | *YR320M*                      |             |    |            |                      |
|          |                 | BRIGHT BRONZE METALLIC        | -           | 1  | -----      | V                    |
| 11       | 83750-K29-900ZC | COVER A, RR. CENTER           |             |    |            |                      |
|          |                 | *R340C*.....CANDY ROSY RED    | 1           | 1  | -----      | V                    |
|          | 83750-K29-900ZE | *PB390M*EXALTED BLUE METALLIC | 1           | 1  | -----      | V                    |
|          | 83750-K29-900ZG | *NHB25M*                      |             |    |            |                      |
|          |                 | POSEIDON BLACK METALLIC       | 1           | 1  | -----      | V                    |
|          | 83750-K29-900ZJ | *YR320M*                      |             |    |            |                      |
|          |                 | BRIGHT BRONZE METALLIC        | 1           | 1  | -----      | V                    |
|          | 83750-K29-900ZA | *YR299P*..PEARL EZ SHEEP GOLD | 1           | -  |            |                      |
|          | 83750-K29-900ZD | *RP192P*..PEARL FABULOUS PINK | 1           | -  |            |                      |
|          | 83750-K29-900ZF | *NHB35P*..PEARL JASMINE WHITE | 1           | -  |            |                      |
|          | 83750-K29-900ZH | *B203M*DELICATE BLUE METALLIC | 1           | -  |            |                      |
|          | 83750-K29-900ZA | *YR299P*..PEARL EZ SHEEP GOLD | -           | 1  | -----      | 2V                   |
|          | 83750-K29-900ZF | *NHB35P*..PEARL JASMINE WHITE | -           | 1  | -----      | 2V                   |
|          | 83750-K29-900ZM | *GY150P*..PEARL CELADON GREEN | -           | 1  | -----      | 2V                   |
| 13       | 90111-162-000   | BOLT, FLANGE, 6MM             | 2           | 2  |            |                      |
| 14       | 90116-SP0-003   | CLIP, BUMPER SEAL             | 4           | 4  |            |                      |
| 15       | 90302-KWW-A00   | NUT, SPRING, 4MM              | 8           | 8  |            |                      |
| 16       | 90677-KAN-T00   | NUT, CLIP, 5MM                | 2           | 2  |            |                      |
| 17       | 93903-34480     | SCREW, TAPPING, 4X16          | 12          | 12 |            |                      |





| Ref. No. | L.O.N. | (Relative ref. Number) Description | F.R.T. |
|----------|--------|------------------------------------|--------|
| 1        | 5111C3 | FORK ASSY., FRONT :RIGHT           | 0.4    |
| 2        | 5111C5 | SPRING, FRONT FORK :LEFT           | 0.6    |
|          | 5111C6 | SPRING, FRONT FORK :RIGHT          | 0.6    |
|          | 5111C7 | SPRING, FRONT FORK :BOTH           | 0.9    |
| 3        |        | (4,7,8,11)                         |        |
|          | 5111G2 | PIPE, FRONT FORK :LEFT             | 0.8    |
|          | 5111G3 | PIPE, FRONT FORK :RIGHT            | 0.8    |
|          | 5111G4 | PIPE, FRONT FORK :BOTH             | 1.3    |
| 6        | 5111D2 | CASE, BOTTOM :RIGHT                | 0.9    |
| 12       | 5111E7 | SEAL SET, FRONT FORK :LEFT         | 0.9    |
|          | 5111E8 | SEAL SET, FRONT FORK :RIGHT        | 0.9    |
|          | 5111E9 | SEAL SET, FRONT FORK :BOTH         | 1.5    |
| 13       | 5111C2 | FORK ASSY., FRONT :LEFT            | 0.4    |
|          | 5111C4 | FORK ASSY., FRONT :BOTH            | 0.5    |
| 14       | 5111D1 | CASE, BOTTOM :LEFT                 | 0.9    |
|          | 5111D3 | CASE, BOTTOM :BOTH                 | 1.5    |

K298F1700

3

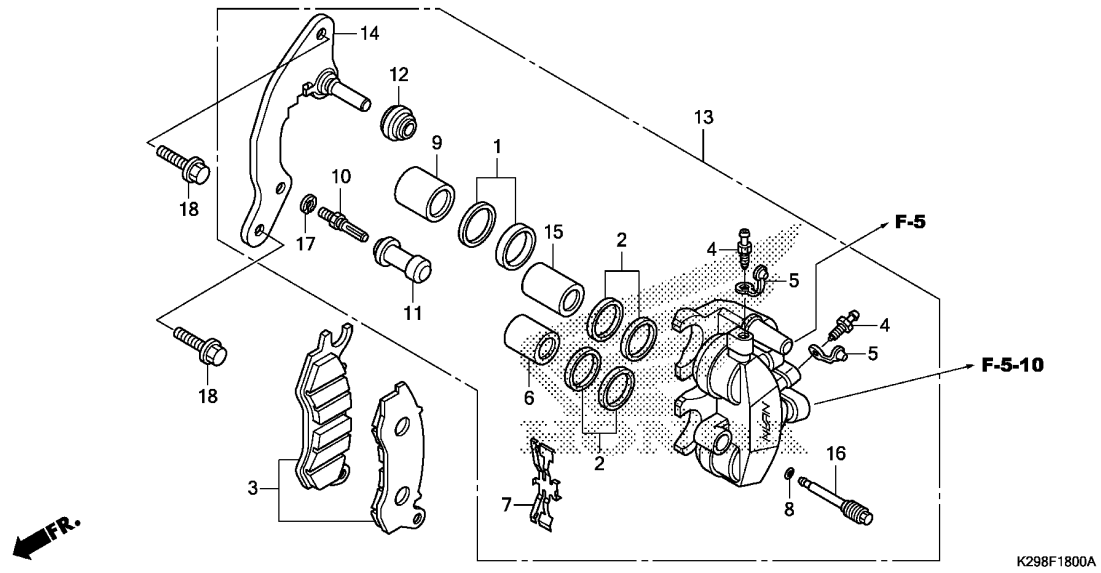
| Ref. No. | Part No.      | Description                       | Reqd. QTY |   | Serial No. | Parts catalogue code |
|----------|---------------|-----------------------------------|-----------|---|------------|----------------------|
|          |               |                                   | ANC125    | F |            |                      |
| 1        | 51400-K29-901 | FORK ASSY., R. FR. (SHOWA)        | 1         | 1 |            |                      |
| 2        | 51401-KWN-711 | SPRING, FR. FORK                  | 2         | 2 |            |                      |
| 3        | 51410-KWN-711 | PIPE COMP., FR. FORK              | 2         | 2 |            |                      |
| 4        | 51412-GC4-003 | SPRING, FR. CUSHION REBOUND       | 2         | 2 |            |                      |
| 5        | 51412-KK4-003 | RING, BACK UP                     | 2         | 2 |            |                      |
| 6        | 51420-K29-901 | CASE COMP., R. FR. BOTTOM (SHOWA) | 1         | 1 |            |                      |
| 7        | 51432-KM7-910 | PIECE, OIL LOCK                   | 2         | 2 |            |                      |
| 8        | 51437-GS3-003 | RING, PISTON                      | 2         | 2 |            |                      |
| 9        | 51454-KWN-711 | SEAT, SPRING UPPER                | 2         | 2 |            |                      |
| 10       | 51456-355-003 | RING, STOPPER (SHOWA)             | 2         | 2 |            |                      |
| 11       | 51470-KWN-901 | PIPE, SEAT                        | 2         | 2 |            |                      |
| 12       | 51490-KRM-852 | SEAL SET, FR. FORK                | 2         | 2 |            |                      |
| 13       | 51500-K29-901 | FORK ASSY., L. FR. (SHOWA)        | 1         | 1 |            |                      |
| 14       | 51520-K29-901 | CASE COMP., L. FR. BOTTOM (SHOWA) | 1         | 1 |            |                      |
| 15       | 90116-383-721 | BOLT, SOCKET, 8X27                | 2         | 2 |            |                      |
| 16       | 90544-283-000 | WASHER, SPECIAL, 8MM (SHOWA)      | 2         | 2 |            |                      |
| 17       | 90601-354-000 | RING, OIL SEAL STOP               | 2         | 2 |            |                      |
| 18       | 91254-GAA-003 | SEAL, DUST                        | 2         | 2 |            |                      |
| 19       | 91356-GBB-003 | O-RING                            | 2         | 2 |            |                      |



# F-18

# FRONT BRAKE CALIPER

**G 6**



| Ref. No. | L.O.N. | (Relative ref. Number) Description  | F.R.T. |
|----------|--------|---|--------|
| 3        | 711115 | SHOE(PAD) SET, BRAKE :FRONT .. (1,2,9,15)   | 0.1    |
| 6        | 7111D1 | PISTON, FRONT BRAKE CALIPER .. .INCLUDES: Bleed brakes .NOTE: Same time for two units or more | 1.3    |
| 13       | 7111B5 | CALIPER, FRONT BRAKE :LEFT ... .INCLUDES: Bleed brakes  | 1.1    |
| 14       | 7111G0 | BRACKET, FRONT CALIPER .....  | 0.2    |

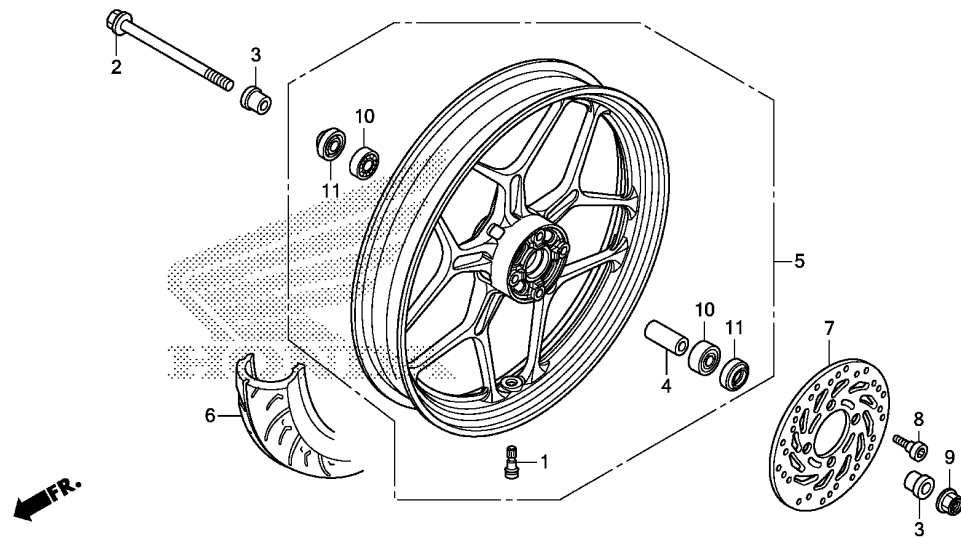
| Ref. No. | Part No.      | Description                        | Reqd. QTY |   | Serial No. | Parts catalogue code |
|----------|---------------|------------------------------------|-----------|---|------------|----------------------|
|          |               |                                    | ANC125    | F |            |                      |
| 1        | 06451-GE2-405 | SEAL SET, PISTON .....             | 1         | 1 |            |                      |
| 2        | 06451-MZ2-405 | SEAL SET, PISTON .....             | 2         | 2 |            |                      |
| 3        | 06455-K20-911 | PAD SET, FR. ....                  | 1         | 1 |            |                      |
| 4        | 43352-568-003 | SCREW, BLEEDER(NISSIN) .....       | 2         | 2 |            |                      |
| 5        | 43353-461-771 | CAP, BLEEDER .....                 | 2         | 2 |            |                      |
| 6        | 45107-MAJ-G41 | PISTON A, 22X27 .....              | 1         | 1 |            |                      |
| 7        | 45108-KWN-931 | SPRING, PAD .....                  | 1         | 1 |            |                      |
| 8        | 45111-MAJ-G41 | RING, STOPPER .....                | 1         | 1 |            |                      |
| 9        | 45117-MAJ-G41 | PISTON A, 25X27 .....              | 1         | 1 |            |                      |
| 10       | 45131-GZ0-006 | BOLT, PIN .....                    | 1         | 1 |            |                      |
| 11       | 45132-166-016 | BOOT, PIN BUSH(NISSIN) .....       | 1         | 1 |            |                      |
| 12       | 45133-MA3-006 | BOOT B .....                       | 1         | 1 |            |                      |
| 13       | 45150-K29-901 | CALIPER SUB ASSY., L. FR. (NISSIN) | 1         | - |            |                      |
|          | 45150-K29-902 | .....                              | -         | 1 |            |                      |
| 14       | 45190-KWN-931 | BRACKET SUB ASSY., L. FR. ....     | 1         | 1 |            |                      |
| 15       | 45207-MAJ-G41 | PISTON B, 22X35 .....              | 1         | 1 |            |                      |
| 16       | 45215-KPH-951 | PIN, HANGER .....                  | 1         | 1 |            |                      |
| 17       | 45216-166-006 | WASHER, WAVE .....                 | 1         | 1 |            |                      |
| 18       | 90131-KWN-900 | BOLT, FLANGE, 8X28 .....           | 2         | 2 |            |                      |

**3**

# F-20-20

# FRONT WHEEL

G 7



| Ref. No. | L.O.N.  | (Relative ref. Number) Description | F.R.T. |
|----------|---------|------------------------------------|--------|
| 2        |         | (11)                               |        |
| 2        | 710151  | AXLE, FRONT WHEEL .....            | 0.2    |
| 5        | 7101D4  | FRONT WHEEL .....                  | 0.6    |
| 6        | 710139  | FRONT TIRE(ONE) .....              | 0.5    |
| 7        | 711120  | DISC, FRONT BRAKE .....            | 0.3    |
| 10       | 710115  | BEARING, FRONT WHEEL(ONE) ....     | 0.4    |
|          | 710115G | .ReplacE 1 bearing add .....       | 0.1    |

K298F2020

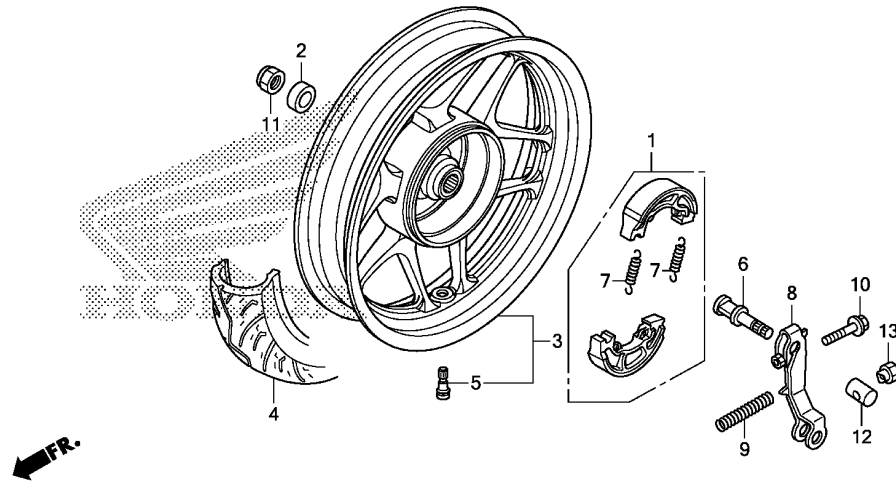
3

| Ref. No. | Part No.        | Description                    | Reqd. QTY |   | Serial No. | Parts catalogue code |
|----------|-----------------|--------------------------------|-----------|---|------------|----------------------|
|          |                 |                                | ANC125    | F |            |                      |
| 1        | 42753-K12-901   | VALVE, RIM(CST) .....          | 1         | 1 |            |                      |
| 2        | 44301-KWW-640   | AXLE, FR. WHEEL .....          | 1         | 1 |            |                      |
| 3        | 44311-KWN-900   | COLLAR, FR. WHEEL SIDE .....   | 2         | 2 |            |                      |
| 4        | 44620-KPH-950   | COLLAR, FR. AXLE DISTANCE ...  | 1         | 1 |            |                      |
| 5        | 44650-K29-900ZA | WHEEL SUB ASSY., FR.           |           |   |            |                      |
|          |                 | *NH146M*                       |           |   |            |                      |
|          |                 | ACCURATE SILVER METALLIC       | 1         | - |            |                      |
|          | 44650-K29-910ZA | *NH146M*                       |           |   |            |                      |
|          |                 | ACCURATE SILVER METALLIC       | -         | 1 |            |                      |
| 6        | 44711-K29-D01   | TIRE, FR.(CST)                 |           |   |            |                      |
|          |                 | (80/90-16 M/C 43P)             | 1         | 1 |            |                      |
| 7        | 45351-KVG-951   | DISK, FR. BRAKE(NISSIN) .....  | 1         | 1 |            |                      |
| 8        | 90105-KGH-900   | BOLT, BRAKE DISK, 8X24 .....   | 4         | 4 |            |                      |
| 9        | 90306-KGH-901   | NUT, U, 12MM(FUJI SEIMITSU) -  | 1         | 1 |            |                      |
| 10       | 91052-KVB-901   | BEARING, RADIAL BALL, 6201U    |           |   |            |                      |
|          |                 | (FUJIKOSHI)                    | 2         | - |            |                      |
|          | 91052-KVB-902   | BEARING, RADIAL BALL, 6201(U)  |           |   |            |                      |
|          |                 | (NTN)                          | 2         | - |            |                      |
|          | 91052-KVB-S51   | BEARING, RADIAL BALL, 6201U    |           |   |            |                      |
|          |                 | (NSK)                          | 2         | - |            |                      |
|          | 91052-K24-902   | BEARING, RADIAL BALL(6201U L)  |           |   |            |                      |
|          |                 | (NTN)                          | -         | 2 |            |                      |
| 11       | 91251-KPH-901   | DUST SEAL, 21X37X7(ARAI) ..... | 2         | 2 |            |                      |

# F-22-10

# REAR WHEEL

**G 8**

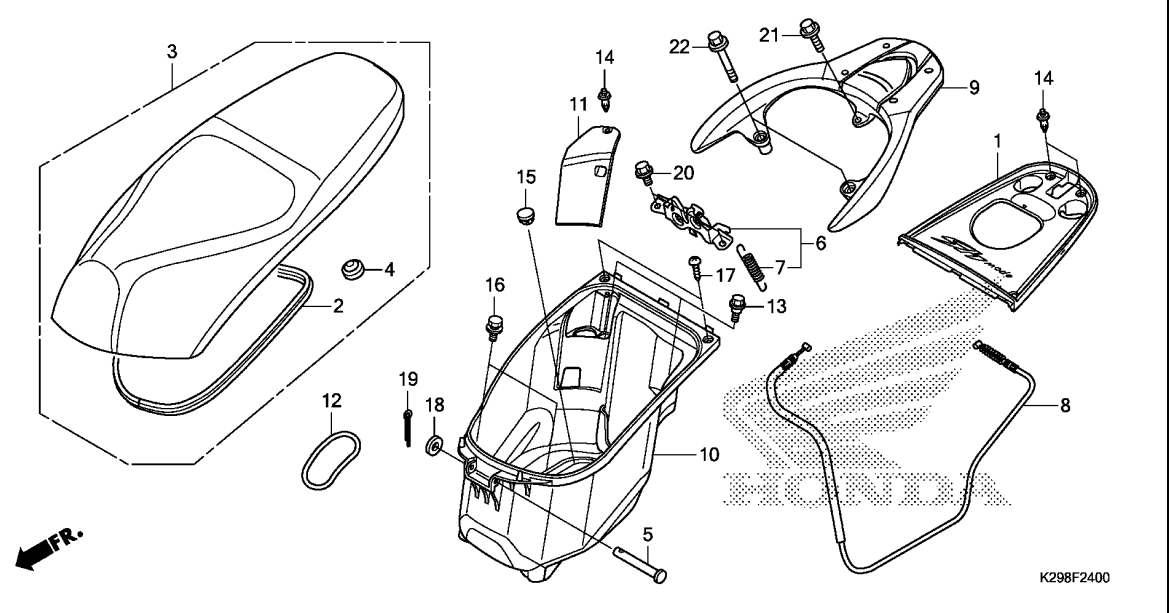


K298F2210

| Ref. No. | L.O.N. | (Relative ref. Number) Description | F.R.T. |
|----------|--------|------------------------------------|--------|
| 1        | 711140 | SHOE(PAD) SET, BRAKE :REAR ...     | 0.4    |
| 3        | 710118 | REAR WHEEL .....                   | 0.6    |
| 4        | 710142 | REAR TIRE(ONE) .....               | 0.6    |
| 6        | 7111B4 | CAM, BRAKE :REAR .....             | 0.5    |
| 8        | 7111C4 | ARM, BRAKE :REAR .....             | 0.5    |

| Ref. No. | Part No.        | Description                           | Reqd. QTY |   | Serial No. | Parts catalogue code |
|----------|-----------------|---------------------------------------|-----------|---|------------|----------------------|
|          |                 |                                       | ANC125    | F |            |                      |
| 1        | 06430-KWN-900   | SHOE SET, BRAKE(JB) .....             | 1         | 1 |            |                      |
| 2        | 42311-K29-900   | COLLAR, RR. WHEEL SIDE .....          | 1         | 1 |            |                      |
| 3        | 42650-K29-900ZA | WHEEL SUB ASSY., RR.<br>*NH146M*      | 1         | 1 |            |                      |
| 4        | 42711-K29-901   | TIRE, RR.(CST)<br>(100/90-14 M/C 57P) | 1         | 1 |            |                      |
| 5        | 42753-K12-901   | VALVE, RIM(CST) .....                 | 1         | 1 |            |                      |
| 6        | 43141-K29-900   | CAM, RR. BRAKE .....                  | 1         | 1 |            |                      |
| 7        | 43151-329-000   | SPRING, BRAKE SHOE .....              | 2         | 2 |            |                      |
| 8        | 43410-KWN-900   | ARM, RR. BRAKE .....                  | 1         | 1 |            |                      |
| 9        | 43472-KVB-900   | SPRING, RR. BRAKE ARM .....           | 1         | 1 |            |                      |
| 10       | 90112-KVB-900   | BOLT, FLANGE, 6X32 .....              | 1         | 1 |            |                      |
| 11       | 90305-KVB-901   | NUT, U, 16MM .....                    | 1         | 1 |            |                      |
| 12       | 95015-32001     | JOINT B, BRAKE ARM .....              | 1         | 1 |            |                      |
| 13       | 95015-42000     | NUT B, BRAKE ROD ADJUSTING ..         | 1         | 1 |            |                      |

**3**

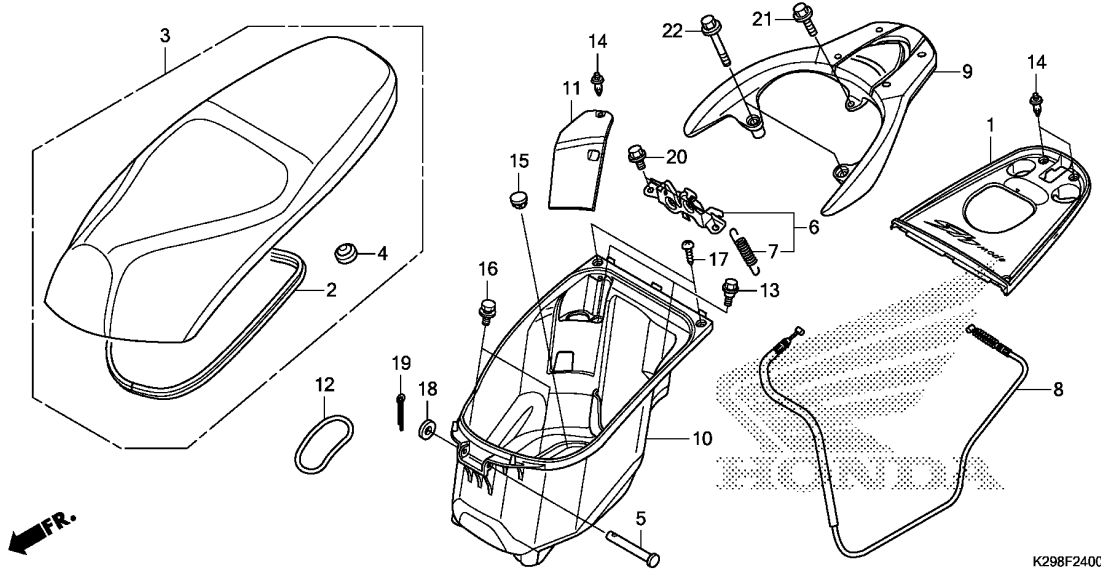


| Ref. No. | L.O.N. | (Relative ref. Number) Description | F.R.T. |
|----------|--------|------------------------------------|--------|
| 1        | 413121 | COVER, FUEL TANK TOP .....         | 0.1    |
| 3        | 4131E4 | SEAT :DOUBLE .....                 | 0.2    |
| 6        | 4131E8 | CATCH, SEAT :REAR SIDE .....       | 0.7    |
| 8        | 811175 | CABLE, SEAT LOCK .....             | 1.5    |
| 9        | 410165 | CARRIER, LUGGAGE .....             | 0.1    |
| 10       | 412102 | BOX, LUGGAGE .....                 | 0.2    |

K298F2400

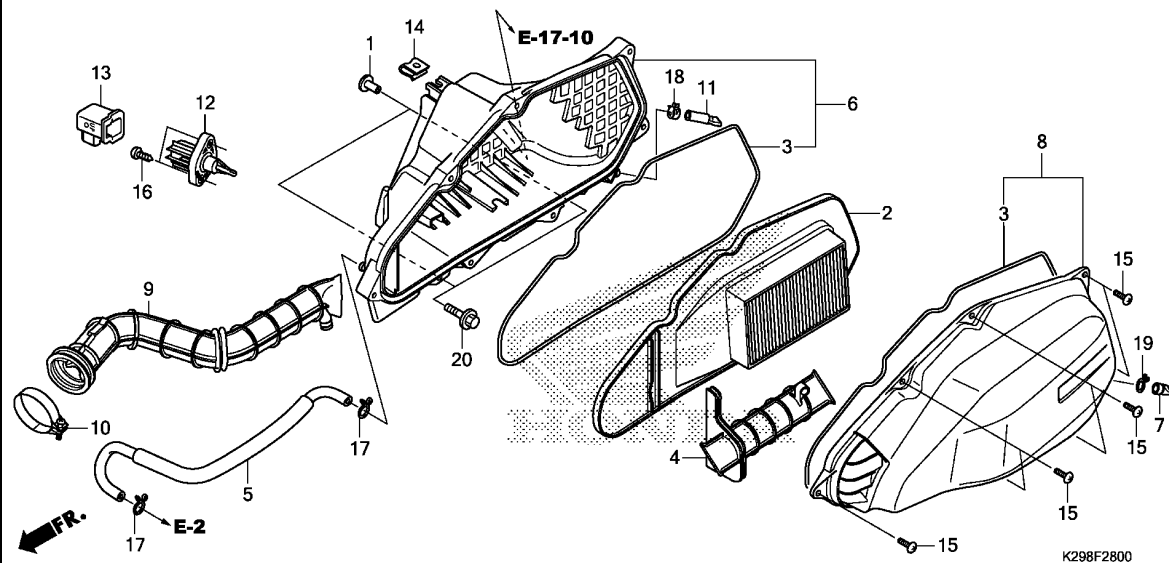
| Ref. No. | Part No.        | Description                   | Reqd. QTY |   | Serial No. | Parts catalogue code |
|----------|-----------------|-------------------------------|-----------|---|------------|----------------------|
|          |                 |                               | ANC125    | F |            |                      |
| 1        | 17575-K29-900   | COVER, FUEL TANK .....        | 1         | 1 |            |                      |
| 2        | 77115-K29-900   | RUBBER, SEAL .....            | 1         | 1 |            |                      |
| 3        | 77200-K29-900ZC | SEAT COMP., DOUBLE            |           |   |            |                      |
|          |                 | *TYPE1*.....                  | 1         | 1 |            |                      |
|          | 77200-K29-900ZA | *TYPE3*.....                  | 1         | 1 | ----- V    |                      |
|          | 77200-K29-900ZB | *TYPE2*.....                  | 1         | - |            |                      |
|          | 77200-K29-900ZD | *TYPE4*.....                  | -         | 1 | ----- 2V   |                      |
| 4        | 77215-KW7-900   | RUBBER C, SEAT SETTING .....  | 2         | 2 |            |                      |
| 5        | 77215-KZL-930   | PIN, SEAT HINGE .....         | 1         | 1 |            |                      |
| 6        | 77230-KZR-602   | CATCH COMP., SEAT .....       | 1         | 1 |            |                      |
| 7        | 77234-GN2-000   | SPRING, SEAT LOCK .....       | 1         | 1 |            |                      |
| 8        | 77241-K29-901   | CABLE COMP., SEAT LOCK .....  | 1         | 1 |            |                      |
| 9        | 81200-K29-900ZA | CARRIER, LUGGAGE              |           |   |            |                      |
|          |                 | *NH411M*FORCE SILVER METALLIC | 1         | 1 |            |                      |
| 10       | 81250-K29-900   | BOX, LUGGAGE .....            | 1         | 1 |            |                      |
| 11       | 81253-K29-900   | LID, LUGGAGE BOX .....        | 1         | 1 |            |                      |
| 12       | 89012-KZL-930   | BAND, TOOL .....              | 1         | 1 |            |                      |
| 13       | 90111-162-000   | BOLT, FLANGE, 6MM .....       | 2         | 2 |            |                      |
| 14       | 90116-SPO-003   | CLIP, BUMPER SEAL .....       | 3         | 3 |            |                      |
| 15       | 90656-GCC-000ZC | PLUG, HOLE                    |           |   |            |                      |
|          |                 | *NH1*.....BLACK               | 1         | 1 |            |                      |
| 16       | 93404-06010-00  | BOLT-WASHER, 6X10 .....       | 2         | 2 |            |                      |
| 17       | 93903-34480     | SCREW, TAPPING, 4X16 .....    | 2         | 2 |            |                      |
| 18       | 94101-08000     | WASHER, PLAIN, 8MM .....      | 1         | 1 |            |                      |
| 19       | 94201-16180     | PIN, SPLIT, 1.6X18 .....      | 1         | 1 |            |                      |
| 20       | 95701-06012-00  | BOLT, FLANGE, 6X12 .....      | 2         | 2 |            |                      |

3



| Ref. No. | Part No.       | Description              | Reqd. QTY |   | Serial No. | Parts catalogue code |
|----------|----------------|--------------------------|-----------|---|------------|----------------------|
|          |                |                          | ANC125    | F |            |                      |
| 21       | 95801-08025-00 | BOLT, FLANGE, 8X25 ..... | 1         | 1 |            |                      |
| 22       | 95801-08045-00 | BOLT, FLANGE, 8X45 ..... | 2         | 2 |            |                      |

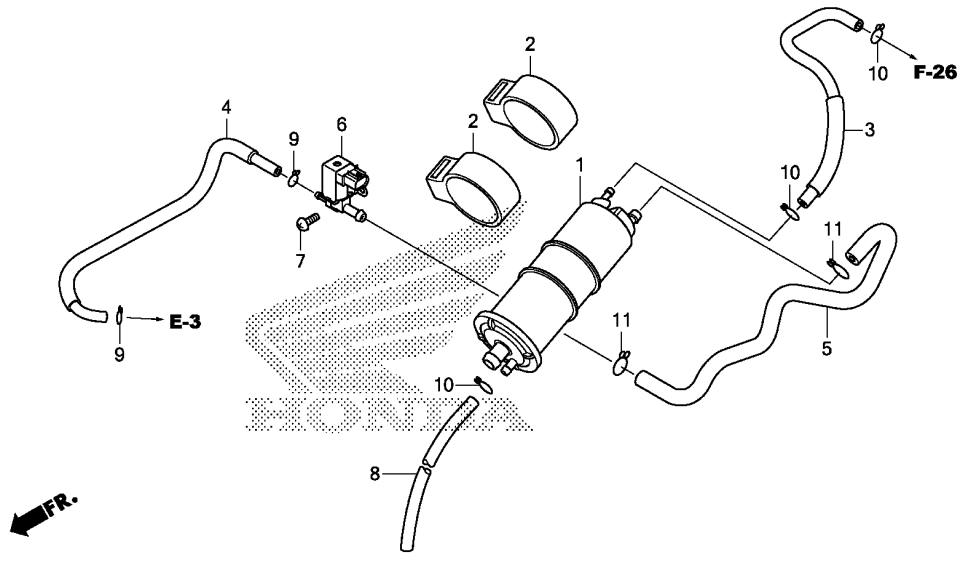




| Ref. No. | L.O.N. | (Relative ref. Number) Description | F.R.T. |
|----------|--------|------------------------------------|--------|
| 2        |        | (3)                                |        |
|          | 312105 | ELEMENT, AIR CLEANER .....         | 0.1    |
| 6        | 3121A5 | CASE, AIR CLEANER .....            | 0.5    |
| 8        |        | (4)                                |        |
|          | 312102 | COVER, AIR CLEANER CASE .....      | 0.2    |
| 9        | 3121B6 | TUBE, AIR CLEANER CONNECTING ..    | 0.5    |
| 12       | 617120 | SENSOR, AIR TEMP .....             | 0.5    |

| Ref. No. | Part No.       | Description                     | Reqd. QTY |   | Serial No. | Parts catalogue code |
|----------|----------------|---------------------------------|-----------|---|------------|----------------------|
|          |                |                                 | ANC125    | F |            |                      |
| 1        | 17208-GR1-010  | COLLAR, AIR CLEANER SETTING ..  | 2         | 2 |            |                      |
| 2        | 17210-K29-900  | ELEMENT COMP., AIR CLEANER ..   | 1         | 1 |            |                      |
| 3        | 17213-KZR-600  | SEAL, AIR CLEANER .....         | 2         | 2 |            |                      |
| 4        | 17215-K27-V00  | DUCT, AIR CLEANER .....         | 1         | 1 |            |                      |
| 5        | 17218-K29-900  | TUBE, BREATHER .....            | 1         | 1 |            |                      |
| 6        | 17225-K27-V00  | CASE SUB ASSY., AIR CLEANER ..  | 1         | 1 |            |                      |
| 7        | 17236-KVB-900  | PLUG, AIR CLEANER DRAIN .....   | 1         | 1 |            |                      |
| 8        | 17245-KWN-980  | COVER SUB ASSY., AIR CLEANER .. | 1         | 1 |            |                      |
| 9        | 17253-K29-900  | TUBE, AIR CLEANER CONNECTING .. | 1         | 1 |            |                      |
| 10       | 17256-KWZ-900  | BAND, AIR CLEANER CONNECTING .. | 1         | 1 |            |                      |
|          |                | TUBE(44)                        | 1         | 1 |            |                      |
| 11       | 17261-KVB-T00  | TUBE, DRAIN .....               | 1         | 1 |            |                      |
| 12       | 37880-KWW-C01  | SENSOR ASSY., AIR TEMP .....    | 1         | 1 |            |                      |
| 13       | 37881-KZL-E00  | COVER, AIR TEMP SENSOR .....    | 1         | 1 |            |                      |
| 14       | 90305-GEE-710  | NUT, CLIP, 6MM .....            | 1         | 1 |            |                      |
| 15       | 93903-25480    | SCREW, TAPPING, 5X20 .....      | 7         | 7 |            |                      |
| 16       | 93911-25520    | SCREW, TAPPING, 5X20 .....      | 2         | - |            |                      |
|          | 93913-255J0    | .....                           | -         | 2 |            |                      |
| 17       | 95002-02130    | CLIP, TUBE(B12.5) .....         | 2         | 2 |            |                      |
| 18       | 95002-41200-08 | CLAMP, TUBE(D12) .....          | 1         | 1 |            |                      |
| 19       | 95002-80000    | CLIP, TUBE(C12) .....           | 1         | 1 |            |                      |
| 20       | 95701-06025-00 | BOLT, FLANGE, 6X25 .....        | 2         | 2 |            |                      |





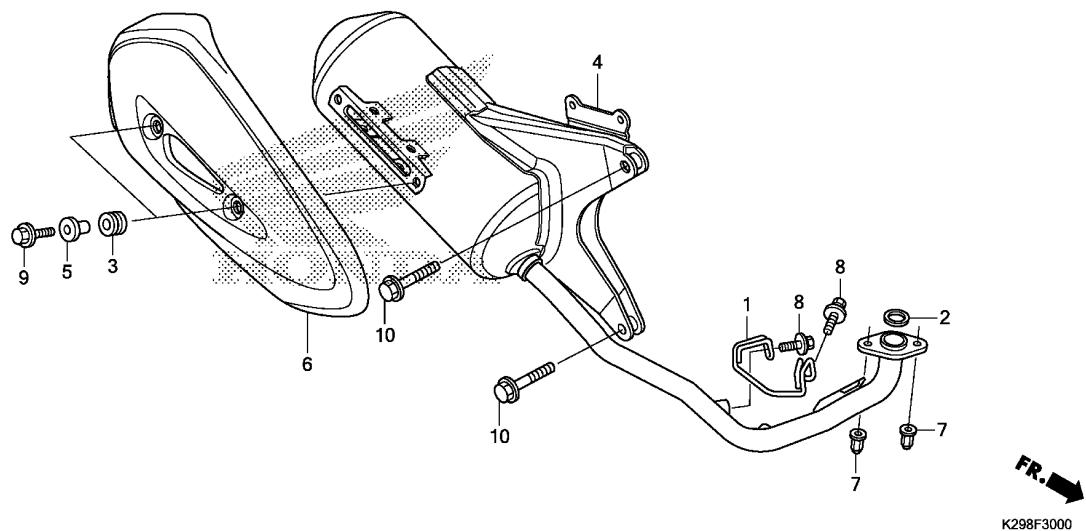
K298F2900

| Ref. No. | L.O.N. | (Relative ref. Number) Description | F.R.T. |
|----------|--------|------------------------------------|--------|
| 1        | 3141A4 | CANISTER .....                     | 0.3    |
| 6        | 3141A9 | VALVE, PURGE CONTROL .....         | 0.4    |

3

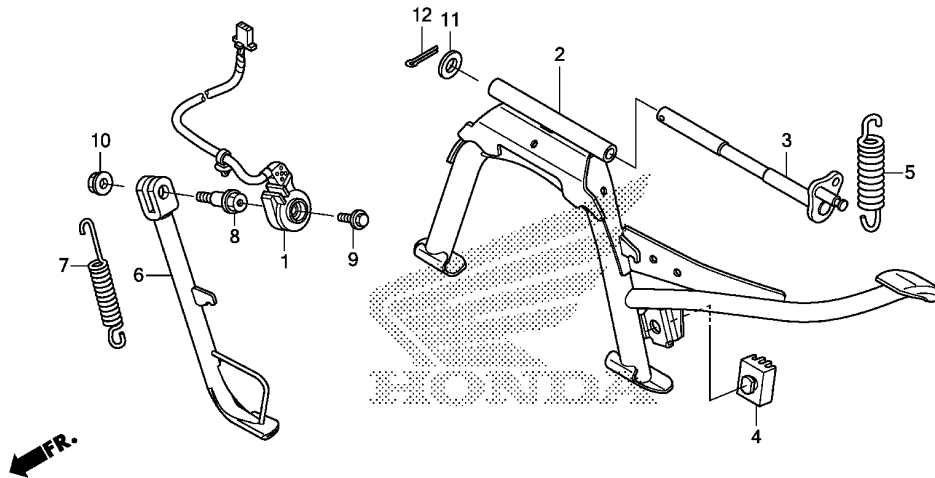
| Ref. No. | Part No.       | Description                              | Reqd. QTY |   | Serial No. | Parts catalogue code |
|----------|----------------|--|-----------|---|------------|----------------------|
|          |                |  | ANC125    | F |            |                      |
| 1        | 17310-GGC-902  | CANISTER COMP. ....                      | 1         | 1 |            |                      |
| 2        | 17311-GFM-K00  | RUBBER, CANISTER MOUNT .....             | 2         | 2 |            |                      |
| 3        | 17413-K29-900  | TUBE, CHARGE .....                       | 1         | 1 |            |                      |
| 4        | 17415-K29-900  | TUBE B, PURGE .....                      | 1         | 1 |            |                      |
| 5        | 17418-K29-900  | TUBE A, PURGE .....                      | 1         | 1 |            |                      |
| 6        | 36162-K27-V01  | VALVE, PURGE CONTROL SOLENOID            | 1         | 1 |            |                      |
| 7        | 93500-05012-0H | SCREW, PAN, 5X12 .....                   | 2         | 2 |            |                      |
| 8        | 95001-45510-40 | TUBE, FUEL, 4.5X510<br>(95001-45001-60M) | 1         | 1 |            |                      |
| 9        | 95002-02070    | CLIP, TUBE(B7) .....                     | 2         | 2 |            |                      |
| 10       | 95002-02080    | CLIP, TUBE(B8) .....                     | 3         | 3 |            |                      |
| 11       | 95002-02120    | CLIP, TUBE(B12) .....                    | 2         | 2 |            |                      |





| Ref. No. | L.O.N. | (Relative ref. Number) Description | F.R.T. |
|----------|--------|------------------------------------|--------|
| 2        | 3131B4 | GASKET, EXHAUST PIPE .....         | 0.2    |
| 4        | 313120 | MUFFLER .....                      | 0.2    |
| 6        | 313121 | PROTECTOR, MUFFLER .....           | 0.1    |

| Ref. No. | Part No.        | Description   | Reqd. QTY |   | Serial No. | Parts catalogue code |
|----------|-----------------|---|-----------|---|------------|----------------------|
|          |                 |   | ANC125    | F |            |                      |
| 1        | 18155-K29-900   | PROTECTOR, EX. PIPE .....                           | 1         | 1 |            |                      |
| 2        | 18291-GE2-921   | GASKET, EX. PIPE .....                              | 1         | 1 |            |                      |
| 3        | 18293-KSB-900   | RUBBER, PROTECTOR PACKING ...                       | 2         | 2 |            |                      |
| 4        | 18300-K29-900   | MUFFLER COMP., EX. ....                             | 1         | 1 |            |                      |
| 5        | 18316-KVB-900   | COLLAR, MUFFLER PROTECTOR ...                       | 2         | 2 |            |                      |
| 6        | 18318-K29-900ZA | PROTECTOR, MUFFLER<br>*NH411M*FORCE SILVER METALLIC | 1         | 1 |            |                      |
| 7        | 90304-MJ0-920   | NUT, CAP, 7MM .....                                 | 2         | 2 |            |                      |
| 8        | 93404-06012-00  | BOLT-WASHER, 6X12 .....                             | 2         | 2 |            |                      |
| 9        | 95701-06016-02  | BOLT, FLANGE, 6X16 .....                            | 2         | 2 |            |                      |
| 10       | 95801-10040-00  | BOLT, FLANGE, 10X40 .....                           | 2         | 2 |            |                      |



K298F3500

| Ref. No. | L.O.N. | (Relative ref. Number) Description | F.R.T. |
|----------|--------|------------------------------------|--------|
| 1        | 615195 | SWITCH, SIDE STAND .....           | 1.0    |
| 2        |        | (3)                                |        |
|          | 410175 | STAND, MAIN .....                  | 0.4    |
| 5        | 410176 | SPRING, MAIN STAND .....           | 0.2    |
| 6        | 410180 | BAR, SIDE STAND .....              | 0.3    |
| 7        | 410182 | SPRING, SIDE STAND .....           | 0.1    |

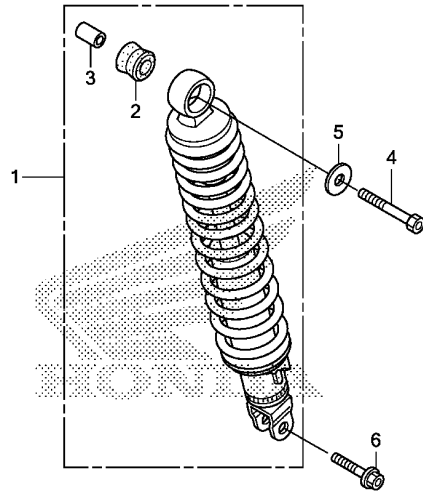
3

| Ref. No. | Part No.      | Description                    | Reqd. QTY   |   | Serial No. | Parts catalogue code |
|----------|---------------|--------------------------------|-------------|---|------------|----------------------|
|          |               |                                | ANC125<br>E | F |            |                      |
| 1        | 35700-K29-901 | SWITCH ASSY., SIDE STAND ..... | 1           | - |            |                      |
|          | 35700-K29-911 | .....                          | -           | 1 |            |                      |
| 2        | 50500-K29-900 | STAND COMP., MAIN .....        | 1           | 1 |            |                      |
| 3        | 50503-KWN-900 | SHAFT, MAIN STAND .....        | 1           | 1 |            |                      |
| 4        | 50505-GR1-710 | RUBBER, STAND STOPPER .....    | 1           | 1 |            |                      |
| 5        | 50520-K29-900 | SPRING, MAIN STAND .....       | 1           | 1 |            |                      |
| 6        | 50530-K29-900 | BAR COMP., SIDE STAND .....    | 1           | 1 |            |                      |
| 7        | 50541-MV4-010 | SPRING, SIDE STAND .....       | 1           | 1 |            |                      |
| 8        | 90108-KZL-860 | BOLT, SIDE STAND PIVOT .....   | 1           | 1 |            |                      |
| 9        | 90147-KVY-900 | BOLT, SWITCH SETTING .....     | 1           | 1 |            |                      |
| 10       | 90203-KVB-900 | NUT, SIDE STAND .....          | 1           | 1 |            |                      |
| 11       | 94101-10800   | WASHER, PLAIN, 10MM .....      | 1           | 1 |            |                      |
| 12       | 94201-30200   | PIN, SPLIT, 3.0X20 .....       | 1           | 1 |            |                      |

F-36

REAR CUSHION

G16



K298F3600

| Ref. No. | L.O.N. | (Relative ref. Number) Description | F.R.T. |
|----------|--------|------------------------------------|--------|
| 1        | 512115 | CUSHION ASSY., REAR .....          | 0.7    |

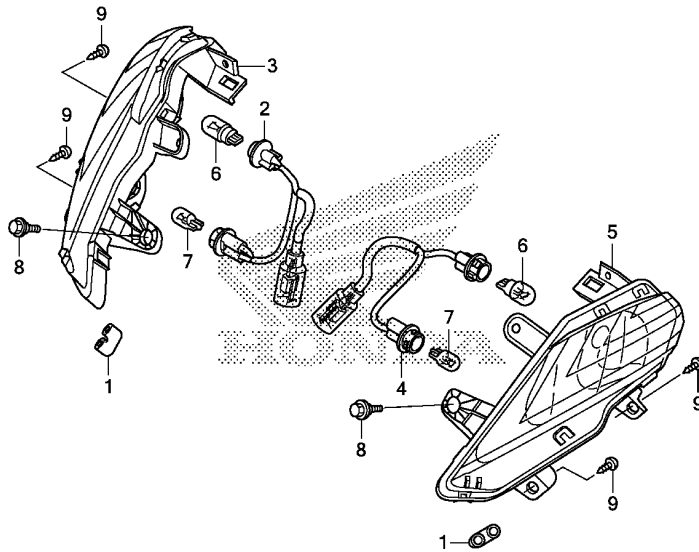
| Ref. No. | Part No.       | Description                      | Reqd. QTY |   | Serial No. | Parts catalogue code |
|----------|----------------|----------------------------------|-----------|---|------------|----------------------|
|          |                |                                  | ANC125    | F |            |                      |
| 1        | 52400-K29-901  | CUSHION ASSY., RR.(SHOWA) ...    | 1         | 1 |            |                      |
| 2        | 52485-088-901  | BUSH, RR. CUSHION RUBBER (SHOWA) | 1         | 1 |            |                      |
| 3        | 52486-GA7-003  | COLLAR, RUBBER BUSH(SHOWA) ..    | 1         | 1 |            |                      |
| 4        | 92201-10085-0H | BOLT, HEX., 10X85 .....          | 1         | 1 |            |                      |
| 5        | 94101-10000    | WASHER, PLAIN, 10MM .....        | 1         | 1 |            |                      |
| 6        | 90131-K01-900  | BOLT, FLANGE, 8X32 .....         | 1         | 1 |            |                      |

3

# F-37-10

# FRONT WINKER

**H 1**



| Ref. No. | L.O.N. | (Relative ref. Number) Description | F.R.T. |
|----------|--------|------------------------------------|--------|
| 2        | 6161B6 | SOCKET, WINKER :RIGHT FRONT ..     | 0.2    |
| 3        | 6161C4 | WINKER :RIGHT FRONT .....          | 0.3    |
| 4        | 6161B5 | SOCKET, WINKER :LEFT FRONT ...     | 0.2    |
|          | 6161B7 | SOCKET, WINKER :BOTH FRONT ...     | 0.2    |
| 5        | 6161C3 | WINKER :LEFT FRONT .....           | 0.3    |
|          | 6161C5 | WINKER :BOTH FRONT .....           | 0.5    |
| 6        | 616133 | BULB, WINKER :FRONT .....          | 0.1    |
|          |        | .NOTE: Same time for two units     |        |
|          | 6161G0 | BULB, WINKER :FOR 1 VEHICLE ..     | 0.4    |
| 7        | 616182 | BULB, POSITION LIGHT .....         | 0.1    |
|          |        | .NOTE: Same time for two units     |        |

K298F3710

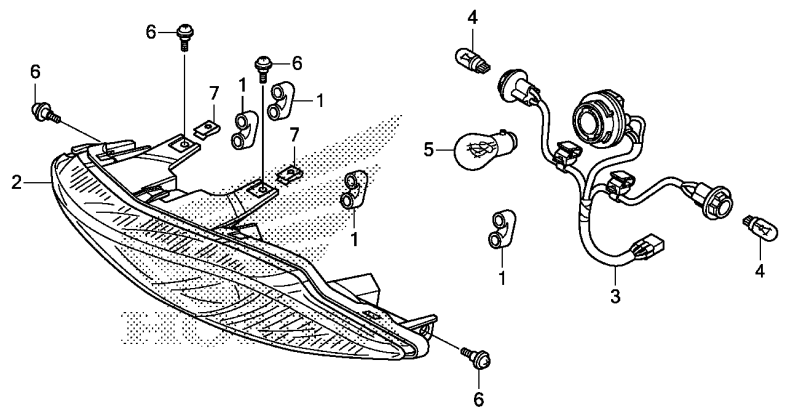
| Ref. No. | Part No.      | Description                              | Reqd. QTY |   | Serial No. | Parts catalogue code |
|----------|---------------|--|-----------|---|------------|----------------------|
|          |               |  | ANC125    | F |            |                      |
| 1        | 33113-K29-901 | PIPE, CP .....                           | 4         | 4 |            |                      |
| 2        | 33410-K29-901 | CORD COMP., R. ....                      | 1         | 1 |            |                      |
| 3        | 33420-K29-901 | WINKER UNIT, R. FR. ....                 | 1         | 1 |            |                      |
| 4        | 33460-K29-901 | CORD COMP., L. ....                      | 1         | 1 |            |                      |
| 5        | 33470-K29-901 | WINKER UNIT, L. FR. ....                 | 1         | 1 |            |                      |
| 6        | 34904-K29-901 | BULB, WINKER LIGHT(WY10W)<br>(TOSHIBA)   | 2         | 2 |            |                      |
|          | 34904-K29-902 | BULB, WINKER LIGHT(WY10W)<br>(LIFE ELEX) | 2         | 2 |            |                      |
| 7        | 34909-K29-901 | BULB, POSITION LIGHT(W5W) ...            | 2         | 2 |            |                      |
| 8        | 90106-K29-900 | BOLT, FLANGE, 6MM .....                  | 2         | 2 |            |                      |
| 9        | 93903-35320   | SCREW, TAPPING, 5X16 .....               | 4         | 4 |            |                      |

**3**

**F-38-10**

**REAR COMBINATION LIGHT**

**H 2**



K298F3810

| Ref. No. | L.O.N. | (Relative ref. Number) Description | F.R.T. |
|----------|--------|------------------------------------|--------|
| 2        | 6161D5 | TAILLIGHT UNIT .....               | 0.3    |
| 3        | 6161E7 | SOCKET, TAILLIGHT .....            | 0.3    |
| 4        | 616139 | BULB, WINKER :REAR .....           | 0.3    |
|          |        | .NOTE: Same time for two units     |        |
|          | 6161G0 | BULB, WINKER :FOR 1 VEHICLE ..     | 0.4    |
| 5        | 6161G1 | BULB, TAILLIGHT .....              | 0.3    |

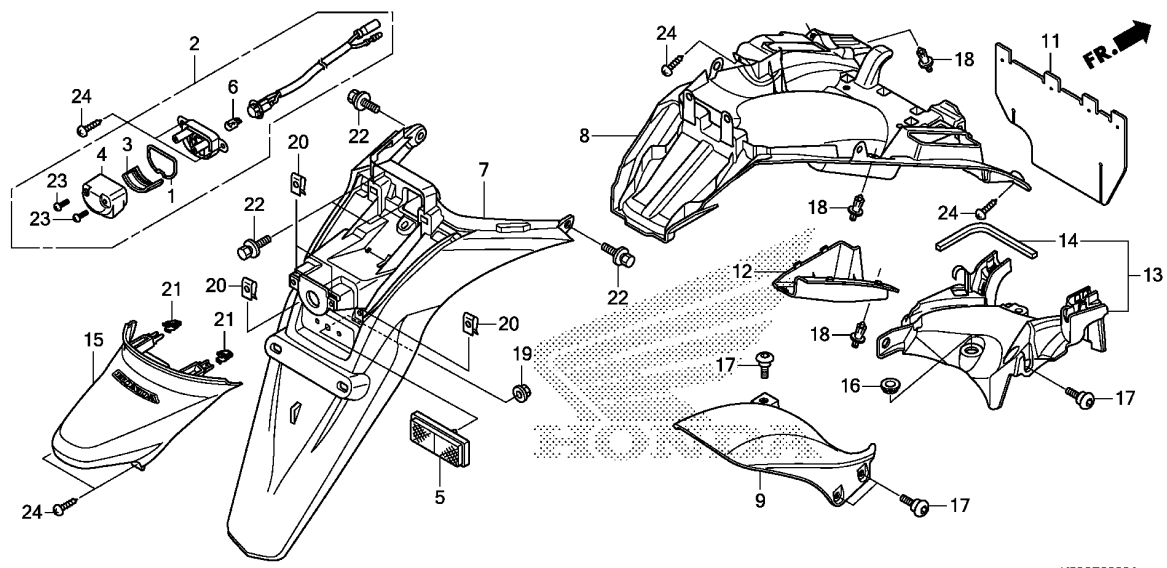
| Ref. No. | Part No.      | Description                    | Reqd. QTY |   | Serial No. | Parts catalogue code |
|----------|---------------|--------------------------------|-----------|---|------------|----------------------|
|          |               |                                | ANC125    | F |            |                      |
| 1        | 32113-K29-900 | PIPE, CP .....                 | 4         | 4 |            |                      |
| 2        | 33710-K29-901 | LIGHT UNIT, RR. COMBINATION .. | 1         | 1 |            |                      |
| 3        | 33750-K29-901 | SOCKET COMP., RR. COMBINATION  | 1         | 1 |            |                      |
| 4        | 34904-K29-901 | BULB, WINKER LIGHT(WY10W)      |           |   |            |                      |
|          |               | (TOSHIBA)                      | 2         | 2 |            |                      |
|          | 34904-K29-902 | BULB, WINKER LIGHT(WY10W)      |           |   |            |                      |
|          |               | (LIFE ELEX)                    | 2         | 2 |            |                      |
| 5        | 34906-K29-901 | BULB, TAILLIGHT(P21/5W) .....  | 1         | 1 |            |                      |
| 6        | 90117-MN5-000 | SCREW, PAN, 5X13 .....         | 4         | 4 |            |                      |
| 7        | 90677-KAN-T00 | NUT, CLIP, 5MM .....           | 2         | 2 |            |                      |

**3**

**F-39**

**REAR FENDER/LICENSE LIGHT**

**H 3**

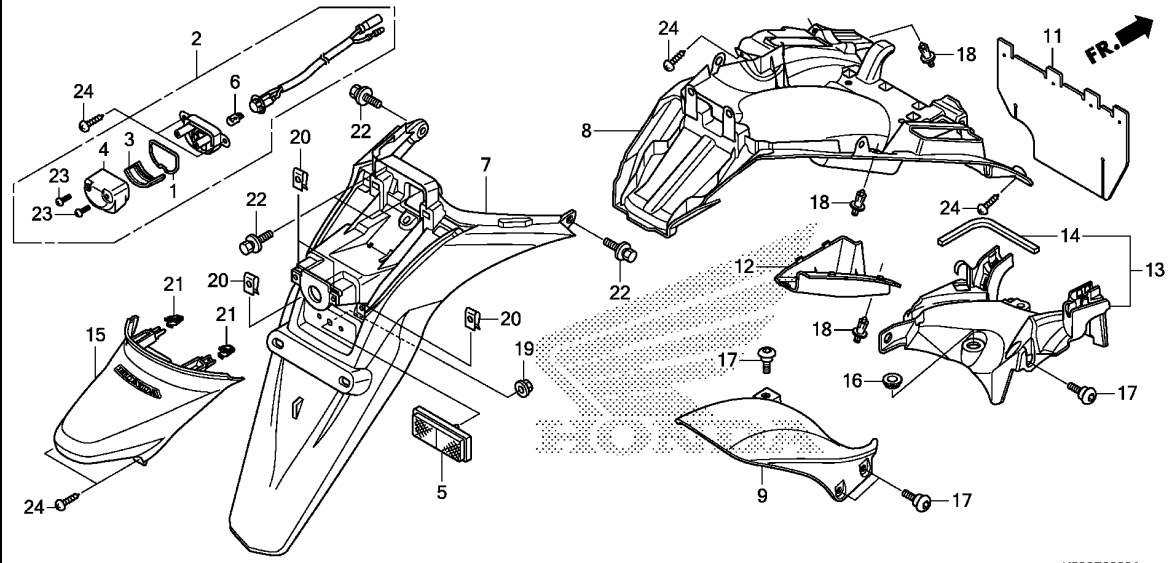


K298F3900A

| Ref. No. | L.O.N. | (Relative ref. Number) Description | F.R.T. |
|----------|--------|------------------------------------|--------|
| 2        | 6161D8 | LIGHT, LICENSE .....               | 0.2    |
| 6        |        | (1,3,4)                            |        |
|          | 6161F3 | BULB, LICENSE LIGHT .....          | 0.1    |
| 7        | 413105 | FENDER A, REAR .....               | 0.7    |
| 8        | 413110 | FENDER B, REAR .....               | 0.8    |
| 9        | 413111 | FENDER C, REAR .....               | 0.1    |
| 13       | 4131N4 | FENDER, INNER :REAR .....          | 0.7    |
| 15       | 6161P5 | COVER, LICENSE LIGHT .....         | 0.1    |

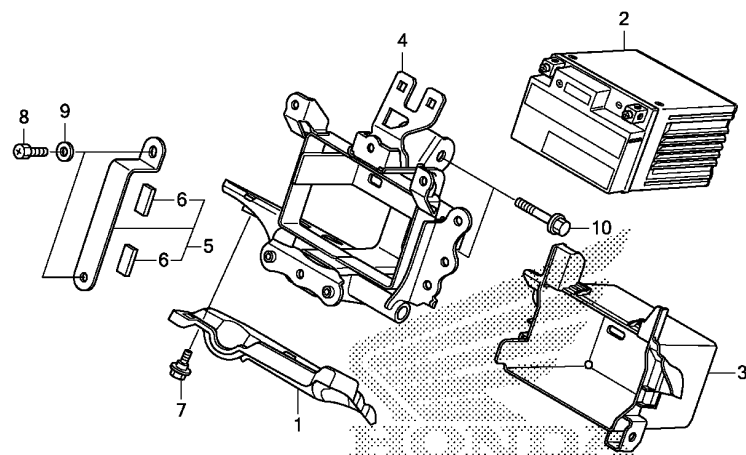
**3**

| Ref. No. | Part No.        | Description                                     | Reqd. QTY |     | Serial No. | Parts catalogue code |
|----------|-----------------|---|-----------|-----|------------|----------------------|
|          |                 |   | ANC125    | E F |            |                      |
| 1        | 33709-K29-901   | PACKING, LENS .....                             | 1         | 1   |            |                      |
| 2        | 33720-K29-901   | LIGHT ASSY., LICENSE .....                      | 1         | 1   |            |                      |
| 3        | 33721-K29-901   | LENS .....                                      | 1         | 1   |            |                      |
| 4        | 33727-K29-901   | COVER .....                                     | 1         | 1   |            |                      |
| 5        | 33741-K29-901   | REFLECTOR, REFLEX .....                         | 1         | 1   |            |                      |
| 6        | 34903-K29-901   | BULB, LICENSE LIGHT(W5W)<br>(TOSHIBA)           | 1         | 1   |            |                      |
|          | 34903-K29-902   | BULB, LICENSE LIGHT(12V 5W)<br>(W5W)(LIFE ELEX) | 1         | 1   |            |                      |
| 7        | 80101-K29-900ZA | FENDER A, RR.<br>*YR286R*.....CASTAGNA BROWN R  | 1         | 1   |            |                      |
|          | 80101-K29-900ZB | *NH1*.....BLACK                                 | 1         | 1   |            |                      |
| 8        | 80102-K29-900   | FENDER B, RR. ....                              | 1         | 1   |            |                      |
| 9        | 80103-K29-900   | FENDER C, RR. ....                              | 1         | 1   |            |                      |
| 11       | 80104-KZR-600   | GUARD, SPLASH .....                             | 1         | 1   |            |                      |
| 12       | 80105-K29-900   | LID, RR. FENDER B .....                         | 1         | 1   |            |                      |
| 13       | 80106-K29-900   | FENDER ASSY., RR. INNER .....                   | 1         | 1   |            |                      |
| 14       | 80108-KZR-600   | SEAL, RR. INNER FENDER .....                    | 1         | 1   |            |                      |
| 15       | 80110-K29-900ZA | COVER SET, LICENSE LIGHT(WL)<br>*TYPE2*.....    | 1         | 1   |            |                      |
|          | 80110-K29-900ZB | *TYPE1*.....                                    | 1         | 1   |            |                      |
| 16       | 83551-376-000   | GROMMET, SIDE COVER .....                       | 1         | 1   |            |                      |
| 17       | 90101-K29-900   | BOLT, SOCKET, 6X18 .....                        | 4         | 4   |            |                      |
| 18       | 90116-SPO-003   | CLIP, BUMPER SEAL .....                         | 3         | 3   |            |                      |
| 19       | 90301-KWN-901   | NUT, U, 5MM .....                               | 1         | 1   |            |                      |
| 20       | 90302-KWW-A00   | NUT, SPRING, 4MM .....                          | 4         | 4   |            |                      |



K298F3900A

| Ref. No. | Part No.       | Description                | Reqd. QTY |   | Serial No. | Parts catalogue code |
|----------|----------------|----------------------------|-----------|---|------------|----------------------|
|          |                |                            | ANC125    | F |            |                      |
| 21       | 90601-SJA-003  | CLIP, SNAP FITTING .....   | 2         | 2 |            |                      |
| 22       | 93404-06012-00 | BOLT-WASHER, 6X12 .....    | 4         | 4 |            |                      |
| 23       | 93901-34320    | SCREW, TAPPING, 4X12 ..... | 2         | 2 |            |                      |
| 24       | 93903-34480    | SCREW, TAPPING, 4X16 ..... | 6         | 6 |            |                      |



K298F4000

| Ref. No. | L.O.N. | (Relative ref. Number) Description | F.R.T. |
|----------|--------|------------------------------------|--------|
| 2        | 610100 | BATTERY .....                      | 0.2    |
| 4        | 410185 | BOX, BATTERY .....                 | 0.9    |

3

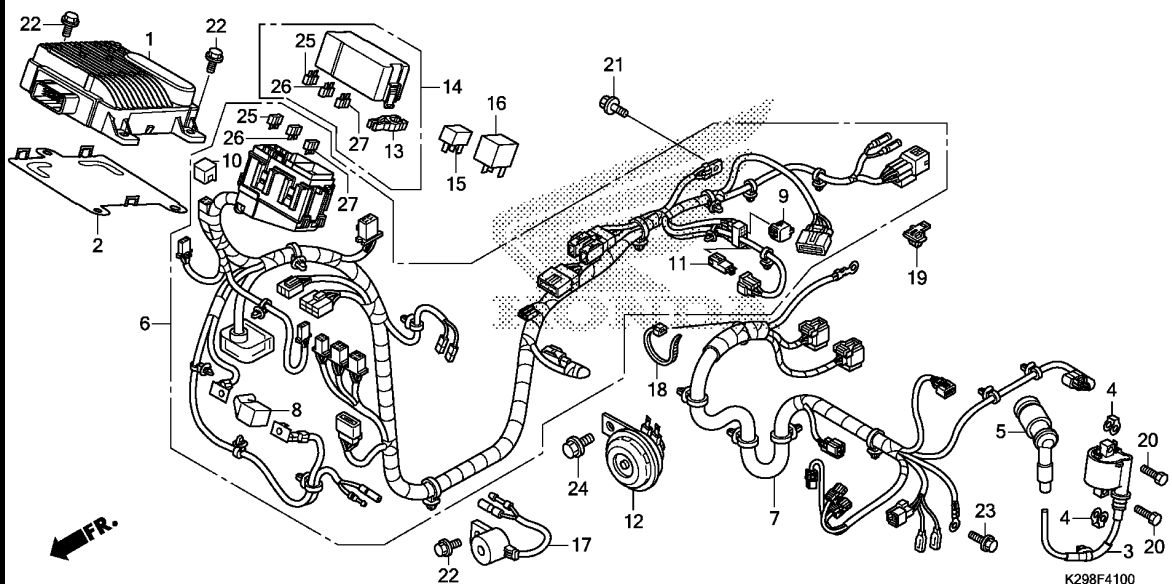
| Ref. No. | Part No.       | Description                     | Reqd. QTY   |   | Serial No. | Parts catalogue code |
|----------|----------------|---------------------------------|-------------|---|------------|----------------------|
|          |                |                                 | ANC125<br>E | F |            |                      |
| 1        | 30405-K29-900  | GUARD, ENGINE CONTROL UNIT ..   | 1           | 1 |            |                      |
| 2        | 31500-K01-901  | BATTERY (GTZ6V) (GS YUASA) .... | 1           | 1 |            |                      |
|          | 31500-KWN-871  | BATTERY (YTZ6V) (GS YUASA) .... | 1           | - |            |                      |
| 3        | 50380-K29-900  | CASE, BATTERY .....             | 1           | 1 |            |                      |
| 4        | 50381-K29-900  | BOX COMP., BATTERY .....        | 1           | 1 |            |                      |
| 5        | 50382-K29-900  | BAND, BATTERY .....             | 1           | 1 |            |                      |
| 6        | 81257-KWC-900  | RUBBER, PROTECTOR .....         | 2           | 2 |            |                      |
| 7        | 90116-KVB-900  | BOLT, FLANGE, 6MM .....         | 1           | 1 |            |                      |
| 8        | 92301-06012-0A | BOLT, RECESSED, 6X12 .....      | 2           | 2 |            |                      |
| 9        | 94101-06000    | WASHER, PLAIN, 6MM .....        | 2           | 2 |            |                      |
| 10       | 95801-08045-08 | BOLT, FLANGE, 8X45 .....        | 2           | 2 |            |                      |



**F-41**

**WIRE HARNESS**

**H 6**



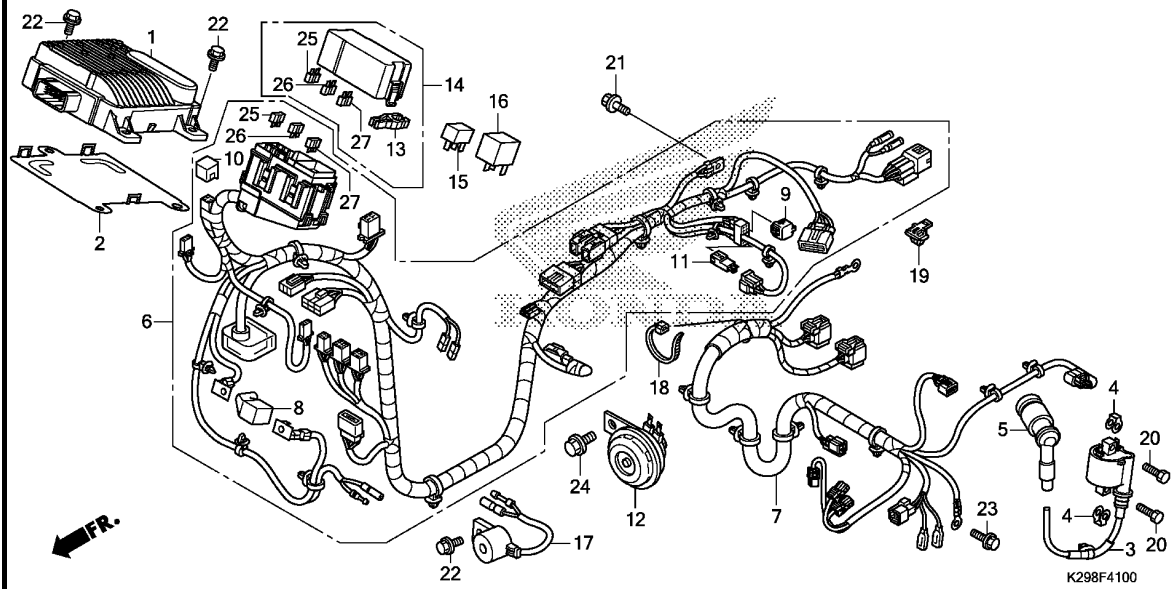
| Ref. No. | L.O.N. | (Relative ref. Number) Description | F.R.T. |
|----------|--------|------------------------------------|--------|
| 1        | 618135 | ENGINE CONTROL MODULE (ECM) ...    | 1.6    |
| 3        | 614105 | COIL, IGNITION .....               | 0.5    |
| 6        | 611100 | HARNESS, WIRE .....                | 2.2    |
| 7        | 611142 | SUB HARNESS, ENGINE .....          | 0.8    |
| 12       | 616169 | HORN .....                         | 0.3    |
| 15       | 611155 | RELAY, MAIN .....                  | 0.2    |
| 16       | 6111C5 | RELAY, STARTER .....               | 0.2    |
| 17       | 6161AB | BUZZER, ELECTRON .....             | 0.3    |

| Ref. No. | Part No.       | Description                                    | Reqd. QTY |   | Serial No. | Parts catalogue code |
|----------|----------------|--|-----------|---|------------|----------------------|
|          |                |  | ANC125    | F |            |                      |
| 1        | 30400-K29-902  | CONTROL UNIT, ENGINE .....                     | 1         | - |            |                      |
|          | 30400-K29-911  | .....  | -         | 1 |            |                      |
| 2        | 30401-KZR-600  | COVER, ENGINE CONTROL UNIT ..                  | 1         | 1 |            |                      |
| 3        | 30510-K12-901  | COIL COMP., IGNITION .....                     | 1         | 1 |            |                      |
| 4        | 30520-GFM-900  | SPACER, IGNITION COIL .....                    | 2         | 2 |            |                      |
| 5        | 30700-KZR-602  | CAP ASSY., NOISE SUPPRESSOR<br>(TOYO)          | 1         | 1 |            |                      |
| 6        | 32100-K29-900  | HARNESS, WIRE .....                            | 1         | 1 |            |                      |
| 7        | 32104-K29-900  | SUB HARNESS, ENGINE .....                      | 1         | 1 |            |                      |
| 8        | 32412-MV4-000  | COVER, BATTERY TERMINAL .....                  | 1         | 1 |            |                      |
| 9        | 32605-GEV-761  | CAP, DUMMY (WPC 4P 090 M)<br>(NATURAL)         | 1         | 1 |            |                      |
| 10       | 32606-GEV-761  | CAP, DUMMY (4P) (RED) .....                    | 1         | 1 |            |                      |
| 11       | 32606-KCW-J91  | CAP, DUMMY (2P) (RED) .....                    | 1         | 1 |            |                      |
| 12       | 38110-KWW-B21  | HORN COMP. ....                                | 1         | 1 |            |                      |
| 13       | 38235-SNA-A01  | PULLER, MINI FUSE .....                        | 1         | 1 |            |                      |
| 14       | 38255-K29-901  | COVER COMP., UPPER .....                       | 1         | 1 |            |                      |
| 15       | 38501-KVZ-631  | RELAY ASSY., POWER<br>(MICRO ISO 4P) (MITSUBA) | 1         | 1 |            |                      |
| 16       | 38502-KWN-901  | RELAY COMP., POWER (PANASONIC)                 | 1         | 1 |            |                      |
| 17       | 38720-KVG-V41  | BUZZER ASSY. ....                              | 1         | 1 |            |                      |
| 18       | 90620-SB2-003  | BAND, WIRE HARNESS .....                       | 1         | 1 |            |                      |
| 19       | 91565-S3Y-003  | CLIP, COUPLER .....                            | 1         | 1 |            |                      |
| 20       | 92101-06020-4J | BOLT, HEX., 6X20 .....                         | 2         | 2 |            |                      |
| 21       | 95701-06012-00 | BOLT, FLANGE, 6X12 .....                       | 1         | 1 |            |                      |

# F-41

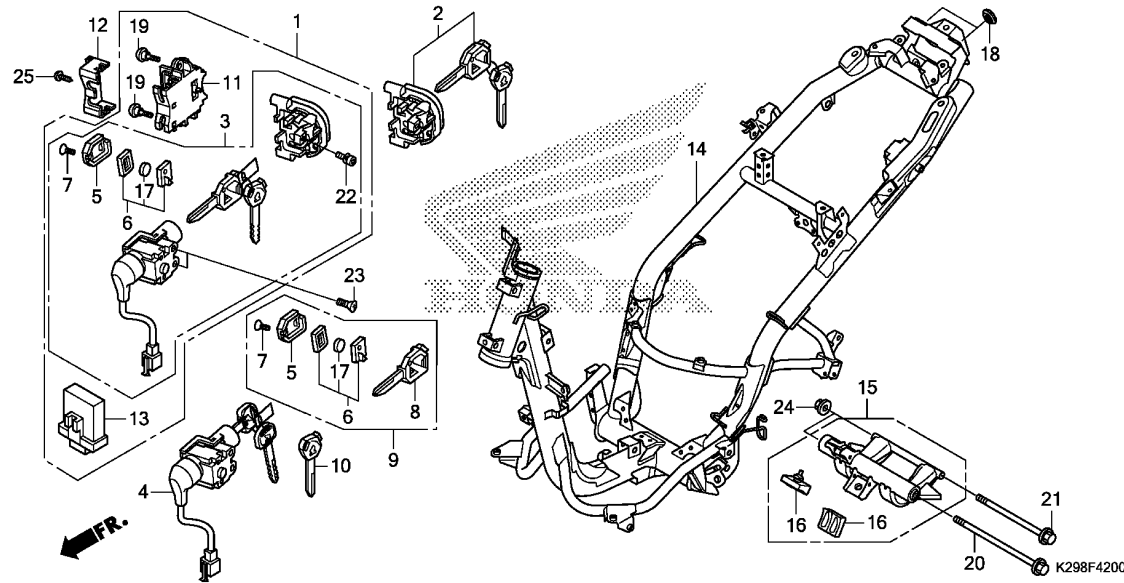
# WIRE HARNESS

H 7



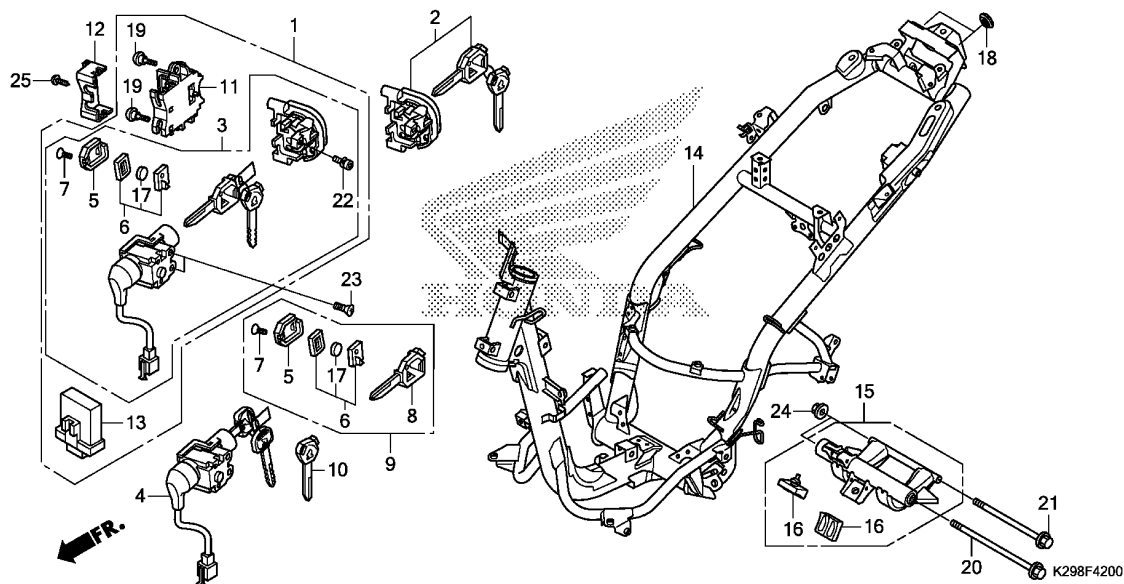
| Ref. No. | Part No.       | Description              | Reqd. QTY |     | Serial No. | Parts catalogue code |
|----------|----------------|--------------------------|-----------|-----|------------|----------------------|
|          |                |                          | ANC125    | E F |            |                      |
| 22       | 95701-06014-00 | BOLT, FLANGE, 6X14 ..... | 4         | 4   |            |                      |
| 23       | 95701-06016-00 | BOLT, FLANGE, 6X16 ..... | 1         | 1   |            |                      |
| 24       | 95701-08012-00 | BOLT, FLANGE, 8X12 ..... | 1         | 1   |            |                      |
| 25       | 98200-40500    | FUSE, MINI (5A) .....    | 2         | 2   |            |                      |
| 26       | 98200-41000    | FUSE, MINI (10A) .....   | 5         | 5   |            |                      |
| 27       | 98200-42500    | FUSE, MINI (25A) .....   | 2         | 2   |            |                      |

3



| Ref. No. | L.O.N. | (Relative ref. Number) Description         | F.R.T. |
|----------|--------|--|--------|
| 1        | 6151A1 | KEY SET .....                              | 2.7    |
| 2        | 6151A2 | KEY, SHUTTER .....                         | 2.5    |
|          |        | .EXCLUDES: Key cutting                     |        |
| 3        | 6151D2 | KEY SET(A) .....                           | 2.6    |
| 4        | 615145 | SWITCH, COMBINATION & LOCK ...             | 2.6    |
| 11       | 6151C3 | SWITCH, SEAT .....                         | 0.4    |
| 13       | 6181C8 | CONTROL UNIT, ANSWER BACK ...              | 0.4    |
| 14       | 410100 | BODY, FRAME .....                          | 4.7    |
|          |        | .INCLUDES: Engine removal and installation |        |
| 15       | 4101B5 | LINK, ENGINE HANGER .....                  | 2.4    |
|          |        | .INCLUDES: Engine removal and installation |        |

| Ref. No. | Part No.      | Description                      | Reqd. QTY |     | Serial No. | Parts catalogue code |
|----------|---------------|----------------------------------|-----------|-----|------------|----------------------|
|          |               |                                  | ANC125    | E F |            |                      |
| 1        | 35010-K29-900 | KEY SET .....                    | 1         | -   |            |                      |
|          | 35010-K29-910 | .....                            | -         | 1   |            |                      |
| 2        | 35011-K01-900 | KEY SET, SHUTTER .....           | 1         | 1   |            |                      |
| 3        | 35012-K29-900 | KEY SET, SWITCH & SHUTTER ...    | 1         | 1   |            |                      |
| 4        | 35101-KZR-601 | SWITCH ASSY., COMBINATION & LOCK | 1         | 1   |            |                      |
| 5        | 35112-KVG-V41 | CASE, BOTTOM .....               | 1         | 1   |            |                      |
|          |               |                                  | (1)       | (1) |            |                      |
| 6        | 35113-KVG-V41 | MODULE ASSY., ANSWER BACK ...    | (1)       | (1) |            |                      |
|          |               |                                  | 1         | -   |            |                      |
|          | 35113-K27-V51 | .....                            | -         | 1   |            |                      |
| 7        | 35114-KVG-V41 | SCREW, FLAT .....                | 1         | 1   |            |                      |
|          |               |                                  | (1)       | (1) |            |                      |
| 8        | 35115-KVG-V41 | CASE COMP., TOP .....            | (1)       | (1) |            |                      |
| 9        | 35121-KVG-V40 | KEY, BLANK .....                 | (1)       | (1) |            |                      |
|          |               | (V4KEYTOP2REPORDER)              | (1)       | (1) |            |                      |
| 10       | 35121-KVY-900 | KEY, BLANK .....                 | (1)       | (1) |            |                      |
|          |               | (90KEYTOP2REPORDER)              | (1)       | (1) |            |                      |
| 11       | 35190-K29-901 | SWITCH ASSY., SEAT OPENER ...    | 1         | 1   |            |                      |
| 12       | 35191-K27-V01 | COVER, CABLE .....               | 1         | 1   |            |                      |
| 13       | 38385-KVG-V41 | CONTROL UNIT, ANSWER BACK ...    | 1         | -   |            |                      |
|          | 38385-K27-V51 | .....                            | -         | 1   |            |                      |
| 14       | 50100-K29-900 | BODY COMP., FRAME .....          | 1         | -   |            |                      |
|          | 50100-K29-910 | .....                            | -         | 1   |            |                      |
| 15       | 50350-K29-900 | LINK ASSY., ENGINE HANGER ...    | 1         | 1   |            |                      |
| 16       | 50352-KZR-600 | RUBBER, LINK STOPPER(50) ....    | 2         | 2   |            |                      |

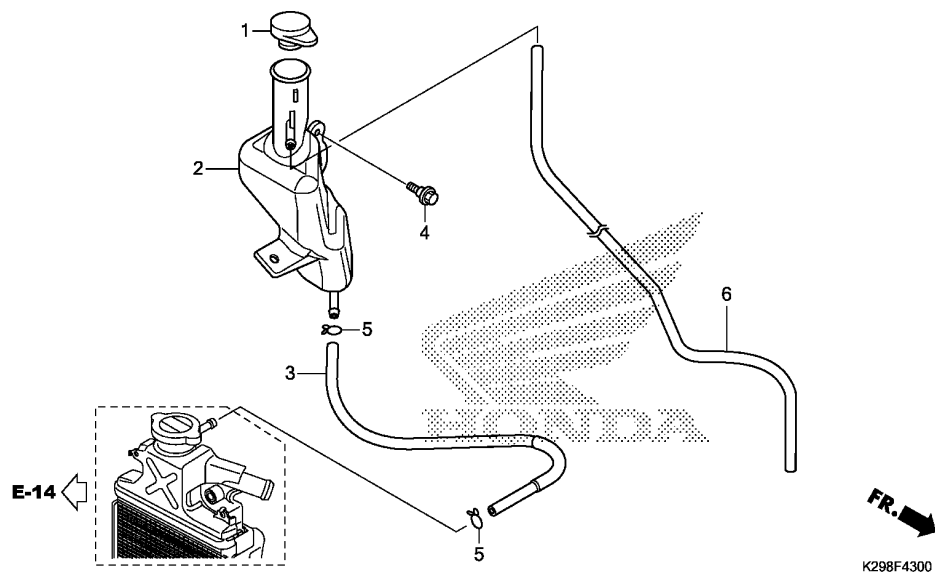


| Ref. No. | Part No.      | Description                    | Reqd. QTY |     | Serial No. | Parts catalogue code |
|----------|---------------|--------------------------------|-----------|-----|------------|----------------------|
|          |               |                                | ANC125    | E F |            |                      |
| 17       | 72148-SEA-900 | BATTERY COMP.(CR1220) .....    | 1         | 1   |            |                      |
|          |               |                                | (1)       | (1) |            |                      |
| 18       | 83551-GE2-000 | GROMMET, AIR CLEANER CASE ...  | 2         | 2   |            |                      |
| 19       | 90101-MT4-000 | SCREW, SCREEN SETTING .....    | 2         | -   |            |                      |
|          | 90101-KZR-C00 | .....                          | -         | 2   |            |                      |
| 20       | 90105-KVY-900 | BOLT, FLANGE, 10X270 .....     | 1         | 1   |            |                      |
| 21       | 90106-GCC-C50 | BOLT, FLANGE, 10X238 .....     | 1         | 1   |            |                      |
| 22       | 90111-MR5-000 | BOLT, SOCKET, 5X9 .....        | 1         | 1   |            |                      |
| 23       | 90164-KZL-A00 | SCREW, U-LOCK FLAT, 6X12 ..... | 2         | 2   |            |                      |
| 24       | 90304-KGH-901 | NUT, U, 10MM .....             | 2         | 2   |            |                      |
| 25       | 93901-24320   | SCREW, TAPPING, 4X12 .....     | 1         | 1   |            |                      |

**F-43**

**RESERVE TANK**

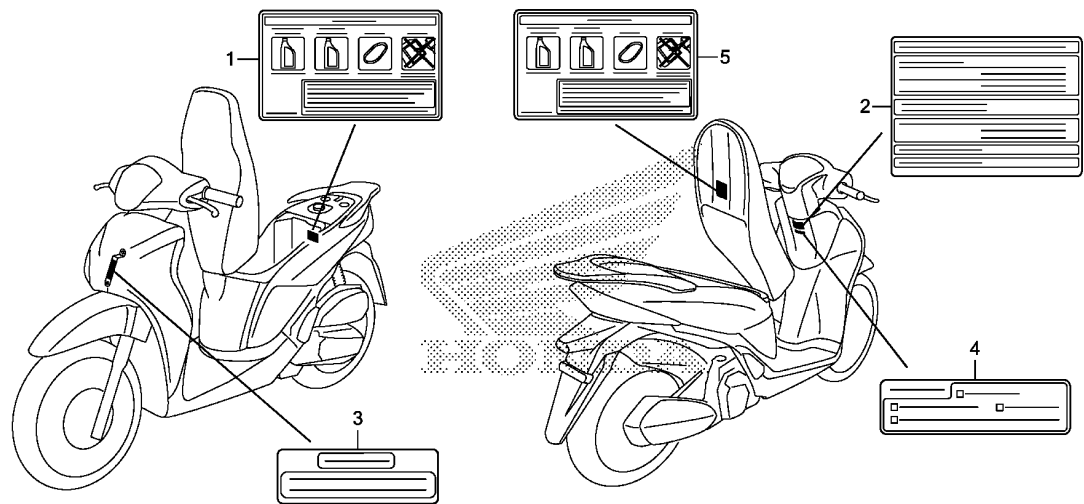
**H10**



| Ref. No. | L.O.N. | (Relative ref. Number) Description | F.R.T. |
|----------|--------|------------------------------------|--------|
| 2        | 115110 | TANK, RADIATOR RESERVE .....       | 0.3    |
| 3        | 1151E5 | TUBE, RADIATOR RESERVE TANK ..     | 0.3    |

| Ref. No. | Part No.       | Description                    | Reqd. QTY   |   | Serial No. | Parts catalogue code |
|----------|----------------|--------------------------------|-------------|---|------------|----------------------|
|          |                |                                | ANC125<br>E | F |            |                      |
| 1        | 19104-K29-900  | CAP, RESERVE TANK .....        | 1           | 1 |            |                      |
| 2        | 19111-K29-900  | TANK, RESERVE .....            | 1           | 1 |            |                      |
| 3        | 19118-K29-900  | HOSE, RESERVE TANK .....       | 1           | 1 |            |                      |
| 4        | 90116-KVB-900  | BOLT, FLANGE, 6MM .....        | 1           | 1 |            |                      |
| 5        | 95002-02100    | CLIP, TUBE(B10) .....          | 2           | 2 |            |                      |
| 6        | 95005-55700-20 | TUBE, 5.3X700(95005-55001-20M) | 1           | 1 |            |                      |

**3**

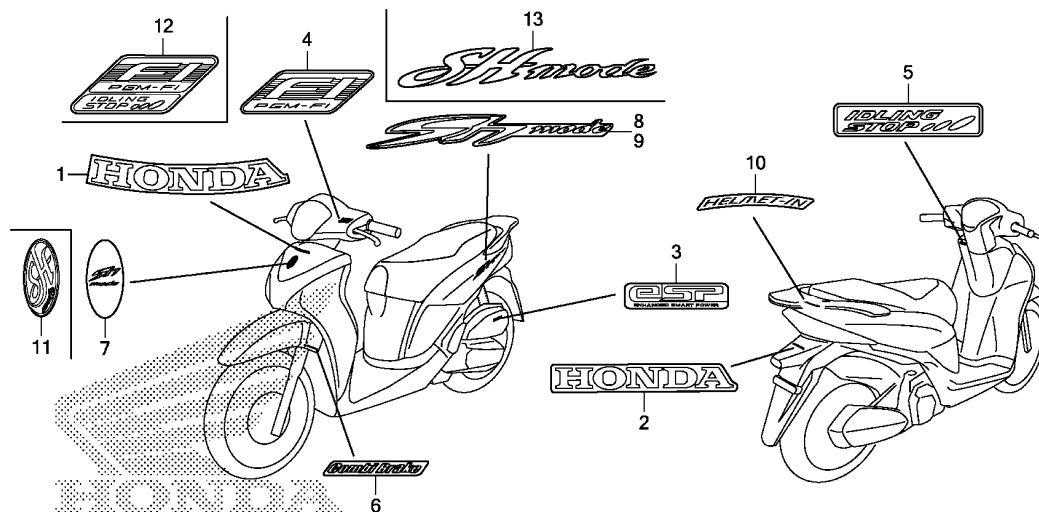


K298F4700A

|          |                               |             |        |
|----------|-------------------------------|-------------|--------|
| Ref. No. | L.O.N. (Relative ref. Number) | Description | F.R.T. |
|----------|-------------------------------|-------------|--------|

NO INFORMATION .....

| Ref. No. | Part No.      | Description                    | Reqd. QTY   |   | Serial No. | Parts catalogue code |
|----------|---------------|--------------------------------|-------------|---|------------|----------------------|
|          |               |                                | ANC125<br>E | F |            |                      |
| 1        | 87504-GGE-900 | LABEL, REPLACEMENT INFORMATION | 1           | - |            |                      |
| 2        | 87505-K29-900 | LABEL, TIRE .....              | 1           | 1 |            |                      |
| 3        | 87506-KTM-900 | MARK, BATTERY CAUTION .....    | 1           | 1 |            |                      |
| 4        | 87560-KVB-950 | LABEL, DRIVE CAUTION .....     | 1           | 1 |            |                      |
| 5        | 87504-GGE-900 | LABEL, REPLACEMENT INFORMATION | -           | 1 |            |                      |



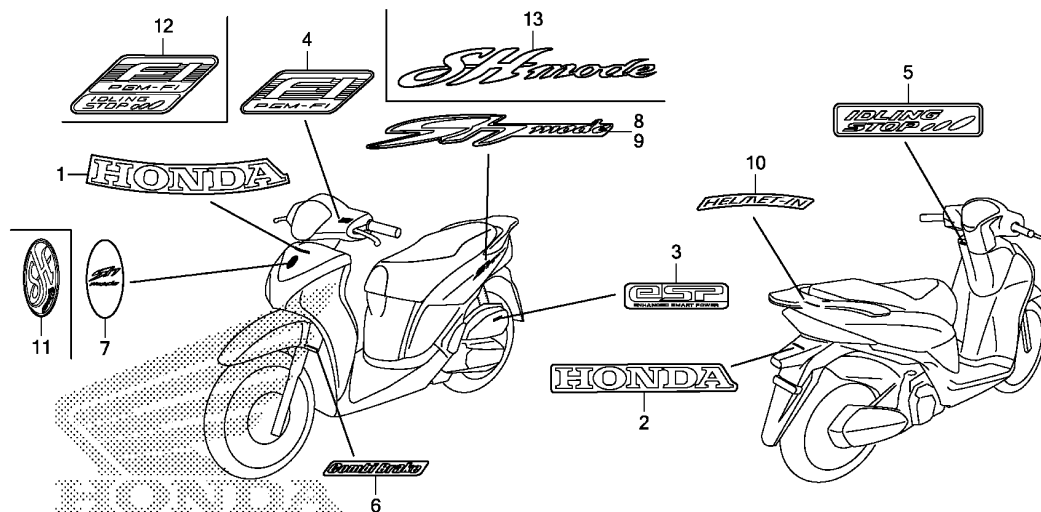
K298F4800A

Ref. L.O.N. (Relative ref. Number) F.R.T.  
No. Description

NO INFORMATION .....

3

| Ref. No. | Part No.        | Description           | Reqd. QTY |     | Serial No. | Parts catalogue code |
|----------|-----------------|-----------------------|-----------|-----|------------|----------------------|
|          |                 |                       | ANC125    | E F |            |                      |
| 1        | 86101-K29-900ZA | MARK (HONDA) (90MM)   |           |     |            |                      |
|          |                 | *TYPE2*               | 1         | -   |            |                      |
|          | 86101-K29-900ZB | *TYPE1*               | 1         | -   |            |                      |
|          | 86101-K29-910ZA | MARK (HONDA) (65MM)   |           |     |            |                      |
|          |                 | *TYPE2*               | -         | 1   |            |                      |
|          | 86101-K29-910ZB | *TYPE1*               | -         | 1   | -----      | V                    |
| 2        | 86102-K29-900ZA | MARK (HONDA) (75MM)   |           |     |            |                      |
|          |                 | *TYPE1*               | 1         | 1   |            |                      |
| 3        | 86170-KZR-600   | MARK, ENGINE          | 1         | 1   |            |                      |
| 4        | 86531-KYZ-710ZA | MARK (FI)             |           |     |            |                      |
|          |                 | *TYPE1*               | 1         | -   |            |                      |
| 5        | 86532-K01-930ZA | MARK, IDLE STOP       |           |     |            |                      |
|          |                 | *TYPE1*               | 1         | -   |            |                      |
| 6        | 86611-K01-900ZA | MARK (COMBI BRAKE)    |           |     |            |                      |
|          |                 | *TYPE2*               | 1         | -   |            |                      |
|          | 86611-K01-900ZB | *TYPE1*               | 1         | -   |            |                      |
|          | 86611-K29-910ZA | *TYPE2*               | -         | 1   |            |                      |
|          | 86611-K29-910ZB | *TYPE1*               | -         | 1   | -----      | V                    |
| 7        | 86642-K29-900ZA | MARK, FR. TOP         |           |     |            |                      |
|          |                 | *TYPE1*               | 1         | -   |            |                      |
| 8        | 86831-K29-900   | EMBLEM, R. BODY COVER | 1         | -   |            |                      |
| 9        | 86832-K29-900   | EMBLEM, L. BODY COVER | 1         | -   |            |                      |
| 10       | 86833-K29-900ZA | MARK (HELMET IN)      |           |     |            |                      |
|          |                 | *TYPE2*               | 1         | -   |            |                      |
|          | 86833-K29-900ZB | *TYPE1*               | 1         | -   |            |                      |
| 11       | 86642-K29-910ZA | MARK, FR. TOP         |           |     |            |                      |
|          |                 | *TYPE2*               | -         | 1   | -----      | 2V                   |



K298F4800A

| Ref. No. | Part No.        | Description          | Reqd. QTY |   | Serial No. | Parts catalogue code |
|----------|-----------------|----------------------|-----------|---|------------|----------------------|
|          |                 |                      | ANC125    | F |            |                      |
| 11)      | 86642-K29-910ZB | MARK, FR. TOP        |           |   |            |                      |
|          |                 | *TYPE1*              | -         | 1 | -----      | ----- V              |
| 12       | 86644-KZR-770ZA | MARK, FI IDLING STOP |           |   |            |                      |
|          |                 | *TYPE1*              | -         | 1 | -----      | -----                |
| 13       | 86831-K29-910ZA | EMBLEM, BODY COVER   |           |   |            |                      |
|          |                 | *TYPE2*              | -         | 2 | -----      | ----- 2V             |
|          | 86831-K29-910ZB | *TYPE1*              | -         | 2 | -----      | ----- V              |