

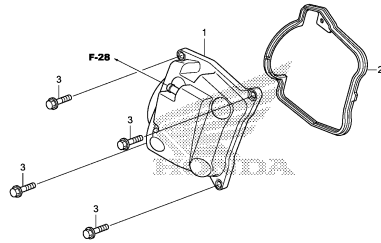
ENGINE GROUP

C13

E-2

CYLINDER HEAD COVER

E 1

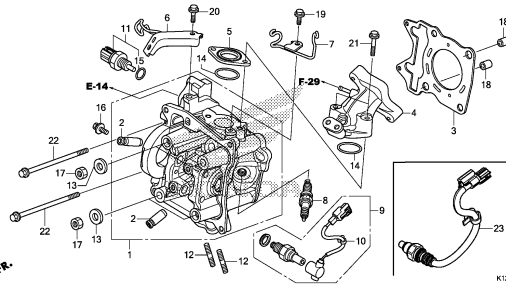


K12BE020

E-3

CYLINDER HEAD

E 2

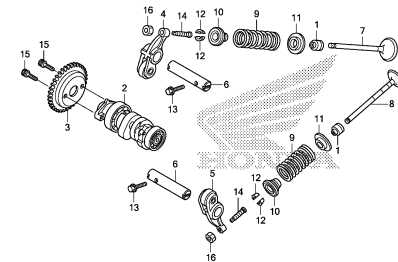


K12BE030A

E-4

CAMSHAFT/VALVE

E 4

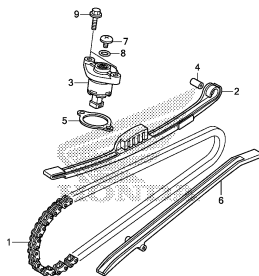


K12BE040A

E-5

CAM CHAIN/TENSIONER

E 6

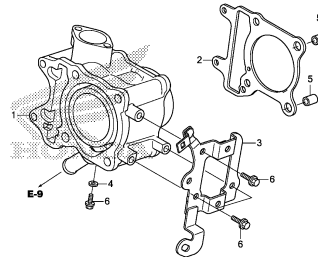


K12BE050

E-6

CYLINDER

E 7

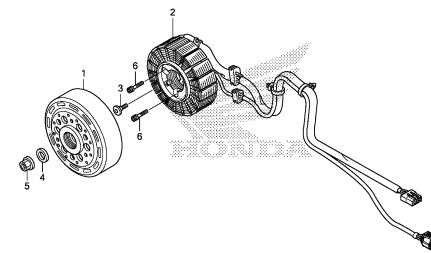


K12BE060

E-8

A.C.G. STARTER

E 8

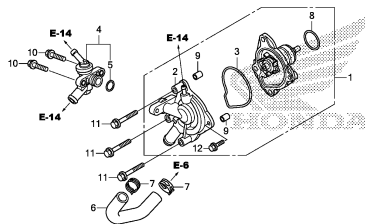


K12BE080

E-9

WATER PUMP

E 9

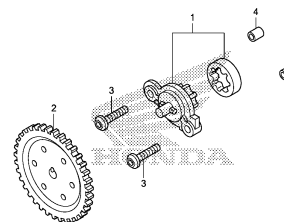


K12BE090

E-11

OIL PUMP

E10

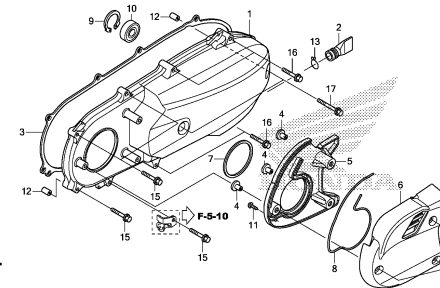


K12BE110

E-13

LEFT SIDE COVER

E11



K12BE130A

2

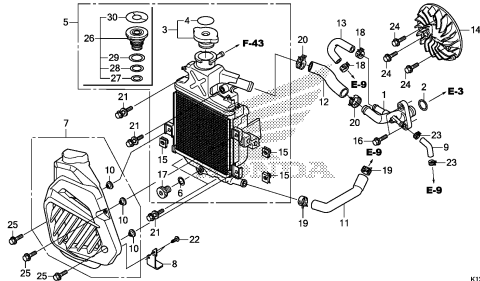
ENGINE GROUP

C14

E-14

RADIATOR

E12

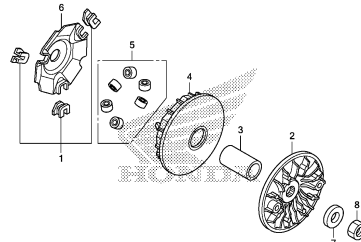


K12BE1400A

E-16

DRIVE FACE

E14

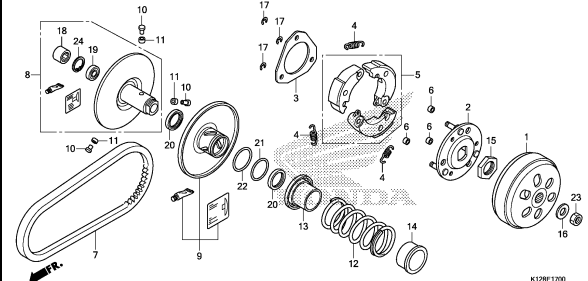


K12BE1600

E-17

DRIVEN FACE

E15

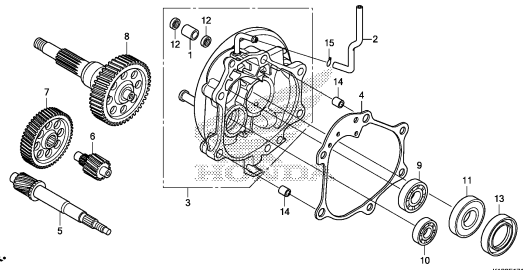


K12BE1700

E-17-10

TRANSMISSION

F 1

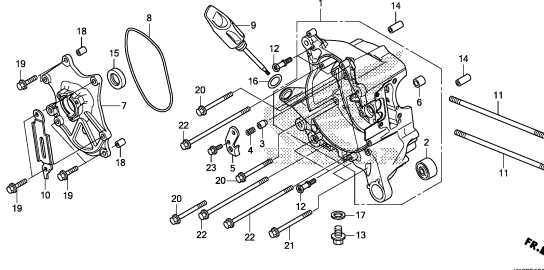


K12BE1710

E-19-10

RIGHT CRANKCASE

F 2

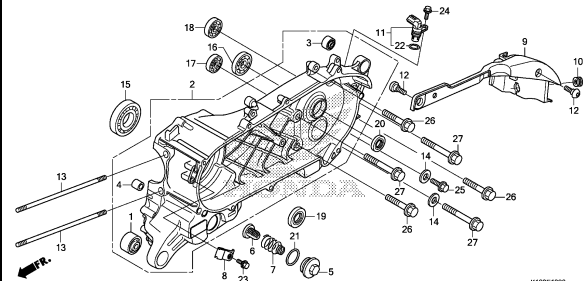


K12BE1910

E-19-20

LEFT CRANKCASE

F 4

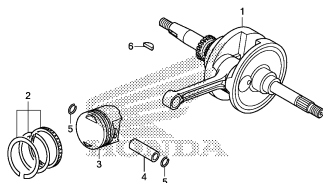


K12BE1920

E-20

CRANKSHAFT/PISTON

F 6

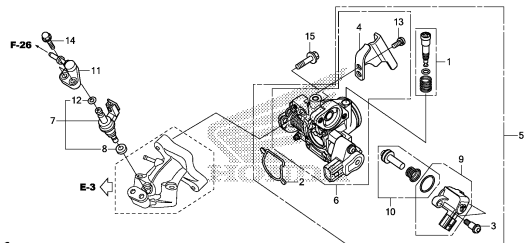


K12BE2000

E-22

THROTTLE BODY

F 7



K12BE2200

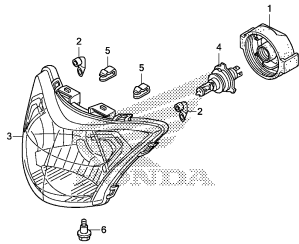
FRAME GROUP

C15

F-1

HEADLIGHT

G 1

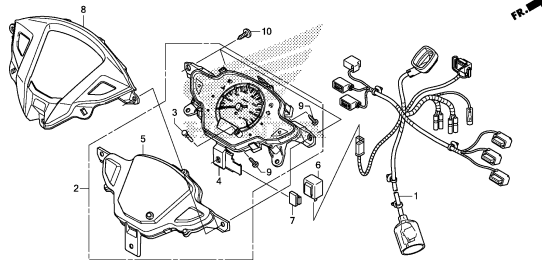


K12BF0100

F-2

METER

G 2

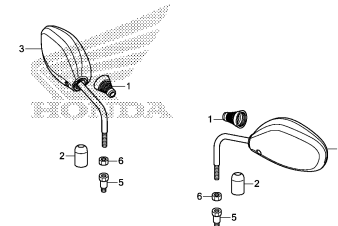


K12BF0200

F-3

MIRROR

G 3

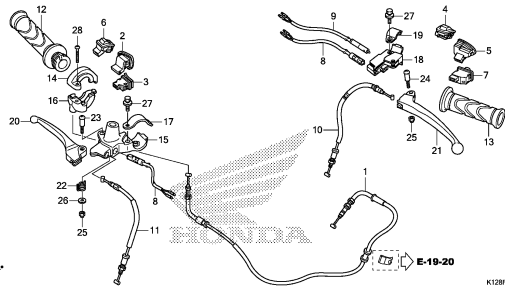


K12BF0300

F-4-10

HANDLE LEVER/SWITCH/CABLE

G 4

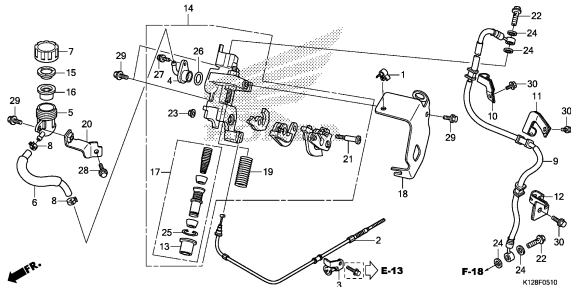


K12BF0410

F-5-10

BRAKE MASTER CYLINDER

G 6

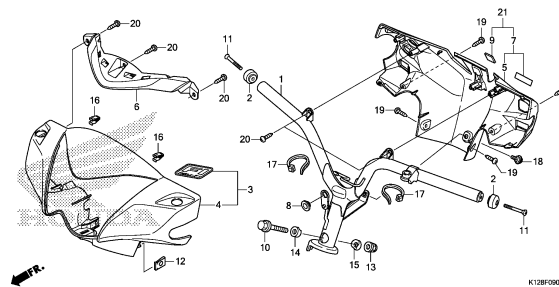


K12BF0510

F-9

HANDLE PIPE/HANDLE COVER

G 8

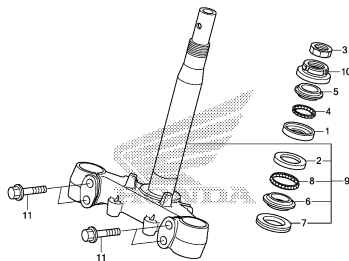


K12BF0900A

F-10

STEERING STEM

G11

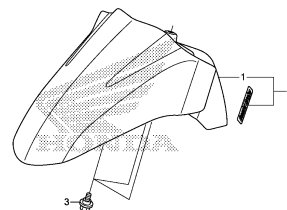


K12BF1000

F-11

FRONT FENDER

G12

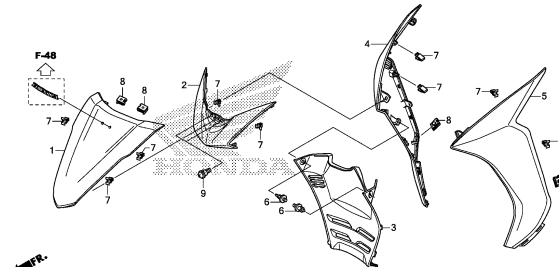


K12BF1100

F-12

FRONT COVER

G13



K12BF1200

3

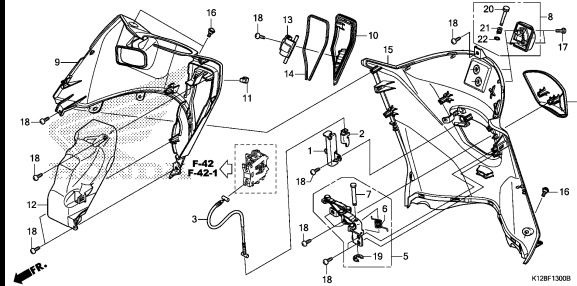
FRAME GROUP

C16

F-13

INNER COVER

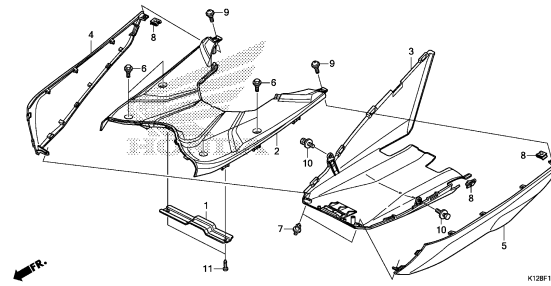
G15



F-14

FLOOR STEP

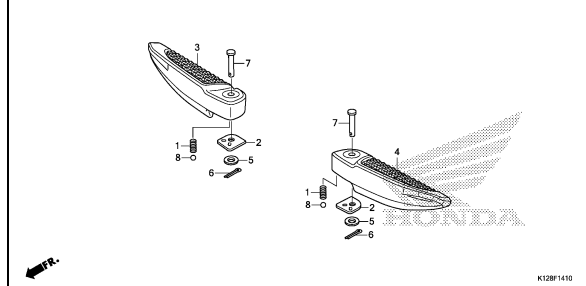
H 1



F-14-10

PILLION STEP

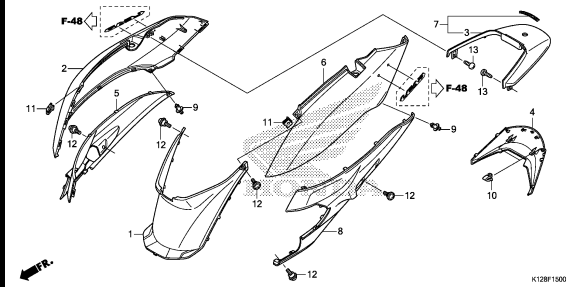
H 3



F-15

BODY COVER

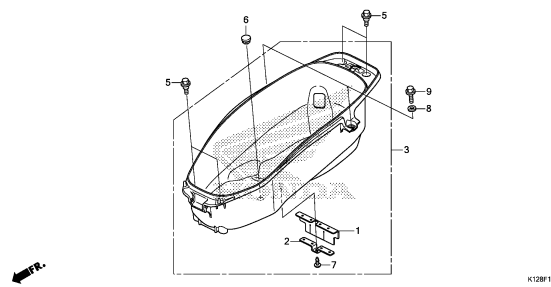
H 4



F-16

LUGGAGE BOX

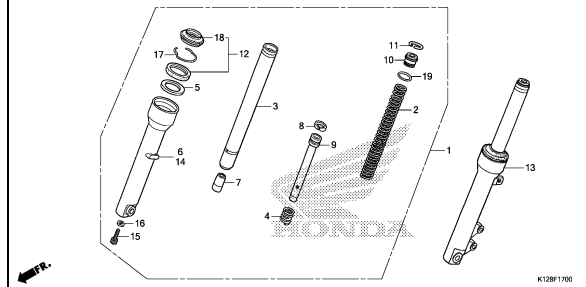
H 7



F-17

FRONT FORK

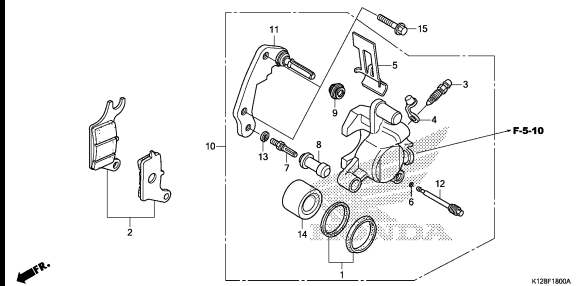
H 8



F-18

FRONT BRAKE CALIPER

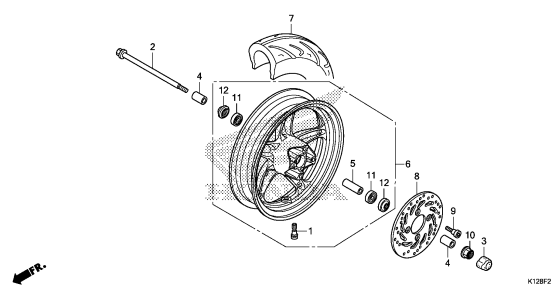
H 9



F-20-40

FRONT WHEEL

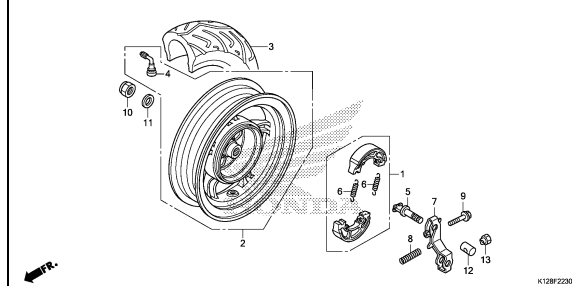
H10



F-22-30

REAR WHEEL

H11



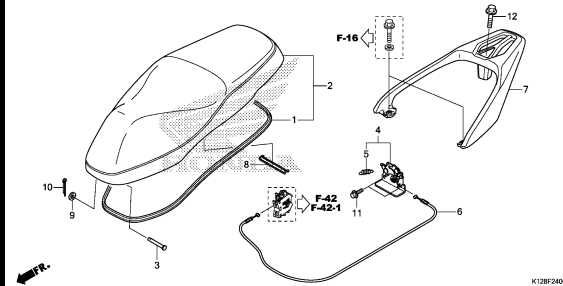
FRAME GROUP

D 1

F-24

SEAT

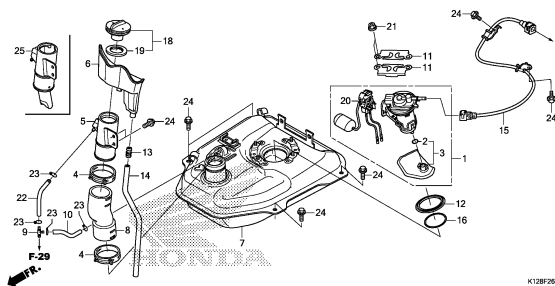
H12



F-26

FUEL TANK

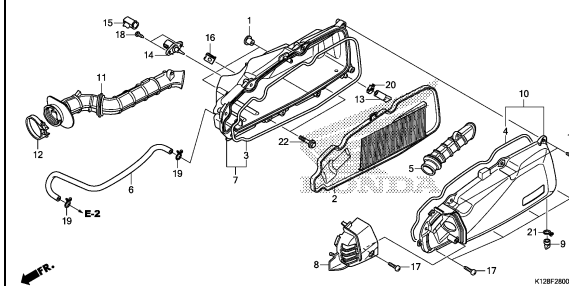
H13



F-28

AIR CLEANER

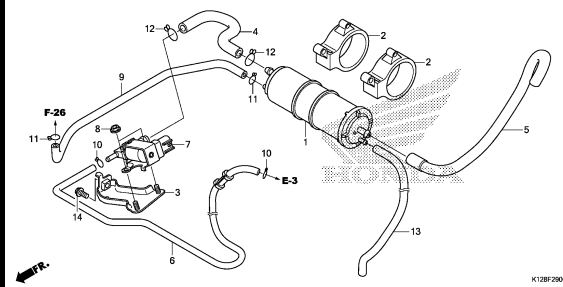
H15



F-29

CANISTER

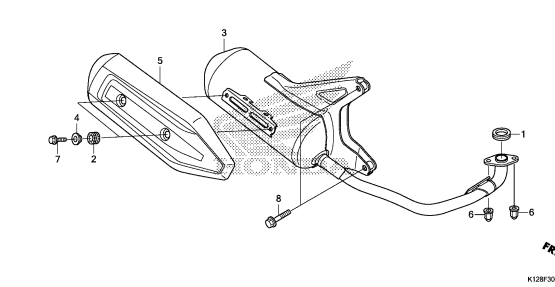
I 1



F-30

EXHAUST MUFFLER

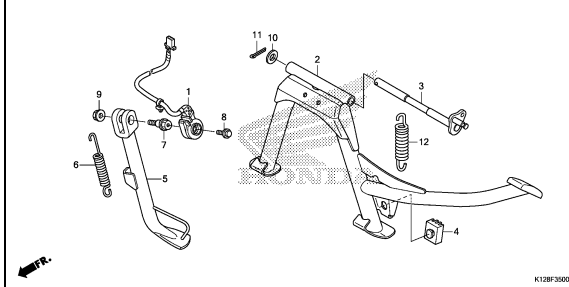
I 2



F-35

STAND

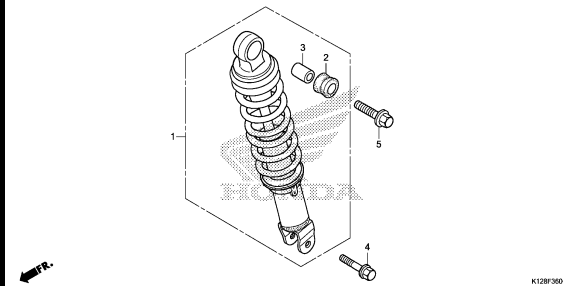
I 3



F-36

REAR CUSHION

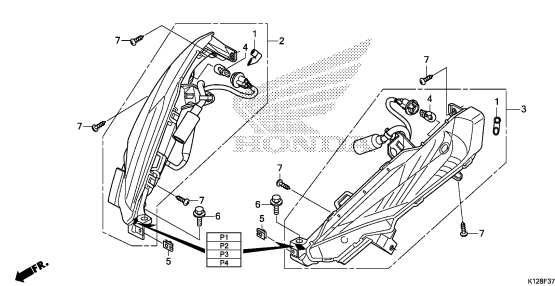
I 4



F-37-10

FRONT WINKER

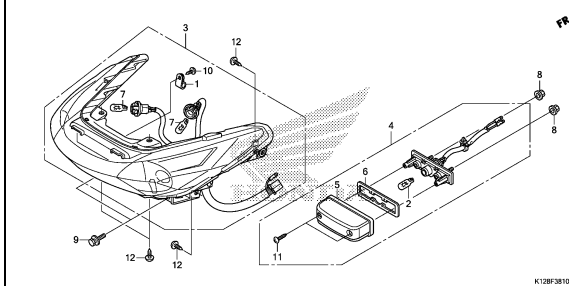
I 5



F-38-10

REAR COMBINATION LIGHT

I 6



3

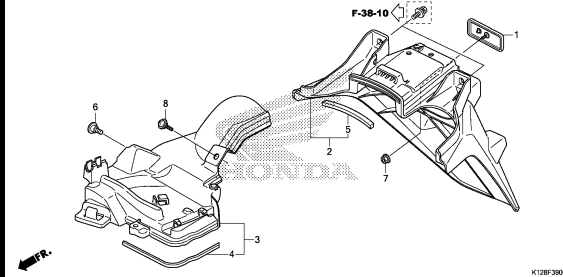
FRAME GROUP

D 2

F-39

REAR FENDER

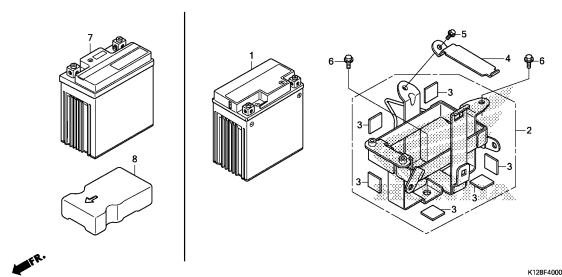
I 7



F-40

BATTERY

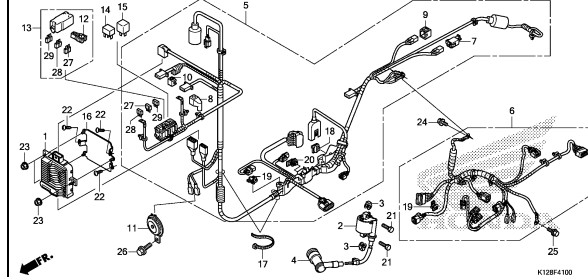
I 8



F-41

WIRE HARNESS

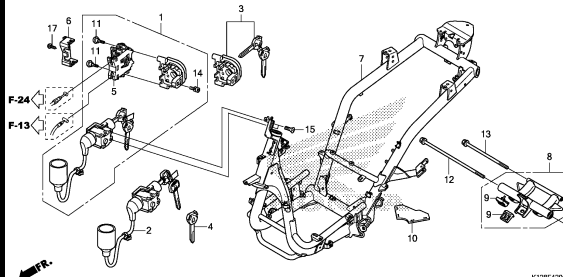
I 9



F-42

FRAME BODY(NHX125D)

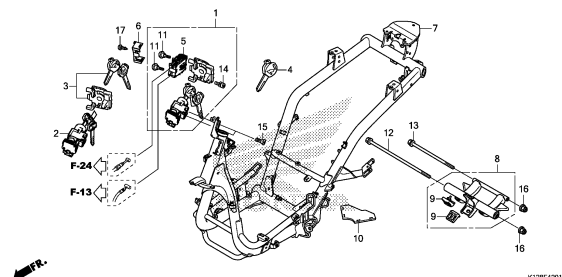
I 11



F-42-1

FRAME BODY(NHX125F)

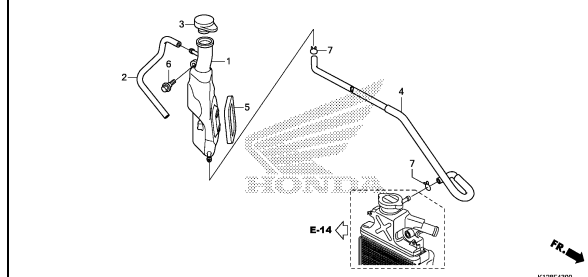
I 12



F-43

RESERVE TANK

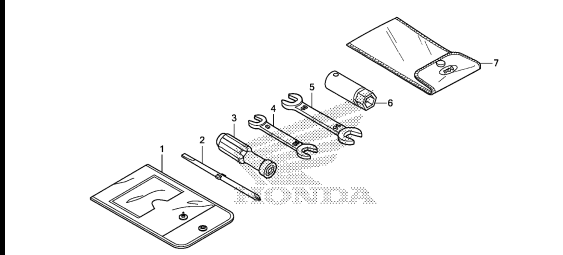
I 13



F-46

TOOLS

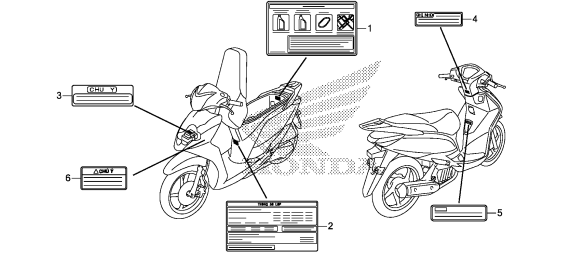
I 14



F-47

CAUTION LABEL

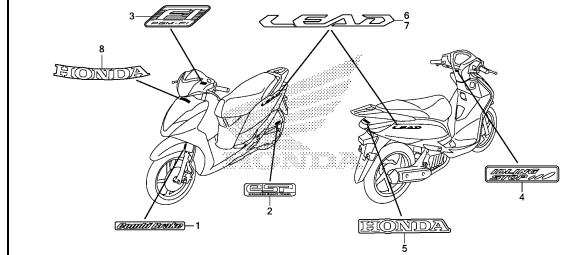
I 15



F-48

MARK/EMBLEM

I 16

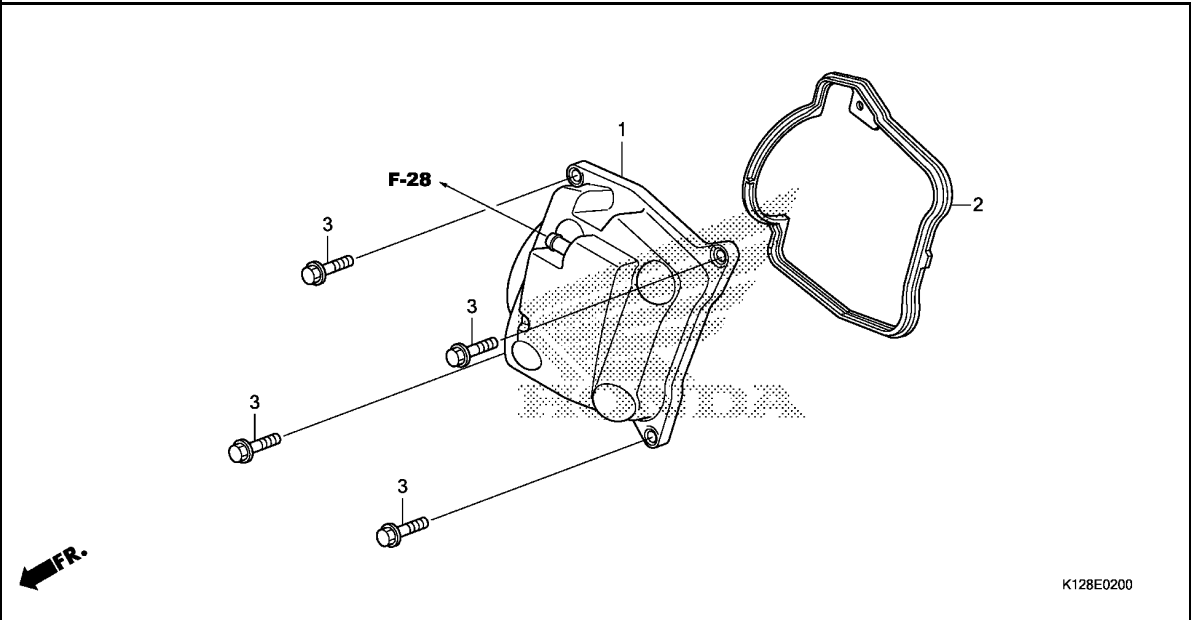


3

E-2

CYLINDER HEAD COVER

E 1

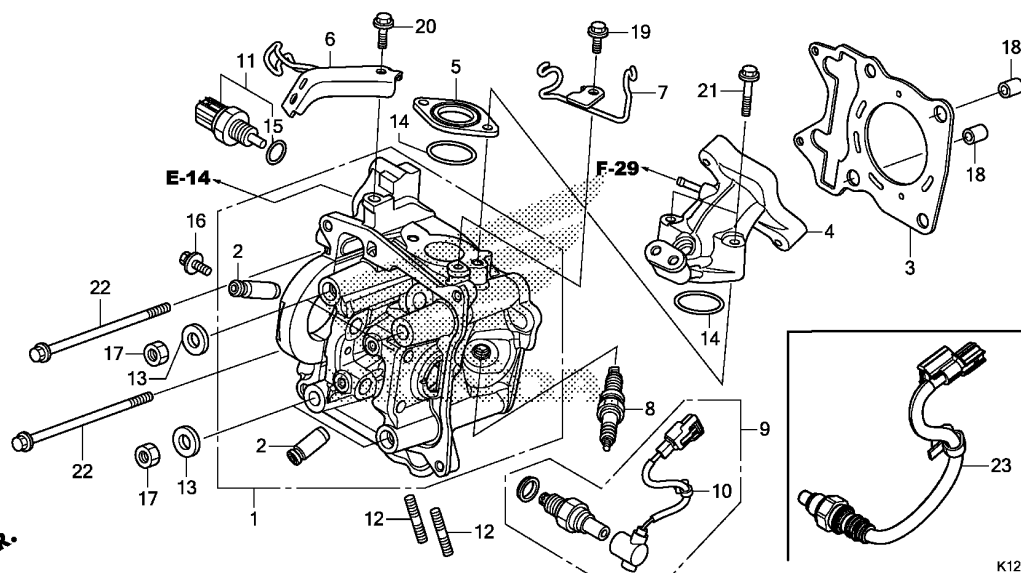


Ref. No.	L.O.N.	(Relative ref. Number) Description	F.R.T.
1	1111C4	COVER, CYLINDER HEAD	0.2
2	1111D2	GASKET, CYLINDER HEAD COVER ..	0.2

Ref. No.	Part No.	Description	Reqd. QTY		Serial No.	Parts catalogue code
			NHX125	D F		

1	12310-KZR-700	COVER COMP., CYLINDER HEAD ..	1	1		
2	12391-KZR-600	GASKET, CYLINDER HEAD COVER ..	1	1		
3	95701-06022-00	BOLT, FLANGE, 6X22	4	4		

2



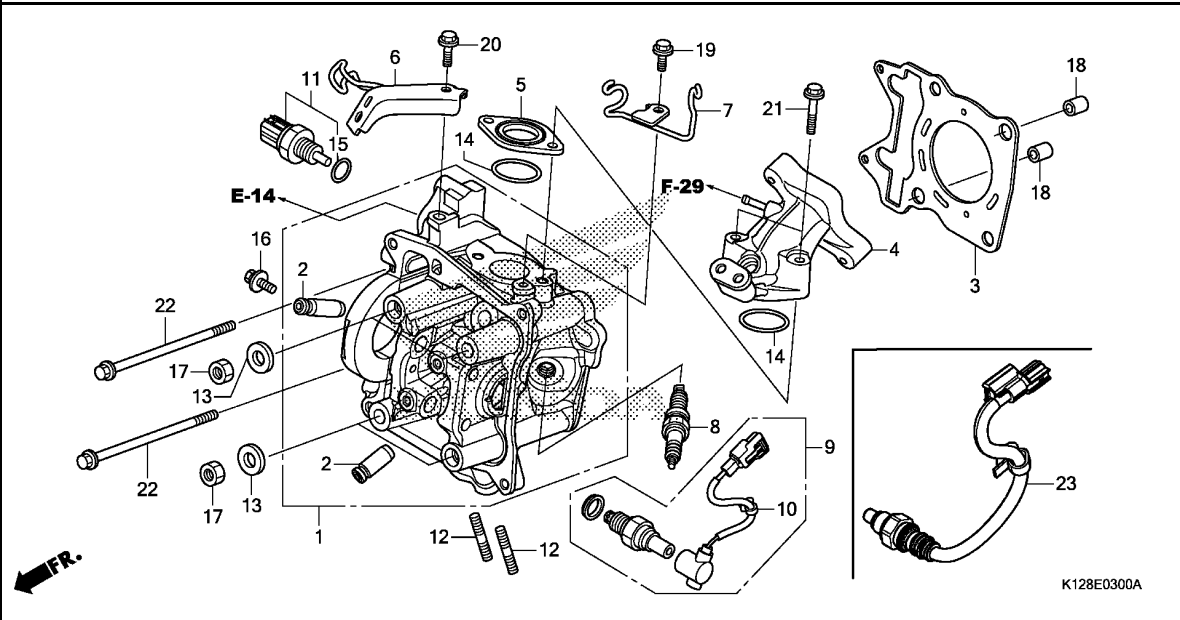
Ref. No.	L.O.N.	(Relative ref. Number) Description	F.R.T.
1	111106	HEAD, CYLINDERINCLUDES: Engine removal and installation .INCLUDES: Valve adjust and reface	3.3
2	1111L9	GUIDE, INTAKE VALVE(ONE)INCLUDES: Engine removal and installation .INCLUDES: Reaming .INCLUDES: Valve adjust and reface	3.3
	1111M0	GUIDE, EXHAUST VALVE(ONE)INCLUDES: Engine removal and installation .INCLUDES: Reaming .INCLUDES: Valve adjust and reface	3.3
	1111M9	GUIDE, VALVE :FOR 1 VEHICLE .. .INCLUDES: Engine removal and installation .INCLUDES: Reaming .INCLUDES: Valve adjust and reface	3.6
+ 3	111115	GASKET, CYLINDER HEAD	2.5

Ref. No.	Part No.	Description	Reqd. QTY		Serial No.	Parts catalogue code
			NHX125 D	F		
1	12010-KZR-601	HEAD ASSY., CYLINDER	1	-		
	12010-KZR-602	-	1		
2	12204-KWN-P00	GUIDE, VALVE(O.S.)	2	2		
3	12251-K12-901	GASKET, CYLINDER HEAD	1	1		
	12252-KWN-900	GASKET, CYLINDER HEAD(O.S.) ..	(1)	(1)		
4	17110-K12-900	PIPE COMP., IN.	1	1		
5	17119-KWN-710	INSULATOR, IN. PIPE	1	1		
6	17120-K12-900	STAY COMP., HOSE CLAMPER(A) ..	1	1		
7	17219-K12-900	CLAMP, BREATHER TUBE	1	1		
8	31917-KPH-901	PLUG, SPARK(CPR7EA-9)(NGK) ..	1	1		
	31927-KPH-901	PLUG, SPARK(U22EPR9)(DENSO) ..	1	1		
9	36532-KZR-601	SENSOR, OXYGEN	1	-		
10	36533-KZR-601	CORD COMP., OXYGEN SENSOR ...	1	-		
11	37870-KZR-601	SENSOR ASSY., WATER TEMP	1	1		
12	90004-KGF-910	BOLT, STUD, 7X17	2	2		
13	90483-KWN-900	WASHER, 8MM	4	4		
14	91301-KRJ-901	O-RING, 29X2	2	2		
15	91307-PLC-004	O-RING, 9.5X1.9(PANASONIC) ..	1	1		
16	93404-06012-00	BOLT-WASHER, 6X12	1	1		
17	94030-08280	NUT, HEX., 8MM	4	4		
18	94301-10160	DOWEL PIN, 10X16	2	2		
19	95701-06012-00	BOLT, FLANGE, 6X12	1	1		
20	95701-06014-00	BOLT, FLANGE, 6X14	1	1		
21	95701-06040-00	BOLT, FLANGE, 6X40	2	2		
22	95701-06095-00	BOLT, FLANGE, 6X95	2	2		
23	36532-K35-V01	SENSOR, OXYGEN	-	1		

E-3

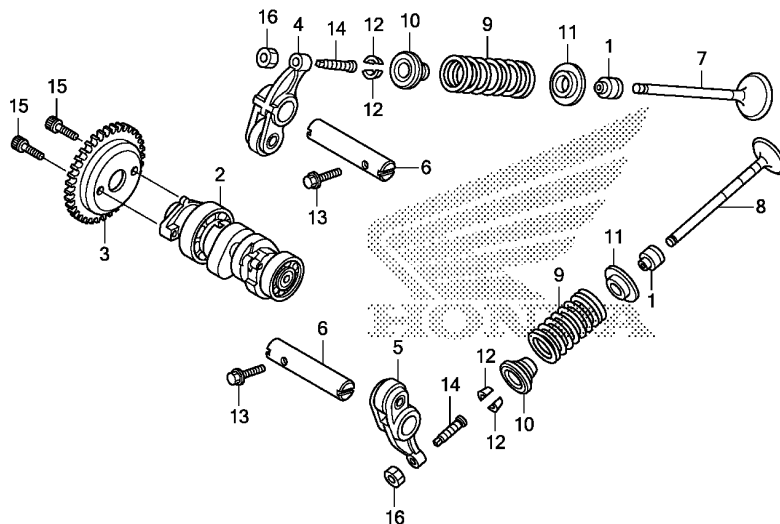
CYLINDER HEAD

E 3



Ref. No.	L.O.N.	(Relative ref. Number) Description	F.R.T.
+ 3		.INCLUDES: Engine removal and installation (5,14)	
4	111107	MANIFOLD, INTAKE	0.4
8	614130	PLUG, SPARK	0.2
9	617121	SENSOR, OXYGEN	0.3
10	6111P8	SUB CORD, OXYGEN SENSOR	0.2
11	6171A9	SENSOR, WATER TEMP	0.7

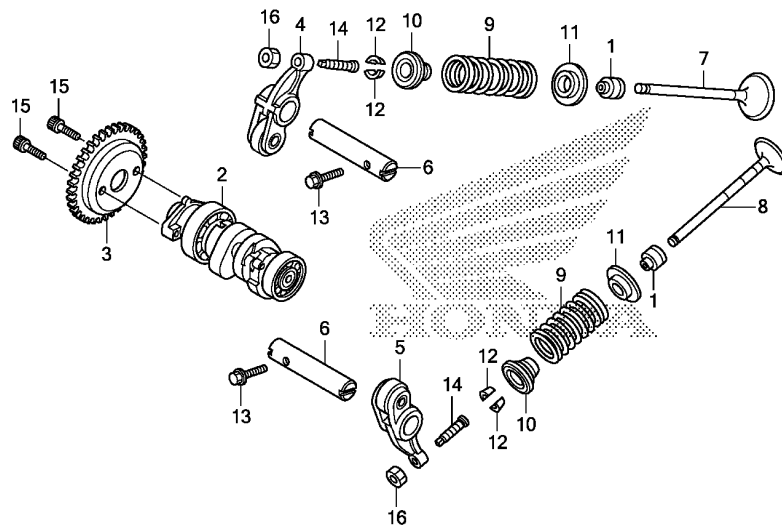




K128E0400A

Ref. No.	L.O.N.	(Relative ref. Number) Description	F.R.T.
2	111118	CAMSHAFTINCLUDES: Valve adjustment	1.4
3	1111Q4	SPROCKET, CAM	1.2
4	1111K8	ARM, INTAKE VALVE ROCKER(ONE) .INCLUDES: Valve adjustment (6)	1.3
5	1111K9	ARM, EXHAUST VALVE ROCKER(ONE) .INCLUDES: Valve adjustment (6)	1.3
	1111L8	ARM, VALVE ROCKER :FOR 1 VEHICLE	1.3
		.INCLUDES: Valve adjustment	
7	1111N0	VALVE, INTAKE(ONE)	2.9
		.INCLUDES: Engine removal and installation	
		.INCLUDES: Refacing	
8	1111N1	VALVE, EXHAUST(ONE)	2.9
		.INCLUDES: Engine removal and installation	
		.INCLUDES: Refacing	
	1111P0	VALVE :FOR 1 VEHICLE	3.1
		.INCLUDES: Engine removal and installation	
		.INCLUDES: Refacing	

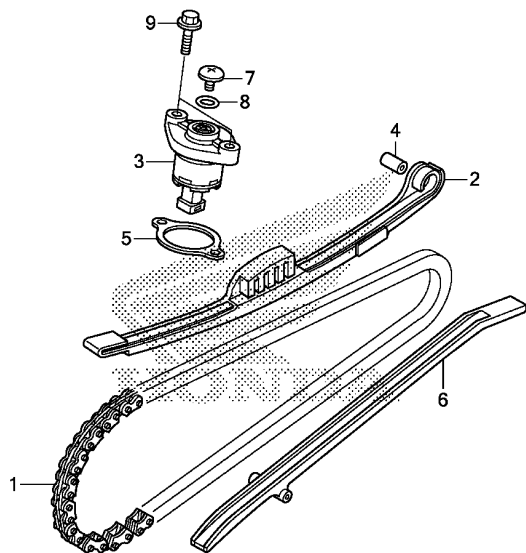
Ref. No.	Part No.	Description	Reqd. QTY		Serial No.	Parts catalogue code
			NHX125 D	F		
1	12209-GB4-681	SEAL, VALVE STEM(NOK)	2	2		
	12209-GB4-682	SEAL, VALVE STEM(ARAI)	2	-		
2	14100-KZR-601	CAMSHAFT COMP.	1	-		
	14100-K35-J00	-	1		
3	14321-KWN-900	SPROCKET, CAM(34T)	1	1		
4	14430-KZR-600	ARM COMP., IN. VALVE ROCKER -	1	1		
5	14440-KZR-600	ARM COMP., EX. VALVE ROCKER -	1	1		
6	14451-KZR-600	SHAFT, ROCKER ARM	2	2		
7	14711-KWN-900	VALVE, IN.	1	1		
8	14721-KWN-900	VALVE, EX.	1	1		
9	14751-KWN-900	SPRING, VALVE	2	2		
10	14771-KWN-900	RETAINER, VALVE SPRING	2	2		
11	14775-KZR-600	SEAT, VALVE SPRING	2	2		
12	14781-MA6-000	COTTER, VALVE	4	4		
13	90002-KWB-600	BOLT, FLANGE, 5X12	2	2		
14	90012-KWB-600	SCREW, TAPPET ADJUSTING	2	2		
15	90083-KVB-900	BOLT, SOCKET KNOCK, 5MM	2	2		
16	90206-001-000	NUT, TAPPET ADJUSTING	2	2		



K128E0400A

Ref. No.	L.O.N.	(Relative ref. Number) Description	F.R.T.
9		(1,10,11,12)	
1111P2		INTAKE VALVE SPRING AND/OR STEM SEAL(ONE)	2.7
		.INCLUDES: Engine removal and installation	
1111P3		EXHAUST VALVE SPRING AND/OR STEM SEAL(ONE)	2.7
		.INCLUDES: Engine removal and installation	
1111Q2		VALVE SPRING AND/OR STEM SEAL :FOR 1 VEHICLE	2.8
		.INCLUDES: Engine removal and installation	





K128E0500

Ref. No.	L.O.N.	(Relative ref. Number) Description	F.R.T.
1	110140	CHAIN, CAMINCLUDES: Engine removal and installation	3.0
2	111130	TENSIONER, CAM CHAININCLUDES: Engine removal and installation	3.0
3	111133	LIFTER, TENSIONER (5)	0.3
6	111139	GUIDE, CAM CHAININCLUDES: Engine removal and installation	2.5

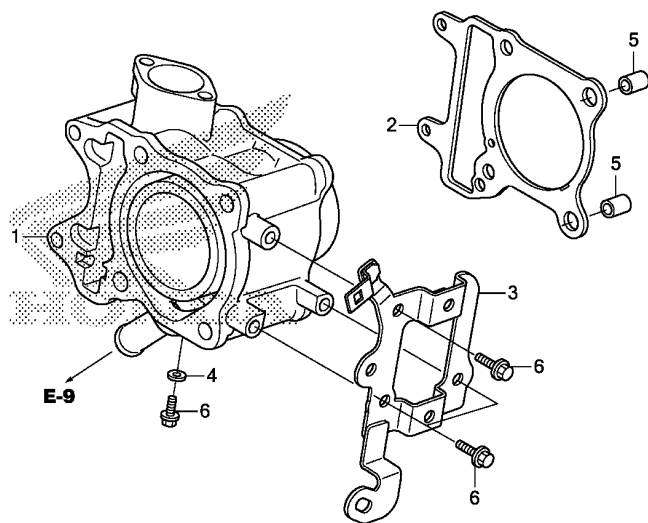
Ref. No.	Part No.	Description	Reqd. QTY		Serial No.	Parts catalogue code
			NHX125 D	F		
1	14401-KSS-931	CHAIN, CAM(92L)(DAIDO)	1	1		
2	14510-KZR-600	TENSIONER ASSY., CAM CHAIN ..	1	1		
3	14520-KZR-602	LIFTER ASSY., TENSIONER	1	1		
4	14531-KZR-600	PIVOT, CAM CHAIN TENSIONER ..	1	1		
5	14560-KZR-600	GASKET, TENSIONER LIFTER	1	1		
6	14611-K01-900	GUIDE, CAM CHAIN	1	1		
7	90005-KY7-000	SCREW, PAN, 6X6	1	1		
8	91306-MG3-000	O-RING, 1.5X9.5	1	1		
9	95701-06022-00	BOLT, FLANGE, 6X22	2	2		

2

E-6

CYLINDER

E 7

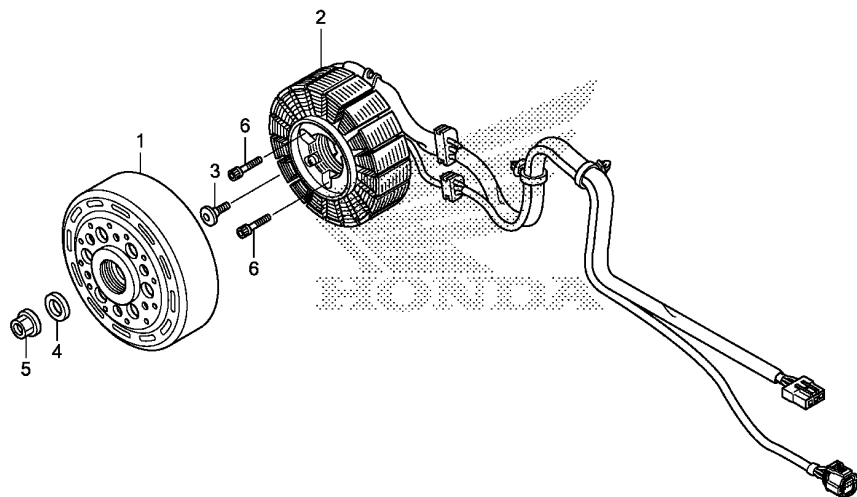


K128E0600

Ref. No.	L.O.N.	(Relative ref. Number) Description	F.R.T.
1	1111A5	CYLINDERINCLUDES: Engine removal and installation	2.9
2	111102	GASKET, CYLINDERINCLUDES: Engine removal and installation	2.8
3	6141C2	STAY, IGNITION COIL	0.3

Ref. No.	Part No.	Description	Reqd. QTY		Serial No.	Parts catalogue code
			NHX125 D	F		
1	12100-KZR-600	CYLINDER COMP.	1	1		
2	12191-KZR-600	GASKET, CYLINDER	1	1		
3	30515-KWN-710	STAY COMP., IGNITION COIL ...	1	1		
4	90463-ML7-000	WASHER, SEALING, 6.5MM	1	1		
5	94301-10160	DOWEL PIN, 10X16	2	2		
6	95701-06014-00	BOLT, FLANGE, 6X14	4	4		

2



K128E0800

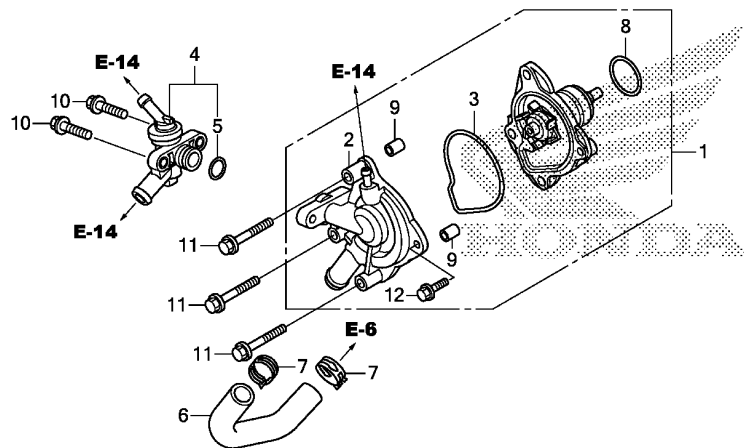
Ref. No.	L.O.N.	(Relative ref. Number) Description	F.R.T.
1	613105	ROTOR OR FLYWHEEL	0.7
2	6131A3	STATOR	1.0

Ref. No.	Part No.	Description	Reqd. QTY		Serial No.	Parts catalogue code
			NHX125 D	F		
1	31210-KZR-601	FLYWHEEL COMP.	1	1		
2	31220-K12-901	STATOR COMP.(MITSUBA)	1	-		
	31220-K12-931	-	1		
3	90001-KWR-000	BOLT, SOCKET, 6X18	1	1		
4	90439-KWZ-900	WASHER, 12X24X2.3	1	1		
5	94050-12000	NUT, FLANGE, 12MM	1	1		
6	96700-06025-00	BOLT, SOCKET, 6X25	3	3		

E-9

WATER PUMP

E 9

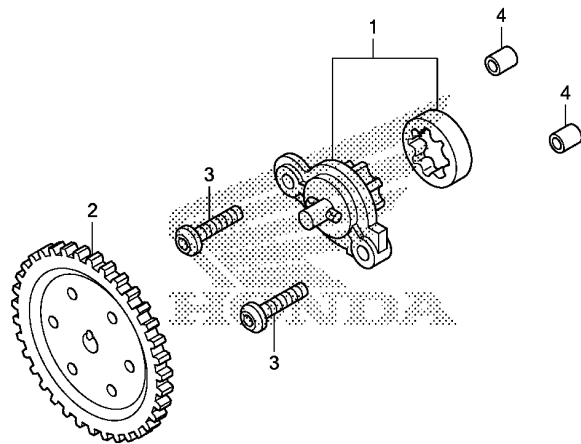


FR. →
K128E0900

Ref. No.	L.O.N.	(Relative ref. Number) Description	F.R.T.
1	114103	PUMP ASSY., WATER	0.8
2	1141B0	COVER, WATER PUMP	0.8
3	1141B1	GASKET, WATER PUMP COVER	0.8
4	114116	THERMOSTAT	0.9
6	114132	HOSE C, WATER	0.5

Ref. No.	Part No.	Description	Reqd. QTY		Serial No.	Parts catalogue code
			NHX125 D	F		
1	19200-KWN-901	PUMP ASSY., WATER	1	1		
2	19220-KWN-901	COVER COMP., WATER PUMP	1	1		
3	19226-KWN-900	GASKET, WATER PUMP COVER	1	1		
4	19300-KZR-601	THERMOSTAT ASSY.	1	-		
	19300-K59-A11	-	1		
5	19381-KWN-900	O-RING	1	1		
6	19503-KWN-900	HOSE C, WATER	1	1		
7	90701-KWN-901	CLAMP, WATER HOSE, 24MM	2	2		
8	91302-KWN-900	O-RING, 34X2	1	1		
9	94301-08100	DOWEL PIN, 8X10	2	2		
10	95701-06022-00	BOLT, FLANGE, 6X22	2	2		
11	95701-06040-00	BOLT, FLANGE, 6X40	3	3		
12	96001-06016-00	BOLT, FLANGE, 6X16	1	1		





FR. K128E1100

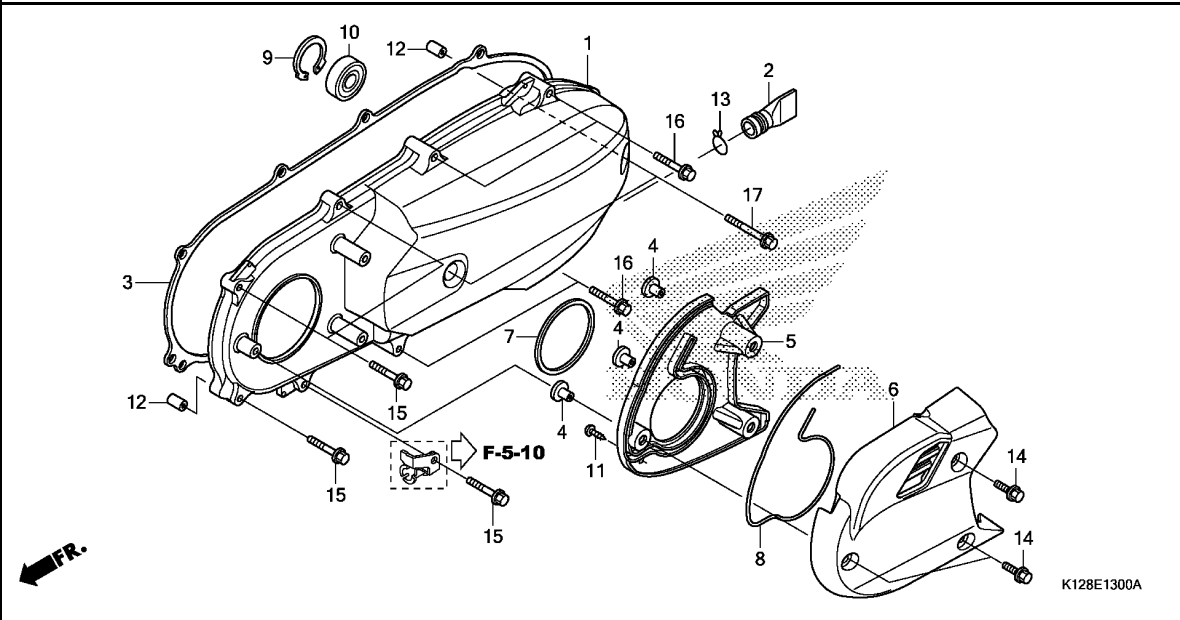
Ref. No.	L.O.N.	(Relative ref. Number) Description	F.R.T.
1	113105	PUMP ASSY., OIL	1.0
2	1131C4	GEAR, OIL PUMP DRIVEN	0.9

Ref. No.	Part No.	Description	Reqd. QTY		Serial No.	Parts catalogue code
			NHX125 D	F		
1	15010-KWN-900	PUMP SET, OIL	1	1		
2	15133-KWN-900	GEAR, OIL PUMP DRIVEN(35T) ..	1	1		
3	90003-KWN-900	BOLT, SPECIAL, 6X23.5	2	2		
4	94301-08100	DOWEL PIN, 8X10	2	2		

E-13

LEFT SIDE COVER

E11



Ref. No.	L.O.N.	(Relative ref. Number) Description	F.R.T.
1	1101A6	COVER, CRANKCASE :LEFT	0.5
3	1101A3	GASKET, CRANKCASE COVER :LEFT	0.3
6		(5,7,8)	
	1101H4	DUCT, BELT COVER	0.1
10	2101H8	BEARING, DRIVESHAFT :LEFT COVER SIDE	0.5

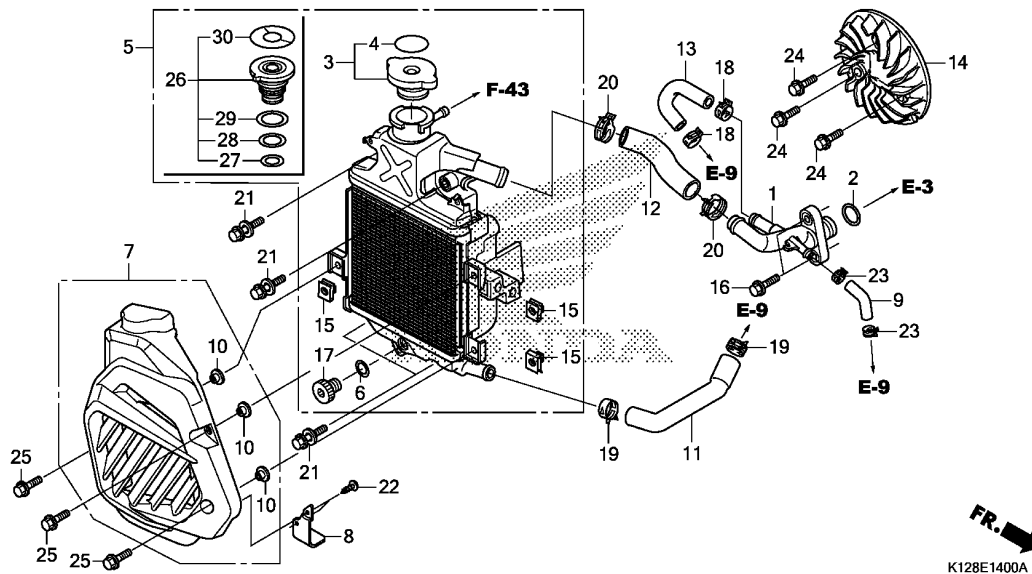
Ref. No.	Part No.	Description	Reqd. QTY		Serial No.	Parts catalogue code
			NHX125 D	F		
1	11340-K12-900	COVER COMP., L. SIDE	1	1		
2	11343-KVG-900	TUBE, DRAIN	1	1		
3	11395-K12-900	GASKET, L. COVER	1	1		
4	19416-KEY-900	COLLAR	3	3		
5	19641-KWN-710	DUCT, L. COVER	1	1		
6	19642-KWN-710	CAP, L. COVER	1	1		
7	19645-KWN-900	SEAL, BELT COVER DUCT	1	1		
8	19649-KWN-710	SEAL, L. COVER DUCT	1	1		
9	90652-KVB-900	CIRCLIP, INTERNAL, 32MM	1	1		
10	91005-KVB-900	BEARING COMP. (6002UU) (NTN) ..	1	1		
11	93903-24480	SCREW, TAPPING, 4X16	1	1		
12	94301-08140	DOWEL PIN, 8X14	2	2		
13	95002-80000	CLIP, TUBE(C12)	1	1		
14	96001-06018-07	BOLT, FLANGE, 6X18	3	3		
15	96001-06028-00	BOLT, FLANGE, 6X28	4	4		
16	96001-06040-00	BOLT, FLANGE, 6X40	4	4		
17	96001-06065-00	BOLT, FLANGE, 6X65	2	2		



E-14

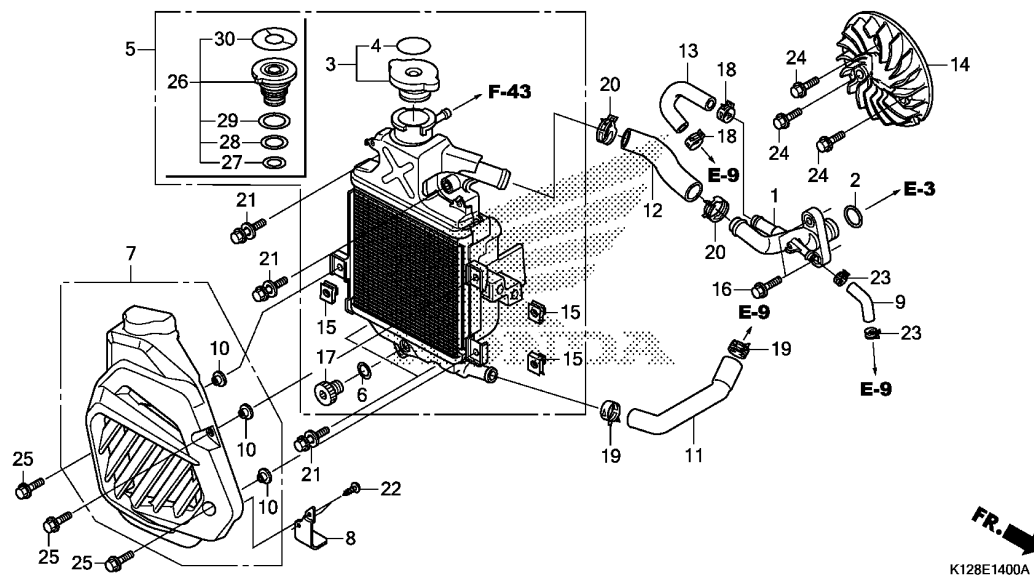
RADIATOR

E12

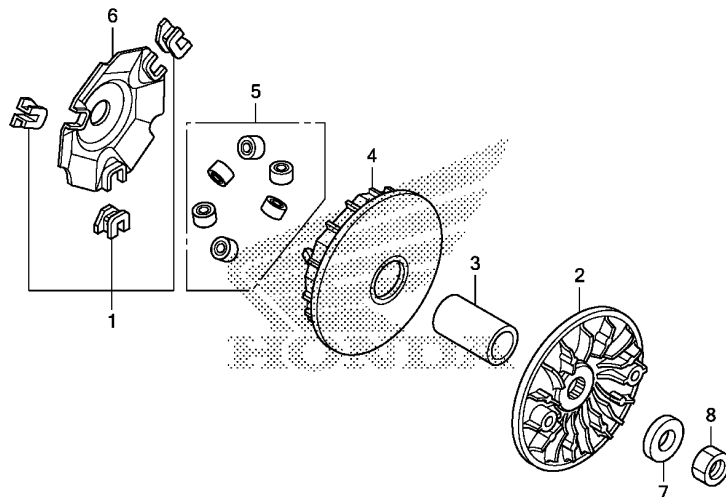


Ref. No.	L.O.N.	(Relative ref. Number) Description	F.R.T.
1	1151L2	JOINT, 3WAY HOSE	0.8
3	1151B8	CAP, RADIATOR	0.2
5		(26)	
	1151C3	RADIATOR	0.6
7	115115	COVER, RADIATOR	0.2
9	1141H9	TUBE, AIR BREATHER	0.5
11	114130	HOSE A, WATER	0.5
12	114131	HOSE B, WATER	0.5
13	1141B4	HOSE, WATER BYPASS	0.7
14	1151A6	FAN, COOLING	0.6

Ref. No.	Part No.	Description	Reqd. QTY		Serial No.	Parts catalogue code
			NHX125 D	F		
1	12206-KZR-600	JOINT COMP., WATER HOSE	1	1		
2	12207-KWN-900	O-RING, 15.4X2	1	1		
3	19037-KVB-902	CAP COMP., RADIATOR(T.RAD) ..	1	-		
4	19046-KVB-902	LABEL, RADIATOR CAP(T.RAD) ..	1	-		
5	19100-K12-900	RADIATOR ASSY.	1	-		
	19100-K12-930	-	1		
6	19109-GET-003	SEAL, DRAIN	1	1		
7	19150-K27-V00	COVER COMP., RADIATOR	1	-		
	19150-K27-V50	-	1		
8	19152-K12-900	STAY, HEAT GUARD	1	1		
9	19332-KWN-900	TUBE, AIR BREATHER	1	1		
10	19416-KEY-900	COLLAR	3	3		
11	19501-KZR-600	HOSE A, WATER	1	1		
12	19502-KZR-600	HOSE B, WATER	1	1		
13	19504-KZR-600	HOSE, BYPASS	1	1		
14	19510-KZR-700	FAN COMP., COOLING	1	1		
15	84601-HA7-670	NUT, FENDER SETTING	3	3		
16	90004-GHB-660	BOLT, FLANGE, 6X22(NSHF)	2	2		
17	90103-GET-003	BOLT, DRAIN	1	1		
18	90601-K27-V01	CLAMP, HOSE(D15.5)	2	2		
19	90602-K27-V01	CLAMP, HOSE(D20)	2	2		
20	90701-KWN-901	CLAMP, WATER HOSE, 24MM	2	2		
21	93401-06025-08	BOLT-WASHER, 6X25	4	4		
22	93903-24320	SCREW, TAPPING, 4X12	2	2		
23	95002-41050-08	CLAMP, TUBE(D10.5)	2	2		



Ref. No.	Part No.	Description	Reqd. QTY		Serial No.	Parts catalogue code
			NHX125 D	F		
24	95701-06016-00	BOLT, FLANGE, 6X16	3	3		
25	96001-06016-07	BOLT, FLANGE, 6X16	3	3		
26	19037-K27-V51	CAP COMP., RADIATOR	-	1		
27	19049-K27-V51	O-RING A	-	1		
28	19051-K27-V51	O-RING B	-	1		
29	19052-K27-V51	O-RING C	-	1		
30	19055-K27-V51	LABEL, RADIATOR CAP	-	1		

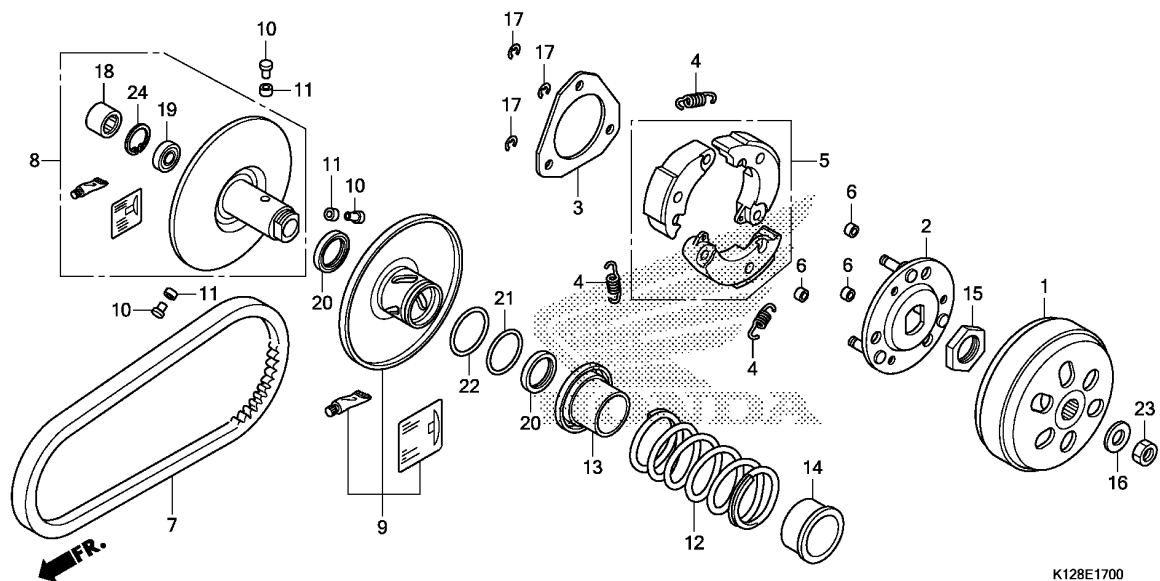


FR.

K128E1600

Ref. No.	L.O.N.	(Relative ref. Number) Description	F.R.T.
2	2111A0	FACE, DRIVE	0.5
4	2111A1	FACE, MOVABLE DRIVE	0.5
5		(1,6)	
	2111A4	ROLLER, WEIGHT	0.5

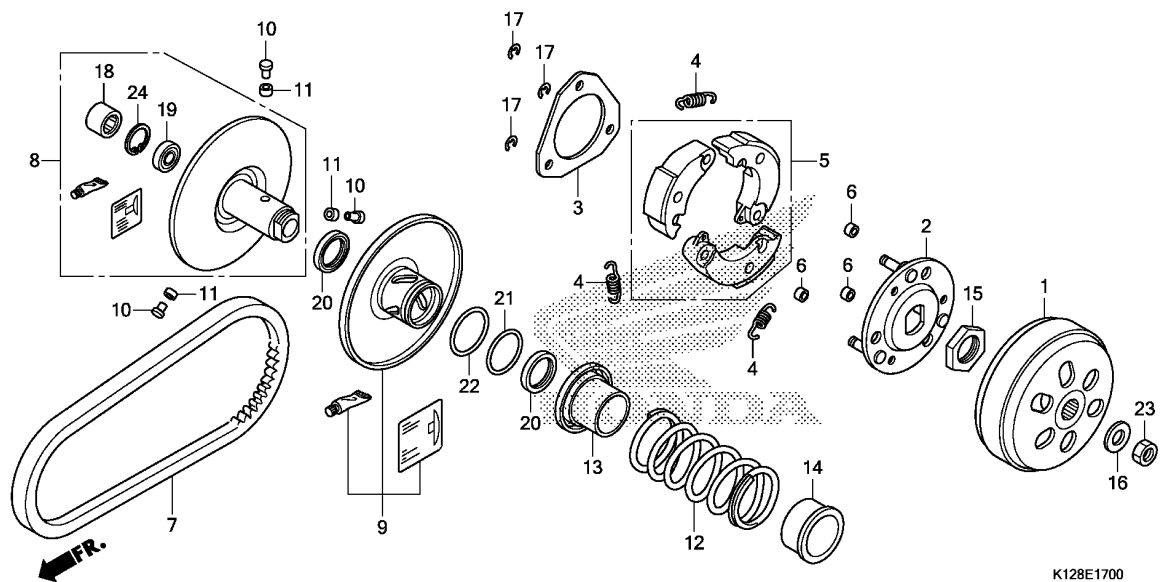
Ref. No.	Part No.	Description	Reqd. QTY		Serial No.	Parts catalogue code
			NHX125 D	F		
1	22011-KWN-900	PIECE SET, SLIDE	1	1		
2	22102-KZR-600	FACE, DRIVE	1	1		
3	22105-KWN-900	BOSS, DRIVE FACE	1	1		
4	22110-KZR-601	FACE COMP., MOVABLE DRIVE ...	1	1		
5	22123-KWN-710	ROLLER SET, WEIGHT	1	-		
	22123-K12-930	-	1		
6	22131-KWN-900	PLATE, RAMP	1	1		
7	90401-KWN-900	WASHER, 15X29X7	1	1		
8	94030-14200	NUT, HEX., 14MM	1	1		



Ref. No.	L.O.N.	(Relative ref. Number) Description	F.R.T.
1	2121A0	OUTER, CLUTCH	0.4
5		(2,4)	
5	2121A6	WEIGHT SET, CLUTCH	0.9
7	2111B2	BELT, DRIVE	0.5
8		(10,11,13)	
8	2111A2	FACE, DRIVEN	0.8
9		(20,21,22)	
9	2111A3	FACE, MOVABLE DRIVEN	0.9
12		(14)	
12	2111A7	SPRING, DRIVEN FACE	0.7
18		(19)	
18	2111A8	BEARING, DRIVEN FACE	1.0
	2111A8A	.Replace 1 bearing add	0.1

Ref. No.	Part No.	Description	Reqd. QTY		Serial No.	Parts catalogue code
			NHX125 D	F		
1	22100-K27-V01	OUTER COMP., CLUTCH(F.C.C.)	1	1		
2	22350-KVB-900	PLATE COMP., DRIVE	1	1		
	22350-GFM-900	-	1		
3	22361-KVB-900	PLATE, CLUTCH SIDE	1	1		
4	22401-KGF-912	SPRING, CLUTCH	3	-		
	22401-KVB-900	-	3		
5	22535-KWN-900	WEIGHT SET, CLUTCH	1	-		
	22535-K35-V00	-	1		
6	22804-148-000	RUBBER, CLUTCH DAMPER	3	3		
7	23100-KZR-601	BELT, DRIVE(BANDO)	1	1		
8	23205-K27-V00	FACE SET, DRIVEN(F.C.C.)	1	1		
9	23224-K27-V00	FACE SET, MOVABLE DRIVEN (F.C.C.)	1	1		
10	23225-KSY-900	PIN, ROLLER GUIDE	3	3		
11	23226-KVB-900	ROLLER, GUIDE	3	3		
12	23233-KZR-600	SPRING, DRIVEN FACE	1	1		
13	23237-KWN-900	COLLAR, SEAL	1	1		
14	23238-KZR-600	COLLAR, SPRING	1	1		
15	90202-KN7-670	NUT, SPECIAL, 28MM	1	1		
16	90441-GY6-940	WASHER, 12.2X29X2.5	1	1		
17	90605-166-720	CIRCLIP, 7MM	3	3		
18	91001-KCW-003	BEARING, NEEDLE, 20X29X18 (NTN)	1	1		
	91109-KVY-901	BEARING, NEEDLE, 20X29X18 (SCHAEFFLER)	1	1		
19	91002-GA7-701	BEARING, RADIAL BALL, 6902U (NTN)	1	1		



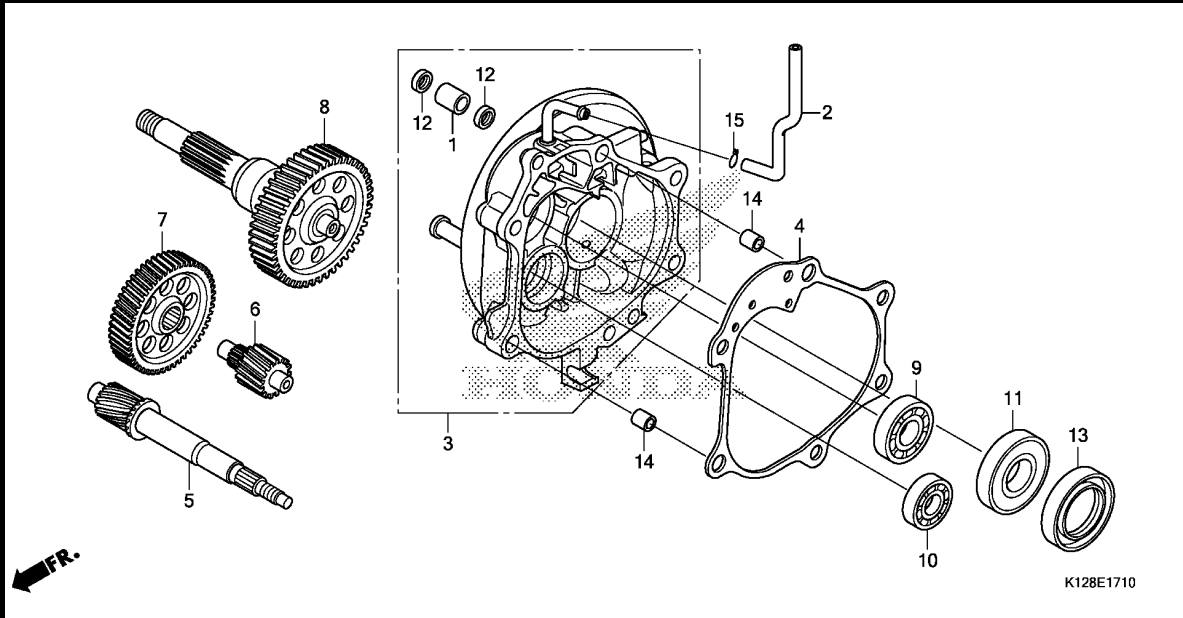


Ref. No.	Part No.	Description	Reqd. QTY		Serial No.	Parts catalogue code
			NHX125 D	F		
19)	91009-KVY-961	BEARING, RADIAL BALL, 6902U (NSK)	1	1		
20	91211-KN7-671	SEAL, DRIVEN FACE, 34X41X4 ..	2	2		
21	91351-642-000	O-RING, PINION CAP	1	1		
22	91351-GR1-000	O-RING, 38.5X2	1	1		
23	94030-12200	NUT, HEX., 12MM	1	1		
24	94520-28000	CIRCLIP, INTERNAL, 28MM	1	1		

E-17-10

TRANSMISSION

F 1



Ref. No.	L.O.N.	(Relative ref. Number) Description	F.R.T.
3	2101A2	CASE, TRANSMISSION	1.3
4	2101A3	GASKET, TRANSMISSION CASE	0.9
5	2101E9	SHAFT, DRIVE	1.2
6	210142	COUNTERSHAFT, TRANSMISSION ...	0.9
7	2101A5	GEAR, COUNTER	0.9
8	210170	SHAFT, FINAL GEAR	0.9
9	2101F1	BEARING, DRIVESHAFT :RIGHT ...	1.1
	2101J1	BEARING, DRIVESHAFT :BOTH	1.3
10	2101C8	BEARING, COUNTERSHAFT :RIGHT ..	1.1
	2101C9	BEARING, COUNTERSHAFT :BOTH ..	1.2
11		(13)	
	2101E6	BEARING, FINAL GEAR SHAFT	
		:RIGHT	1.1
	2101J0	BEARING, FINAL GEAR SHAFT	
		:BOTH	1.2

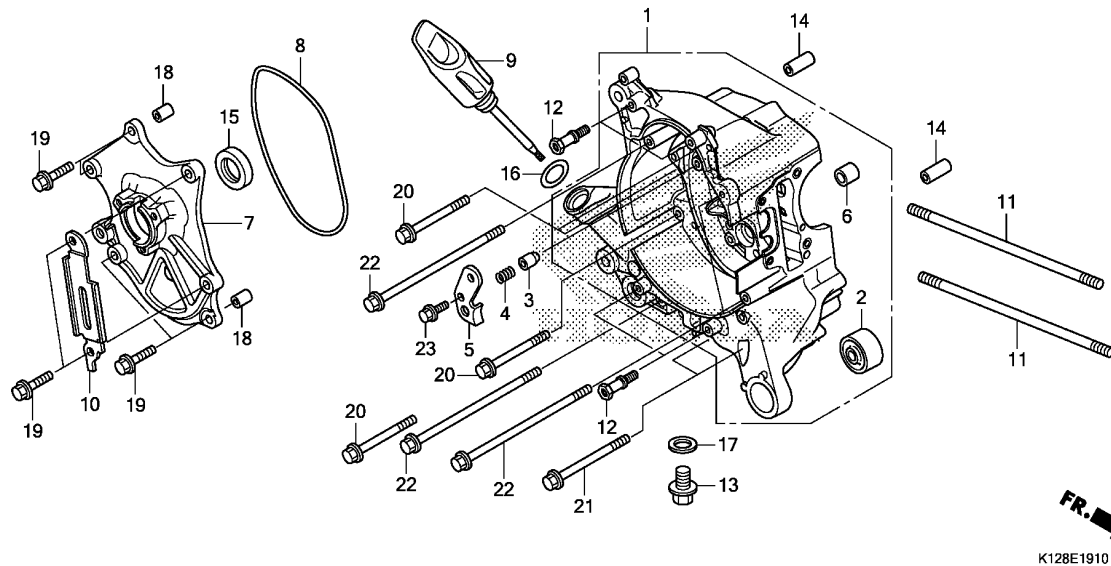
Ref. No.	Part No.	Description	Reqd. QTY		Serial No.	Parts catalogue code
			NHX125 D	F		
1	11204-KGF-900	SLEEVE, RR. BRAKE CAM	1	1		
2	11211-K12-900	TUBE, MISSION BREATHER	1	1		
3	21200-K12-900	CASE COMP., TRANSMISSION	1	1		
4	21395-K12-900	GASKET, TRANSMISSION CASE ...	1	1		
5	23411-K12-900	SHAFT, DRIVE(21T)	1	1		
6	23421-K12-900	SHAFT, COUNTER(13T)	1	1		
7	23422-K12-900	GEAR, COUNTER(50T)	1	1		
8	23430-K12-900	GEAR COMP., FINAL(49T)	1	1		
9	91004-KZR-601	BEARING, RADIAL BALL, 6202				
		(NTN)	1	1		
	91004-KZR-602	BEARING, RADIAL BALL, 6202				
		(FUJIKOSHI)	1	1		
10	91006-KZR-601	BEARING, RADIAL BALL, 6201				
		(NTN)	1	1		
	91006-KZR-602	BEARING, RADIAL BALL, 6201				
		(FUJIKOSHI)	1	1		
11	91009-GFC-901	BEARING, RADIAL BALL,				
		6004UU C3(NSK)	1	1		
12	91201-434-003	OIL SEAL, 14X20X3.2	2	2		
13	91204-GFM-971	OIL SEAL, 27X42X7(ARAI)	1	1		
14	94301-10120	DOWEL PIN, 10X12	2	2		
15	95002-50000	CLIP, TUBE(C9)	1	1		



E-19-10

RIGHT CRANKCASE

F 2



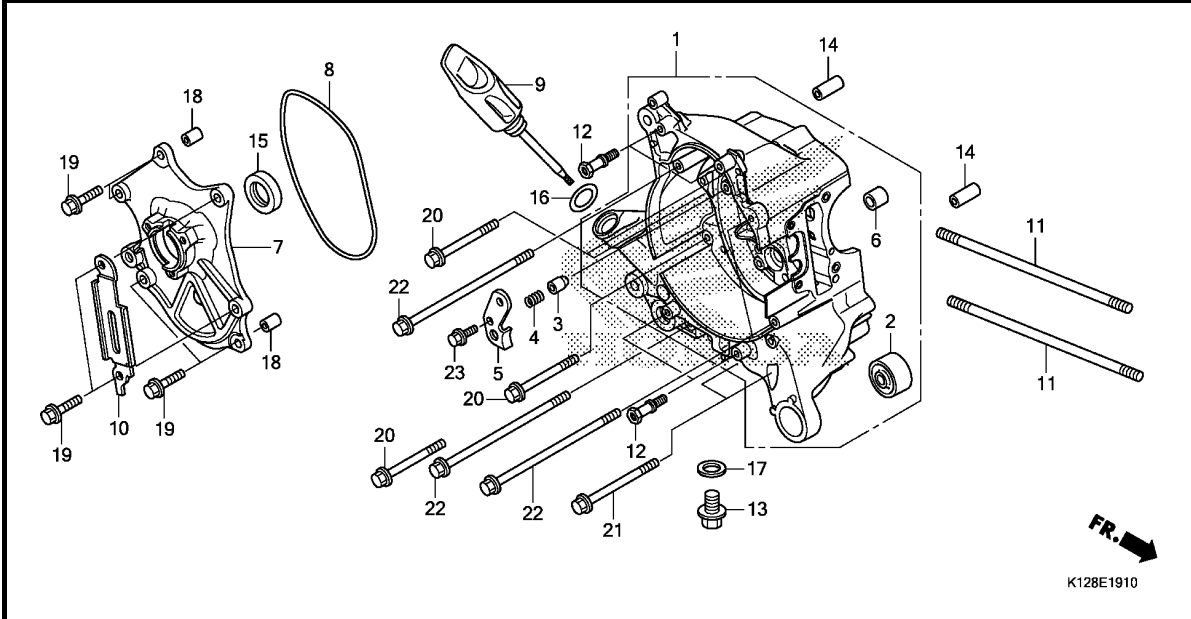
Ref. No.	L.O.N.	(Relative ref. Number) Description	F.R.T.
1	110120	CRANKCASE :RIGHTINCLUDES: Engine removal and installation	3.8
	1101A2	CRANKCASE :BOTHINCLUDES: Engine removal and installation	4.9
7	6131A4	BASE, STATOR	1.0
8	6131B5	O-RING, STATOR BASE	0.9
15	110132	OIL SEAL, CRANKSHAFT :RIGHT ..	1.0
	1101H3	OIL SEAL, CRANKSHAFT :BOTHINCLUDES: Engine removal and installation	4.1

Ref. No.	Part No.	Description	Reqd. QTY		Serial No.	Parts catalogue code
			NHX125 D	F		
1	11100-KZR-601	CRANKCASE COMP., R.	1	1		
2	11103-KVB-930	BUSH, ENGINE HANGER RUBBER ..	1	1		
	11103-KVB-901	BUSH, ENGINE HANGER RUBBER (HOKUSHIN)	1	-		
3	11114-KWN-900	PLUG, BEARING PUSH	1	1		
4	11116-KZR-600	SPRING, BEARING PUSH	1	1		
5	11117-KWN-901	PLATE, BEARING PUSH	1	1		
6	11205-GBC-300	BUSH, MAINSTAND	1	1		
7	11361-KWN-901	BASE, STATOR	1	1		
8	11363-KWN-900	GASKET, STATOR BASE	1	1		
9	15651-K12-900	GAUGE, OIL LEVEL	1	1		
10	32961-KWN-900	CLAMPER, A.C. GENERATOR CORD	1	-		
	32961-K29-910	-	1		
11	90031-KWN-900	BOLT A, STUD, 8X200.5	2	2		
12	90036-KZR-600	BOLT, RADIATOR DISTANCE	4	4		
13	90131-883-000	BOLT, DRAIN PLUG, 12X15	1	1		
14	90702-KWN-900	DOWEL PIN, SPECIAL, 6.3X10X30	2	2		
15	91201-KWN-901	OIL SEAL, 20.8X32X6	1	-		
	91201-K35-J01	OIL SEAL, 20.8X32X6(ARAI) ...	-	1		
16	91307-035-000	O-RING, 18X3	1	1		
17	94109-12000	WASHER, DRAIN PLUG, 12MM	1	1		
18	94301-08100	DOWEL PIN, 8X10	2	2		
19	95701-06025-00	BOLT, FLANGE, 6X25	6	6		
20	95701-06065-00	BOLT, FLANGE, 6X65	4	4		
21	95701-06080-00	BOLT, FLANGE, 6X80	2	2		

E-19-10

RIGHT CRANKCASE

F 3



Ref. No.	Part No.	Description	Reqd. QTY		Serial No.	Parts catalogue code
			NHX125 D	F		

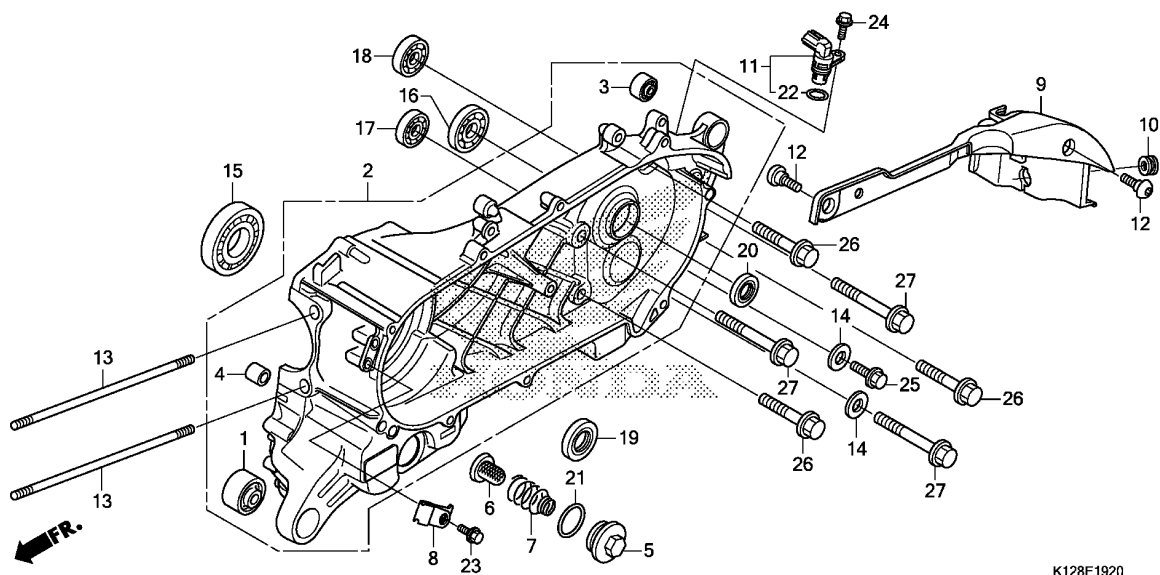
22	95701-06130-00	BOLT, FLANGE, 6X130	4	4		
23	96001-06016-00	BOLT, FLANGE, 6X16	1	1		

2

E-19-20

LEFT CRANKCASE

F 4



K128E1920

Ref. No.	L.O.N.	(Relative ref. Number) Description	F.R.T.
2	110115	CRANKCASE :LEFTINCLUDES: Engine removal and installation	4.7
	1101A2	CRANKCASE :BOTHINCLUDES: Engine removal and installation	4.9
6	1131B5	SCREEN, OIL FILTER (22)	0.2
11	617198	SENSOR, SPEEDOMETER	0.5
15	1101B6	BEARING, CRANKSHAFT :LEFTINCLUDES: Engine removal and installation	4.0
	2101F0	BEARING, DRIVESHAFT :LEFT	1.2
	2101J1	BEARING, DRIVESHAFT :BOTH	1.3
	2101C7	BEARING, COUNTERSHAFT :LEFT ..	1.1
	2101C9	BEARING, COUNTERSHAFT :BOTH ..	1.2
	2101E5	BEARING, FINAL GEAR SHAFT :LEFT	1.1
	2101J0	BEARING, FINAL GEAR SHAFT :BOTH	1.2
	110131	OIL SEAL, CRANKSHAFT :LEFTINCLUDES: Engine removal and installation	4.0
+	1101H3	OIL SEAL, CRANKSHAFT :BOTH ...	4.1

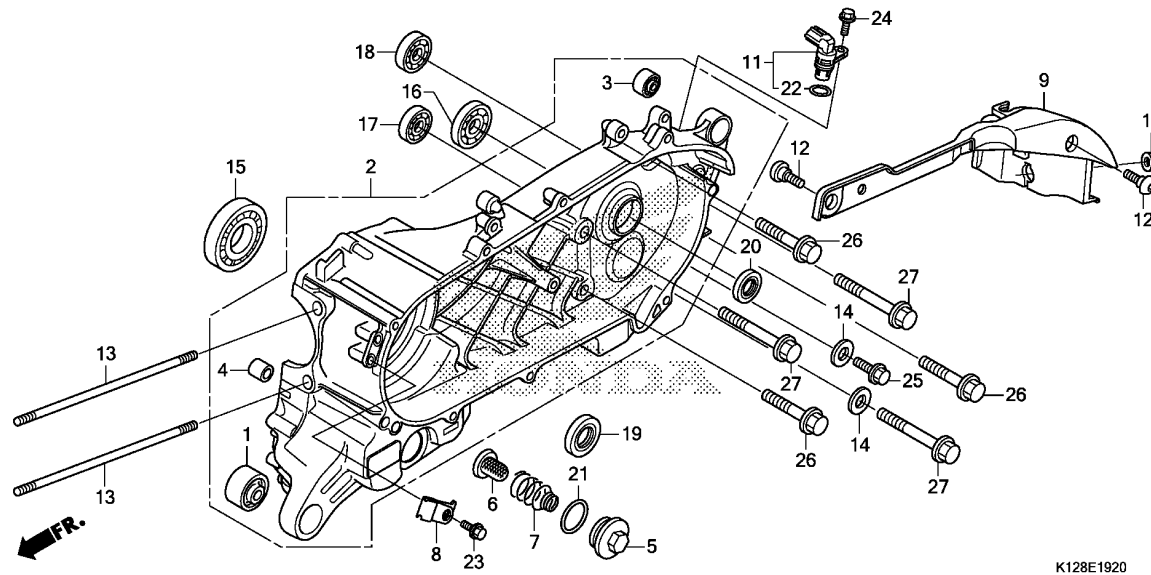
Ref. No.	Part No.	Description	Reqd. QTY		Serial No.	Parts catalogue code
			NHX125 D	F		
1	11103-KVB-930	BUSH, ENGINE HANGER RUBBER ..	1	1		
	11103-KVB-901	BUSH, ENGINE HANGER RUBBER (HOKUSHIN)	1	-		
2	11200-K12-900	CRANKCASE COMP., L.	1	-		
	11200-K12-930	-	1		
3	11203-KVB-901	BUSH, RR. CUSHION UNDER RUBBER (HOKUSHIN)	1	-		
	11203-K35-J00	BUSH, RR. CUSHION UNDER RUBBER	-	1		
4	11205-GBC-300	BUSH, MAINSTAND	1	1		
5	12361-035-000	CAP, TAPPET ADJUSTING HOLE ..	1	1		
6	15421-KPL-900	SCREEN, OIL FILTER	1	1		
	15421-107-000	1	-		
7	15426-KVB-900	SPRING, OIL FILTER SCREEN ...	1	1		
8	17925-K12-900	CLAMPER, THROTTLE CABLE	1	1		
9	32112-K12-900	PROTECTOR, SPEED SENSOR	1	1		
10	32113-KWN-900	GROMMET, SPEED SENSOR	1	1		
		PROTECTOR	1	1		
11	37700-K12-901	SENSOR ASSY., SPEED	1	1		
12	90001-KWR-000	BOLT, SOCKET, 6X18	2	2		
13	90032-KWN-900	BOLT B, STUD, 8X206	2	2		
14	90495-MN5-000	WASHER, SEALING, 8MM	2	2		
15	91002-KZR-602	BEARING, RADIAL BALL SPECIAL, 6207(FUJIKOSHI)	1	1		
	91002-KZR-603	BEARING, RADIAL BALL SPECIAL, 6207(NSK)	1	-		

2

E-19-20

LEFT CRANKCASE

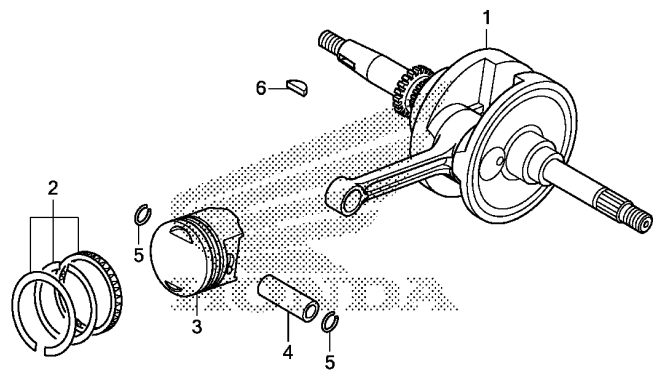
F 5



Ref. No.	L.O.N.	(Relative ref. Number) Description	F.R.T.
+19		.INCLUDES: Engine removal and installation	
20	2101E7	OIL SEAL, DRIVESHAFT	1.2

Ref. No.	Part No.	Description	Reqd. QTY		Serial No.	Parts catalogue code
			NHX125 D	F		
16	91003-KZR-602	BEARING, RADIAL BALL, 6204 (FUJIKOSHI)	1	1		
	91003-KZR-601	BEARING, RADIAL BALL, 6204 (NTN)	1	-		
17	91005-KZR-601	BEARING, RADIAL BALL, 6301 (NTN)	1	1		
	91005-KZR-602	BEARING, RADIAL BALL, 6301 (FUJIKOSHI)	1	1		
18	91008-KZR-601	BEARING, RADIAL BALL, 6302 (NTN)	1	1		
	91008-KZR-602	BEARING, RADIAL BALL, 6302 (FUJIKOSHI)	1	1		
19	91202-KWN-901	OIL SEAL, 26X45X6	1	1		
20	91203-KWN-901	OIL SEAL, 20X32X6	1	-		
	91203-K35-J01	OIL SEAL, 20X32X6(ARAI)	-	1		
21	91302-001-020	O-RING, 30.8MM	1	1		
22	91303-K27-V01	O-RING, 14.8X2.4	1	1		
23	95701-06012-00	BOLT, FLANGE, 6X12	1	1		
24	95701-06016-00	BOLT, FLANGE, 6X16	1	1		
25	95701-08016-00	BOLT, FLANGE, 8X16	1	1		
26	95701-08045-00	BOLT, FLANGE, 8X45	3	3		
27	95701-08055-00	BOLT, FLANGE, 8X55	3	3		



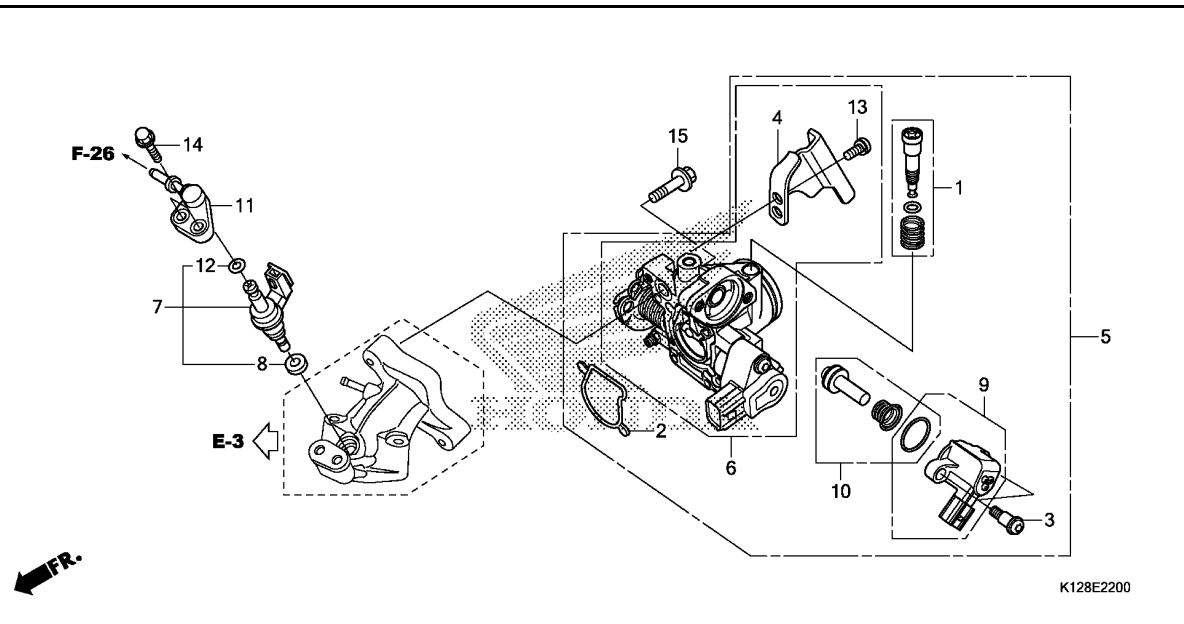


FR.

K128E2000

Ref. No.	L.O.N.	(Relative ref. Number) Description	F.R.T.
1	1101B5	CRANKSHAFTINCLUDES: Engine removal and installation (2,4,5)	4.2
3	111103	PISTON RING AND/OR PISTON(ONE)INCLUDES: Engine removal and installation	2.9

Ref. No.	Part No.	Description	Reqd. QTY		Serial No.	Parts catalogue code
			NHX125 D	F		
1	13000-KZR-601	CRANKSHAFT COMP.	1	1		
2	13011-KWN-900	RING SET, PISTON(STD.) (RIKEN)	1	1		
	13011-KZR-600	RING SET, PISTON(STD.) (TPR) -	1	1		
	13021-KWN-900	RING SET, PISTON(0.25) (RIKEN)	(1)	(1)		
	13021-KZR-600	RING SET, PISTON(0.25) (TPR) -	(1)	(1)		
	13031-KWN-900	RING SET, PISTON(0.50) (RIKEN)	(1)	(1)		
	13031-KZR-600	RING SET, PISTON(0.50) (TPR) -	(1)	(1)		
	13041-KWN-900	RING SET, PISTON(0.75) (RIKEN)	(1)	(1)		
	13041-KZR-600	RING SET, PISTON(0.75) (TPR) -	(1)	(1)		
	13051-KWN-900	RING SET, PISTON(1.00) (RIKEN)	(1)	(1)		
	13051-KZR-600	RING SET, PISTON(1.00) (TPR) -	(1)	(1)		
3	13101-KWN-902	PISTON(STD.)	1	1		
	13102-KWN-903	PISTON(O.S. 0.25)	(1)	(1)		
	13103-KWN-903	PISTON(O.S. 0.50)	(1)	(1)		
	13104-KWN-903	PISTON(O.S. 0.75)	(1)	(1)		
	13105-KWN-903	PISTON(O.S. 1.00)	(1)	(1)		
	13101-K27-V00	PISTON	1	-		
4	13111-KWN-900	PIN, PISTON	1	1		
5	13115-GN5-910	CLIP, PISTON PIN, 13MM	2	2		
6	90741-003-010	KEY, WOODRUFF, 4MM	1	1		



Ref. No.	L.O.N.	(Relative ref. Number) Description	F.R.T.
5		(2)	
311132		BODY ASSY., THROTTLE	0.3
6		BODY, THROTTLE	0.4
7		(8,11,12)	
311145		INJECTOR, FUEL	0.4
9		(10)	
311125		VALVE, STARTER	0.3

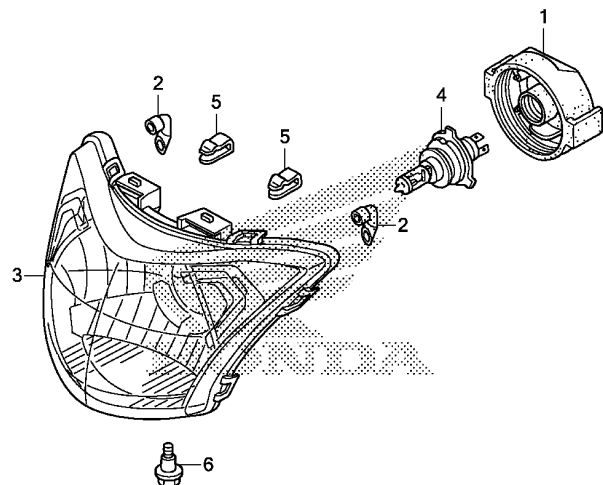
Ref. No.	Part No.	Description	Reqd. QTY		Serial No.	Parts catalogue code
			NHX125 D	F		
1	16016-KVB-S51	SCREW SET	1	-		
	16016-K03-H11	-	1		
2	16075-KZR-601	O-RING, THROTTLE BODY	1	1		
3	16081-KPH-701	SCREW, TORX, 5X8.7	2	-		
	16081-KYJ-901	-	2		
4	16169-KVB-S51	STAY, WIRE	1	1		
5	16400-K12-901	THROTTLE BODY ASSY.(GQY7A A)	1	-		
	16400-K12-931	THROTTLE BODY ASSY.(GQYUA A)	-	1		
6	16410-K12-901	BODY SET	1	-		
	16410-K12-931	-	1		
7	16450-K27-V01	INJECTOR ASSY., FUEL	1	-		
	16450-K35-V01	-	1		
8	16472-KPC-D50	RING, SEAL	1	1		
9	16480-KVB-S51	SOLENOID	1	1		
10	16485-KVB-S51	SEAT SET	1	-		
	16485-GGZ-J01	-	1		
11	17560-K12-900	JOINT COMP., INJECTOR	1	1		
12	91301-GGL-J01	O-RING, 6.3X2.2	1	1		
13	93892-05012-18	SCREW-WASHER, 5X12	1	1		
14	95701-06022-00	BOLT, FLANGE, 6X22	2	2		
15	96001-06025-00	BOLT, FLANGE, 6X25	2	2		



F-1

HEADLIGHT

G 1

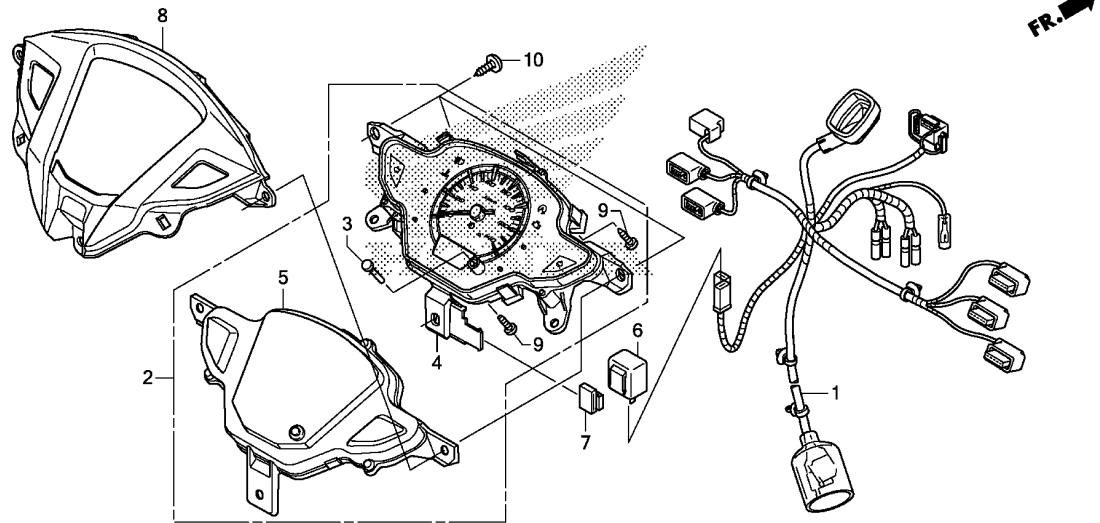


K128F0100

Ref. No.	L.O.N.	(Relative ref. Number) Description	F.R.T.
3	6161A7	HEADLIGHT UNIT	0.3
4		(1)	
	616118	BULB, HEADLIGHT	0.2

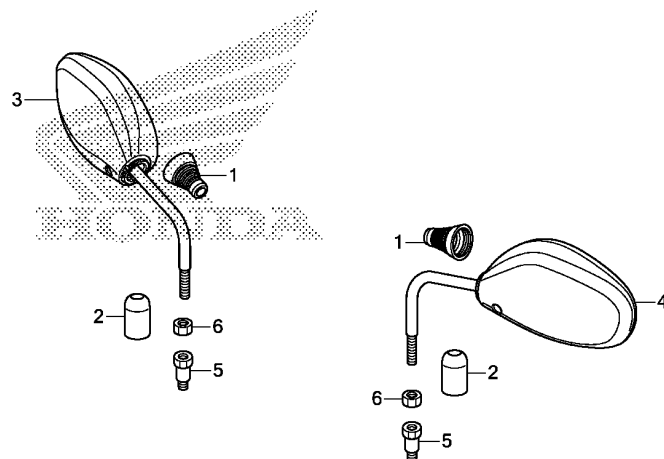
3

Ref. No.	Part No.	Description	Reqd. QTY		Serial No.	Parts catalogue code
			NHX125 D	F		
1	33112-K12-901	COVER, RUBBER	1	1		
2	33113-MAT-611	PIPE, CP	2	2		
3	33120-K12-901	HEADLIGHT UNIT	1	1		
4	34901-KFV-671	BULB, HEADLIGHT(HS1) (12V 35/35W)	1	1		
5	53209-GAH-000	CLIP, HEADLIGHT	2	2		
6	90101-KZL-930	BOLT, ADJUSTING	1	1		



Ref. No.	L.O.N.	(Relative ref. Number) Description	F.R.T.
1	8121C6	SUB HARNESS, METER	0.5
2	8121A1	METER ASSY., COMBINATION	0.4
4	8121A2	METER, COMBINATION	0.4
5	8121B7	LENS, METER	0.3
6	6111C3	RELAY, WINKER	0.3
8	8121E3	COVER, METER	0.3

Ref. No.	Part No.	Description	Reqd. QTY		Serial No.	Parts catalogue code
			NHX125 D	F		
1	32101-K12-900	SUB HARNESS, SPEEDOMETER	1	1		
2	37100-K12-901	METER ASSY., COMBINATION(KPH)	1	-		
	37100-K12-931	-	1		
3	37203-K12-901	ROD, SWITCH EXTENSION	1	1		
4	37210-K12-901	SPEEDOMETER COMP.	1	-		
	37210-K12-931	-	1		
5	37211-K12-901	LENS ASSY.	1	1		
6	38301-KPH-881	RELAY COMP., WINKER	1	1		
7	38306-GE7-000	SUSPENSION, WINKER RELAY	1	1		
8	53208-K12-900ZA	COVER, METER				
	NHB24M					
		ARTEMIS SILVER METALLIC	1	1		
9	93903-22420	SCREW, TAPPING, 3X16	4	4		
10	93903-25310	SCREW, TAPPING, 5X16	3	3		



K128F0300

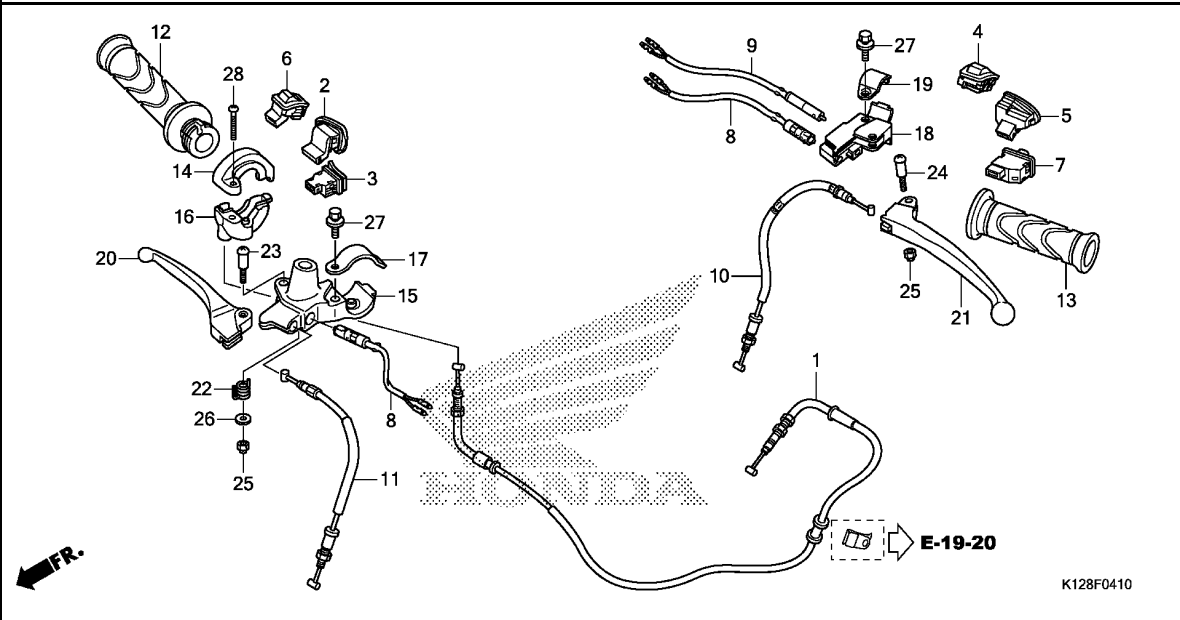
Ref. L.O.N. (Relative ref. Number) F.R.T.
No. Description

NO INFORMATION

Ref. No.	Part No.	Description	Reqd. QTY		Serial No.	Parts catalogue code
			NHX125 D	F		
1	88115-KVG-V40	BOOT, MIRROR UPPER	2	2		
2	88119-K12-900	CAP, LOCK NUT	2	2		
3	88210-K12-900	MIRROR COMP., R.	1	1		
4	88220-K12-900	MIRROR COMP., L.	1	1		
5	90003-KFL-710	BOLT, ADAPTER, 10MM	2	2		
6	90201-MW3-620	NUT, HEX., 10MM (LEFT HAND THREAD)	2	2		

F-4-10

HANDLE LEVER/SWITCH/CABLE



Ref. No.	L.O.N.	(Relative ref. Number) Description	F.R.T.
1	811100	CABLE, THROTTLE	0.8
2	6151C1	SWITCH, LIGHTING	0.4
3	615116	SWITCH, STARTER	0.4
4	615117	SWITCH, DIMMER	0.4
5	6151A3	SWITCH, HORN	0.4
6	6151C4	SWITCH, IDLE	0.4
7	615118	SWITCH, WINKER	0.4
8	6151B2	SWITCH, FRONT STOP	0.4
	6151B3	SWITCH, REAR STOP :LEVER SIDE	0.4
	6151B6	SWITCH, STOP :BOTH	0.5
9	6151C6	SWITCH, LEFT START	0.4
10	8111E1	CABLE, REAR BRAKE FIRST	0.6
11	811125	CABLE, FRONT BRAKE	0.4
12	810150	GRIP, THROTTLE	0.3
13	8101C0	GRIP, HANDLE :LEFT	0.1
15	8101C9	BRACKET, HANDLE LEVER :RIGHT	0.3
16	810155	HOUSING, THROTTLE	0.4
18	8101C8	BRACKET, HANDLE LEVER :LEFT ..	0.3
	8101D0	BRACKET, HANDLE LEVER :BOTH ..	0.4
20	8101C7	LEVER, HANDLE :RIGHT	0.3
21	8101C6	LEVER, HANDLE :LEFT	0.3
	8101F5	LEVER, HANDLE :BOTH	0.4

K128F0410

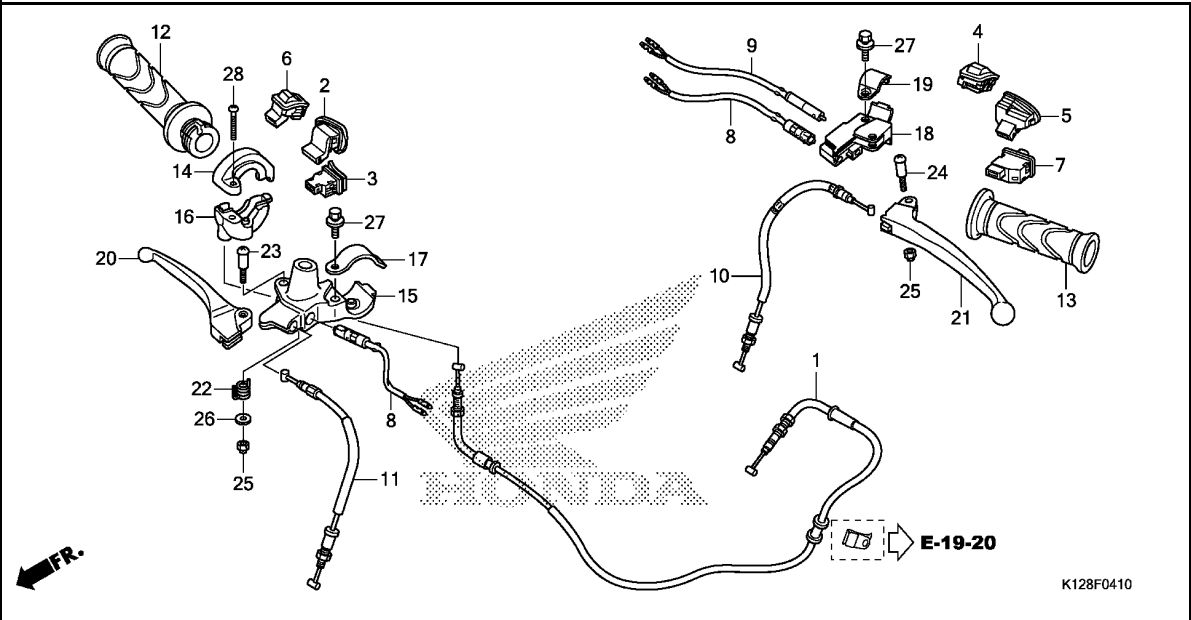
Ref. No.	Part No.	Description	Reqd. QTY		Serial No.	Parts catalogue code
			NHX125 D	F		
1	17910-K12-901	CABLE COMP., THROTTLE	1	-		
	17910-K12-930	-	1		
2	35150-KYZ-V01	SWITCH UNIT, LIGHTING	1	1		
3	35160-KYZ-901	SWITCH UNIT, STARTER	1	1		
4	35170-KYZ-901	SWITCH UNIT, DIMMER	1	1		
5	35180-KYZ-901	SWITCH UNIT, HORN	1	1		
6	35190-KWN-901	SWITCH UNIT, IDLE	1	1		
7	35200-KYZ-901	SWITCH UNIT, WINKER	1	1		
8	35340-K27-V01	SWITCH ASSY., FR. STOP	2	2		
9	35345-GFM-J11	SWITCH ASSY., INHIBITOR	1	1		
10	43440-K12-901	CABLE COMP., RR. BRAKE FIRST	1	1		
11	45440-K12-901	CABLE COMP., FR. BRAKE FIRST	1	-		
	45440-K12-930	-	1		
12	53140-KVB-T00	GRIP COMP., THROTTLE	1	1		
13	53166-KWB-600	GRIP, L. HANDLE	1	1		
14	53167-KFM-900	HOUSING, UPPER THROTTLE	1	1		
15	53168-K12-900	BRACKET, R. HANDLE LEVER	1	1		
16	53168-KFM-901	HOUSING, UNDER THROTTLE	1	-		
	53168-KFM-902	-	1		
17	53171-KZL-E00	BAND, HANDLE BRACKET	1	1		
18	53172-K12-900	BRACKET, L. HANDLE LEVER	1	1		
19	53173-GFM-970	BAND, HANDLE BRACKET	1	1		
20	53175-KZL-E00	LEVER, R. STEERING HANDLE	1	1		
21	53178-KZL-940	LEVER, L. STEERING HANDLE	1	-		
	53178-GFM-J10	-	1		



F-4-10

HANDLE LEVER/SWITCH/CABLE

G 5

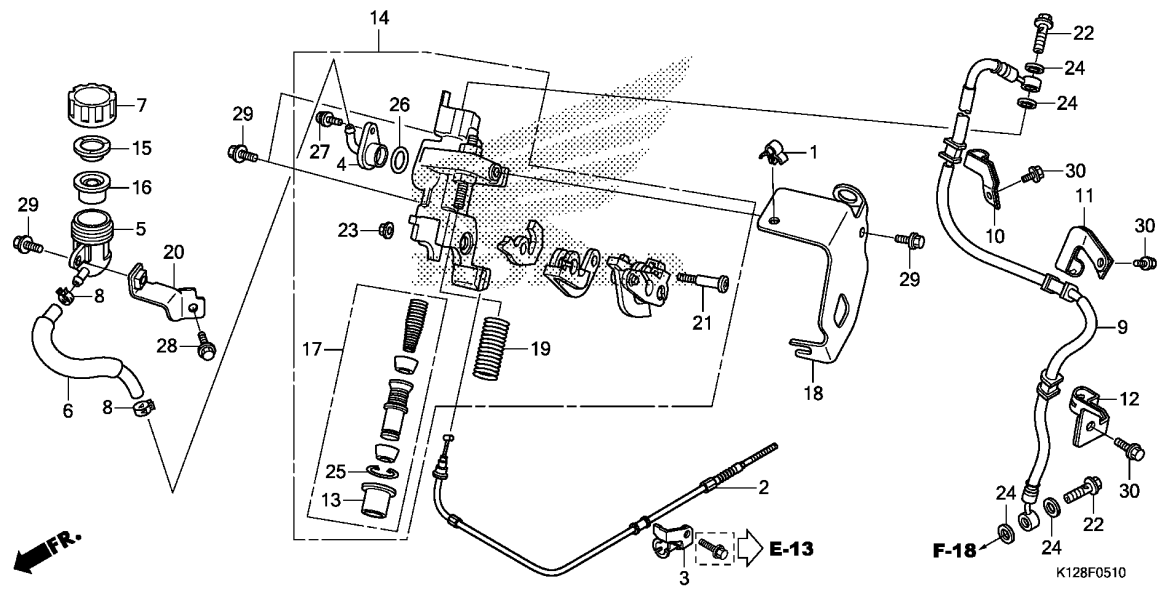


Ref. No.	Part No.	Description	Reqd. QTY		Serial No.	Parts catalogue code
			NHX125 D	F		
22	53199-KZL-E00	SPRING, BRAKE LEVER RETURN ..	1	1		
23	90115-GBL-870	SCREW, HANDLE LEVER PIVOT ...	1	1		
24	90116-GFM-900	SCREW, HANDLE LEVER PIVOT ...	1	1		
25	90302-KVB-T01	NUT, U, 5MM	2	2		
26	90483-041-000	WASHER, STOPPER	1	1		
27	93401-06020-00	BOLT-WASHER, 6X20	2	2		
28	93500-05022-0A	SCREW, PAN, 5X22	1	1		

3

F-5-10

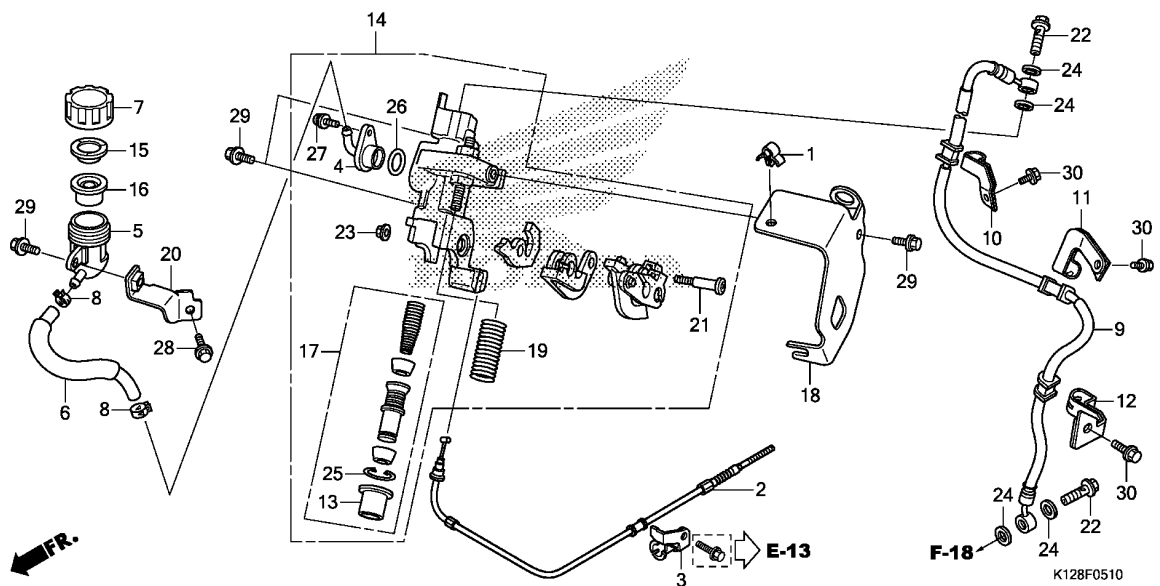
BRAKE MASTER CYLINDER



Ref. No.	L.O.N.	(Relative ref. Number) Description	F.R.T.
2	8111A6	CABLE, REAR BRAKE SECOND	0.6
5	7121S4	CUP, CBS MASTER CYLINDER OIL . .INCLUDES: Bleed brakes	0.3
6	7121S5	HOSE, CBS MASTER CYLINDER OIL CUP	0.4
9	7121A0	HOSE, FRONT BRAKE	0.5
14	7111Q4	CYLINDER, CBS MASTER	0.9
16	7121S6	DIAPHRAGM, CBS BRAKE MASTER CYLINDER	0.1
17	7121S2	PISTON SET, CBS MASTER	1.1
18	7111Q5	COVER, CBS MASTER CYLINDER ...	0.3

Ref. No.	Part No.	Description	Reqd. QTY		Serial No.	Parts catalogue code
			NHX125 D	F		
1	30701-883-000	CLIP, HIGH TENSION CORD(8MM)	1	1		
2	43450-K12-901	CABLE COMP., RR. BRAKE SECOND	1	1		
3	43455-K12-900	CLAMPER, RR. BRAKE CABLE	1	1		
4	43503-K12-901	CONNECTOR, MASTER CYLINDER ..	1	1		
5	43511-KS6-702	CUP COMP., MASTER CYLINDER OIL	1	1		
6	43512-K12-901	HOSE, MASTER CYLINDER	1	1		
7	43513-KWN-931	CAP, MASTER CYLINDER	1	1		
8	43514-KS6-701	CLAMP, MASTER CYLINDER OIL				
		HOSE	2	2		
9	45126-K12-901	HOSE COMP., FR. BRAKE	1	1		
10	45127-K12-900	CLAMPER A, BRAKE HOSE	1	1		
11	45128-K12-900	CLAMPER B, BRAKE HOSE	1	1		
12	45129-K12-900	CLAMPER C, BRAKE HOSE	1	1		
13	45504-410-003	BOOT COMP.	1	1		
14	45510-K12-901	CYLINDER SUB ASSY., MASTER				
		(NISSIN)	1	-		
	45510-K12-930	-	1		
15	45518-GM9-711	PLATE, DIAPHRAGM	1	1		
16	45520-GM9-711	DIAPHRAGM	1	1		
17	45530-MA4-671	CYLINDER SET, MASTER	1	1		
18	47602-K12-900	COVER, MASTER CYLINDER	1	1		
19	47604-KZL-E01	SPRING, DELAY	1	1		
20	50250-K12-900	STAY, OIL CUP	1	-		
	50250-K12-930	-	1		
21	90114-KZL-E01	BOLT, PIVOT	1	1		



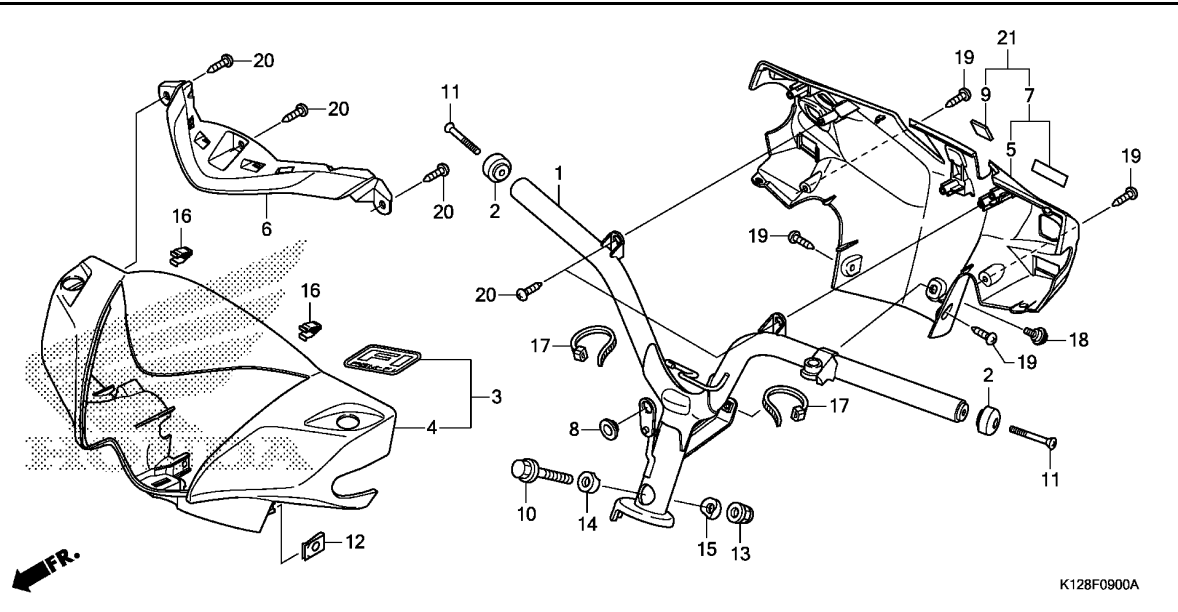


Ref. No.	Part No.	Description	Reqd. QTY		Serial No.	Parts catalogue code
			NHX125 D	F		
22	90145-KPH-B30	BOLT, OIL, 10X22(NISSIN)	2	2		
23	90301-473-003	NUT, U, 6MM(FUSERASHI)	1	1		
24	90545-300-000	WASHER, OIL BOLT	4	4		
25	90651-MA5-671	CIRCLIP	1	1		
26	91212-422-006	O-RING, 14.8X2.4	1	1		
27	93893-04012-17	SCREW-WASHER, 4X12	1	1		
28	95701-06012-00	BOLT, FLANGE, 6X12	1	1		
29	95701-06014-08	BOLT, FLANGE, 6X14	4	4		
30	96001-06012-00	BOLT, FLANGE, 6X12	3	3		

F-9

HANDLE PIPE/HANDLE COVER

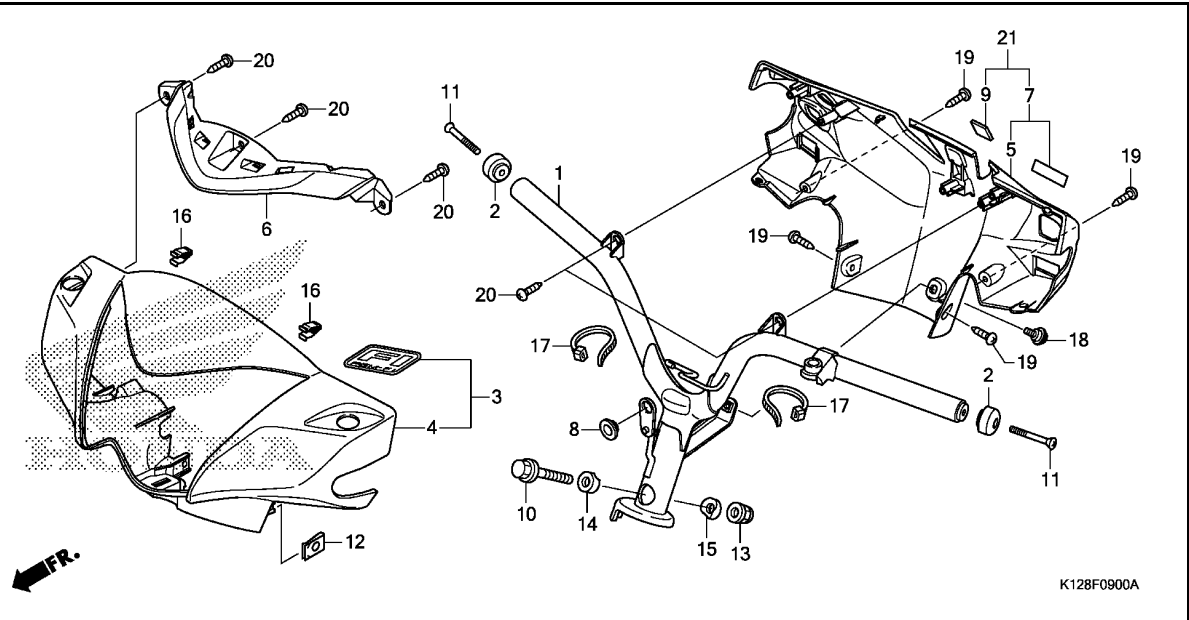
G 8



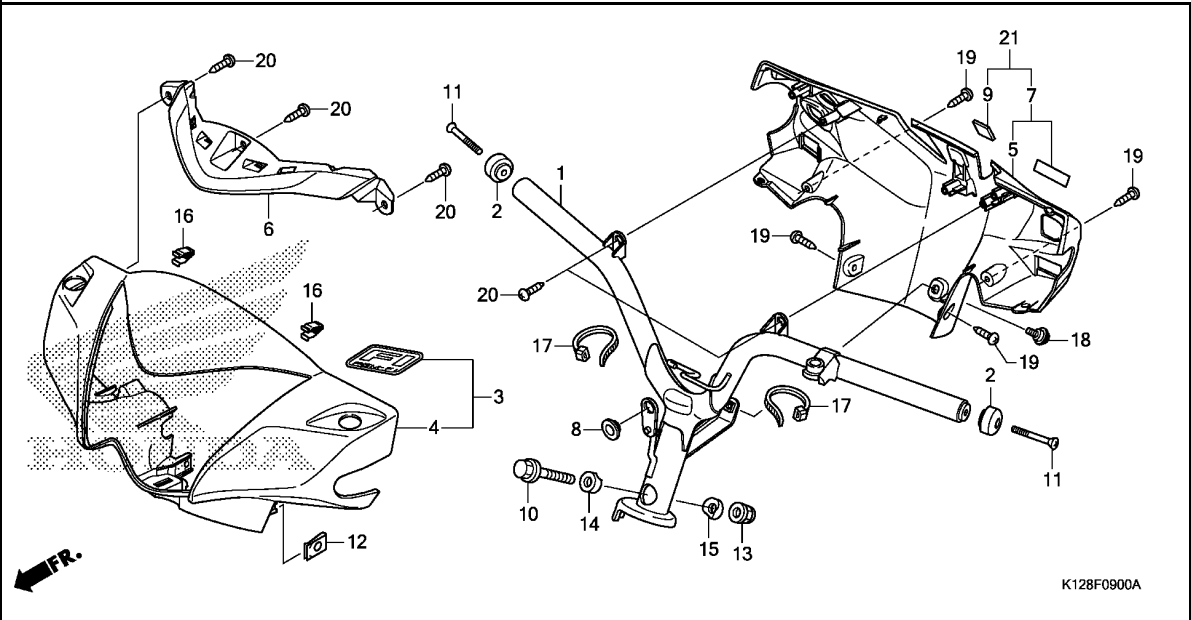
Ref. No.	L.O.N.	(Relative ref. Number) Description	F.R.T.
1	810100	PIPE, STEERING HANDLE (4,6)	0.7
3	4131B5	COVER, HANDLE :FRONT (5,21)	0.3
7	4131B6	COVER, HANDLE :REAR	0.4
	4131U1	COVER, HANDLE :BOTH	0.5

Ref. No.	Part No.	Description	Reqd. QTY		Serial No.	Parts catalogue code
			NHX125 D	F		
1	53100-K12-900	HANDLE COMP., STEERING	1	1		
2	53102-KVB-S00	WEIGHT A, HANDLE	2	2		
3	53203-K12-900ZC	COVER SET, FR. HANDLE(WL)				
	53203-K12-900ZD	*TYPE7*.....	1	1	----- 2V	
	53203-K12-900ZH	*TYPE6*.....	1	1	----- 2V	
	53203-K12-900ZG	*TYPE2*.....	1	1	----- V	
	53203-K12-900ZJ	*TYPE3*.....	1	1	----- V	
	53203-K12-900ZK	*TYPE1*.....	1	-	----- V	
	53203-K12-900ZA	*TYPE9*.....	1	-	----- V	
	53203-K12-900ZE	*TYPE5*.....	1	-	----- V	
	53203-K12-900ZF	*TYPE4*.....	1	-	----- V	
	53203-K12-900ZJ	*TYPE1*.....	-	1	----- 2V	
	53203-K12-950ZA	*TYPE1*.....	-	1	----- 2V	
4	53205-K12-900ZC	COVER, FR. HANDLE				
	53205-K12-900ZF	*YR299P*..PEARL EZ SHEEP GOLD	1	-	----- 2V	
	53205-K12-900ZG	*PB390M*EXALTED BLUE METALLIC	1	-	----- 2V	
	53205-K12-900ZH	*NHB35P*..PEARL JASMINE WHITE	1	-	----- V	
	53205-K12-900ZI	*NHB25M*..POSEIDON BLACK METALLIC	1	-	----- V	
	53205-K12-900ZJ	*Y208M*...LATTE GOLD METALLIC	1	-	----- V	
	53205-K12-900ZK	*YR303M*..MAHOGANY BROWN METALLIC	1	-	----- V	
	53205-K12-900ZL	*R350C*.....CANDY NOBLE RED	1	-	----- V	
	53205-K12-900ZM	*NHB50M*..DAZZLE SILVER METALLIC	1	-	----- V	
5	53206-K12-900ZC	COVER, RR. HANDLE				
	53206-K12-900ZF	*YR299P*..PEARL EZ SHEEP GOLD	1	-	----- 2V	
	53206-K12-900ZG	*PB390M*EXALTED BLUE METALLIC	1	-	----- 2V	
	53206-K12-900ZG	*NHB35P*..PEARL JASMINE WHITE	1	-	----- V	

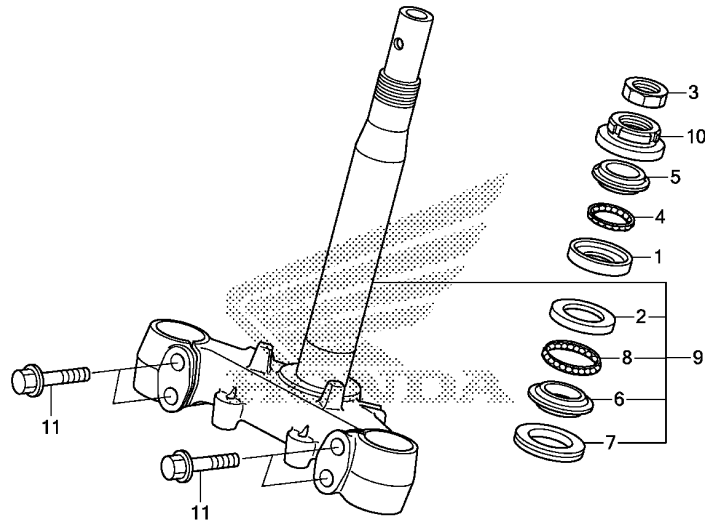
3



Ref. No.	Part No.	Description	Reqd. QTY		Serial No.	Parts catalogue code
			NHX125 D	F		
(5)	53206-K12-900ZH	COVER, RR. HANDLE *NHB25M*	1	-		
		POSEIDON BLACK METALLIC	1	-	-----	V
	53206-K12-900ZA	*Y208M*...LATTE GOLD METALLIC	1	-	-----	V
	53206-K12-900ZB	*YR303M*	1	-	-----	V
		MAHOGANY BROWN METALLIC	1	-	-----	V
	53206-K12-900ZD	*R350C*.....CANDY NOBLE RED	1	-	-----	V
	53206-K12-900ZL	*NHB50M*	1	-	-----	V
		DAZZLE SILVER METALLIC	1	-	-----	V
6	53207-K12-900ZA	GRILL, HANDLE COVER *NHB24M*	1	1	-----	V
		ARTEMIS SILVER METALLIC	1	1	-----	2V
	53207-K12-920	1	-	-----	2V
	53207-K12-950	-	1	-----	2V
7	53210-K12-900ZC	COVER SET, RR. HANDLE(WL) *TYPE6*	1	-	-----	2V
	53210-K12-900ZK	*TYPE7*	1	-	-----	2V
	53210-K12-900ZG	*TYPE2*	1	-	-----	
	53210-K12-900ZH	*TYPE1*	1	-	-----	
	53210-K12-900ZA	*TYPE9*	1	-	-----	V
	53210-K12-900ZD	*TYPE5*	1	-	-----	V
	53210-K12-900ZE	*TYPE4*	1	-	-----	V
	53210-K12-900ZF	*TYPE3*	1	-	-----	V
8	83551-376-000	GROMMET, SIDE COVER	1	1		
9	86150-KYS-940	EMBLEM, PRODUCT(SHINKO ASIA)	1	1		
10	90102-KWW-640	BOLT, FLANGE, 10X48	1	1		
11	90191-KWB-600	SCREW, OVAL, 6X45	2	2		



Ref. No.	Part No.	Description	Reqd. QTY		Serial No.	Parts catalogue code
			NHX125 D	F		
12	90302-KWW-A00	NUT, SPRING, 4MM	2	2		
13	90304-KGH-901	NUT, U, 10MM	1	1		
14	90501-KPH-880	COLLAR A, HANDLE SETTING	1	1		
15	90505-KPH-880	COLLAR B, HANDLE SETTING	1	1		
16	90601-SJA-003	CLIP, SNAP FITTING	2	2		
17	90652-KT1-771	BAND, WIRE(BLACK)	2	2		
18	91509-GE2-760	SCREW, PAN, 5X11.5	1	1		
19	93903-24480	SCREW, TAPPING, 4X16	4	4		
20	93903-25310	SCREW, TAPPING, 5X16	5	5		
21	53215-K12-930ZA	COVER ASSY., RR. HANDLE(WL)				
		TYPE7	-	1	-----	2V
	53215-K12-930ZB	*TYPE6*	-	1	-----	2V
	53215-K12-930ZE	*TYPE1*	-	1	-----	2V
	53215-K12-950ZA	*TYPE1*	-	1	-----	2V
	53215-K12-930ZD	*TYPE2*	-	1	-----	
	53215-K12-930ZC	*TYPE3*	-	1	-----	V



K128F1000

Ref. No.	L.O.N.	(Relative ref. Number) Description	F.R.T.
1		(4)	
1	5101A0	RACE, STEERING BALL :UPPER ...	1.7
2	5101A1	RACE, STEERING BALL :LOWER ...	1.9
	5101C9	RACE, STEERING BALL :BOTH	1.9
5	5101A9	RACE, STEERING TOP CONE	1.7
6		(7,8)	
	5101B0	RACE, STEERING BOTTOM CONE ...	1.9
9	510100	STEM OR SHAFT ASSY., STEERING	1.7
10	5101B2	THREAD, STEERING HEAD TOP	1.5

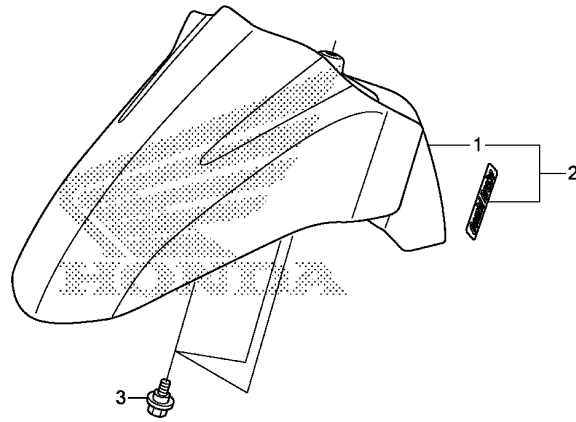
3

Ref. No.	Part No.	Description	Reqd. QTY		Serial No.	Parts catalogue code
			NHX125 D	F		
1	50301-GN5-901	RACE, STEERING TOP BALL	1	1		
2	50302-GN5-900	RACE, STEERING BOTTOM BALL ..	1	1		
3	50306-GN5-900	NUT, STEERING STEM LOCK	1	1		
4	53210-KVR-C00	BALL ASSY., STEERING STEEL, #6X21	1	1		
5	53211-GN5-900	RACE, STEERING TOP CONE	1	1		
6	53212-GN5-900	RACE, STEERING BOTTOM CONE ..	1	1		
7	53214-GN5-900	DUST SEAL, STEERING HEAD	1	1		
8	53215-KVR-C00	BALL ASSY., STEERING STEEL, #6X26	1	1		
9	53219-K12-900	STEM SUB ASSY., STEERING	1	1		
10	53220-GN5-850	THREAD COMP., STEERING HEAD TOP	1	1		
11	90102-GFM-970	BOLT, FLANGE, 10X45	4	4		

F-11

FRONT FENDER

G12



K128F1100

Ref. No.	L.O.N.	(Relative ref. Number) Description	F.R.T.
2	4131B7	(1) FENDER, FRONT	0.2

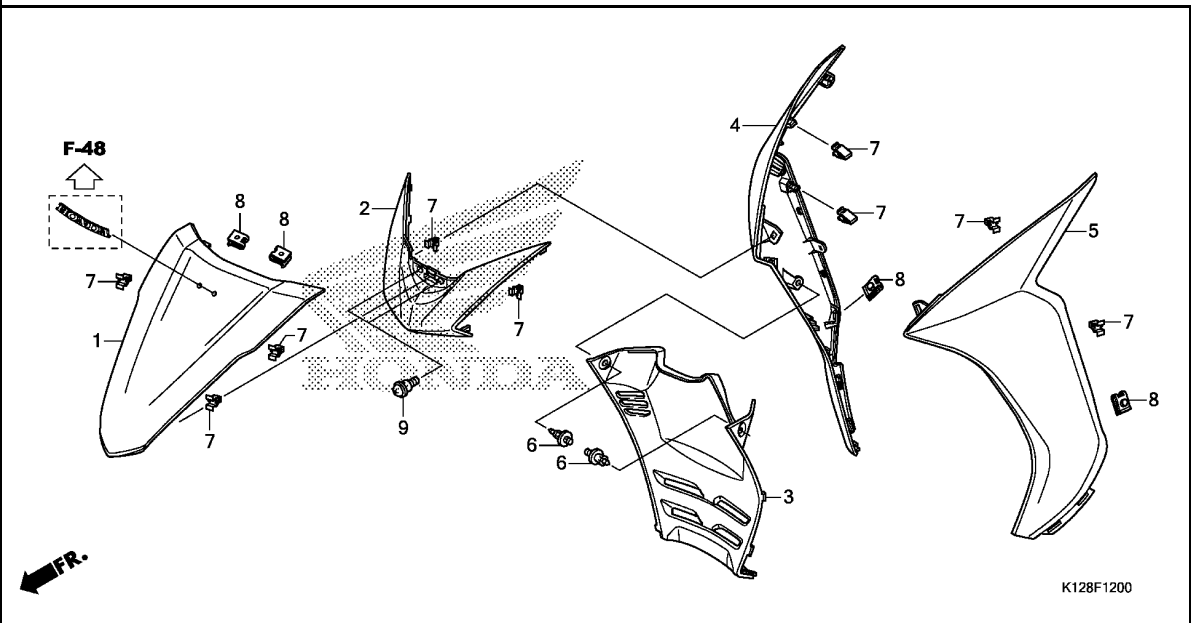
Ref. No.	Part No.	Description	Reqd. QTY		Serial No.	Parts catalogue code
			NHX125 D	F		
1	61100-K12-900ZC	FENDER, FR.	1	-	-----	2V
		YR299P...PEARL EZ SHEEP GOLD	1	-	-----	2V
	61100-K12-900ZF	*PB390M*EXALTED BLUE METALLIC	1	-	-----	2V
	61100-K12-900ZG	*NHB35P*...PEARL JASMINE WHITE	1	-	-----	
	61100-K12-900ZH	*NHB25M* POSEIDON BLACK METALLIC	1	-	-----	V
	61100-K12-900ZA	*Y208M*...LATTE GOLD METALLIC	1	-	-----	V
	61100-K12-900ZB	*YR303M* MAHOGANY BROWN METALLIC	1	-	-----	V
	61100-K12-900ZD	*R350C*...CANDY NOBLE RED	1	-	-----	V
	61100-K12-900ZL	*NHB50M* DAZZLE SILVER METALLIC	1	-	-----	V
2	61200-K12-900ZC	FENDER SET, FR.(WL)	1	1	-----	2V
		YR299P...PEARL EZ SHEEP GOLD	1	1	-----	2V
	61200-K12-900ZF	*PB390M*EXALTED BLUE METALLIC	1	1	-----	2V
	61200-K12-900ZG	*NHB35P*...PEARL JASMINE WHITE	1	1	-----	
	61200-K12-900ZD	*R350C*...CANDY NOBLE RED	1	1	-----	V
	61200-K12-900ZH	*NHB25M* POSEIDON BLACK METALLIC	1	-	-----	V
	61200-K12-900ZA	*Y208M*...LATTE GOLD METALLIC	1	-	-----	V
	61200-K12-900ZB	*YR303M* MAHOGANY BROWN METALLIC	1	-	-----	V
	61200-K12-900ZK	*NHB50M* DAZZLE SILVER METALLIC	1	-	-----	V
	61200-K12-900ZH	*NHB25M* POSEIDON BLACK METALLIC	-	1	-----	2V
	61200-K12-900ZL	*Y183M*...ARIES GOLD METALLIC	-	1	-----	2V
3	90111-KZL-A00	BOLT, SPECIAL, 6MM	3	3		

3

F-12

FRONT COVER

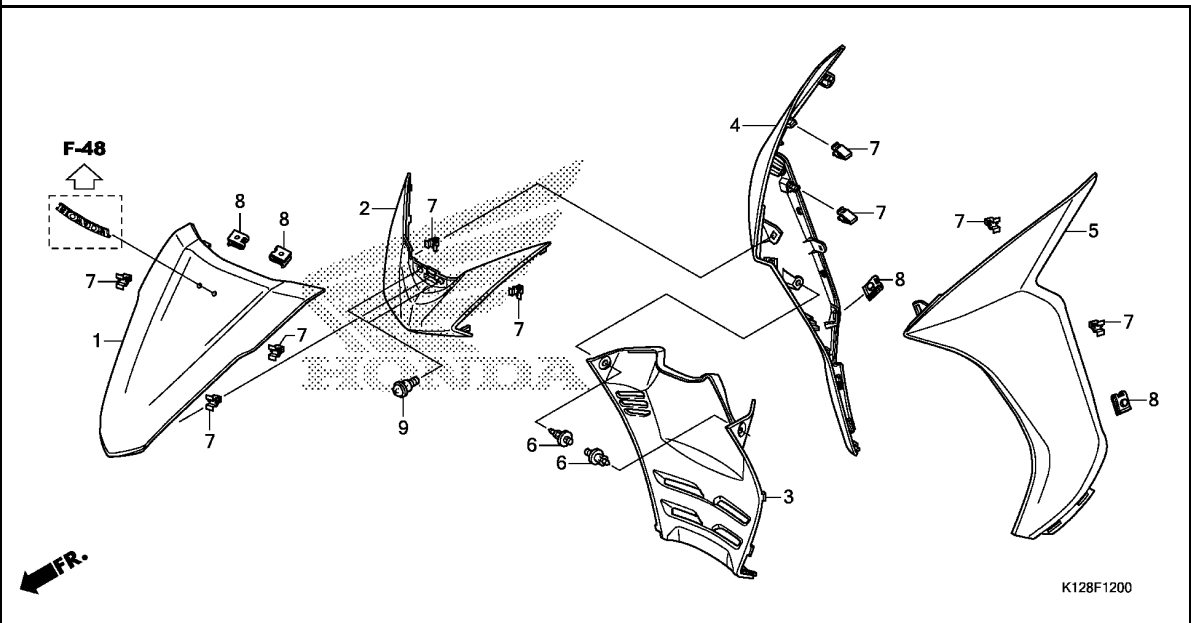
G13



Ref. No.	L.O.N.	(Relative ref. Number) Description	F.R.T.
1	4111E3	COVER, FRONT	0.1
2	4111F8	GRILLE, FRONT	0.1
3	413130	COVER, FRONT LOWER	0.1
4	4111U8	COVER, FRONT :RIGHT	0.2
5	4111U7	COVER, FRONT :LEFT	0.2
	4111U9	COVER, FRONT :BOTH	0.3

3

Ref. No.	Part No.	Description	Reqd. QTY		Serial No.	Parts catalogue code
			NHX125 D	F		
1	64300-K12-900ZC	COVER, FR. UPPER	1	1	----- 2V	
		YR299P..PEARL EZ SHEEP GOLD	1	1	----- 2V	
	64300-K12-900ZF	*PB390M*EXALTED BLUE METALLIC	1	1	----- 2V	
	64300-K12-900ZG	*NHB35P*..PEARL JASMINE WHITE	1	1	----- 2V	
	64300-K12-900ZD	*R350C*.....CANDY NOBLE RED	1	1	----- V	
	64300-K12-900ZH	*NHB25M*	1	-	----- V	
		POSEIDON BLACK METALLIC	1	-	----- V	
	64300-K12-900ZA	*Y208M*...LATTE GOLD METALLIC	1	-	----- V	
	64300-K12-900ZB	*YR303M*	1	-	----- V	
		MAHOGANY BROWN METALLIC	1	-	----- V	
	64300-K12-900ZL	*NHB50M*	1	-	----- V	
		DAZZLE SILVER METALLIC	1	-	----- V	
	64300-K12-900ZH	*NHB25M*	-	1	----- 2V	
		POSEIDON BLACK METALLIC	-	1	----- 2V	
	64300-K12-900ZM	*Y183M*...ARIES GOLD METALLIC	-	1	----- 2V	
2	64305-K12-920	GRILLE, FR.	1	-	----- 2V	
	64305-K12-900ZA	*NHB24M*	1	-	----- V	
		ARTEMIS SILVER METALLIC	1	-	----- V	
	64305-K12-950	-	1	----- 2V	
	64305-K12-930ZA	*NHB24M*	-	1	----- V	
		ARTEMIS SILVER METALLIC	-	1	----- V	
3	64320-K12-900	COVER, FR. INNER	1	1		
4	64350-K12-900ZC	COVER, R. FR.	1	1	----- 2V	
		YR299P..PEARL EZ SHEEP GOLD	1	1	----- 2V	
	64350-K12-900ZF	*PB390M*EXALTED BLUE METALLIC	1	1	----- 2V	
	64350-K12-900ZG	*NHB35P*..PEARL JASMINE WHITE	1	1	----- 2V	
	64350-K12-900ZD	*R350C*.....CANDY NOBLE RED	1	1	----- V	
	64350-K12-900ZH	*NHB25M*	1	-	----- V	
		POSEIDON BLACK METALLIC	1	-	----- V	

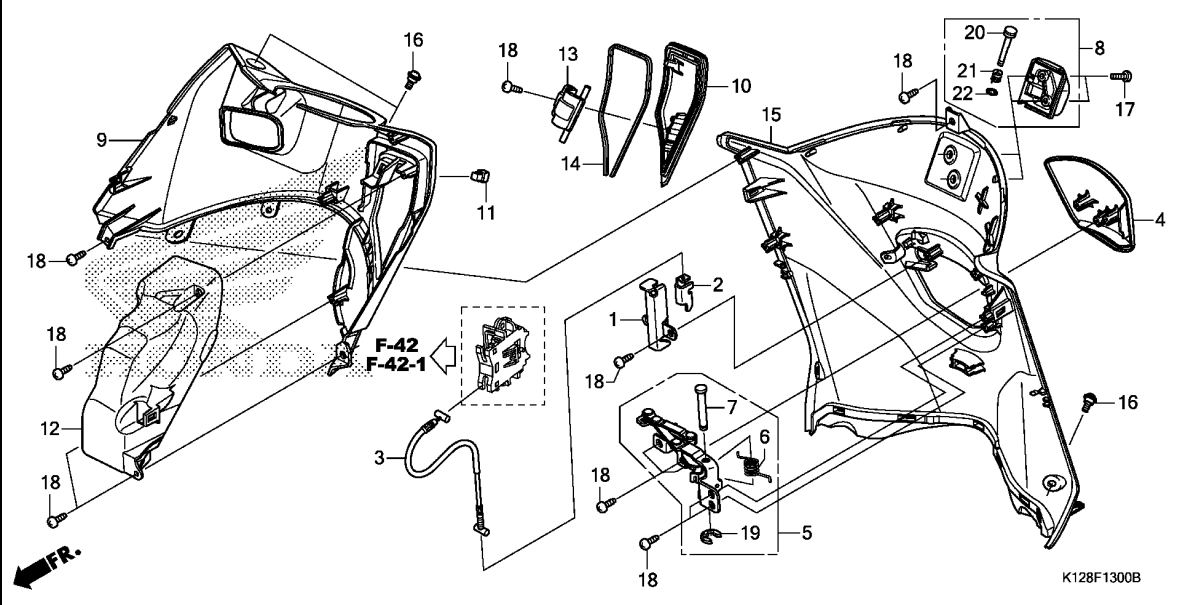


Ref. No.	Part No.	Description	Reqd. QTY		Serial No.	Parts catalogue code
			NHX125 D	F		
(4)	64350-K12-900ZA	COVER, R. FR. *Y208M*...LATTE GOLD METALLIC	1	-	-----	V
	64350-K12-900ZB	*YR303M* MAHOGANY BROWN METALLIC	1	-	-----	V
	64350-K12-900ZL	*NHB50M* DAZZLE SILVER METALLIC	1	-	-----	V
	64350-K12-900ZH	*NHB25M* POSEIDON BLACK METALLIC	-	1	-----	2V
	64350-K12-900ZM	*Y183M*...ARIES GOLD METALLIC	-	1	-----	2V
5	64360-K12-900ZC	COVER, L. FR. *YR299P*...PEARL EZ SHEEP GOLD	1	1	-----	2V
	64360-K12-900ZF	*PB390M*EXALTED BLUE METALLIC	1	1	-----	2V
	64360-K12-900ZG	*NHB35P*...PEARL JASMINE WHITE	1	1	-----	V
	64360-K12-900ZD	*R350C*...CANDY NOBLE RED	1	1	-----	V
	64360-K12-900ZH	*NHB25M* POSEIDON BLACK METALLIC	1	-	-----	V
	64360-K12-900ZA	*Y208M*...LATTE GOLD METALLIC	1	-	-----	V
	64360-K12-900ZB	*YR303M* MAHOGANY BROWN METALLIC	1	-	-----	V
	64360-K12-900ZL	*NHB50M* DAZZLE SILVER METALLIC	1	-	-----	V
	64360-K12-900ZH	*NHB25M* POSEIDON BLACK METALLIC	-	1	-----	2V
	64360-K12-900ZM	*Y183M*...ARIES GOLD METALLIC	-	1	-----	2V
6	90601-PV3-003	CLIP, AIR INTAKE DUCT PUSH ..	2	2		
7	90601-SJA-003	CLIP, SNAP FITTING	9	9		
8	90677-KAN-T00	NUT, CLIP, 5MM	4	4		
9	91509-GE2-760	SCREW, PAN, 5X11.5	2	2		

F-13

INNER COVER

G15



Ref. No.	L.O.N.	(Relative ref. Number) Description	F.R.T.
3		(1,2)	
	8111B6	CABLE, FUEL LID	0.7
4	3101B8	LID, FUEL	0.2
5	4131V0	HINGE, FUEL LID	0.2
8	4101P2	HOOK, LUGGAGE	0.1
9	4111H5	PANEL, INNER :UPPER	0.8
10	4101R5	LID, INNER BOX	0.1
12		(13)	
	4131B3	BOX, INNER	0.3
15	4111H6	PANEL, INNER :LOWER	0.8
	4111E6	PANEL, INNER :BOTH	0.8

3

Ref. No.	Part No.	Description	Reqd. QTY		Serial No.	Parts catalogue code
			NHX125 D	F		
1	64440-K12-900	BASE, SLIDE LOCK	1	1		
2	64445-K12-900	PLATE, SLIDER	1	1		
3	64455-K12-901	CABLE COMP., FUEL LID	1	-		
	64455-K12-930	-	1		
4	80160-K12-920	LID, FUEL	1	-	----- 2V	
	80160-K12-900	1	-	----- V	
	80160-K12-900ZA	*YR321R*...MACCHIATO BEIGE R	-	1	----- 2V	
	80160-K12-900ZB	*YR286R*...CASTAGNA BROWN R	-	1	----- 2V	
	80160-K12-900ZC	*NH1*...BLACK	-	1	----- V	
5	80165-K12-900	HINGE COMP., FUEL LID	1	-		
	80165-K12-930	-	1		
6	80166-K12-900	SPRING, FUEL LID	1	1		
7	80178-K12-900	PIN, HINGE	1	1		
8	81132-KTF-670	HOOK, LUGGAGE	1	1		
9	81140-K12-900ZC	COVER, UPPER INNER				
	YR299P...PEARL EZ SHEEP GOLD		1	-	----- 2V	
	81140-K12-900ZF	*PB390M*EXALTED BLUE METALLIC	1	-	----- 2V	
	81140-K12-900ZG	*NHB35P*...PEARL JASMINE WHITE	1	-		
	81140-K12-900ZH	*NHB25M*				
		POSEIDON BLACK METALLIC	1	-		
	81140-K12-900ZA	*Y208M*...LATTE GOLD METALLIC	1	-	----- V	
	81140-K12-900ZB	*YR303M*				
		MAHOGANY BROWN METALLIC	1	-	----- V	
	81140-K12-900ZD	*R350C*...CANDY NOBLE RED	1	-	----- V	
	81140-K12-900ZL	*NHB50M*				
		DAZZLE SILVER METALLIC	1	-	----- V	
	81140-K12-930ZA	*Y183M*...ARIES GOLD METALLIC	-	1	----- 2V	
	81140-K12-930ZB	*YR299P*...PEARL EZ SHEEP GOLD	-	1	----- 2V	

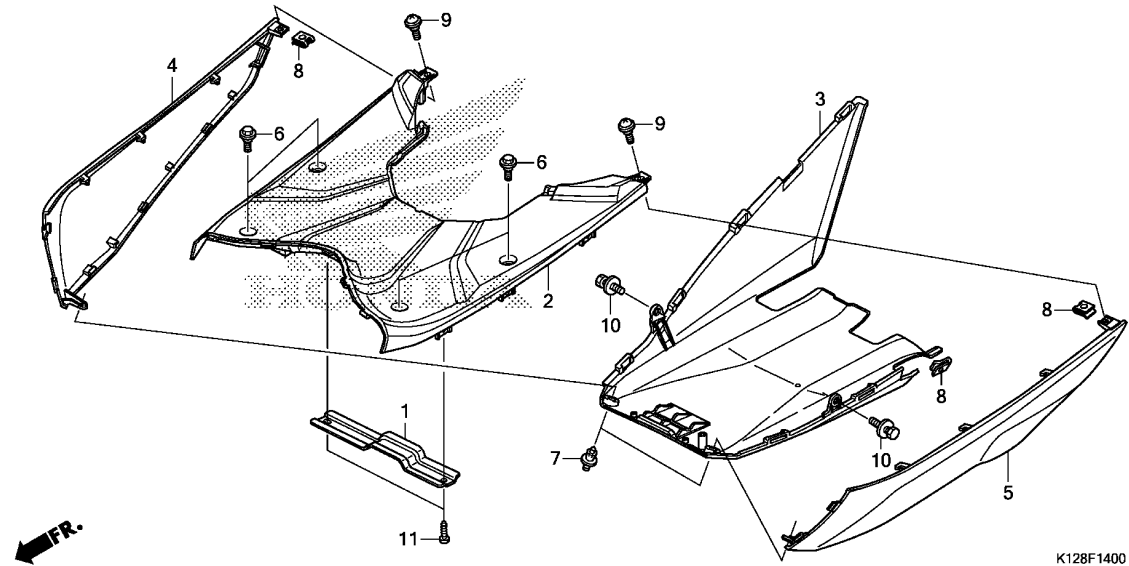
Ref. No.	Part No.	Description	Reqd. QTY		Serial No.	Parts catalogue code
			NHX125 D	F		
(9)	81140-K12-930ZD	COVER, UPPER INNER	-	1	-----	2V
		*PB390M*EXALTED BLUE METALLIC	-	1	-----	2V
	81140-K12-930ZF	*NHB25M*	-	1	-----	2V
		POSEIDON BLACK METALLIC	-	1	-----	2V
	81140-K12-930ZE	*NHB35P*..PEARL JASMINE WHITE	-	1	-----	V
	81140-K12-930ZC	*R350C*.....CANDY NOBLE RED	-	1	-----	V
10	81141-K12-900ZC	LID, INNER BOX	1	1	-----	2V
		YR299P..PEARL EZ SHEEP GOLD	1	1	-----	2V
	81141-K12-900ZF	*PB390M*EXALTED BLUE METALLIC	1	1	-----	2V
	81141-K12-900ZG	*NHB35P*..PEARL JASMINE WHITE	1	1	-----	V
	81141-K12-900ZD	*R350C*.....CANDY NOBLE RED	1	1	-----	V
	81141-K12-900ZH	*NHB25M*	1	-	-----	V
		POSEIDON BLACK METALLIC	1	-	-----	V
	81141-K12-900ZA	*Y208M*...LATTE GOLD METALLIC	1	-	-----	V
	81141-K12-900ZB	*YR303M*	1	-	-----	V
		MAHOGANY BROWN METALLIC	1	-	-----	V
	81141-K12-900ZL	*NHB50M*	1	-	-----	V
		DAZZLE SILVER METALLIC	1	-	-----	V
	81141-K12-900ZH	*NHB25M*	-	1	-----	2V
		POSEIDON BLACK METALLIC	-	1	-----	2V
	81141-K12-900ZM	*Y183M*...ARIES GOLD METALLIC	-	1	-----	2V
11	81142-K01-901	LATCH	1	1		
12	81142-K12-900	BOX, INNER	1	1		
13	81143-K12-900	HINGE, INNER BOX	1	1		
14	81146-K12-900	SEAL, INNER BOX LID	1	1		
15	81150-K12-920	COVER, LOWER INNER	1	-	-----	2V
	81150-K12-900	1	-	-----	V
	81150-K12-930ZA	*YR321R*...MACCHIATO BEIGE R	-	1	-----	2V
	81150-K12-930ZB	*YR286R*...CASTAGNA BROWN R	-	1	-----	2V
	81150-K12-930ZC	*NH1*.....BLACK	-	1	-----	V
16	91509-GE2-760	SCREW, PAN, 5X11.5	4	4		
17	93500-04016-0G	SCREW, PAN, 4X16	2	2		
18	93903-25310	SCREW, TAPPING, 5X16	12	12		
19	94540-06010	E-RING	1	1		
20	81136-KTF-670	PIN, HOOK	1	1		
21	81137-KTF-670	SPRING, HOOK	1	1		
22	81138-KTF-670	CIRCLIP,	1	1		



F-14

FLOOR STEP

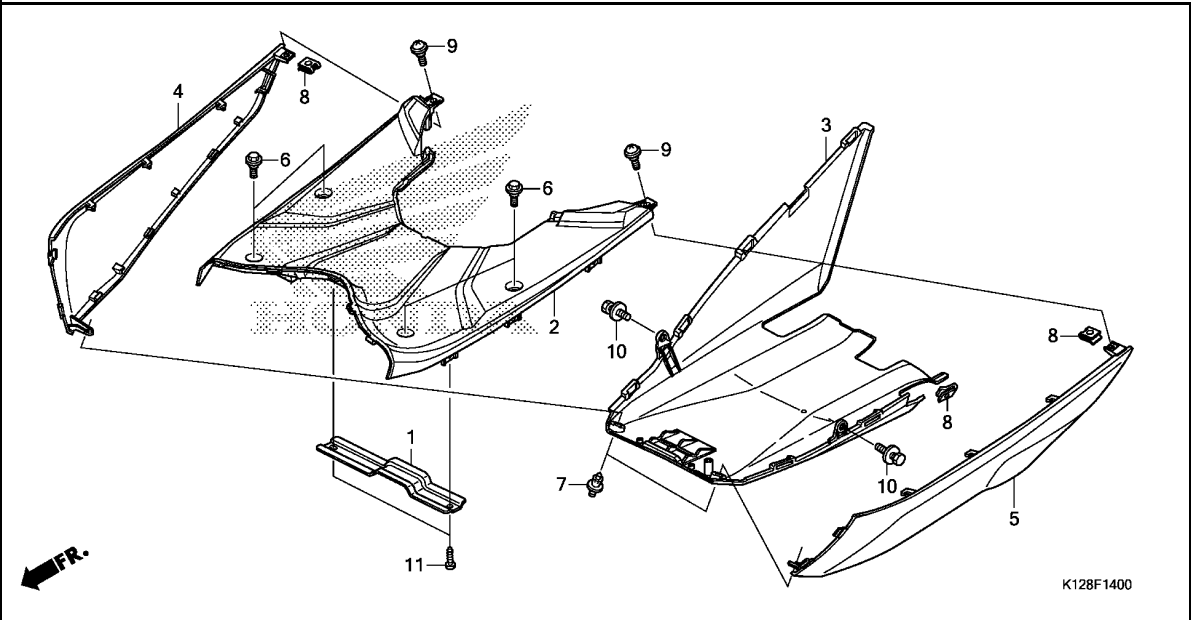
H 1



Ref. No.	L.O.N.	(Relative ref. Number) Description	F.R.T.
2	4131D2	STEP, FLOOR	0.3
3	4131B4	COVER, UNDER	0.3
4	4131J6	COVER, FLOOR SIDE :RIGHT	0.2
5	4131J5	COVER, FLOOR SIDE :LEFT	0.2
	4131X0	COVER, FLOOR SIDE :BOTH	0.3

3

Ref. No.	Part No.	Description	Reqd. QTY		Serial No.	Parts catalogue code
			NHX125 D	F		
1	50616-K12-900	STAY, FLOOR STEP	1	1		
2	64310-K12-920	STEP, FLOOR	1	-	----- 2V	
	64310-K12-900	1	-	----- V	
	64310-K12-900ZA	*YR321R*.....MACCHIATO BEIGE R	-	1	----- 2V	
	64310-K12-900ZB	*YR286R*.....CASTAGNA BROWN R	-	1	----- 2V	
	64310-K12-900ZC	*NH1*.....BLACK	-	1	----- V	
3	64315-K12-900	COVER, UNDER	1	1		
4	83510-K12-900ZC	COVER, R. FLOOR SIDE				
	YR299P..PEARL EZ SHEEP GOLD		1	1	----- 2V	
	83510-K12-900ZF	*PB390M*EXALTED BLUE METALLIC	1	1	----- 2V	
	83510-K12-900ZG	*NHB35P*..PEARL JASMINE WHITE	1	1		
	83510-K12-900ZD	*R350C*.....CANDY NOBLE RED	1	1	----- V	
	83510-K12-900ZH	*NHB25M*				
		POSEIDON BLACK METALLIC	1	-	-----	
	83510-K12-900ZA	*Y208M*...LATTE GOLD METALLIC	1	-	----- V	
	83510-K12-900ZB	*YR303M*				
		MAHOGANY BROWN METALLIC	1	-	----- V	
	83510-K12-900ZL	*NHB50M*				
		DAZZLE SILVER METALLIC	1	-	----- V	
	83510-K12-900ZH	*NHB25M*				
		POSEIDON BLACK METALLIC	-	1	----- 2V	
	83510-K12-900ZM	*Y183M*...ARIES GOLD METALLIC	-	1	----- 2V	
5	83610-K12-900ZC	COVER, L. FLOOR SIDE				
	YR299P..PEARL EZ SHEEP GOLD		1	1	----- 2V	
	83610-K12-900ZF	*PB390M*EXALTED BLUE METALLIC	1	1	----- 2V	
	83610-K12-900ZG	*NHB35P*..PEARL JASMINE WHITE	1	1		
	83610-K12-900ZD	*R350C*.....CANDY NOBLE RED	1	1	----- V	
	83610-K12-900ZH	*NHB25M*				
		POSEIDON BLACK METALLIC	1	-		

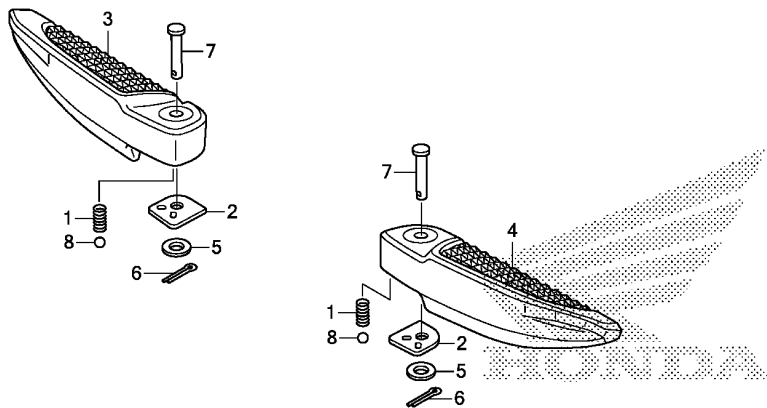


Ref. No.	Part No.	Description	Reqd. QTY		Serial No.	Parts catalogue code
			NHX125 D	F		
(5)	83610-K12-900ZA	COVER, L. FLOOR SIDE	1	-	----- V	
	83610-K12-900ZB	*Y208M*...LATTE GOLD METALLIC *YR303M* MAHOGANY BROWN METALLIC	1	-	----- V	
	83610-K12-900ZL	*NHB50M* DAZZLE SILVER METALLIC	1	-	----- V	
	83610-K12-900ZH	*NHB25M* POSEIDON BLACK METALLIC	-	1	----- 2V	
	83610-K12-900ZM	*Y183M*...ARIES GOLD METALLIC	-	1	----- 2V	
6	90111-187-000	BOLT, FLANGE, 6MM	4	4		
7	90116-SPO-003	CLIP, BUMPER SEAL	2	2		
8	90677-KAN-T00	NUT, CLIP, 5MM	3	3		
9	91509-GE2-760	SCREW, PAN, 5X11.5	2	2		
10	93404-06012-00	BOLT-WASHER, 6X12	2	2		
11	93903-25310	SCREW, TAPPING, 5X16	2	2		

F-14-10

PILLION STEP

H 3



FR.

K128F1410

Ref. No.	L.O.N.	(Relative ref. Number) Description	F.R.T.
3	4101C8	BAR, PILLION STEP :RIGHT	0.2
4	4101C7	BAR, PILLION STEP :LEFT	0.2
	4101P4	BAR, PILLION STEP :BOTH	0.3

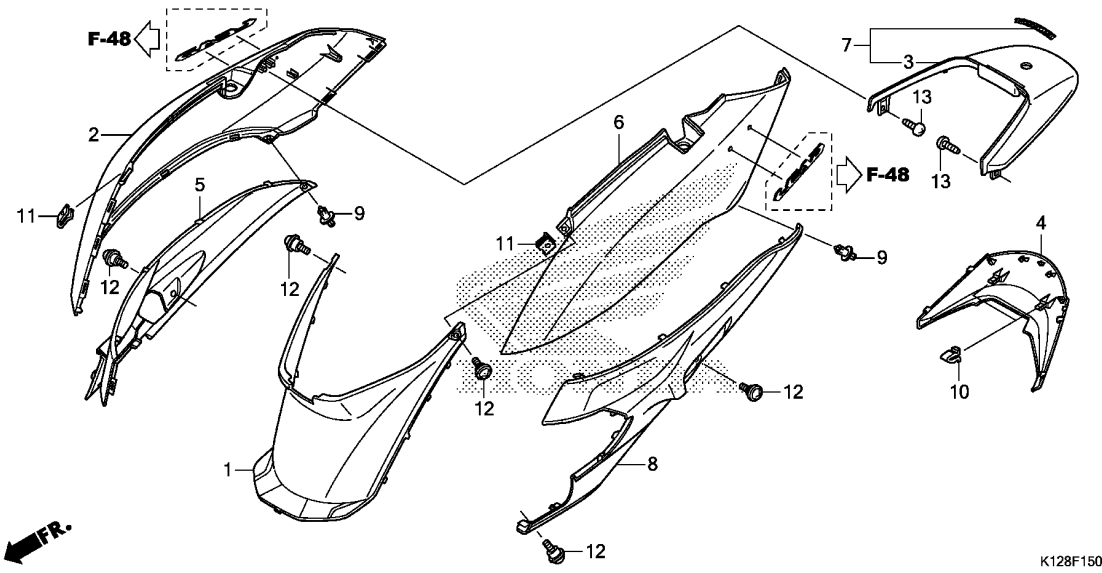
3

Ref. No.	Part No.	Description	Reqd. QTY		Serial No.	Parts catalogue code
			NHX125 D	F		
1	28333-300-000	SPRING, KICK STARTER STOPPER	2	2		
2	50718-K12-900	PLATE, PILLION STEP CLICK ...	2	2		
3	50720-K12-900	ARM, R. PILLION STEP	1	1		
4	50730-K12-900	ARM, L. PILLION STEP	1	1		
5	94101-06000	WASHER, PLAIN, 6MM	2	2		
6	94201-16150	PIN, SPLIT, 1.6X15	2	2		
7	95015-81000	PIN A, PILLION STEP	2	2		
8	96211-08000	BALL, STEEL, #8(1/4)	2	2		

F-15

BODY COVER

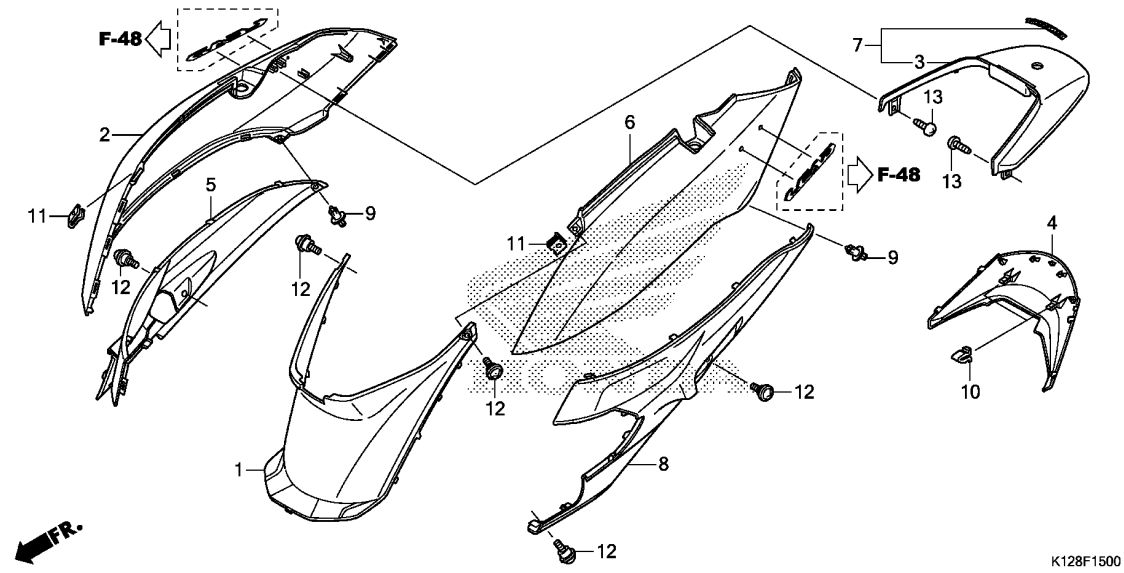
H 4



Ref. No.	L.O.N.	(Relative ref. Number) Description	F.R.T.
1	4131R6	COVER, BODY :CENTER	0.1
2	4131J0	COVER, BODY :RIGHT	0.5
4	413124	COVER, REAR UNDER	0.1
5	4131J4	COVER, BODY SIDE :RIGHT	0.2
6	4131H9	COVER, BODY :LEFT	0.5
7	4131J1	COVER, BODY :BOTH	0.5
		(3)	
	4131J8	COVER, REAR CENTER	0.4
8	4131J3	COVER, BODY SIDE :LEFT	0.2
	4131L6	COVER, BODY SIDE :BOTH	0.2

Ref. No.	Part No.	Description	Reqd. QTY		Serial No.	Parts catalogue code
			NHX125 D	F		
1	80151-K12-920	COVER, CENTER	1	-	-----	2V
	80151-K12-900	1	-	-----	V
	80151-K12-900ZA	*YR321R*...MACCHIATO BEIGE R	-	1	-----	2V
	80151-K12-900ZB	*YR286R*...CASTAGNA BROWN R	-	1	-----	2V
	80151-K12-900ZC	*NH1*.....BLACK	-	1	-----	V
2	83500-K12-900ZC	COVER, R. BODY				
		YR299P..PEARL EZ SHEEP GOLD	1	1	-----	2V
	83500-K12-900ZF	*PB390M*EXALTED BLUE METALLIC	1	1	-----	2V
	83500-K12-900ZG	*NHB35P*..PEARL JASMINE WHITE	1	1	-----	V
	83500-K12-900ZD	*R350C*.....CANDY NOBLE RED	1	1	-----	V
	83500-K12-900ZH	*NHB25M*				
		POSEIDON BLACK METALLIC	1	-	-----	V
	83500-K12-900ZA	*Y208M*...LATTE GOLD METALLIC	1	-	-----	V
	83500-K12-900ZB	*YR303M*				
		MAHOGANY BROWN METALLIC	1	-	-----	V
	83500-K12-900ZL	*NHB50M*				
		DAZZLE SILVER METALLIC	1	-	-----	V
	83500-K12-900ZH	*NHB25M*				
		POSEIDON BLACK METALLIC	-	1	-----	2V
	83500-K12-900ZM	*Y183M*...ARIES GOLD METALLIC	-	1	-----	2V
3	83502-K12-900ZC	COVER, RR. CENTER				
		YR299P..PEARL EZ SHEEP GOLD	1	-	-----	2V
	83502-K12-900ZF	*PB390M*EXALTED BLUE METALLIC	1	-	-----	2V
	83502-K12-900ZG	*NHB35P*..PEARL JASMINE WHITE	1	-	-----	V
	83502-K12-900ZH	*NHB25M*				
		POSEIDON BLACK METALLIC	1	-	-----	V
	83502-K12-900ZA	*Y208M*...LATTE GOLD METALLIC	1	-	-----	V
	83502-K12-900ZB	*YR303M*				
		MAHOGANY BROWN METALLIC	1	-	-----	V

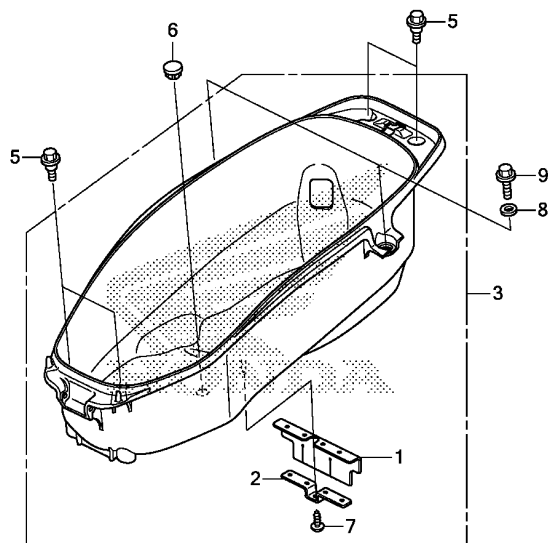
3



Ref. No.	Part No.	Description	Reqd. QTY		Serial No.	Parts catalogue code
			NHX125 D	F		
(3)	83502-K12-900ZD	COVER, RR. CENTER *R350C*.....CANDY NOBLE RED	1	-	-----	V
	83502-K12-900ZL	*NHB50M* DAZZLE SILVER METALLIC	1	-	-----	V
4	83503-K12-900ZC	COVER, RR. LOWER *YR299P*..PEARL EZ SHEEP GOLD	1	1	-----	2V
	83503-K12-900ZF	*PB390M*EXALTED BLUE METALLIC	1	1	-----	2V
	83503-K12-900ZG	*NHB35P*..PEARL JASMINE WHITE	1	1	-----	V
	83503-K12-900ZD	*R350C*.....CANDY NOBLE RED	1	1	-----	V
	83503-K12-900ZH	*NHB25M* POSEIDON BLACK METALLIC	1	-	-----	V
	83503-K12-900ZA	*Y208M*...LATTE GOLD METALLIC	1	-	-----	V
	83503-K12-900ZB	*YR303M* MAHOGANY BROWN METALLIC	1	-	-----	V
	83503-K12-900ZL	*NHB50M* DAZZLE SILVER METALLIC	1	-	-----	V
	83503-K12-900ZH	*NHB25M* POSEIDON BLACK METALLIC	-	1	-----	2V
	83503-K12-900ZM	*Y183M*...ARIES GOLD METALLIC	-	1	-----	2V
5	83520-K12-920	COVER, R. CENTER SIDE	1	-	-----	2V
	83520-K12-900	1	-	-----	V
	83520-K12-900ZA	*YR321R*....MACCHIATO BEIGE R	-	1	-----	2V
	83520-K12-900ZB	*YR286R*.....CASTAGNA BROWN R	-	1	-----	2V
	83520-K12-900ZC	*NH1*.....BLACK	-	1	-----	V
6	83600-K12-900ZC	COVER, L. BODY *YR299P*..PEARL EZ SHEEP GOLD	1	1	-----	2V
	83600-K12-900ZF	*PB390M*EXALTED BLUE METALLIC	1	1	-----	2V
	83600-K12-900ZG	*NHB35P*..PEARL JASMINE WHITE	1	1	-----	V

Ref. No.	Part No.	Description	Reqd. QTY		Serial No.	Parts catalogue code
			NHX125 D	F		
(6)	83600-K12-900ZD	COVER, L. BODY				
		R350C.....CANDY NOBLE RED	1	1	-----	V
	83600-K12-900ZH	*NHB25M* POSEIDON BLACK METALLIC	1	-	-----	
	83600-K12-900ZA	*Y208M*....LATTE GOLD METALLIC	1	-	-----	V
	83600-K12-900ZB	*YR303M* MAHOGANY BROWN METALLIC	1	-	-----	V
	83600-K12-900ZL	*NHB50M* DAZZLE SILVER METALLIC	1	-	-----	V
	83600-K12-900ZH	*NHB25M* POSEIDON BLACK METALLIC	-	1	-----	2V
	83600-K12-900ZM	*Y183M*....ARIES GOLD METALLIC	-	1	-----	2V
7	83603-K12-900ZC	COVER SET, RR. CENTER(WL)				
		TYPE7.....	1	1	-----	2V
	83603-K12-900ZD	*TYPE6*.....	1	1	-----	2V
	83603-K12-900ZH	*TYPE2*.....	1	1	-----	
	83603-K12-900ZG	*TYPE3*.....	1	1	-----	V
	83603-K12-900ZK	*TYPE1*.....	1	-	-----	
	83603-K12-900ZA	*TYPE9*.....	1	-	-----	V
	83603-K12-900ZE	*TYPE5*.....	1	-	-----	V
	83603-K12-900ZF	*TYPE4*.....	1	-	-----	V
	83603-K12-900ZK	*TYPE1*.....	-	1	-----	2V
	83603-K12-950ZA	*TYPE1*.....	-	1	-----	2V
8	83620-K12-920	COVER COMP., L. CENTER SIDE	1	-	-----	2V
	83620-K12-900	1	-	-----	V
	83620-K12-900ZA	*YR321R*....MACCHIATO BEIGE R	-	1	-----	2V
	83620-K12-900ZB	*YR286R*....CASTAGNA BROWN R	-	1	-----	2V
	83620-K12-900ZC	*NH1*.....BLACK	-	1	-----	V
9	90116-SPO-003	CLIP, BUMPER SEAL	2	2		
10	90601-SJA-003	CLIP, SNAP FITTING	2	2		
11	90677-KAN-T00	NUT, CLIP, 5MM	2	2		
12	91509-GE2-760	SCREW, PAN, 5X11.5	5	5		
13	93903-25310	SCREW, TAPPING, 5X16	2	2		



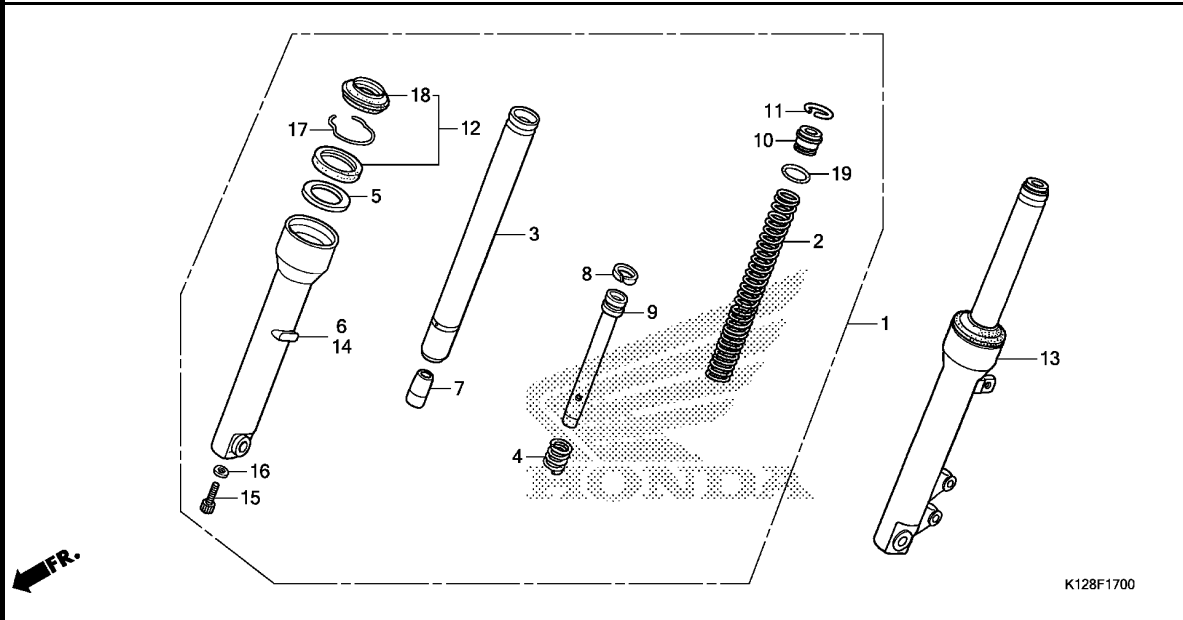


K128F1600A

Ref. No.	L.O.N. (Relative ref. Number)	Description	F.R.T.
3	412102	BOX, LUGGAGE	0.2

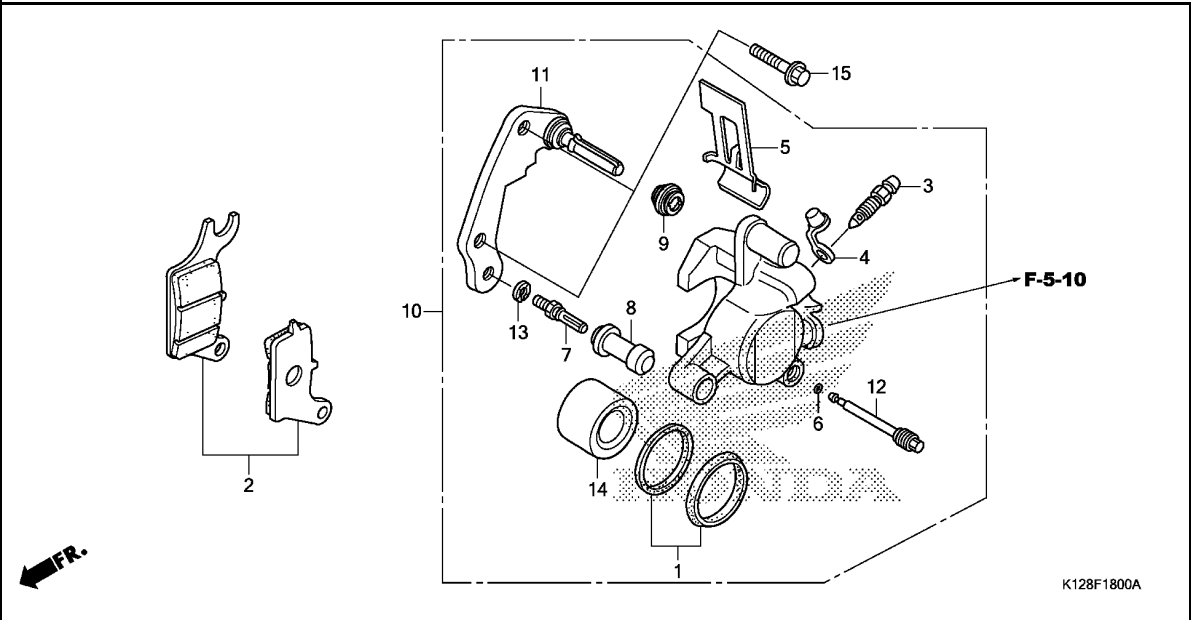
3

Ref. No.	Part No.	Description	Reqd. QTY		Serial No.	Parts catalogue code
			NHX125 D	F		
1	81257-K12-900	GUARD, SPLASH	1	1		
2	81258-K12-900	STAY, SPLASH GUARD	1	1		
3	81260-K12-900	BOX ASSY., LUGGAGE	1	-		
	81260-K12-930	-	1		
5	90111-187-000	BOLT, FLANGE, 6MM	4	4		
6	90656-GCC-000ZC	PLUG, HOLE				
		NH1.....BLACK	1	1		
7	93903-25310	SCREW, TAPPING, 5X16	1	1		
8	94103-08000	WASHER, PLAIN, 8MM	2	2		
9	95701-08030-00	BOLT, FLANGE, 8X30	2	2		



Ref. No.	L.O.N.	(Relative ref. Number) Description	F.R.T.
1	5111C3	FORK ASSY., FRONT :RIGHT	0.4
2	5111C5	SPRING, FRONT FORK :LEFT	0.6
	5111C6	SPRING, FRONT FORK :RIGHT	0.6
	5111C7	SPRING, FRONT FORK :BOTH	0.9
3		(4,7,8,9)	
	5111G2	PIPE, FRONT FORK :LEFT	0.8
	5111G3	PIPE, FRONT FORK :RIGHT	0.8
	5111G4	PIPE, FRONT FORK :BOTH	1.3
6	5111D2	CASE, BOTTOM :RIGHT	0.9
12	5111E7	SEAL SET, FRONT FORK :LEFT ...	0.9
	5111E8	SEAL SET, FRONT FORK :RIGHT ..	0.9
	5111E9	SEAL SET, FRONT FORK :BOTH ...	1.5
13	5111C2	FORK ASSY., FRONT :LEFT	0.4
	5111C4	FORK ASSY., FRONT :BOTH	0.5
14	5111D1	CASE, BOTTOM :LEFT	0.9
	5111D3	CASE, BOTTOM :BOTH	1.5

Ref. No.	Part No.	Description	Reqd. QTY		Serial No.	Parts catalogue code
			NHX125 D	F		
1	51400-K12-901	FORK ASSY., R. FR.(SHOWA) ...	1	1		
2	51401-K12-901	SPRING, FR. FORK	2	2		
3	51410-K12-901	PIPE COMP., FR. FORK	2	2		
4	51412-369-000	SPRING, FR. CUSHION REBOUND ..	2	2		
5	51412-KK4-003	RING, BACK UP	2	2		
6	51420-K12-901	CASE COMP., R. FR. BOTTOM ...	1	1		
7	51432-GGE-941	PIECE, OIL LOCK	2	2		
8	51437-413-003	RING, PISTON	2	2		
9	51440-K12-901	PIPE, SEAT	2	2		
10	51454-GGE-941	SEAT B, SPRING	2	2		
11	51456-355-003	RING, STOPPER(SHOWA)	2	2		
12	51490-KRM-852	SEAL SET, FR. FORK	2	2		
13	51500-K12-901	FORK ASSY., L. FR.(SHOWA) ...	1	1		
14	51520-K12-901	CASE COMP., L. FR. BOTTOM ...	1	1		
15	90116-383-721	BOLT, SOCKET, 8X27	2	2		
16	90544-283-000	WASHER, SPECIAL, 8MM(SHOWA) ..	2	2		
17	90601-354-000	RING, OIL SEAL STOP	2	2		
18	91254-GAA-003	SEAL, DUST	2	2		
19	91356-GBB-003	O-RING	2	2		



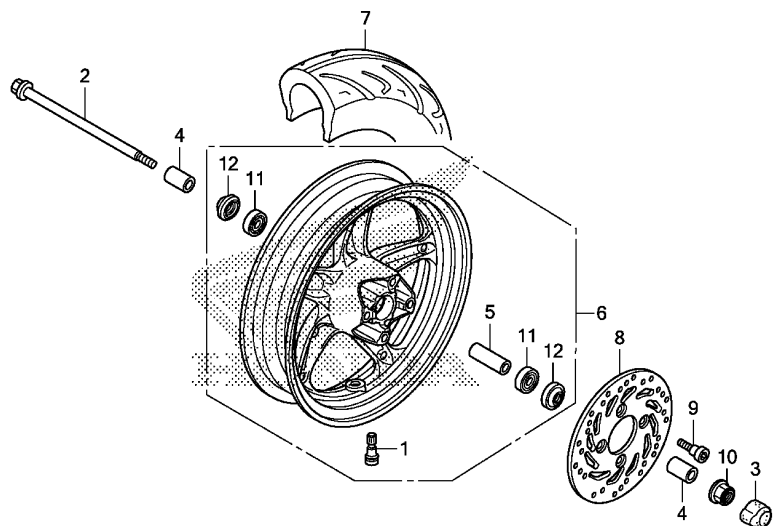
Ref. No.	L.O.N.	(Relative ref. Number) Description	F.R.T.
2	711115	SHOE(PAD) SET, BRAKE :FRONT ..	0.1
10	711130	CALIPER, FRONT BRAKEINCLUDES: Bleed brakes	0.5
11	711160	BRACKET, FRONT CALIPER	0.2
14	7111D1	PISTON, FRONT BRAKE CALIPER .. .INCLUDES: Bleed brakes	0.6

Ref. No.	Part No.	Description	Reqd. QTY		Serial No.	Parts catalogue code
			NHX125 D	F		
1	06451-961-405	SEAL SET, PISTON	1	1		
2	06455-KVB-T01	PAD SET, FR. BRAKE	1	1		
3	43352-568-003	SCREW, BLEEDER(NISSIN)	1	1		
4	43353-461-771	CAP, BLEEDER	1	1		
5	45108-KVB-T01	SPRING, PAD	1	1		
6	45111-MAJ-G41	RING, STOPPER	1	1		
7	45131-GZO-006	BOLT, PIN	1	1		
8	45132-166-016	BOOT, PIN BUSH(NISSIN)	1	1		
9	45133-MA3-006	BOOT B	1	1		
10	45150-K12-901	CALIPER SUB ASSY., L. FR. (NISSIN)	1	-		
	45150-K12-902	-	1		
11	45190-K12-901	BRACKET SUB ASSY., FR. CALIPER	1	1		
12	45215-KPH-951	PIN, HANGER	1	1		
13	45216-166-006	WASHER, WAVE	1	1		
14	45218-KWB-601	PISTON	1	1		
15	90155-KSP-900	BOLT, FLANGE, 8X25	2	2		

F-20-40

FRONT WHEEL

H10

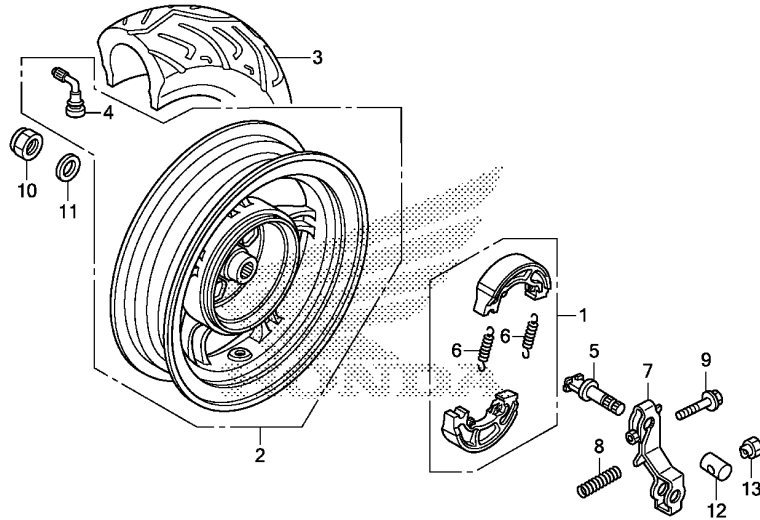


K128F2040

Ref. No.	L.O.N.	(Relative ref. Number) Description	F.R.T.
2		(12)	
710151		AXLE, FRONT WHEEL	0.2
6 7101D4		FRONT WHEEL	0.6
7 710139		FRONT TIRE(ONE)	0.5
8 711120		DISC, FRONT BRAKE	0.3
11 710115		BEARING, FRONT WHEEL(ONE)	0.4
710115G		.ReplacE 1 bearing add	0.1

Ref. No.	Part No.	Description	Reqd. QTY		Serial No.	Parts catalogue code
			NHX125 D	F		
1	42753-K12-901	VALVE, RIM(CST)	1	1		
	42753-MR4-901	VALVE, RIM(SCHRADER)	1	-		
2	44301-GGE-900	AXLE, FR. WHEEL	1	1		
3	44302-383-610	CAP, AXLE NUT	1	1		
4	44311-GCC-930	COLLAR, L. FR. WHEEL SIDE ...	2	2		
5	44620-GW3-980	COLLAR, FR. AXLE DISTANCE ...	1	1		
	44620-GC8-000	1	-		
6	44650-K12-900ZA	WHEEL SUB ASSY., FR. *NH364M*SHEEN SILVER METALLIC	1	-		
	44650-K12-930ZA	*NH364M*SHEEN SILVER METALLIC	-	1		
7	44711-K12-901	TIRE, FR.(CST)(90/90-12 44J)	1	-		
	44711-K12-902	-	1		
8	45351-K12-900	DISK, FR. BRAKE	1	1		
	45351-GGE-940	1	-		
9	90105-KGH-900	BOLT, BRAKE DISK, 8X24	4	4		
10	90306-KGH-901	NUT, U, 12MM(FUJI SEIMITSU) -	1	1		
11	90912-GC8-003	BEARING, RADIAL BALL, 6201U (NTN)	2	-		
	90912-GC8-005	BEARING, RADIAL BALL, 6201U (NSK)	2	-		
	91052-K24-901	BEARING, RADIAL BALL(6201U L) (NSK)	-	2		
	91052-K24-904	BEARING, RADIAL BALL(6201U L) (FAG)	-	2		
12	91257-HB3-003	DUST SEAL, 35X20X7(ARAI)	2	2		
	91257-GFM-900	DUST SEAL, 35X20X7(KOK)	2	-		

3

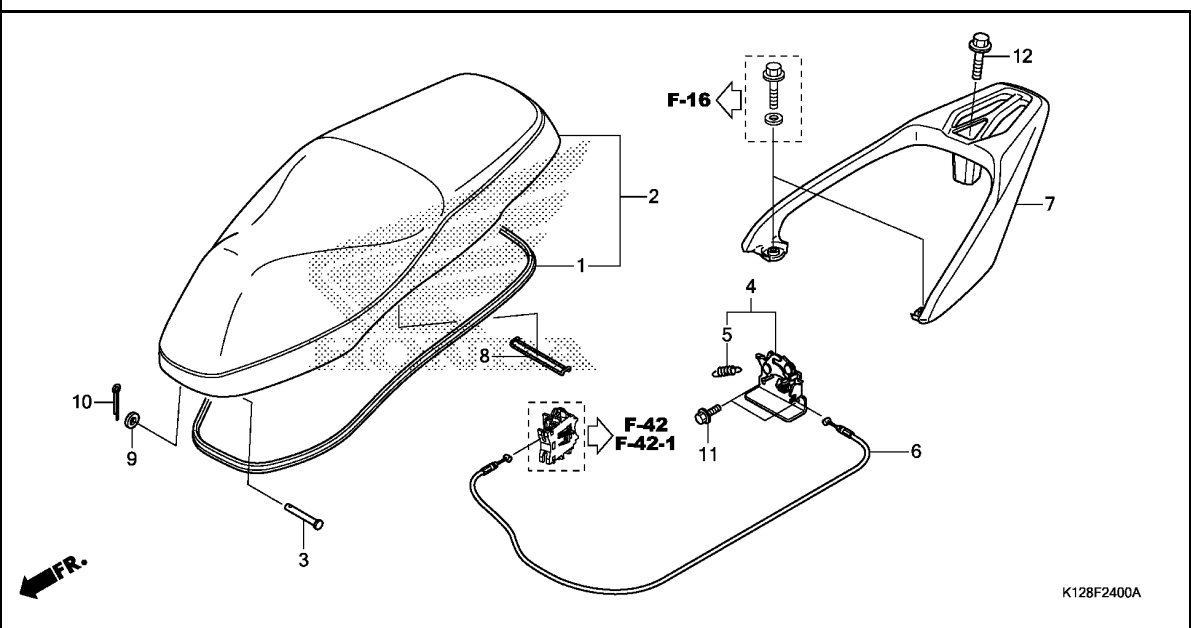


Ref. No.	L.O.N.	(Relative ref. Number) Description	F.R.T.
1	711140	SHOE(PAD) SET, BRAKE :REAR ...	0.4
2	710118	REAR WHEEL	0.6
3	710142	REAR TIRE(ONE)	0.6
5	7111B4	CAM, BRAKE :REAR	0.5
7	7111C4	ARM, BRAKE :REAR	0.5

K128F2230

3

Ref. No.	Part No.	Description	Reqd. QTY		Serial No.	Parts catalogue code
			NHX125 D	F		
1	06430-KWN-900	SHOE SET, BRAKE(JB)	1	1		
2	42650-K12-900ZA	WHEEL SUB ASSY., RR. *NH364M*SHEEN SILVER METALLIC	1	-		
	42650-K12-930ZA	*NH364M*SHEEN SILVER METALLIC	-	1		
3	42711-K12-901	TIRE, RR.(CST)(100/90-10 56J)	1	1		
4	42753-K12-911	VALVE, RIM(CST)	1	1		
5	43141-K12-900	CAM, RR. BRAKE	1	1		
6	43151-329-000	SPRING, BRAKE SHOE	2	2		
7	43410-K12-900	ARM, RR. BRAKE	1	1		
8	43472-KVB-900	SPRING, RR. BRAKE ARM	1	1		
9	90112-KVB-900	BOLT, FLANGE, 6X32	1	1		
10	90305-KVB-901	NUT, U, 16MM	1	1		
11	90501-KBN-900	WASHER, 16MM	1	1		
12	95015-32001	JOINT B, BRAKE ARM	1	1		
13	95015-42000	NUT B, BRAKE ROD ADJUSTING ..	1	1		



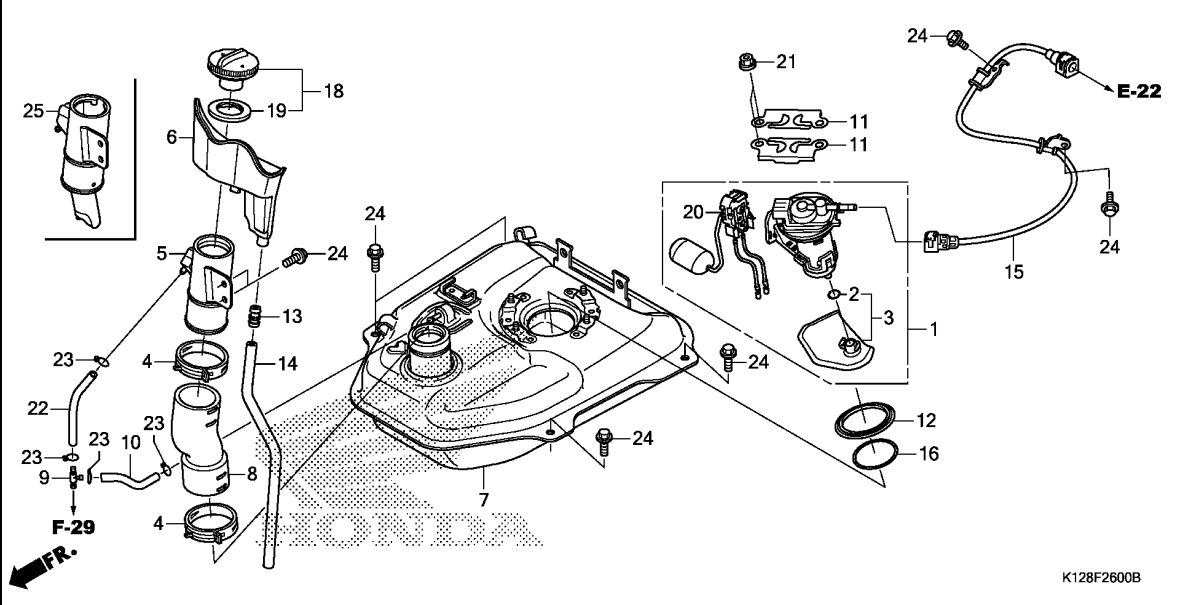
Ref. No.	L.O.N.	(Relative ref. Number) Description	F.R.T.
2		(1)	
4131E4		SEAT :DOUBLE	0.2
4		(5)	
4131E8		CATCH, SEAT :REAR SIDE	0.2
6		811175 CABLE, SEAT LOCK	0.6
7		410165 CARRIER, LUGGAGE	0.1

Ref. No.	Part No.	Description	Reqd. QTY		Serial No.	Parts catalogue code
			NHX125	D F		
1	77115-K12-900	RUBBER, SEAL	1	1		
2	77200-K12-920ZA	SEAT COMP., DOUBLE				
		TYPE1.....	1	1	-----	2V
	77200-K12-900ZB	*TYPE1*.....	1	1	-----	V
	77200-K12-950ZA	*TYPE1*.....	-	1	-----	2V
3	77215-KZL-930	PIN, SEAT HINGE	1	1		
4	77230-K12-900	CATCH COMP., SEAT	1	1		
5	77234-KYZ-900	SPRING, SEAT LOCK	1	1		
6	77240-K12-901	CABLE COMP., SEAT LOCK	1	1		
7	81200-K12-900ZA	CARRIER, LUGGAGE				
		NHB24M				
		ARTEMIS SILVER METALLIC	1	1		
8	89012-KZL-930	BAND, TOOL	1	1		
9	94101-08000	WASHER, PLAIN, 8MM	1	1		
10	94201-16180	PIN, SPLIT, 1.6X18	1	1		
11	95701-06012-00	BOLT, FLANGE, 6X12	2	2		
12	95701-08030-00	BOLT, FLANGE, 8X30	1	1		

F-26

FUEL TANK

H13



Ref. No.	L.O.N.	(Relative ref. Number) Description	F.R.T.
1		(12,16)	
1	310120	PUMP ASSY., FUEL	0.6
3		(2)	
3	3101C7	FILTER, FUEL	0.7
5		(8,25)	
	3101G6	FILLER, FUEL	0.8
6	3101A7	TRAY, FUEL TANK	0.7
7	310100	TANK, FUEL	1.0
15	310162	HOSE, FUEL FEED	0.6
20	617105	FUEL TANK SENDING UNIT	0.7

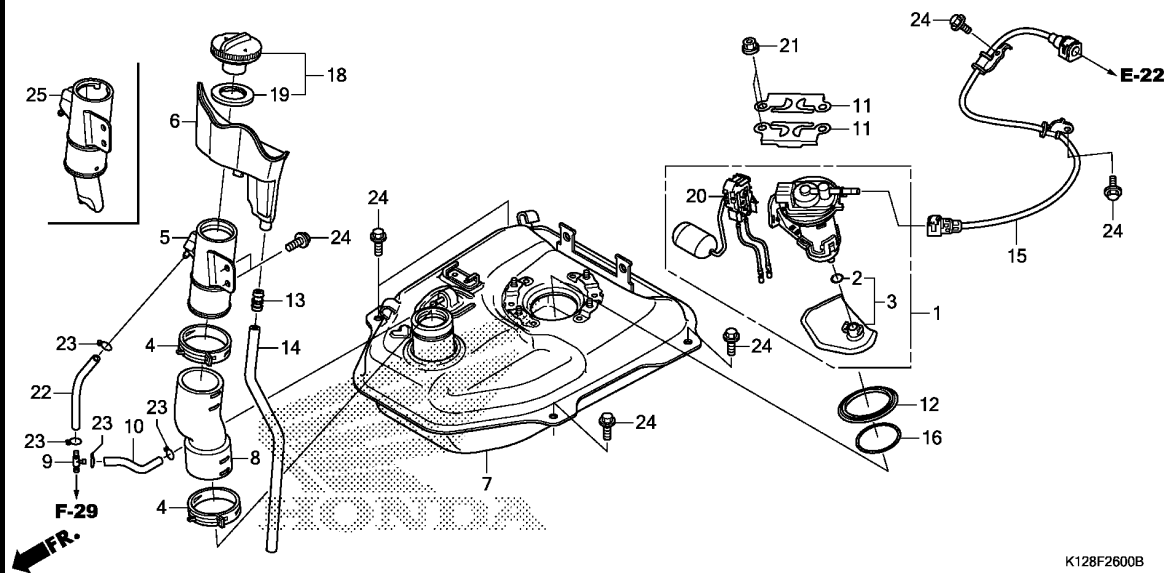
3

Ref. No.	Part No.	Description	Reqd. QTY		Serial No.	Parts catalogue code
			NHX125 D	F		
1	16700-K12-901	PUMP UNIT, FUEL	1	-		
	16700-K12-931	-	1		
2	16706-GGL-J01	O-RING, 6.8X1.9	1	1		
3	16707-K12-901	FILTER SET	1	1		
4	17231-PFB-003	CLAMP, TUBE(D49)	2	2		
5	17501-K12-900	METAL COMP., FUEL FILLER	1	-		
6	17505-K12-900	TRAY, FUEL	1	1		
7	17510-K12-900	TANK COMP., FUEL	1	1		
8	17511-K12-900	TUBE, FUEL JOINT	1	-		
	17511-K12-930	-	1		
9	17515-K12-900	JOINT, 3WAY	1	1		
10	17516-K12-900	TUBE, BREATHER	1	1		
11	17517-GGL-J00	RETAINER, FUEL PUMP	2	2		
12	17518-GGL-J00	DUST SEAL	1	1		
13	17525-KBN-900	JOINT, FUEL TUBE	1	1		
14	17526-K12-900	TUBE, DRAIN	1	1		
15	17570-K12-901	HOSE COMP., FUEL FEED	1	1		
16	17572-GGL-J00	O-RING, FUEL PUMP	1	1		
18	17620-KWN-981	CAP COMP., FUEL FILLER	1	1		
19	17632-383-831	PACKING, FUEL FILLER CAP	1	1		
20	37800-K12-901	FUEL UNIT	1	-		
	37800-K12-931	-	1		
21	94050-06000	NUT, FLANGE, 6MM	4	4		
22	95001-45110-40	TUBE, FUEL, 4.5X110 (95001-45001-60M)	1	1		

F-26

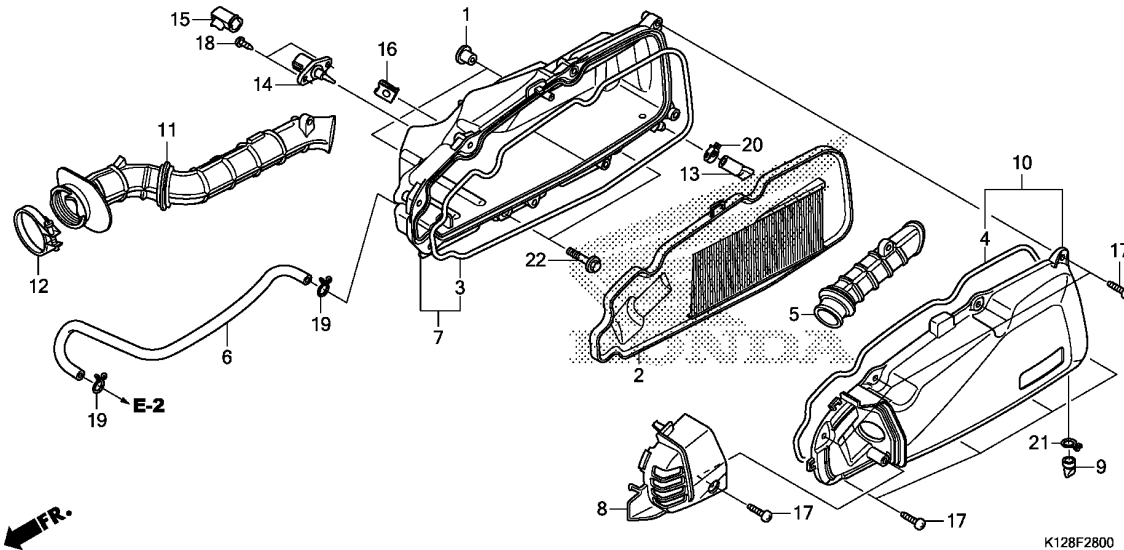
FUEL TANK

H14



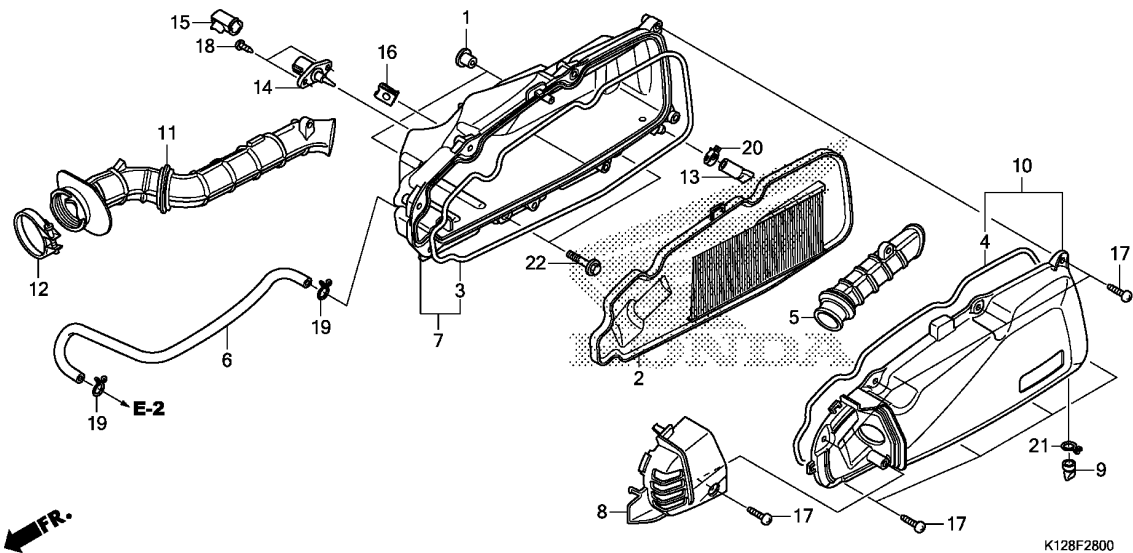
Ref. No.	Part No.	Description	Reqd. QTY		Serial No.	Parts catalogue code
			NHX125 D	F		
23	95002-02080	CLIP, TUBE(B8)	4	4		
24	95701-06012-00	BOLT, FLANGE, 6X12	8	8		
25	17501-K12-930	METAL COMP., FUEL FILLER	-	1		

3

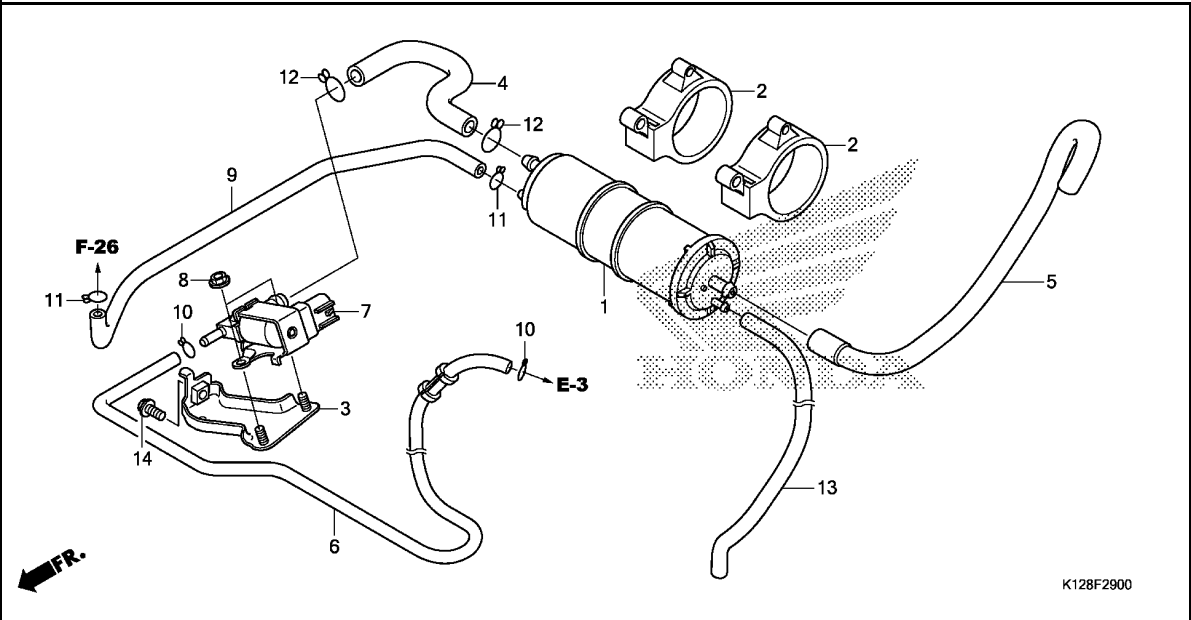


Ref. No.	L.O.N.	(Relative ref. Number) Description	F.R.T.
2		(3,4)	
	312105	ELEMENT, AIR CLEANER	0.3
7	3121A5	CASE, AIR CLEANER	0.5
10		(5)	
	312102	COVER, AIR CLEANER CASE	0.4
11	3121B6	TUBE, AIR CLEANER CONNECTING ..	0.5
14	617120	SENSOR, AIR TEMP	0.2

Ref. No.	Part No.	Description	Reqd. QTY		Serial No.	Parts catalogue code
			NHX125 D	F		
1	17208-GGE-900	COLLAR, AIR CLEANER SETTING ..	2	2		
2	17210-K12-900	ELEMENT COMP., AIR CLEANER ..	1	-		
	17210-K12-930	-	1		
3	17213-K12-900	SEAL, AIR CLEANER	1	1		
4	17213-K12-900	SEAL, AIR CLEANER	1	1		
5	17215-K12-900	DUCT, AIR CLEANER	1	1		
6	17218-K12-900	TUBE, BREATHER	1	1		
7	17225-K12-900	CASE SUB ASSY., AIR CLEANER ..	1	-		
	17225-K12-930	-	1		
8	17234-K12-900	COVER, AIR CLEANER DUCT	1	1		
9	17236-KVB-900	PLUG, AIR CLEANER DRAIN	1	1		
10	17245-K12-900	COVER SUB ASSY., AIR CLEANER ..	1	-		
	17245-K12-930	-	1		
11	17253-K12-900	TUBE, AIR CLEANER CONNECTING	1	1		
12	17256-KWZ-900	BAND, AIR CLEANER CONNECTING				
		TUBE(44)	1	1		
13	17261-KVB-T00	TUBE, DRAIN	1	-		
	17261-K12-930	-	1		
14	37880-KWW-C01	SENSOR ASSY., AIR TEMP	1	1		
15	37881-KZL-E00	COVER, AIR TEMP SENSOR	1	1		
16	90677-KAN-T00	NUT, CLIP, 5MM	1	1		
17	93903-25480	SCREW, TAPPING, 5X20	9	9		
18	93911-25520	SCREW, TAPPING, 5X20	2	-		
	93913-255J0	-	2		
19	95002-02130	CLIP, TUBE(B12.5)	2	2		
20	95002-41200-08	CLAMP, TUBE(D12)	1	1		



Ref. No.	Part No.	Description	Reqd. QTY		Serial No.	Parts catalogue code
			NHX125 D	F		
21	95002-80000	CLIP, TUBE(C12)	1	1		
22	95701-06035-00	BOLT, FLANGE, 6X35	2	2		



Ref. No.	L.O.N.	(Relative ref. Number) Description	F.R.T.
1	3141A4	CANISTER	0.2
7	3141A9	VALVE, PURGE CONTROL	0.5

K128F2900

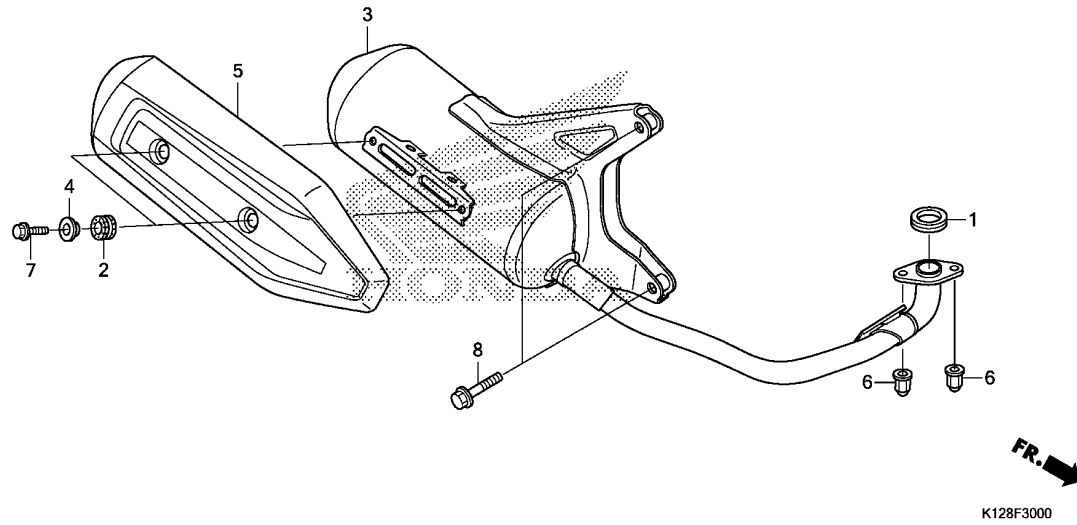


Ref. No.	Part No.	Description	Reqd. QTY		Serial No.	Parts catalogue code
			NHX125 D	F		
1	17310-GFM-K02	CANISTER COMP.	1	1		
2	17311-K12-900	RUBBER, CANISTER MOUNT	2	2		
3	17315-K12-900	STAY, P.C.V.	1	1		
4	17415-K12-900	TUBE, CANISTER PURGE	1	1		
5	17416-K12-900	TUBE, CANISTER AIR	1	1		
6	17418-K12-900	TUBE, PURGE	1	1		
7	36162-K12-901	VALVE, PURGE CONTROL SOLENOID	1	1		
8	94050-05000	NUT, FLANGE, 5MM	2	2		
9	95001-45340-40	TUBE, FUEL, 4.5X340 (95001-45001-60M)	1	-		
	95001-45330-40	TUBE, FUEL, 4.5X330 (95001-45001-60M)	-	1		
10	95002-02070	CLIP, TUBE(B7)	2	2		
11	95002-02080	CLIP, TUBE(B8)	2	2		
12	95002-02120	CLIP, TUBE(B12)	2	2		
13	95005-45240-10	TUBE, 4.5X240(95005-45001-10M)	1	1		
14	95701-06012-00	BOLT, FLANGE, 6X12	1	1		

F-30

EXHAUST MUFFLER

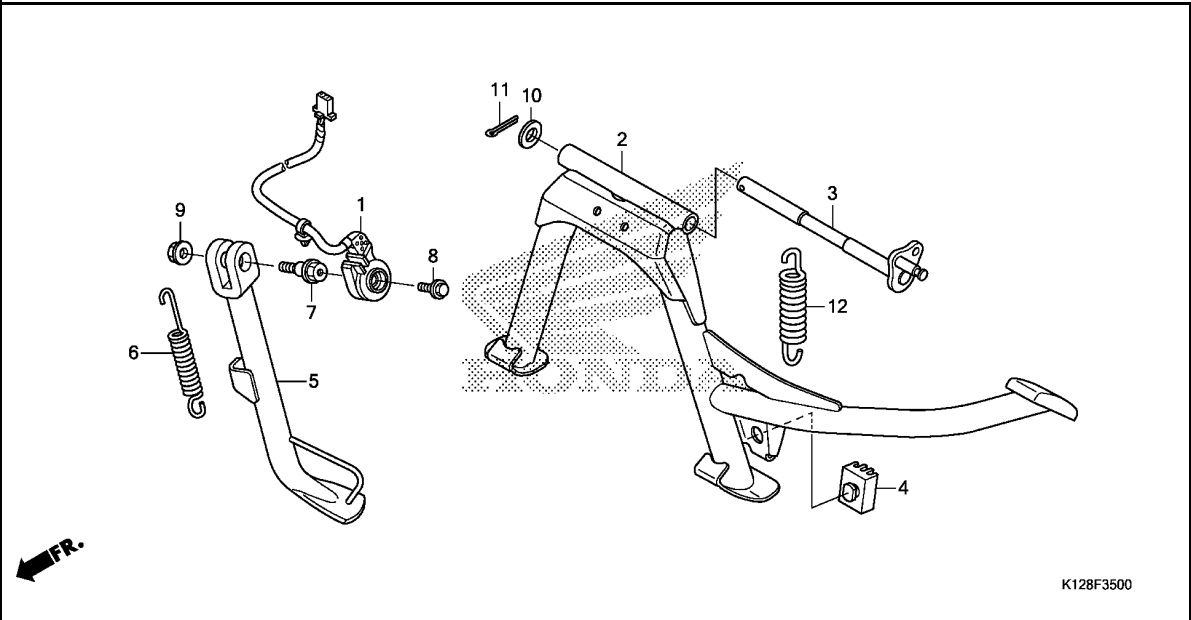
1 2



Ref. No.	L.O.N.	(Relative ref. Number) Description	F.R.T.
1	3131B4	GASKET, EXHAUST PIPE	0.2
3	313120	MUFFLER	0.2
5	313121	PROTECTOR, MUFFLER	0.1

Ref. No.	Part No.	Description	Reqd. QTY		Serial No.	Parts catalogue code
			NHX125 D	F		
1	18291-GE2-921	GASKET, EX. PIPE	1	1		
2	18293-KSB-900	RUBBER, PROTECTOR PACKING ...	2	2		
3	18300-K12-900	MUFFLER COMP., EX.	1	1		
4	18316-KVB-900	COLLAR, MUFFLER PROTECTOR ...	2	2		
5	18318-K12-900	PROTECTOR, MUFFLER	1	1		
6	90304-MJ0-920	NUT, CAP, 7MM	2	2		
7	95701-06016-02	BOLT, FLANGE, 6X16	2	2		
8	95801-10040-00	BOLT, FLANGE, 10X40	2	2		

3



Ref. No.	L.O.N.	(Relative ref. Number) Description	F.R.T.
1	615195	SWITCH, SIDE STAND	0.4
2		(3)	
	410175	STAND, MAIN	0.4
5	410180	BAR, SIDE STAND	0.2
6	410182	SPRING, SIDE STAND	0.1
12	410176	SPRING, MAIN STAND	0.2

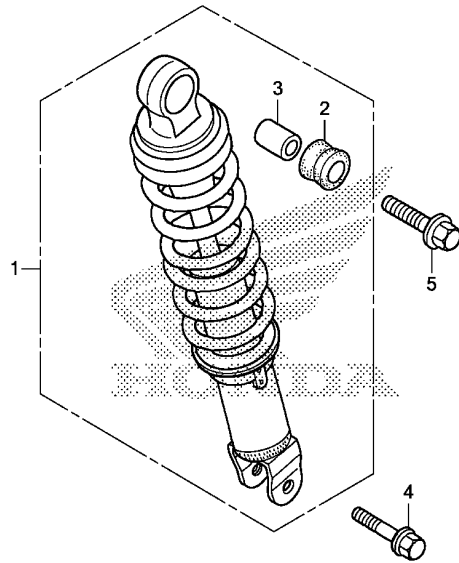
K128F3500

Ref. No.	Part No.	Description	Reqd. QTY		Serial No.	Parts catalogue code
			NHX125 D	F		
1	35700-K12-901	SWITCH ASSY., SIDE STAND	1	-		
	35700-K12-931	-	1		
2	50500-K12-900	STAND COMP., MAIN	1	1		
3	50503-KWN-900	SHAFT, MAIN STAND	1	1		
4	50505-GR1-710	RUBBER, STAND STOPPER	1	1		
5	50530-K12-900	BAR COMP., SIDE STAND	1	1		
6	50535-K12-900	SPRING, SIDE STAND	1	1		
7	90108-MK6-670	BOLT, SIDE STAND PIVOT	1	1		
8	90147-KVY-900	BOLT, SWITCH SETTING	1	1		
9	90203-KVB-900	NUT, SIDE STAND	1	1		
10	94101-10800	WASHER, PLAIN, 10MM	1	1		
11	94201-30200	PIN, SPLIT, 3.0X20	1	1		
12	95014-71802	SPRING, MAIN STAND	1	1		

F-36

REAR CUSHION

14



K128F3600

Ref. No.	L.O.N.	(Relative ref. Number) Description	F.R.T.
1	512115	CUSHION ASSY., REAR	0.2

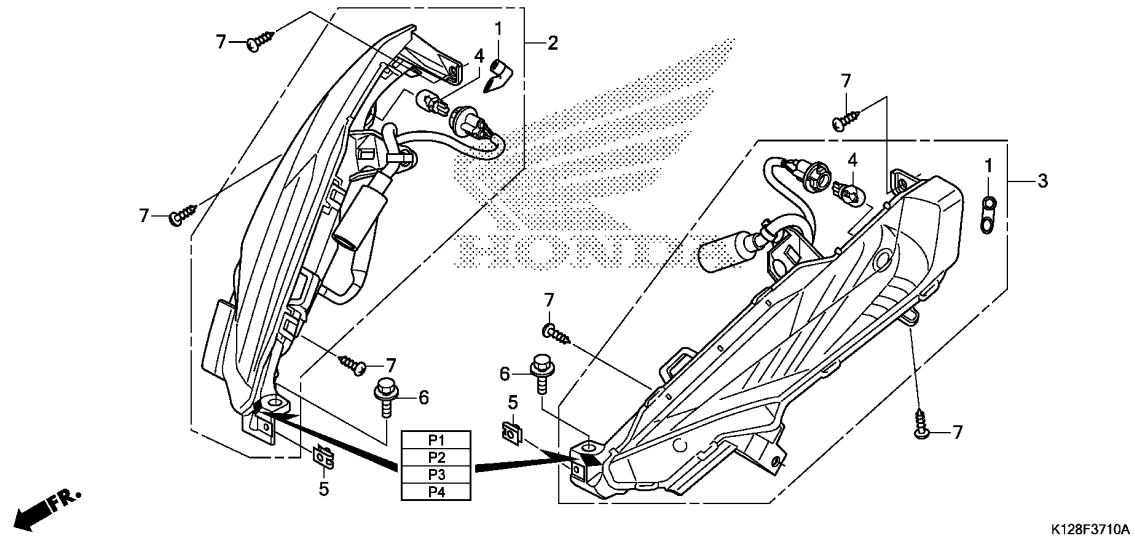
Ref. No.	Part No.	Description	Reqd. QTY		Serial No.	Parts catalogue code
			NHX125 D	F		
1	52400-K12-901	CUSHION ASSY., RR. (SHOWA) ...	1	1		
2	52485-088-901	BUSH, RR. CUSHION RUBBER (SHOWA)	1	1		
3	52486-GA7-003	COLLAR, RUBBER BUSH (SHOWA) ..	1	1		
4	95801-08032-00	BOLT, FLANGE, 8X32	1	1		
5	95801-10035-00	BOLT, FLANGE, 10X35	1	1		

3

F-37-10

FRONT WINKER

15



Ref. No.	L.O.N.	(Relative ref. Number) Description	F.R.T.
2	6161C4	WINKER :RIGHT FRONT	0.2
3	6161C3	WINKER :LEFT FRONT	0.2
	6161C5	WINKER :BOTH FRONT	0.3
4	616133	BULB, WINKER :FRONT	0.1
	6161G0	.NOTE: Same time for two units BULB, WINKER :FOR 1 VEHICLE ..	0.2

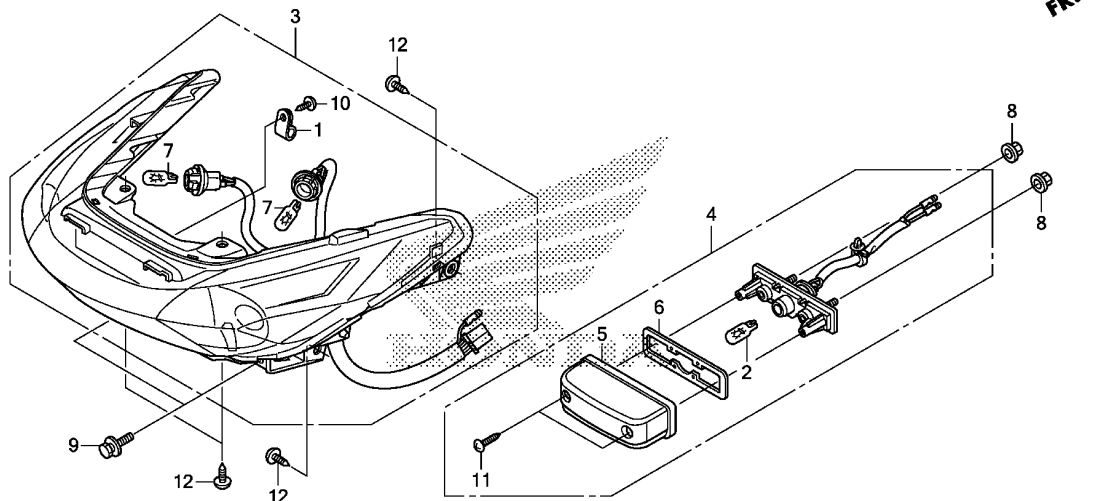
3

Ref. No.	Part No.	Description	Reqd. QTY		Serial No.	Parts catalogue code
			NHX125 D	F		
1	33113-MAT-611	PIPE, CP	2	2		
2	33400-K12-P10	WINKER & POSITION ASSY., R. FR. (12V 10W) (P1)	1	1		
	33400-K12-P20	WINKER & POSITION ASSY., R. FR. (12V 10W) (P2)	1	1		
	33400-K12-P30	WINKER & POSITION ASSY., R. FR. (12V 10W) (P3)	1	1		
	33400-K12-P40	WINKER & POSITION ASSY., R. FR. (12V 10W) (P4)	1	1		
3	33450-K12-P10	WINKER & POSITION ASSY., L. FR. (12V 10W) (P1)	1	1		
	33450-K12-P20	WINKER & POSITION ASSY., L. FR. (12V 10W) (P2)	1	1		
	33450-K12-P30	WINKER & POSITION ASSY., L. FR. (12V 10W) (P3)	1	1		
	33450-K12-P40	WINKER & POSITION ASSY., L. FR. (12V 10W) (P4)	1	1		
4	34904-K12-901	BULB, WINKER LIGHT (12V 10W) (AMBER) (STANLEY)	2	2		
5	90677-KAN-T00	NUT, CLIP, 5MM	2	2		
6	93404-06012-00	BOLT-WASHER, 6X12	2	2		
7	93903-25310	SCREW, TAPPING, 5X16	6	6		

F-38-10

REAR COMBINATION LIGHT

16

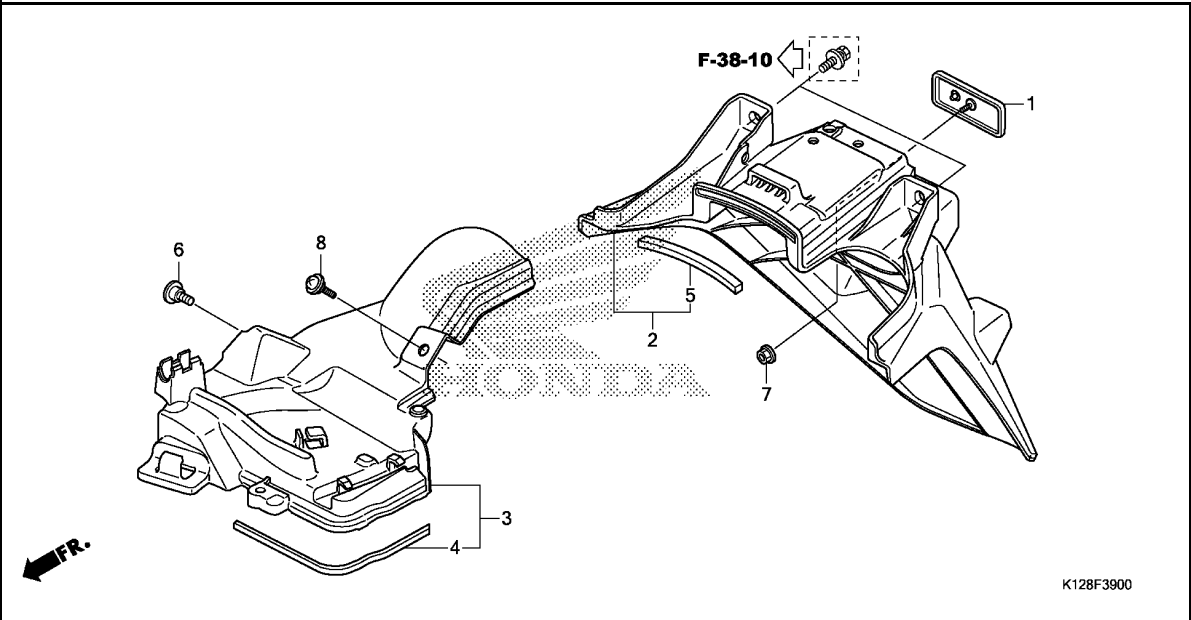


K128F3810

Ref. No.	L.O.N.	(Relative ref. Number) Description	F.R.T.
2		(5,6)	
6161F3		BULB, LICENSE LIGHT	0.1
3		6161D5 TAILLIGHT UNIT	0.5
4		6161D8 LIGHT, LICENSE	0.5
7		616139 BULB, WINKER :REAR	0.1
.NOTE: Same time for two units			
6161G0		BULB, WINKER :FOR 1 VEHICLE ..	0.2

Ref. No.	Part No.	Description	Reqd. QTY		Serial No.	Parts catalogue code
			NHX125 D	F		
1	32920-MN5-003	CLAMP, CORD	1	1		
2	33301-K07-901	BULB, POSITION(12V 5W) (STANLEY)	1	1		
3	33700-K12-901	LIGHT ASSY., RR. COMBINATION (12V 10W)	1	1		
4	33720-K12-901	LIGHT ASSY., LICENSE(12V 5W)	1	1		
5	33722-KWN-901	COVER COMP., LICENSE	1	1		
6	33729-MCZ-003	PACKING, LENS	1	1		
7	34904-K12-901	BULB, WINKER LIGHT(12V 10W) (AMBER) (STANLEY)	2	2		
8	90301-KWN-901	NUT, U, 5MM	2	2		
9	93404-06016-08	BOLT-WASHER, 6X16	2	2		
10	93901-24320	SCREW, TAPPING, 4X12	1	1		
11	93901-24480	SCREW, TAPPING, 4X16	2	2		
12	93903-25310	SCREW, TAPPING, 5X16	6	6		

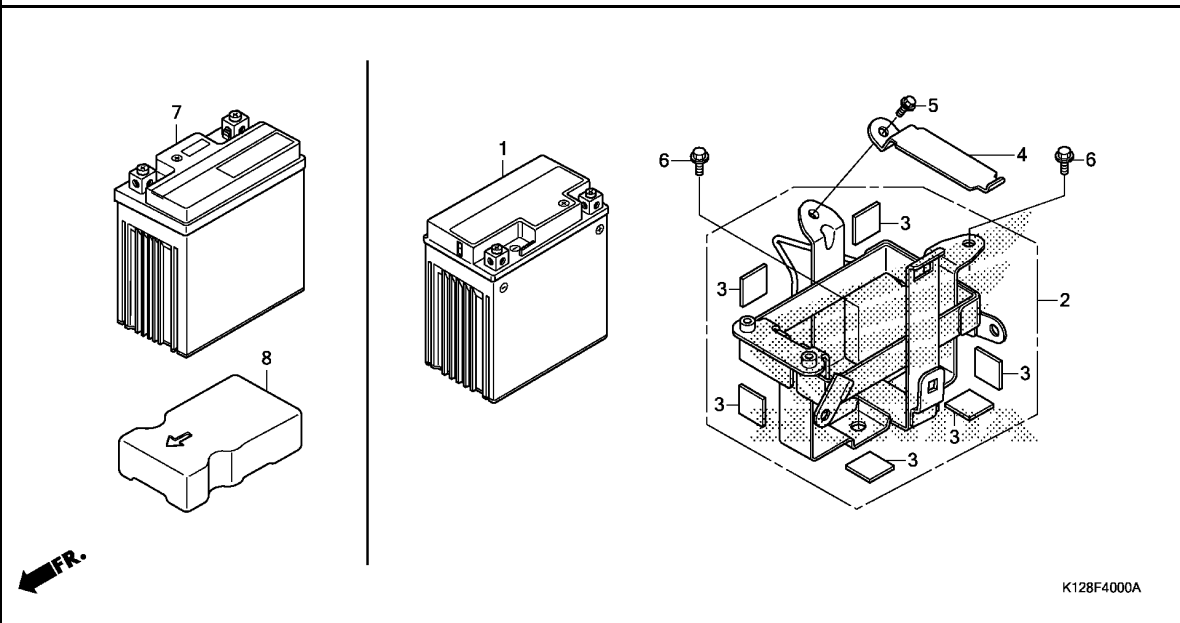
3



Ref. No.	L.O.N.	(Relative ref. Number) Description	F.R.T.
2	(5)	FENDER, REAR	0.5
3	(4)	FENDER, INNER :REAR	0.4

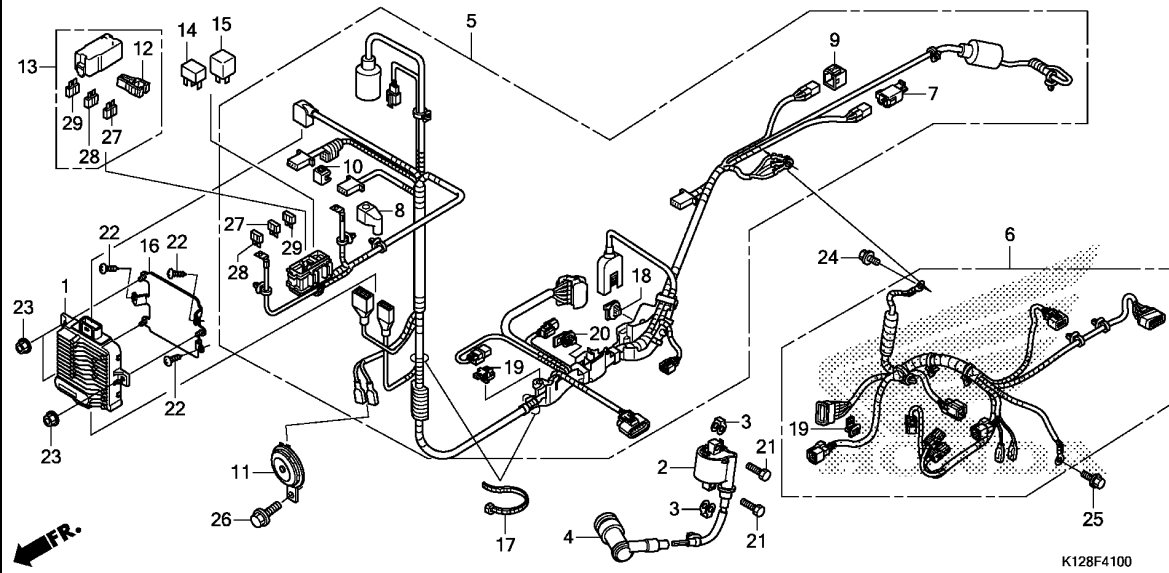
3

Ref. No.	Part No.	Description	Reqd. QTY		Serial No.	Parts catalogue code
			NHX125 D	F		
1	33741-MS6-921	REFLECTOR, REFLEX(STANLEY) ..	1	-		
	33741-K29-901	REFLECTOR, REFLEX	-	1		
2	80105-K12-900	FENDER, RR.	1	1		
3	80106-K12-900	FENDER ASSY., RR. INNER	1	1		
4	80108-KZR-600	SEAL, RR. INNER FENDER	1	1		
5	80109-K12-900	RUBBER, SEAL	1	1		
6	90001-KWR-000	BOLT, SOCKET, 6X18	1	1		
7	90301-KWN-901	NUT, U, 5MM	1	1		
8	91509-GE2-760	SCREW, PAN, 5X11.5	1	1		



Ref. No.	L.O.N.	(Relative ref. Number) Description	F.R.T.
1	610100	(7) BATTERY	0.2
2	410185	BOX, BATTERY	0.4

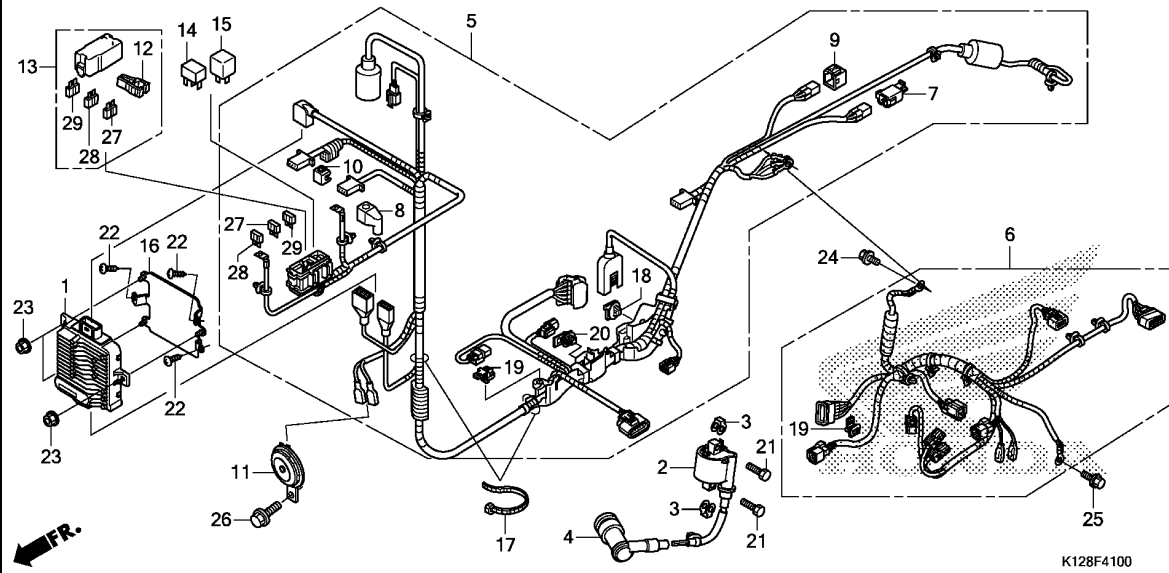
Ref. No.	Part No.	Description	Reqd. QTY		Serial No.	Parts catalogue code
			NHX125	F		
1	31500-K01-901	BATTERY(GTZ6V)(GS YUASA)	1	-		
	31500-KWN-871	BATTERY(YTZ6V)(GS YUASA)	1	-		
2	50325-K12-900	STAY COMP., BATTERY	1	-		
	50325-K12-930	-	1		
3	50345-K12-900	CUSHION, BATTERY	8	8		
4	50382-K12-900	BAND, BATTERY	1	-		
	50382-K12-930	-	1		
5	90083-KFL-850	BOLT, SPECIAL FLANGE, 5X8 ...	1	1		
6	95701-06012-00	BOLT, FLANGE, 6X12	2	2		
7	31500-K01-901	BATTERY(GTZ6V)(GS YUASA)	-	1		
8	81323-K12-930	SPACER, BATTERY	-	1		



Ref. No.	L.O.N.	(Relative ref. Number) Description	F.R.T.
1	618135	ENGINE CONTROL MODULE(ECM) ...	0.4
2	614105	COIL, IGNITION	0.4
5	611100	HARNESS, WIRE	1.0
6	611142	SUB HARNESS, ENGINE	0.6
11	616169	HORN	0.1
14	611155	RELAY, MAIN	0.2
15	6111C5	RELAY, STARTER	0.2

3

Ref. No.	Part No.	Description	Reqd. QTY		Serial No.	Parts catalogue code
			NHX125	D F		
1	30400-K12-901	CONTROL UNIT, ENGINE	1	-	----- DY117759 V	
	30400-K12-902	1	-	----- DY588953 2V	
	30400-K12-931	1	-	----- DY117760 ----- V	
	30400-K12-930	1	-	----- DY588954 ----- 2V	
2	30510-K12-901	COIL COMP., IGNITION	1	1		
3	30520-GFM-900	SPACER, IGNITION COIL	2	2		
4	30700-KZR-602	CAP ASSY., NOISE SUPPRESSOR (TOYO)	1	1		
5	32100-K12-900	HARNESS, WIRE	1	-		
	32100-K12-930	-	1		
6	32104-K12-900	SUB HARNESS, ENGINE	1	-		
	32104-K12-930	-	1		
7	32150-KCR-J11	COUPLER, JOINT(WPC 2P 090 M) (NATURAL)	1	1		
8	32412-MV4-000	COVER, BATTERY TERMINAL	1	1		
9	32605-GEV-761	CAP, DUMMY(WPC 4P 090 M) (NATURAL)	1	1		
10	32606-GEV-761	CAP, DUMMY(4P)(RED)	1	1		
11	38110-KWW-A41	HORN COMP.(HIGH)	1	-	----- DY154247 V	
	38110-K12-901	1	-	----- DY656779 2V	
			1	-	----- DY154248 ----- V	
			1	-	----- DY656780 ----- 2V	
			-	1		
12	38235-SNA-A01	PULLER, MINI FUSE	1	1		
13	38255-K12-901	COVER COMP., UPPER	1	1		

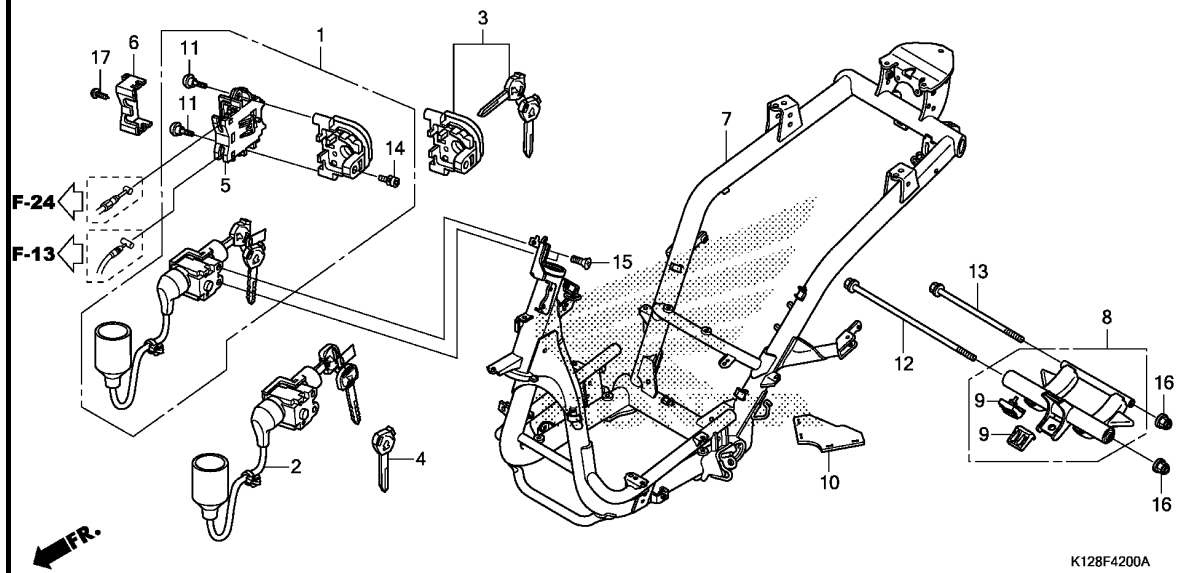


Ref. No.	Part No.	Description	Reqd. QTY		Serial No.	Parts catalogue code
			NHX125 D	F		
14	38501-KVZ-631	RELAY ASSY., POWER (MICRO ISO 4P)(MITSUBA)	1	1		
15	38502-KWN-901	RELAY COMP., POWER(PANASONIC)	1	1		
16	50301-K12-900	STAY, ECU	1	1		
17	90620-SB2-003	BAND, WIRE HARNESS	2	2		
18	91533-S5A-003	CLIP, COUPLER(NATURAL)	1	1		
19	91535-STK-003	CLIP, COUPLER(DARK BLUE)	2	2		
20	91535-TA0-003	CLIP, COUPLER(DARK BROWN)	1	1		
21	92101-06020-4J	BOLT, HEX., 6X20	2	2		
22	93903-25310	SCREW, TAPPING, 5X16	3	3		
23	94050-06000	NUT, FLANGE, 6MM	3	3		
24	95701-06012-00	BOLT, FLANGE, 6X12	1	1		
25	95701-06016-00	BOLT, FLANGE, 6X16	1	1		
26	95701-08016-00	BOLT, FLANGE, 8X16	1	1		
27	98200-40500	FUSE, MINI(5A)	3	3		
28	98200-41000	FUSE, MINI(10A)	4	4		
29	98200-42500	FUSE, MINI(25A)	2	2		

F-42

FRAME BODY(NHX125D)

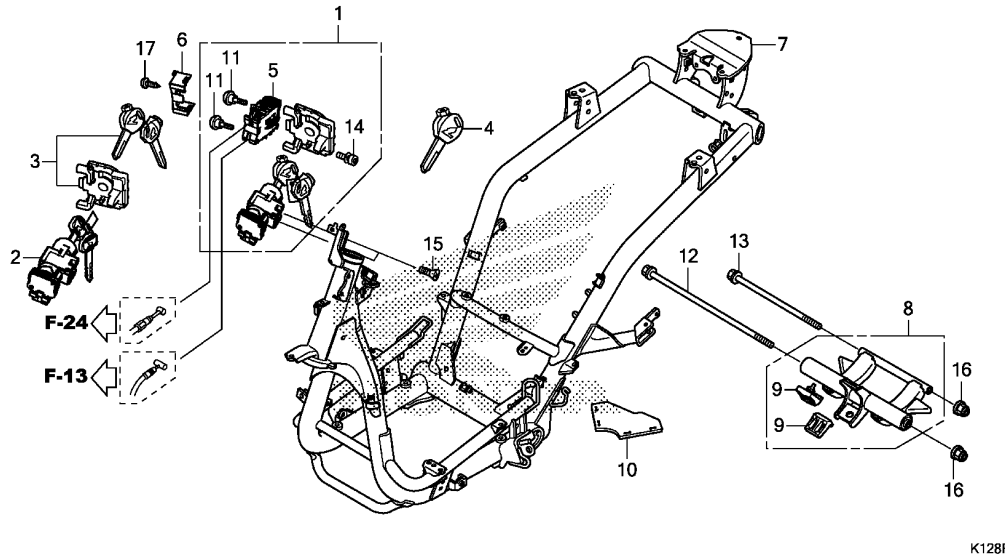
I11



Ref. No.	L.O.N.	(Relative ref. Number) Description	F.R.T.
1	6151A1	KEY SET	1.7
2	6151A5	SWITCH, COMBINATION & LOCK ...	1.7
3	6151A2	KEY, SHUTTER	1.6
		.EXCLUDES: Key cutting	
5	6151E8	SWITCH, SEAT AND BOX	0.3
7	410100	BODY, FRAME	4.2
		.INCLUDES: Engine removal and installation	
8	4101B5	LINK, ENGINE HANGER	1.3
		.INCLUDES: Engine removal and installation	

3

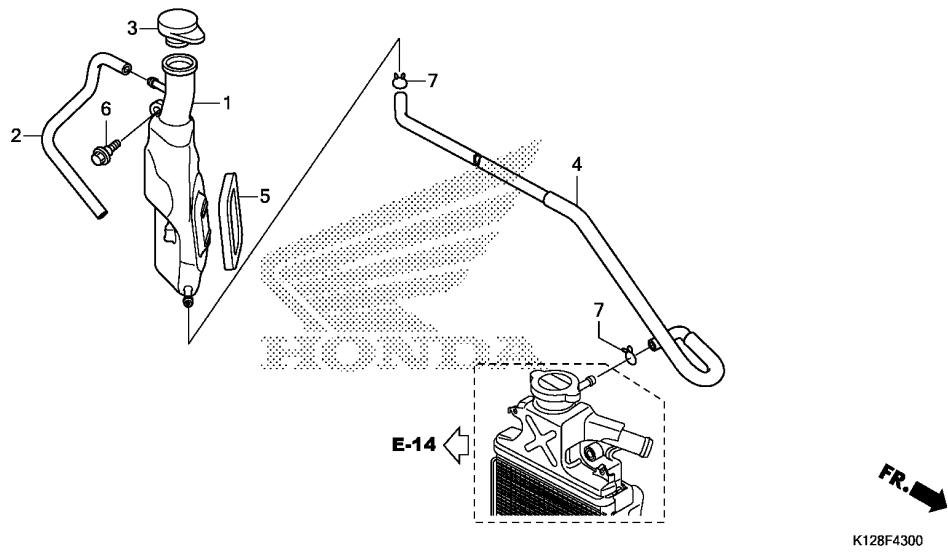
Ref. No.	Part No.	Description	Reqd. QTY		Serial No.	Parts catalogue code
			NHX125 D	F		
1	35010-K12-900	KEY SET	1	-		
2	35101-K12-901	SWITCH ASSY., COMBINATION & LOCK	1	-		
3	35110-K27-V01	SHUTTER, KEY	1	-		
4	35121-KVY-900	KEY, BLANK	1	-		
		(90KEYTOP2REPORDER)	(1)	-		
5	35190-K27-V01	SWITCH ASSY., FUEL LID & SEAT OPENER	1	-		
6	35191-K27-V01	COVER, CABLE	1	-		
7	50100-K12-900	BODY COMP., FRAME	1	-		
8	50350-K12-900	LINK ASSY., ENGINE HANGER ...	1	-		
9	50352-K12-900	RUBBER, LINK STOPPER	2	-		
10	83105-K12-900	GUARD, DUST	1	-		
11	90101-MT4-000	SCREW, SCREEN SETTING	2	-		
12	90105-K12-900	BOLT, FLANGE, 10X297	1	-		
13	90106-GCC-C50	BOLT, FLANGE, 10X238	1	-		
14	90111-MR5-000	BOLT, SOCKET, 5X9	1	-		
15	90164-KZL-A00	SCREW, U-LOCK FLAT, 6X12	2	-		
16	90304-KGH-901	NUT, U, 10MM	2	-		
17	93901-24320	SCREW, TAPPING, 4X12	1	-		



K128F4201

Ref. No.	L.O.N.	(Relative ref. Number) Description	F.R.T.
1	6151A1	KEY SET	1.7
2	6151A5	SWITCH, COMBINATION & LOCK ...	1.7
3	6151A2	KEY, SHUTTER	1.6
		.EXCLUDES: Key cutting	
5	6151E8	SWITCH, SEAT AND BOX	0.3
7	410100	BODY, FRAME	4.2
		.INCLUDES: Engine removal and installation	
8	4101B5	LINK, ENGINE HANGER	1.3
		.INCLUDES: Engine removal and installation	

Ref. No.	Part No.	Description	Reqd. QTY		Serial No.	Parts catalogue code
			NHX125 D	F		
1	35010-K12-930	KEY SET	-	1		
2	35101-K46-N01	SWITCH ASSY., COMBINATION & LOCK	-	1		
3	35110-K46-N01	SHUTTER, KEY	-	1		
4	35121-K46-N00	KEY, BLANK	-	(1)		
		(NOKEYTOP2REPORDER)				
5	35190-K35-V01	SWITCH ASSY., FUEL LID & SEAT OPENER	-	1		
6	35191-K27-V01	COVER, CABLE	-	1		
7	50100-K12-930	BODY COMP., FRAME	-	1		
8	50350-K12-900	LINK ASSY., ENGINE HANGER ...	-	1		
9	50352-K12-900	RUBBER, LINK STOPPER	-	2		
10	83105-K12-900	GUARD, DUST	-	1		
11	90101-MT4-000	SCREW, SCREEN SETTING	-	2		
12	90105-K12-900	BOLT, FLANGE, 10X297	-	1		
13	90106-GCC-C50	BOLT, FLANGE, 10X238	-	1		
14	90111-MR5-000	BOLT, SOCKET, 5X9	-	1		
15	90164-KZL-A00	SCREW, U-LOCK FLAT, 6X12	-	2		
16	90304-KGH-901	NUT, U, 10MM	-	2		
17	93901-24320	SCREW, TAPPING, 4X12	-	1		

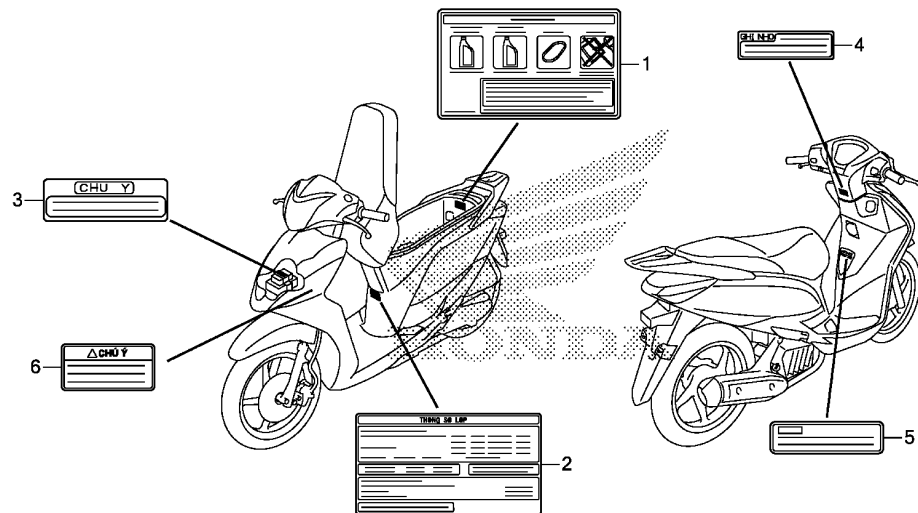


Ref. No.	L.O.N.	(Relative ref. Number) Description	F.R.T.
1	115110	TANK, RADIATOR RESERVE	0.4
4	1151E5	TUBE, RADIATOR RESERVE TANK ..	0.2

K128F4300

3

Ref. No.	Part No.	Description	Reqd. QTY		Serial No.	Parts catalogue code
			NHX125 D	F		
1	19101-K12-900	TANK, RESERVE	1	1		
2	19102-K12-900	TUBE, DRAIN	1	1		
3	19104-KVB-900	CAP, RESERVE TANK	1	1		
4	19108-K12-900	TUBE, RESERVE TANK	1	1		
5	19110-K12-900	SEAL, RESERVE TANK	1	1		
6	90116-KVB-900	BOLT, FLANGE, 6MM	1	1		
7	95002-02100	CLIP, TUBE(B10)	2	2		



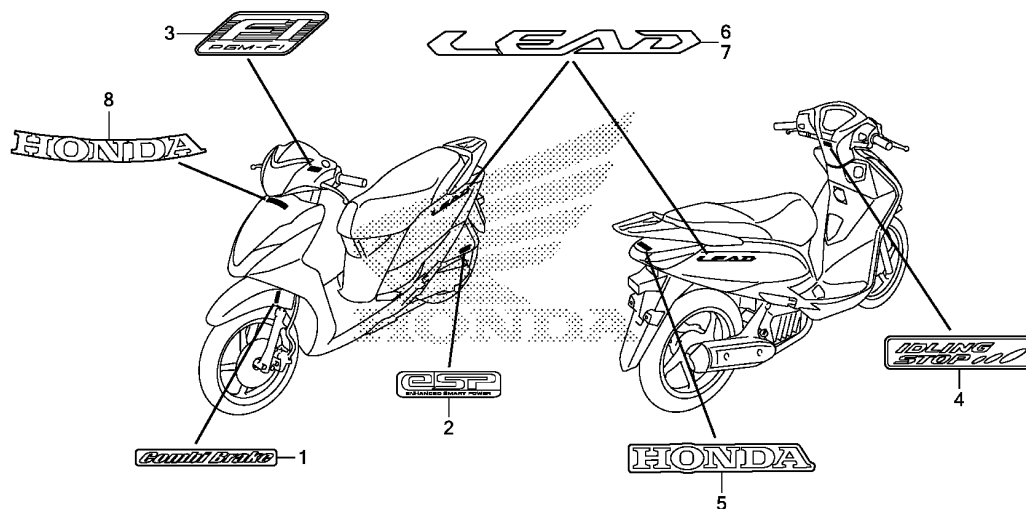
K128F4700A

Ref. No.	L.O.N.	(Relative ref. Number)	Description	F.R.T.
----------	--------	------------------------	-------------	--------

NO INFORMATION

3

Ref. No.	Part No.	Description	Reqd. QTY		Serial No.	Parts catalogue code
			NHX125 D	F		
1	87504-GGE-900	LABEL, REPLACEMENT INFORMATION	1	1		
2	87505-K12-900	LABEL, TIRE	1	-		
	87505-K12-930	-	1		
3	87506-KTM-900	MARK, BATTERY CAUTION	1	-		
4	87560-KVB-950	LABEL, DRIVE CAUTION	1	1		
5	87562-K12-900	LABEL, REFUEL CAUTION	1	1		
6	87514-K12-900	LABEL, CBS CAUTION	1	1		



K128F4800

Ref. L.O.N. (Relative ref. Number) F.R.T.
No. Description

NO INFORMATION

Ref. No.	Part No.	Description	Reqd. QTY		Serial No.	Parts catalogue code
			NHX125 D	F		
1	61105-KTG-V00	MARK (COMBI BRAKE) (60MM)	1	1		
2	86170-KZR-600	MARK, ENGINE	1	1		
3	86531-KYZ-710ZA	MARK (FI) *TYPE1*	1	1		
4	86532-K01-930ZA	MARK, IDLE STOP *TYPE1*	1	1		
5	86831-K12-900ZA	MARK, HONDA (80MM) *TYPE2*	1	1		
	86831-K12-900ZB	*TYPE1*	1	1		
6	86832-K12-900	EMBLEM, R. LEAD	1	-		
	86832-K12-950	-	1	-----	2V
	86832-K12-900	-	1	-----	V
7	86833-K12-900	EMBLEM, L. LEAD	1	-		
	86833-K12-950	-	1	-----	2V
	86833-K12-900	-	1	-----	V
8	87561-K12-900	EMBLEM, HONDA	1	-		
	87561-K12-950	-	1	-----	2V
	87561-K12-900	-	1	-----	V

