

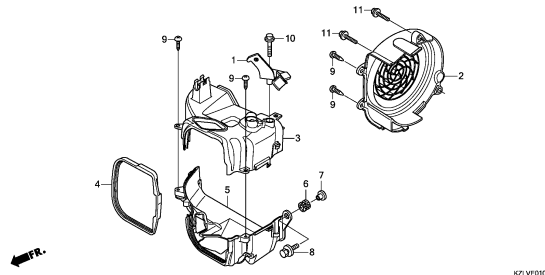
ENGINE GROUP

C10

E-1

SHROUD/FAN COVER

D 1

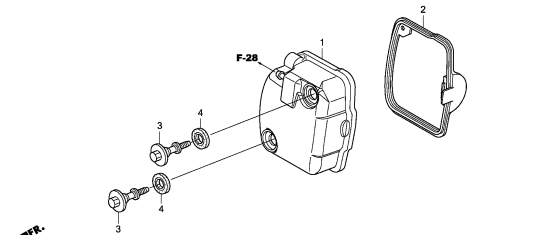


KZLVE0100

E-2

CYLINDER HEAD COVER

D 2

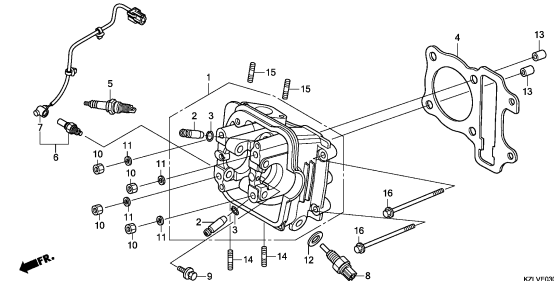


KZLVE0200

E-3

CYLINDER HEAD

D 3

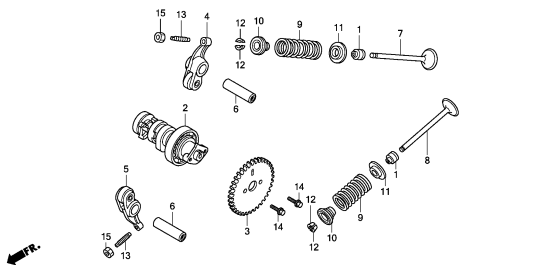


KZLVE0300

E-4

CAMSHAFT/VALVE

D 5

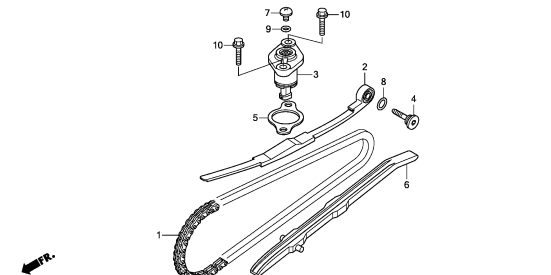


KZLVE0400

E-5

CAM CHAIN/TENSIONER

D 7

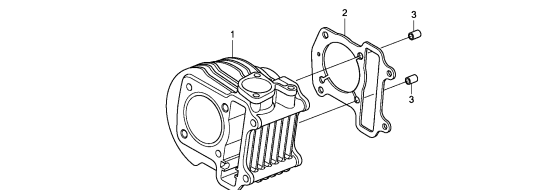


KZLVE0500

E-6

CYLINDER

D 8

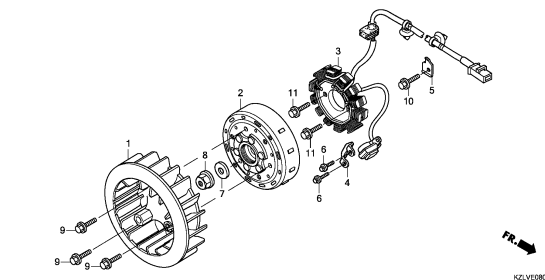


KZLVE0600

E-8

GENERATOR

D 9

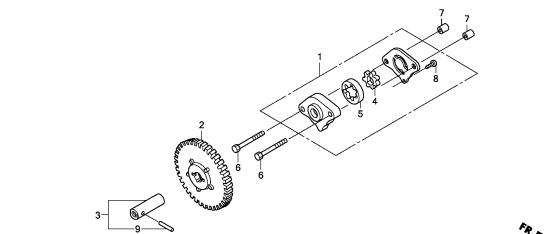


KZLVE0800

E-11

OIL PUMP

D10

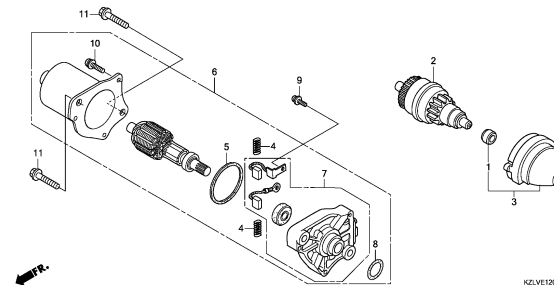


KZLVE1100

E-12

STARTING MOTOR

D11



KZLVE1200

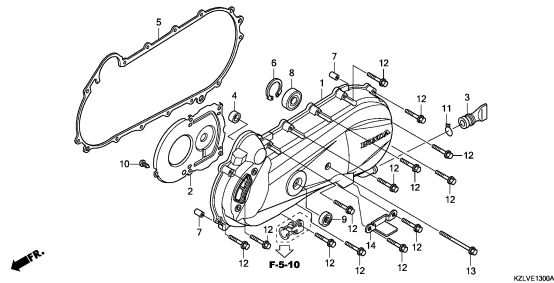
ENGINE GROUP

C11

E-13

LEFT CRANKCASE COVER

D12

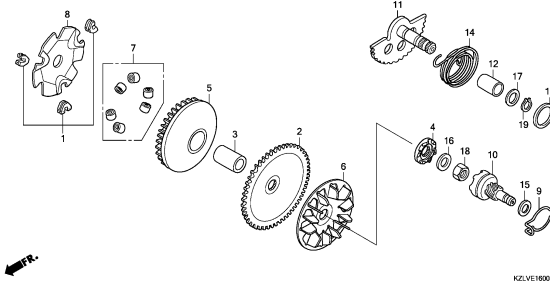


KZLVE1300A

E-16

DRIVE FACE

D13

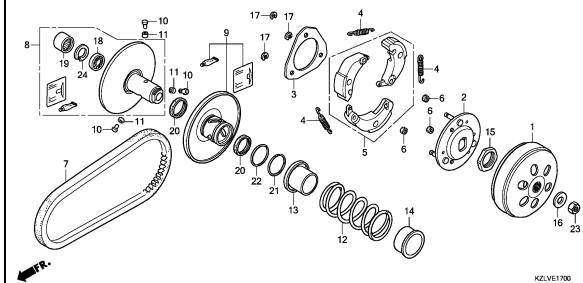


KZLVE1600

E-17

DRIVEN FACE

D14

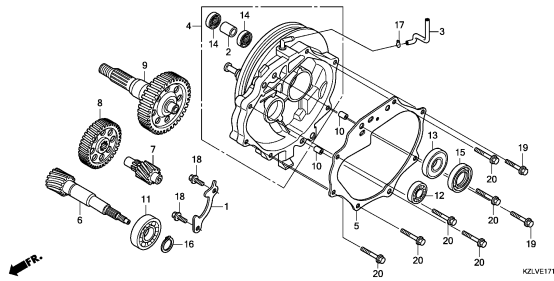


KZLVE1700

E-17-10

TRANSMISSION

D15

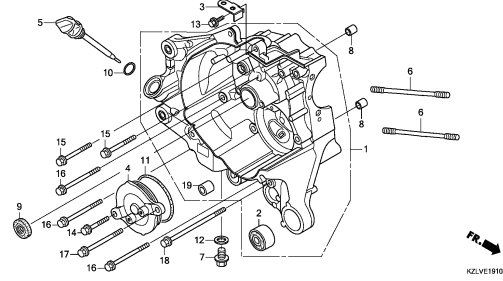


KZLVE1710

E-19-10

RIGHT CRANKCASE

E 1

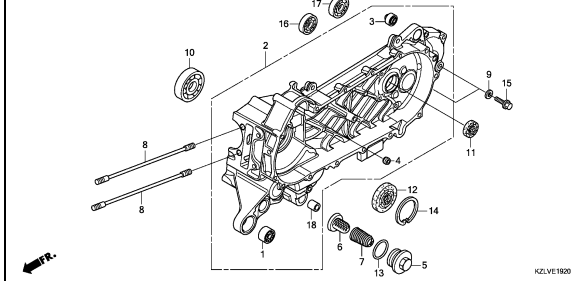


KZLVE1910A

E-19-20

LEFT CRANKCASE

E 2

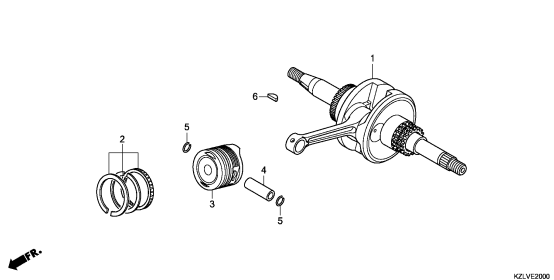


KZLVE1920

E-20

CRANKSHAFT/PISTON

E 3

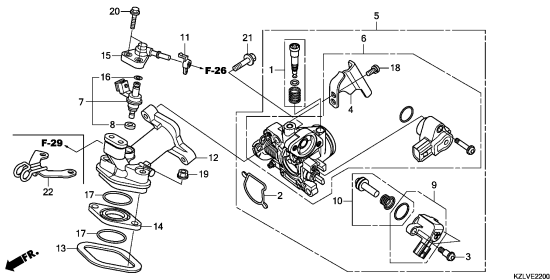


KZLVE2000

E-22

THROTTLE BODY/FUEL INJECTOR

E 4



KZLVE2200A

2

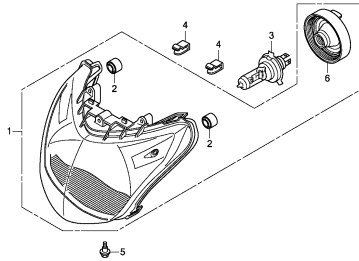
FRAME GROUP

C12

F-1

HEADLIGHT

F 1

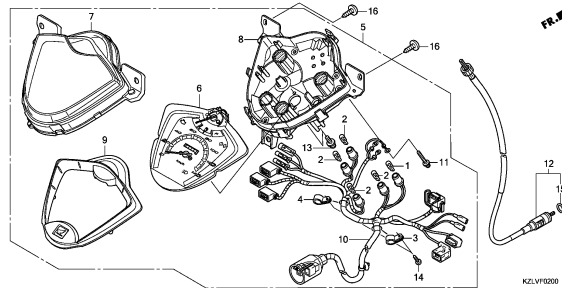


KZLVP100A

F-2

SPEEDOMETER

F 2

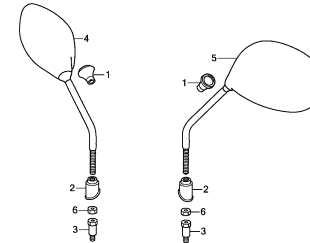


KZLVP000D

F-3

MIRROR

F 3

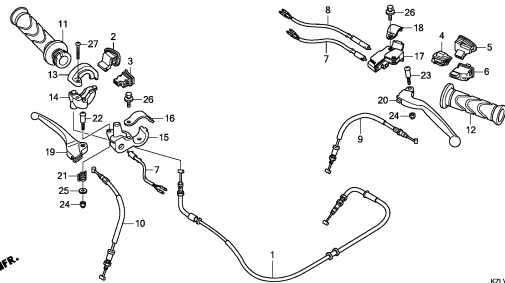


KZLVP000

F-4-10

HANDLE LEVER/SWITCH/CABLE

F 4

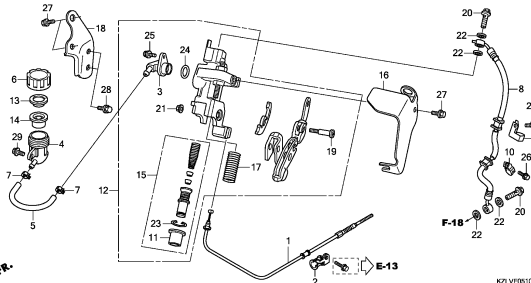


KZLVP041D

F-5-10

BRAKE MASTER CYLINDER

F 6

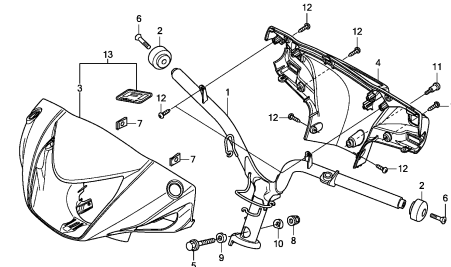


KZLVP051D

F-9

HANDLE PIPE/HANDLE COVER

F 8

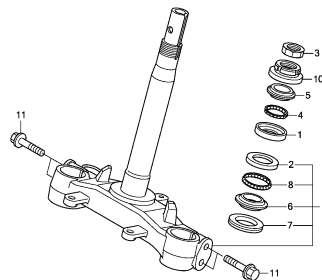


KZLVP000

F-10

STEERING STEM

F10

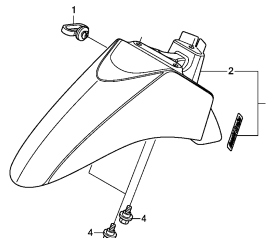


KZLVP100D

F-11

FRONT FENDER

F11

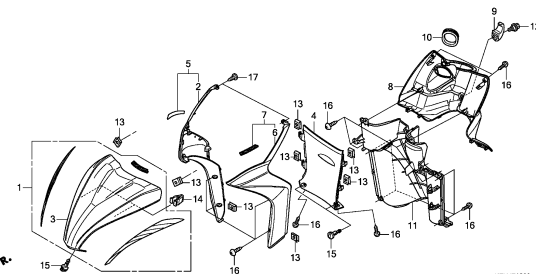


KZLVP110D

F-12

FRONT COVER/INNER COVER

F12



KZLVP120D

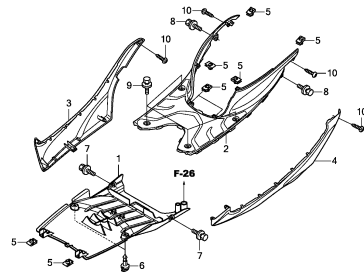
FRAME GROUP

C13

F-14

FLOOR STEP

F16

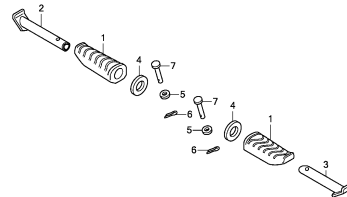


KZLVP1400

F-14-10

PILLION STEP

G 2

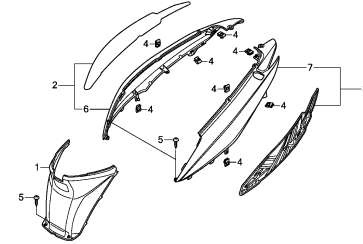


KZLVP1410

F-15

BODY COVER

G 3

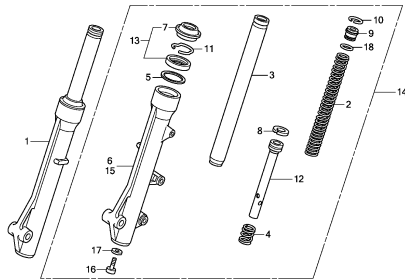


KZLVP1500

F-17

FRONT FORK

G 5

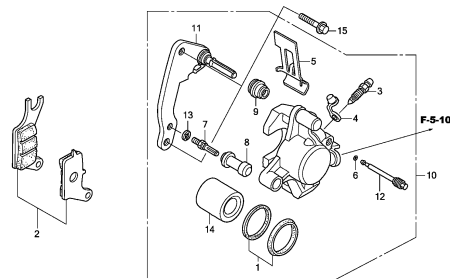


KZLVP1700

F-18

FRONT BRAKE CALIPER

G 6

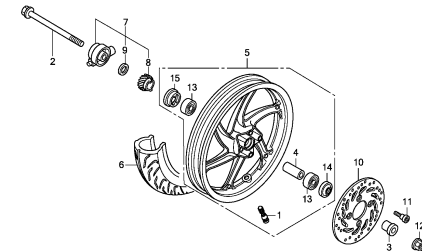


KZLVP1800

F-20-40

FRONT WHEEL

G 7

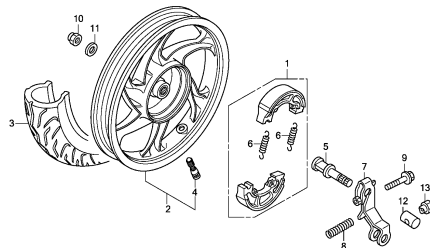


KZLVP2040

F-22-30

REAR WHEEL

G 9

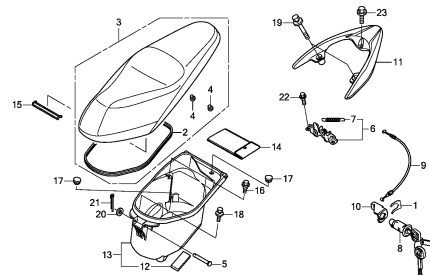


KZLVP2230

F-24

SEAT/LUGGAGE BOX

G10

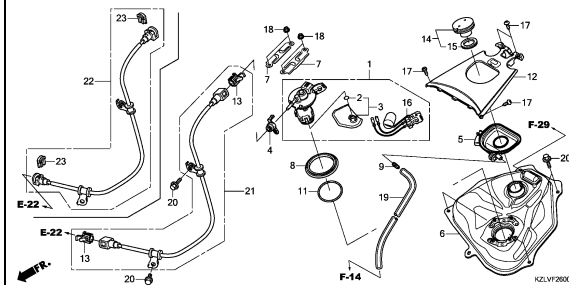


KZLVP2400A

F-26

FUEL TANK

G12



KZLVP2600A

3

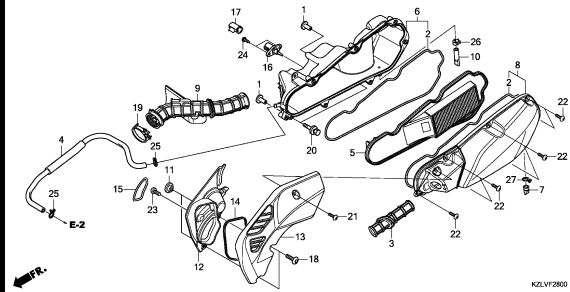
FRAME GROUP

C14

F-28

AIR CLEANER

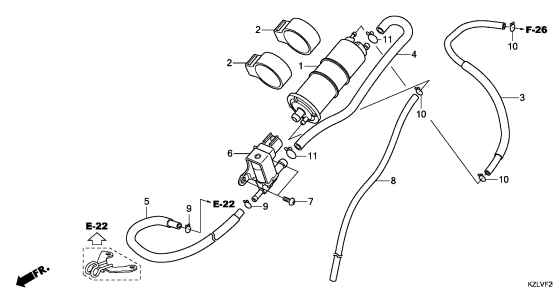
G13



F-29

CANISTER

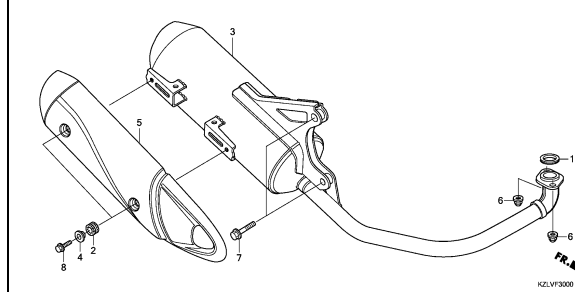
G15



F-30

EXHAUST MUFFLER

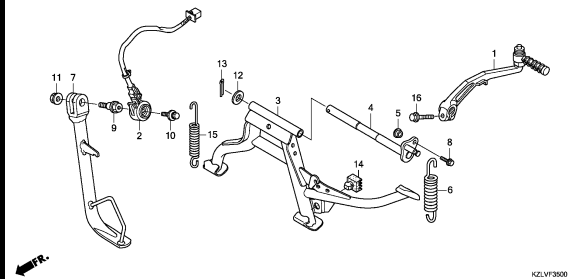
G16



F-35

STAND/KICK STARTER ARM

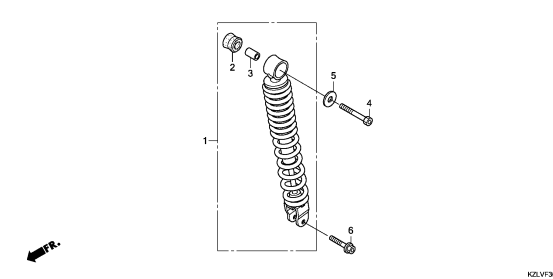
H 1



F-36

REAR CUSHION

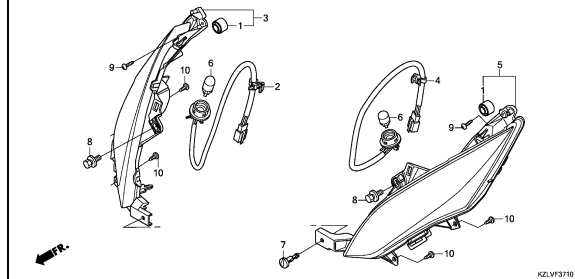
H 2



F-37-10

FRONT WINKER

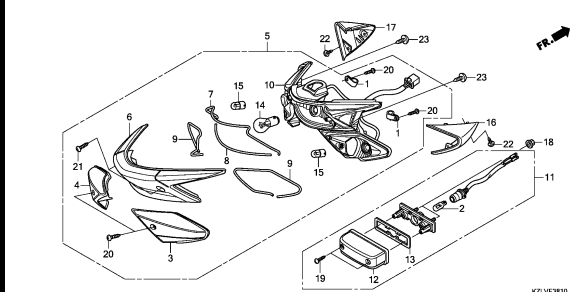
H 3



F-38-10

REAR COMBINATION LIGHT

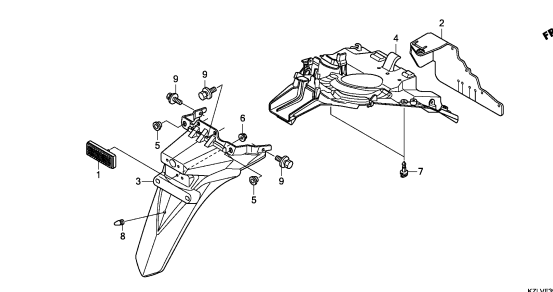
H 4



F-39

REAR FENDER

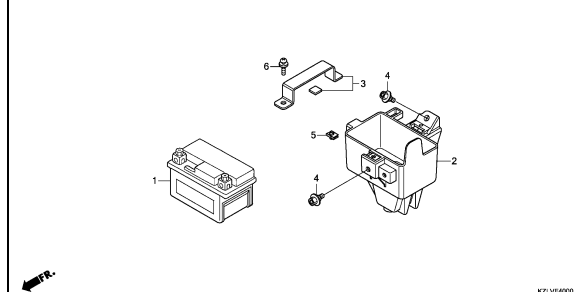
H 5



F-40

BATTERY

H 6



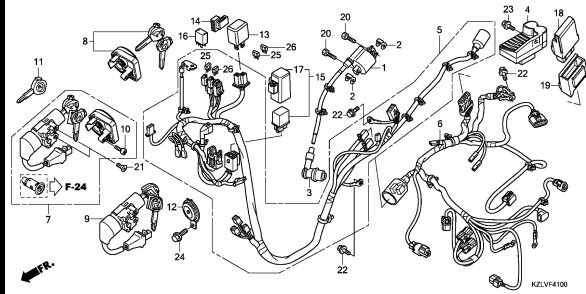
FRAME GROUP

C15

F-41

WIRE HARNESS/ECU

H 7

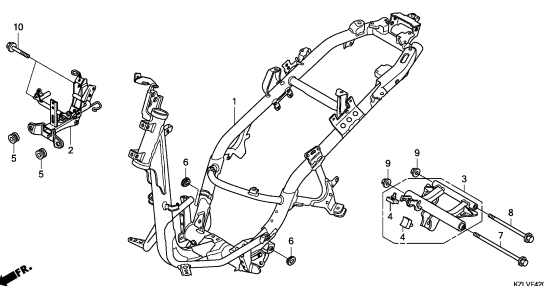


KZLVF4100

F-42

FRAME BODY

H 9

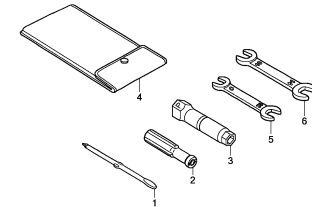


KZLVF4200

F-46

TOOLS

H10

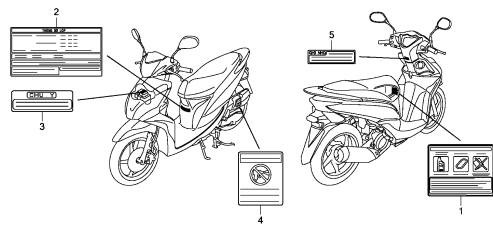


KZLVF4600

F-47

CAUTION LABEL

H11

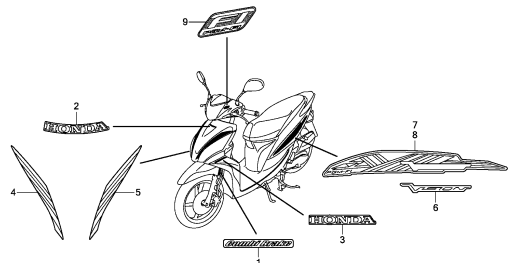


KZLVF4700A

F-48

MARK/STRIPE(NSC110CBFC/D-2V,4V)

H12

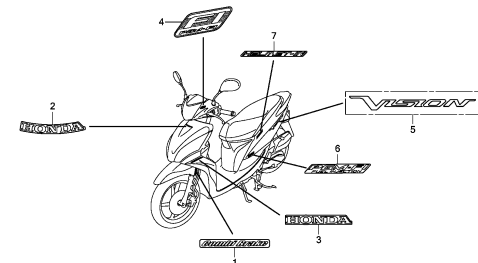


KZLVF4800

F-48-1

MARK(NSC110CBFD-5V/NSC110CSFE-2V)

H14

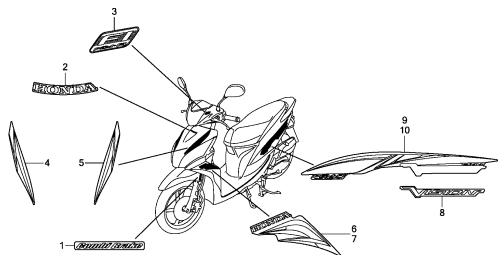


KZLVF4801

F-48-2

MARK/STRIPE(NSC110CSFE-V)

H15



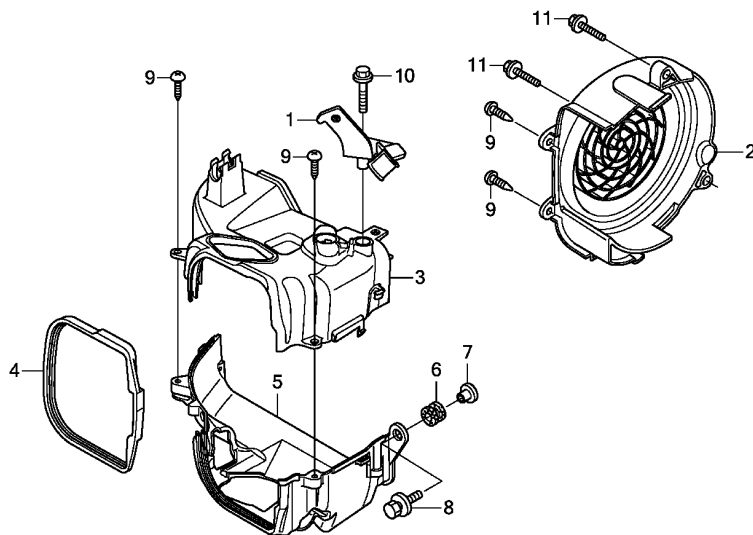
KZLVF4802

3

E-1

SHROUD/FAN COVER

D 1

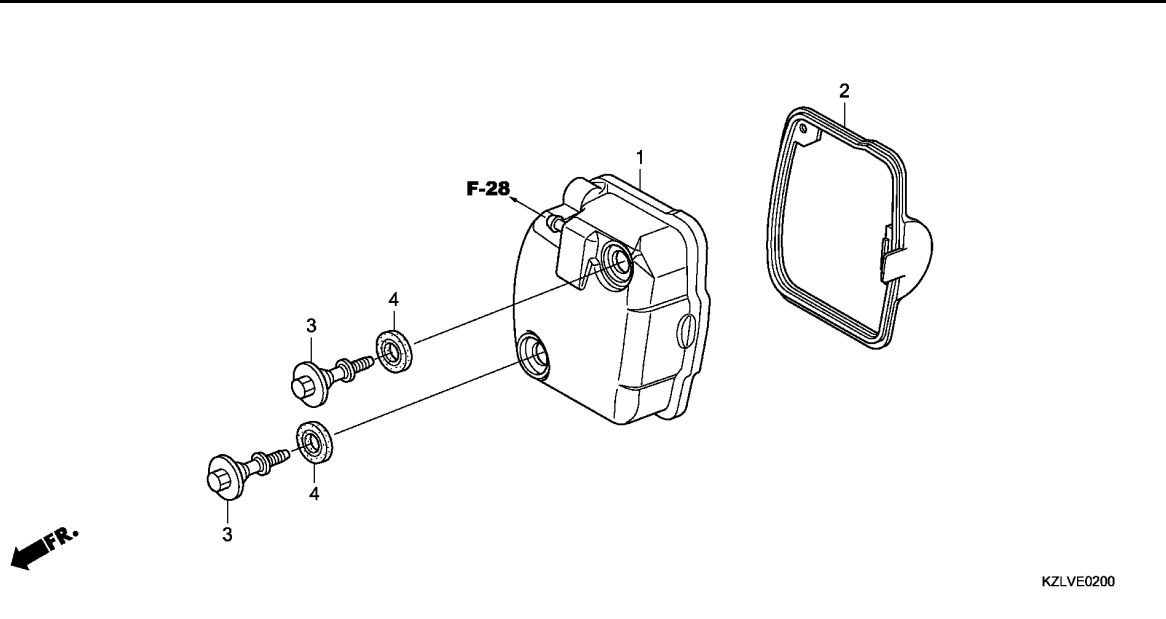


KZLVE0100

Ref. No.	L.O.N.	(Relative ref. Number) Description	F.R.T.
2	1151E0	COVER, FAN	0.1
3	1111U9	SHROUD, ENGINE :UPPER	0.8
5	1111V0	SHROUD, ENGINE :LOWER	0.7
	1111Y1	SHROUD, ENGINE :BOTH	1.1

Ref. No.	Part No.	Description	Reqd. QTY			Serial No.	Parts catalogue code
			NSC110				
			CBF	CSF			
			C	D	E		
1	17570-KZL-930	CLAMPER COMP., FUEL HOSE	1	1	1		
2	19610-KZL-930	COVER COMP., FAN	1	1	1		
3	19621-KZL-930	SHROUD, IN.	1	1	1		
4	19625-GGC-900	SEAL, SHROUD	1	1	1		
5	19631-GGC-900	SHROUD, EX.	1	1	1		
6	19639-GBC-000	RUBBER, MOUNTING	1	1	1		
7	33715-GB0-900	COLLAR, TAILLIGHT SETTING ...	1	1	1		
8	93404-06020-00	BOLT-WASHER, 6X20	1	1	1		
9	93903-25380	SCREW, TAPPING, 5X16	4	4	4		
10	95701-06030-00	BOLT, FLANGE, 6X30	1	1	1		
11	96001-06025-07	BOLT, FLANGE, 6X25	2	2	2		

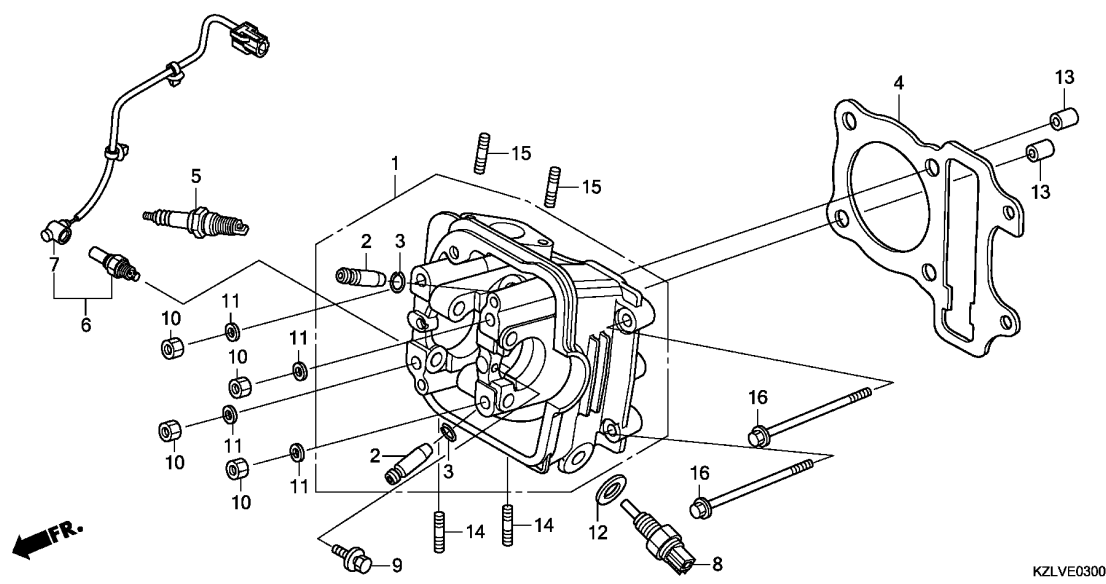
2



Ref. No.	L.O.N.	(Relative ref. Number) Description	F.R.T.
1	1111C4	COVER, CYLINDER HEAD	0.2
2	1111D2	GASKET, CYLINDER HEAD COVER ..	0.2

Ref. No.	Part No.	Description	Reqd. QTY			Serial No.	Parts catalogue code
			NSC110				
			CBF	D	CSF		
			C	D	E		
1	12310-KZL-E00	COVER COMP., HEAD	1	1	1		
2	12391-GGC-900	GASKET, HEAD COVER	1	1	1		
3	90017-GCC-000	BOLT, HEAD COVER	2	2	2		
4	90543-MV9-670	RUBBER, MOUNTING	2	2	2		





Ref. No.	L.O.N.	(Relative ref. Number) Description	F.R.T.
1	111106	HEAD, CYLINDERINCLUDES: Engine removal and installation .INCLUDES: Valve adjust and reface	3.5
2	1111L9	GUIDE, INTAKE VALVE(ONE)INCLUDES: Engine removal and installation .INCLUDES: Reaming .INCLUDES: Valve adjust and reface	3.2
	1111M0	GUIDE, EXHAUST VALVE(ONE)INCLUDES: Engine removal and installation .INCLUDES: Reaming .INCLUDES: Valve adjust and reface	3.2
	1111M9	GUIDE, VALVE :FOR 1 VEHICLE .. .INCLUDES: Engine removal and installation .INCLUDES: Reaming .INCLUDES: Valve adjust and reface	3.5
+ 4	111115	GASKET, CYLINDER HEAD	2.3

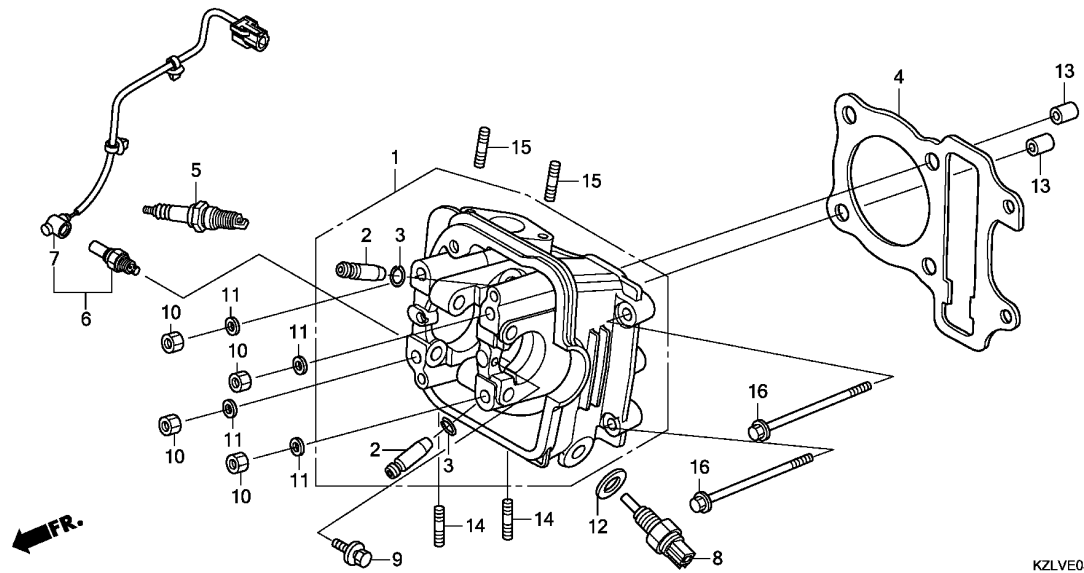
KZLVE0300

Ref. No.	Part No.	Description	Reqd. QTY			Serial No.	Parts catalogue code
			NSC110				
			CBF	CSF	E		
			C	D	E		
1	12200-KZL-E00	HEAD COMP., CYLINDER	1	1	1		
2	12204-KVY-305	GUIDE, VALVE(O.S.)	2	2	2		
3	12206-KPL-900	CLIP, VALVE GUIDE	2	2	2		
4	12251-GGC-901	GASKET, CYLINDER HEAD	1	1	1		
	12252-KZL-930	GASKET, CYLINDER HEAD (OS 0.75/1.00)	(1)	(1)	(1)		
5	31916-KRM-841	PLUG, SPARK(CPR8EA-9)(NGK) ..	1	1	1		
	31916-KYT-901	PLUG, SPARK(U24EPR9)(DENSO) -	1	1	1		
	31926-KRM-841	PLUG, SPARK(CPR9EA-9)(NGK) ..	(1)	(1)	(1)		
	31926-KYT-901	PLUG, SPARK(U27EPR9)(DENSO) -	(1)	(1)	(1)		
6	36532-KZL-931	SENSOR, OXYGEN	1	1	1		
7	36533-KZL-931	CORD COMP., OXYGEN SENSOR ...	1	1	1		
8	37750-KPH-701	SENSOR ASSY., THERMOSTAT OIL	1	1	1		
9	90014-GGC-900	BOLT-WASHER, 6X13	1	1	1		
10	90201-GCC-000	NUT, HEX., 7MM	4	4	4		
11	90401-GFM-900	WASHER, 7.2X16X2.5	4	4	4		
12	90443-MB0-000	WASHER, SEALING, 10MM	1	1	1		
13	90701-KFM-900	DOWEL PIN, SPECIAL, 8X14	2	2	2		
14	92900-06012-0B	BOLT, STUD, 6X12	2	2	2		
15	92900-06040-0B	BOLT, STUD, 6X40	2	2	2		
16	95701-06100-00	BOLT, FLANGE, 6X100	2	2	2		

E-3

CYLINDER HEAD

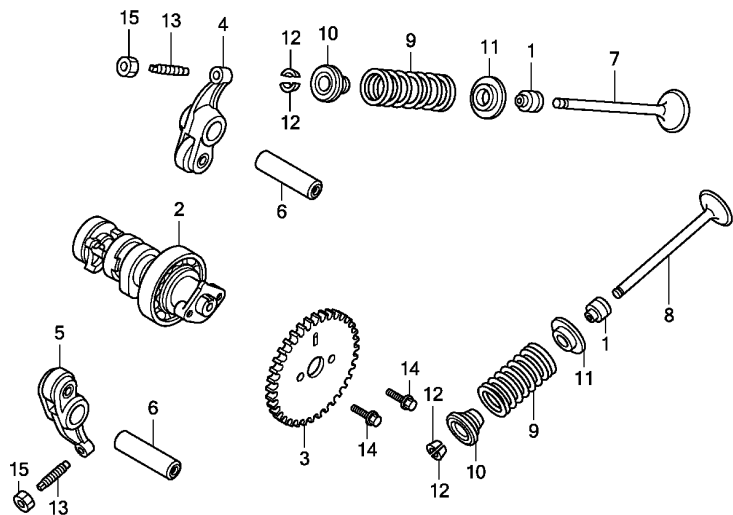
D 4



KZLVE0300

Ref. No.	L.O.N.	(Relative ref. Number) Description	F.R.T.
+ 4		.INCLUDES: Engine removal and installation	
5	614130	PLUG, SPARK	0.2
6	617121	SENSOR, OXYGEN	0.4
7	6111P8	SUB CORD, OXYGEN SENSOR	0.3
8	617151	SENSOR, OIL TEMPERATURE	0.2

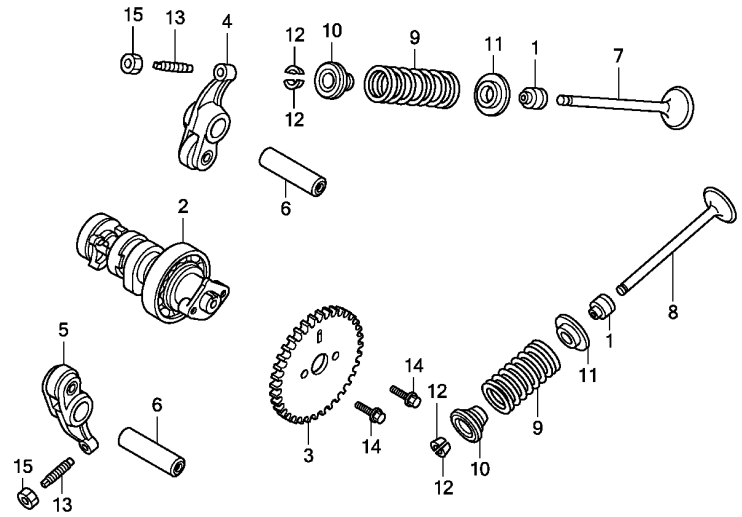
2



KZLVE0400

Ref. No.	L.O.N.	(Relative ref. Number) Description	F.R.T.
2	111118	CAMSHAFTINCLUDES: Valve adjustment	1.5
3	1111Q4	SPROCKET, CAM	0.5
4	1111K8	ARM, INTAKE VALVE ROCKER(ONE) .INCLUDES: Engine removal and installation .INCLUDES: Valve adjustment (6)	2.5
5	1111K9	ARM, EXHAUST VALVE ROCKER(ONE) .INCLUDES: Engine removal and installation .INCLUDES: Valve adjustment (6)	2.5
	1111L8	ARM, VALVE ROCKER :FOR 1 VEHICLEINCLUDES: Engine removal and installation .INCLUDES: Valve adjustment	2.5
7	1111N0	VALVE, INTAKE(ONE)INCLUDES: Engine removal and installation .INCLUDES: Refacing	2.8
8	1111N1	VALVE, EXHAUST(ONE)INCLUDES: Engine removal and installation	2.8
+			

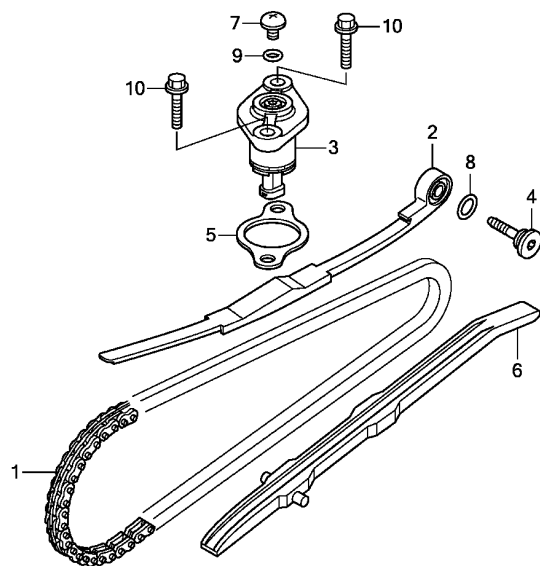
Ref. No.	Part No.	Description	Reqd. QTY			Serial No.	Parts catalogue code
			NSC110				
			CBF	CSF	E		
			C	D	E		
1	12209-GB4-681	SEAL, VALVE STEM(NOK)	2	2	2		
2	14100-KZL-930	CAMSHAFT COMP.	1	1	1		
3	14321-KZL-E00	SPROCKET, CAM(34T)	1	1	1		
4	14430-KVB-S50	ARM COMP., IN. VALVE ROCKER ..	1	1	1		
5	14440-KVB-S50	ARM COMP., EX. VALVE ROCKER ..	1	1	1		
6	14461-KVB-900	SHAFT, EX. ROCKER ARM (IN./EX.)	2	2	2		
7	14711-KVY-900	VALVE, IN.	1	1	1		
8	14721-KVY-900	VALVE, EX.	1	1	1		
9	14751-KWP-900	SPRING, VALVE	2	2	2		
10	14771-GB4-680	RETAINER, VALVE SPRING	2	2	2		
11	14775-KVY-900	SEAT, VALVE SPRING	2	2	2		
12	14781-MA6-000	COTTER, VALVE	4	4	4		
13	90012-333-000	SCREW, TAPPET ADJUSTING	2	2	2		
14	90083-GB6-911	BOLT, KNOCK, 5MM	2	2	2		
15	90206-001-000	NUT, TAPPET ADJUSTING	2	2	2		



KZLVE0400

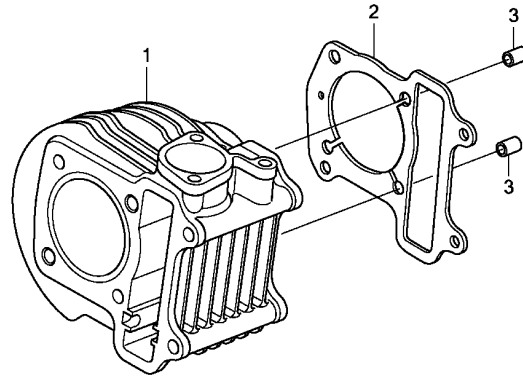
Ref. No.	L.O.N.	(Relative ref. Number) Description	F.R.T.
+ 8		.INCLUDES: Refacing VALVE :FOR 1 VEHICLE	3.0
1111P0		.INCLUDES: Engine removal and installation	
9		.INCLUDES: Refacing (1,10,11,12)	
1111P2		INTAKE VALVE SPRING AND/OR STEM SEAL(ONE)	2.6
		.INCLUDES: Engine removal and installation	
1111P3		EXHAUST VALVE SPRING AND/OR STEM SEAL(ONE)	2.6
		.INCLUDES: Engine removal and installation	
1111Q2		VALVE SPRING AND/OR STEM SEAL :FOR 1 VEHICLE	2.7
		.INCLUDES: Engine removal and installation	





Ref. No.	L.O.N.	(Relative ref. Number) Description	F.R.T.
1	110140	CHAIN, CAMINCLUDES: Engine removal and installation	4.1
2	111130	TENSIONER, CAM CHAIN	1.0
3	111133	LIFTER, TENSIONER	0.9
6	111139	GUIDE, CAM CHAIN	2.3
		.INCLUDES: Engine removal and installation	

Ref. No.	Part No.	Description	Reqd. QTY			Serial No.	Parts catalogue code
			NSC110				
			CBF	CSF			
			C	D	E		
1	14401-KVB-901	CHAIN, CAM(90L)(DAIDO)	1	1	1		
2	14510-KVB-900	TENSIONER, CAM CHAIN	1	1	1		
3	14520-GFC-771	LIFTER ASSY., TENSIONER	1	1	1		
	14520-K25-901	LIFTER ASSY., TENSIONER (NIPPON HATSUJO)	-	-	1		
	14520-KVY-901	-	-	1		
4	14531-KVY-900	PIVOT, CAM CHAIN TENSIONER ..	1	1	1		
5	14560-KCW-851	GASKET, TENSIONER LIFTER	1	1	1		
6	14611-KVB-900	GUIDE, CAM CHAIN	1	1	1		
7	90005-KY7-000	SCREW, PAN, 6X6	1	1	1		
8	91301-GRO-004	O-RING, 15.2X1.5	1	1	1		
9	91306-MG3-000	O-RING, 1.5X9.5	1	1	1		
10	95701-06022-00	BOLT, FLANGE, 6X22	2	2	2		

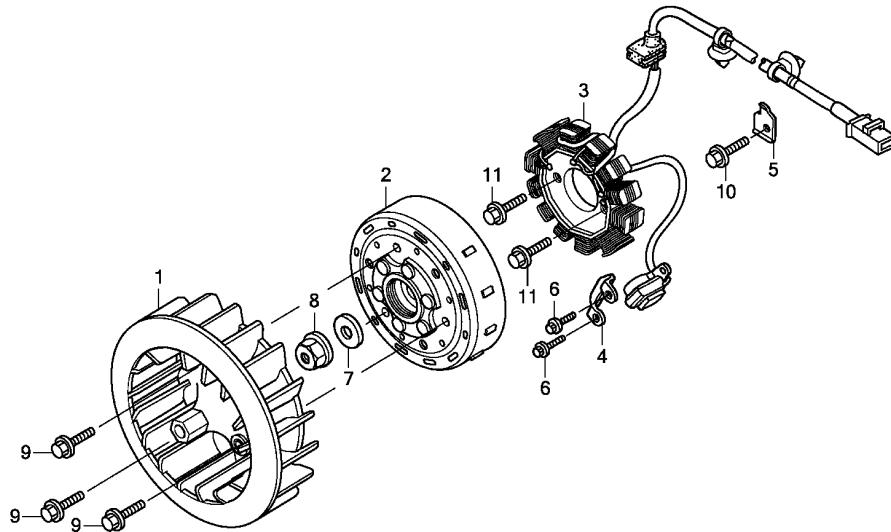


KZLVE0600

Ref. No.	L.O.N.	(Relative ref. Number) Description	F.R.T.
1	1111A5	CYLINDERINCLUDES: Engine removal and installation	2.7
2	111102	GASKET, CYLINDERINCLUDES: Engine removal and installation	2.6

Ref. No.	Part No.	Description	Reqd. QTY			Serial No.	Parts catalogue code
			NSC110				
			CBF	CSF			
			C	D	E		
1	12100-KZL-930	CYLINDER COMP.	1	1	1		
2	12191-GGC-900	GASKET, CYLINDER	1	1	1		
3	90701-KFM-900	DOWEL PIN, SPECIAL, 8X14	2	2	2		

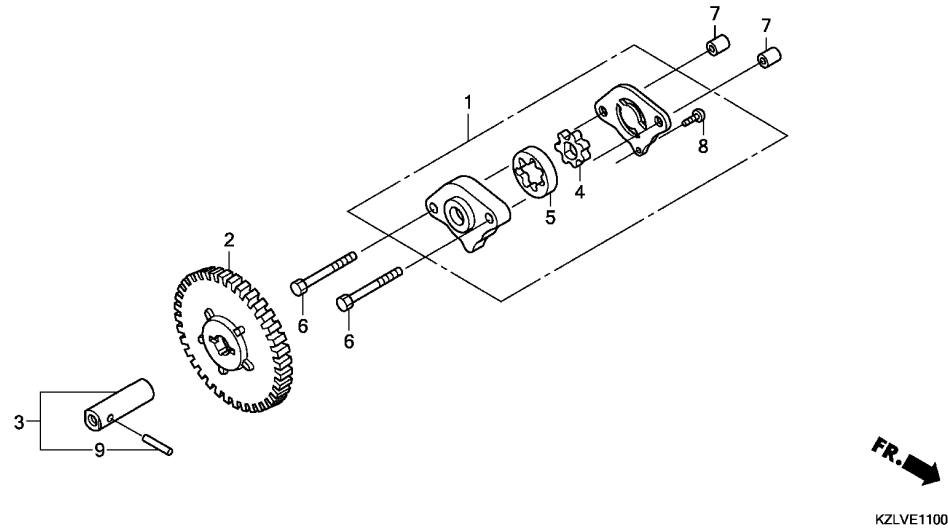




KZLVE0800

Ref. No.	L.O.N.	(Relative ref. Number) Description	F.R.T.
1	1151A6	FAN, COOLING	0.2
2	613105	ROTOR OR FLYWHEEL	0.4
3	6131A3	STATOR	1.4

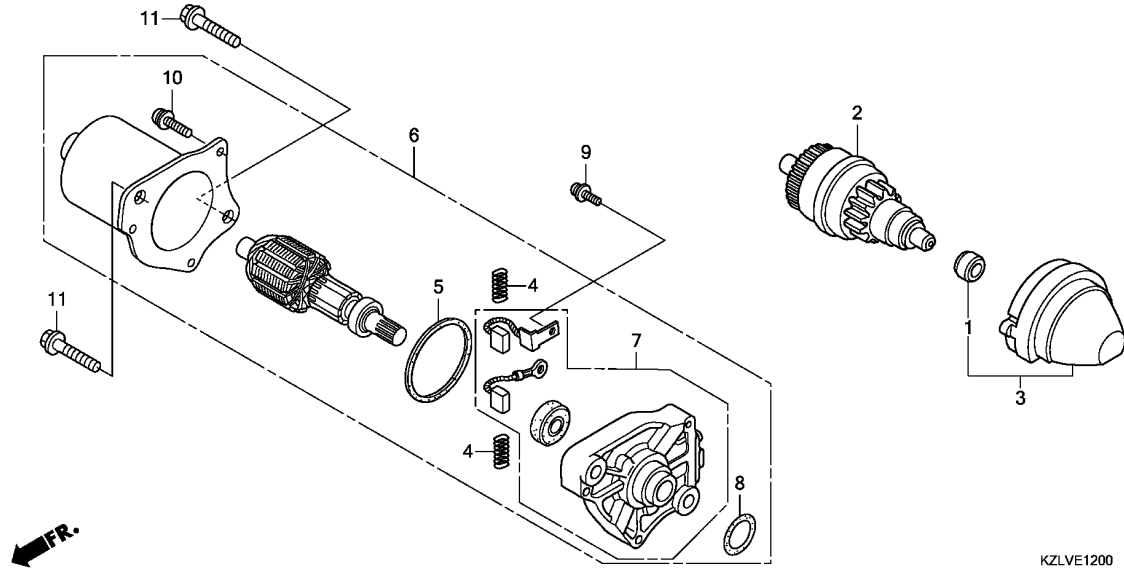
Ref. No.	Part No.	Description	Reqd. QTY			Serial No.	Parts catalogue code
			NSC110				
			CBF	CSF	E		
			C	D	E		
1	19510-KYT-900	FAN COMP., COOLING	1	1	1		
2	31110-KZL-E01	FLYWHEEL COMP.	1	1	1		
3	31120-KZL-E01	STATOR COMP.	1	1	1		
4	32907-KVY-900	CLIP, A.C. GENERATOR CORD ..	1	1	1		
5	32976-KZL-A00	PLATE, A.C. GENERATOR CORD ..	1	1	1		
6	90002-KGH-900	BOLT, FLANGE, 5X14	2	2	2		
7	90410-HC4-000	WASHER, 10MM	1	1	1		
8	94050-10000	NUT, FLANGE, 10MM	1	1	1		
9	95701-06016-00	BOLT, FLANGE, 6X16	3	3	3		
10	96001-06016-00	BOLT, FLANGE, 6X16	1	1	1		
11	96001-06022-00	BOLT, FLANGE, 6X22	2	2	2		



Ref. No.	L.O.N.	(Relative ref. Number) Description	F.R.T.
1		(4,5)	
1	113105	PUMP ASSY., OIL	1.5
2	1131C4	GEAR, OIL PUMP DRIVEN	1.3

Ref. No.	Part No.	Description	Reqd. QTY			Serial No.	Parts catalogue code
			NSC110				
			CBF	CSF			
			C	D	E		
1	15100-KVB-900	PUMP ASSY., OIL	1	1	1		
2	15133-KVY-900	GEAR, OIL PUMP DRIVEN(39T) ..	1	1	1		
3	15135-KVY-900	SHAFT COMP., OIL PUMP	1	1	1		
4	15331-KVB-900	ROTOR, OIL PUMP INNER	1	1	1		
5	15332-KVB-900	ROTOR, OIL PUMP OUTER	1	1	1		
6	90002-GFC-900	BOLT, HEX., 6X30	2	2	2		
7	90702-KFM-900	DOWEL PIN, 8X12	2	2	2		
8	93901-34120	SCREW, TAPPING, 4X8	1	1	1		
9	96220-30168	ROLLER, 3X16.8	1	1	1		





Ref. No.	L.O.N.	(Relative ref. Number) Description	F.R.T.
2	6121A6	PINION, STARTER	0.3
3	612145	HOLDER, STARTER DRIVE GEAR ... (8)	0.2
6	612105	MOTOR, STARTING	0.6
7	6121B6	BRACKET, STARTING MOTOR FRONT	0.8

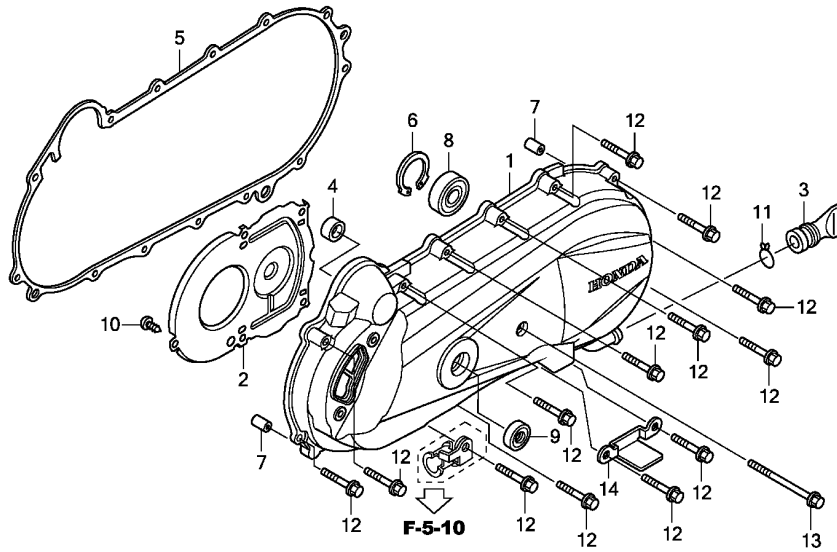
Ref. No.	Part No.	Description	Reqd. QTY			Serial No.	Parts catalogue code
			NSC110				
			CBF	CSF	E		
			C	D	E		
1	11205-GW3-931	BUSH, 8X12X6	1	1	1		
2	28120-KVB-901	PINION ASSY., STARTER(14/40T)	1	1	1		
3	28150-KVB-900	HOLDER COMP., STARTER PINION	1	1	1		
4	31204-KG8-004	SPRING, CARBON BRUSH	2	2	2		
5	31206-GW3-004	PACKING	1	1	1		
6	31210-KVB-951	MOTOR UNIT, STARTER	1	1	1		
7	31213-KEE-630	BRACKET COMP., FR.	1	1	1		
8	91309-KEE-630	O-RING	1	1	1		
9	93892-04006-08	SCREW-WASHER, 4X6	1	1	1		
10	93892-05016-08	SCREW-WASHER, 5X16	3	3	3		
11	96001-06035-00	BOLT, FLANGE, 6X35	2	2	2		

2

E-13

LEFT CRANKCASE COVER

D12



Ref. No.	L.O.N.	(Relative ref. Number) Description	F.R.T.
1	1101A6	COVER, CRANKCASE :LEFT	0.5
5	1101A3	GASKET, CRANKCASE COVER :LEFT	0.2
8	2101F0	BEARING, DRIVESHAFT :LEFT	0.4
	2101J1	BEARING, DRIVESHAFT :BOTH	1.2
9	112105	OIL SEAL, KICK STARTER SPINDLE	0.2

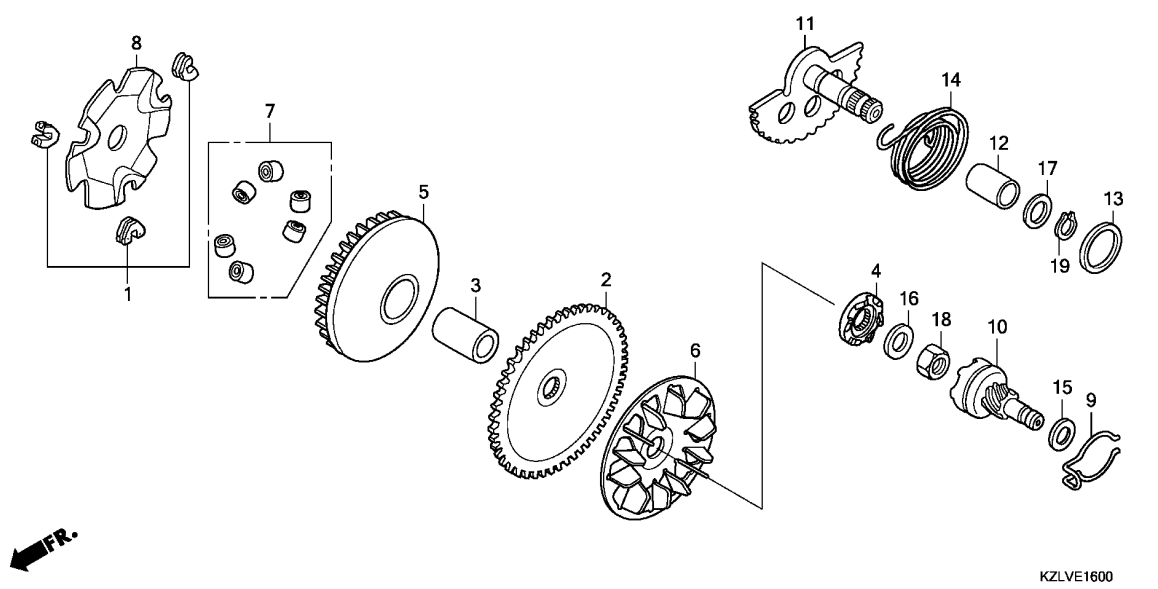
Ref. No.	Part No.	Description	Reqd. QTY			Serial No.	Parts catalogue code
			NSC110				
			CBF	CSF	E		
			C	D	E		
1	11340-KZL-E00	COVER COMP., L. SIDE	1	1	1		
2	11342-KZL-930	PLATE, L. COVER	1	1	1		
3	11343-KVG-900	TUBE, DRAIN	1	1	1		
4	11344-GW3-980	RUBBER, STARTER PINION HOLDER	1	1	1		
5	11395-KVY-901	GASKET, L. COVER	1	1	1		
6	90601-KZL-930	CIRCLIP, INTERNAL, 32MM	1	1	1		
7	90702-KFM-900	DOWEL PIN, 8X12	2	2	2		
8	91005-KVB-900	BEARING COMP.(6002UU)(NTN) ..	1	1	1		
9	91211-PE9-003	OIL SEAL, 16X26X6(ARAI)	1	1	1		
10	93903-34120	SCREW, TAPPING, 4X8	5	5	5		
11	95002-80000	CLIP, TUBE(C12)	1	1	1		
12	96001-06035-00	BOLT, FLANGE, 6X35	13	13	13		
13	96001-06085-00	BOLT, FLANGE, 6X85	1	1	1		
14	11230-KVB-900	COVER, VENT HOLE	1	1	1		



E-16

DRIVE FACE

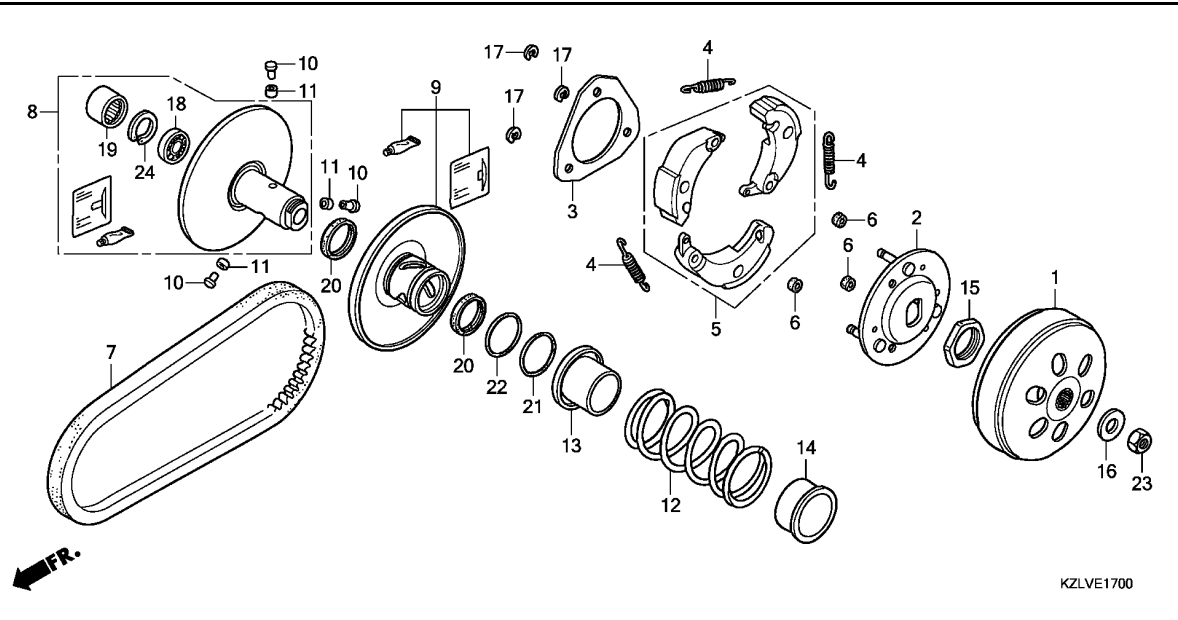
D13



Ref. No.	L.O.N.	(Relative ref. Number) Description	F.R.T.
2		(6)	
2	2111A0	FACE, DRIVE	0.4
5	2111A1	FACE, MOVABLE DRIVE	0.4
7		(1,8)	
7	2111A4	ROLLER, WEIGHT	0.4
10		(9)	
10	1121A9	GEAR, KICK STARTER DRIVEN	0.2
11	1121A2	SPINDLE, KICK STARTER	0.4
14	112103	SPRING, KICK STARTER RETURN ..	0.4

Ref. No.	Part No.	Description	Reqd. QTY			Serial No.	Parts catalogue code
			NSC110				
			CBF	D	CSF		
			C	D	E		
1	22011-KVB-T00	PIECE SET, SLIDE	1	1	1		
2	22102-KZL-930	FACE, DRIVE(66T)	1	1	1		
3	22105-GFM-900	BOSS, DRIVE FACE	1	1	1		
4	22109-KZL-840	RATCHET, STARTER	1	1	1		
5	22110-GFM-960	FACE COMP., MOVABLE DRIVE ...	1	1	1		
6	22113-GFM-970	FIN, DRIVE FACE	1	1	1		
7	22123-KVB-900	ROLLER SET, WEIGHT	1	1	1		
8	22131-KVB-900	PLATE, RAMP	1	1	1		
9	28223-KZL-840	SPRING, KICK DRIVEN GEAR	1	1	1		
10	28230-KZL-840	GEAR COMP., KICK DRIVEN(7T) -	1	1	1		
11	28250-KZL-840	SPINDLE COMP., KICK STARTER -	1	1	1		
12	28253-KVB-900	BUSH, KICK SPINDLE	1	1	1		
13	28255-GS6-000	COLLAR, KICK BOSS	1	1	1		
14	28281-KZL-840	SPRING, KICK RETURN	1	-	-	0034090	
	28281-KZL-C00	1	-	-	0034091	
15	90412-KZL-840	WASHER, THRUST, 10MM	-	1	1		
16	90426-KZL-840	WASHER, SPECIAL, 14MM	1	1	1		
17	90439-443-740	WASHER, 16X22	1	1	1		
18	94030-14200	NUT, HEX., 14MM	1	1	1		
19	94511-16000	CIRCLIP, EXTERNAL, 16MM	1	1	1		

2



Ref. No.	L.O.N.	(Relative ref. Number) Description	F.R.T.
1	2121A0	OUTER, CLUTCH	0.3
5		(2,4)	
5	2121A6	WEIGHT SET, CLUTCH	0.6
7	2111B2	BELT, DRIVE	0.4
8		(10,11,13)	
8	2111A2	FACE, DRIVEN	0.5
9		(20,21,22)	
9	2111A3	FACE, MOVABLE DRIVEN	0.5
12		(14)	
12	2111A7	SPRING, DRIVEN FACE	0.5
19		(18)	
19	2111A8	BEARING, DRIVEN FACE	0.6
	2111A8A	.Replace 1 bearing add	0.1

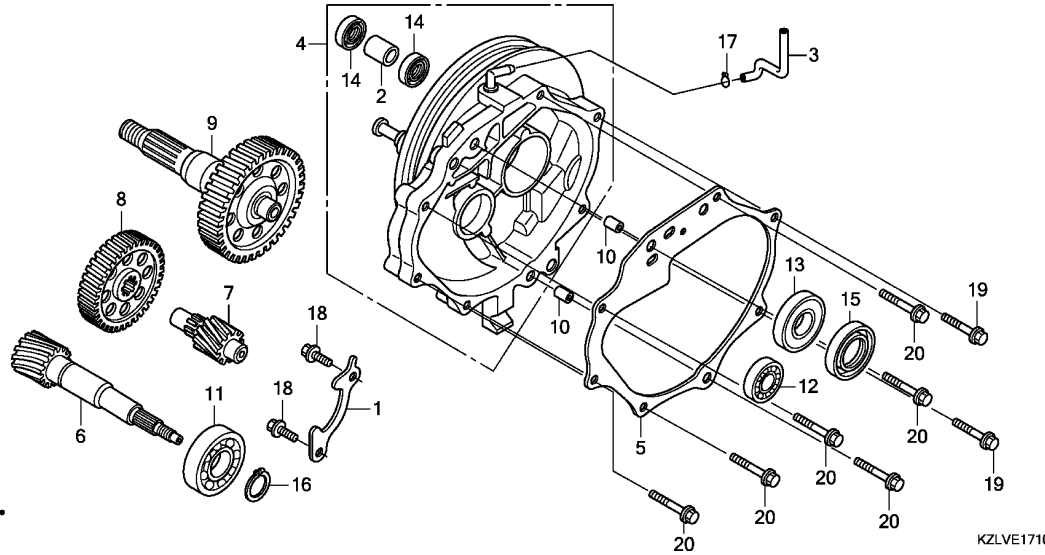
Ref. No.	Part No.	Description	Reqd. QTY			Serial No.	Parts catalogue code
			NSC110				
			CBF	CSF	E		
			C	D	E		
1	22100-KWN-900	OUTER COMP., CLUTCH	1	1	1		
2	22350-KVB-900	PLATE COMP., DRIVE	1	1	1		
3	22361-KVB-900	PLATE, CLUTCH SIDE	1	1	1		
4	22401-KGF-912	SPRING, CLUTCH	3	3	3		
5	22535-GGC-900	WEIGHT SET, CLUTCH	1	1	1		
6	22804-GB2-000	RUBBER, CLUTCH DAMPER	3	3	3		
7	23100-KZL-931	BELT, DRIVE (BANDO)	1	1	1		
8	23205-GGC-900	FACE SET, DRIVEN	1	1	1		
9	23224-KZL-930	FACE SET, MOVABLE DRIVE	1	1	1		
10	23225-GW3-000	PIN, ROLLER GUIDE	3	3	3		
11	23226-GCC-C50	ROLLER, GUIDE	3	3	3		
12	23233-GGC-900	SPRING, DRIVEN FACE	1	1	1		
13	23237-GCC-C50	COLLAR, SEAL	1	1	1		
14	23238-KVB-900	COLLAR, SPRING	1	1	1		
15	90202-KN7-670	NUT, SPECIAL, 28MM	1	1	1		
16	90441-GY6-940	WASHER, 12.2X29X2.5	1	1	1		
17	90605-166-720	CIRCLIP, 7MM	3	3	3		
18	91004-KCW-880	BEARING, RADIAL BALL, 6902U	1	1	1		
19	91109-KVY-901	BEARING, NEEDLE, 20X29X18 (SCHAEFFLER)	1	1	1		
20	91211-GFC-771	OIL SEAL, 34X39X3 (ARAI)	2	2	2		
21	91351-642-000	O-RING, PINION CAP	1	1	1		
22	91351-GR1-000	O-RING, 38.5X2	1	1	1		
23	94030-12200	NUT, HEX., 12MM	1	1	1		
24	94520-28000	CIRCLIP, INTERNAL, 28MM	1	1	1		



E-17-10

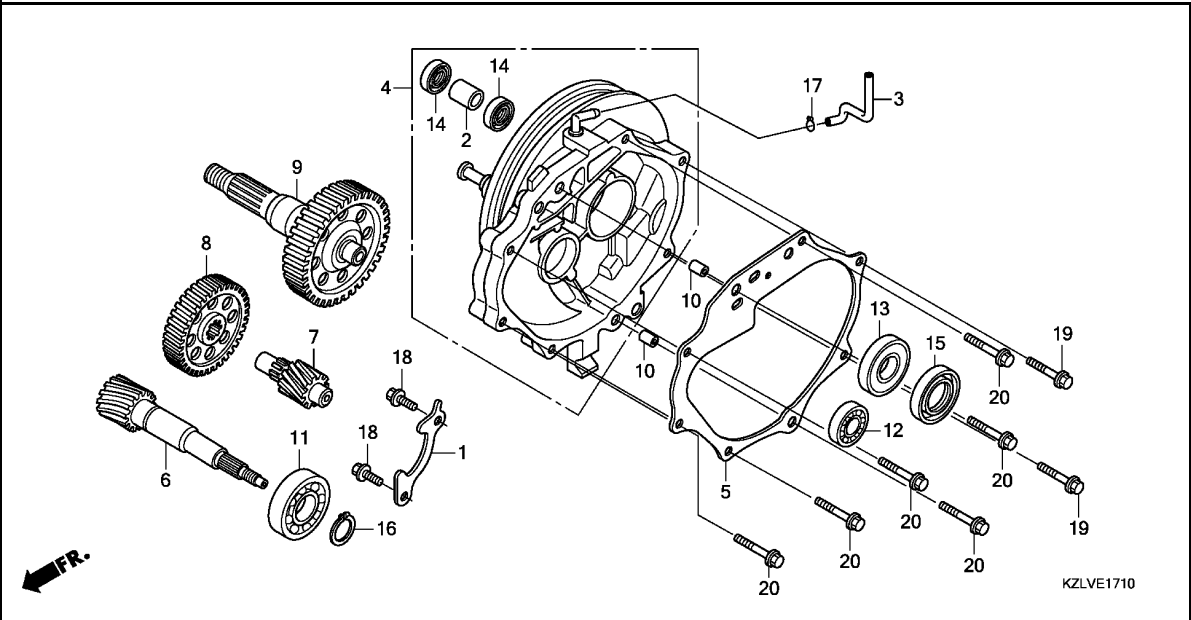
TRANSMISSION

D15



Ref. No.	L.O.N.	(Relative ref. Number) Description	F.R.T.
4	2101A2	CASE, TRANSMISSION	1.1
5	2101A3	GASKET, TRANSMISSION CASE	0.8
6	2101E9	SHAFT, DRIVE	1.1
7	210142	COUNTERSHAFT, TRANSMISSION ...	0.8
8	2101A5	GEAR, COUNTER	0.8
9	210170	SHAFT, FINAL GEAR	0.8
11	2101F1	BEARING, DRIVESHAFT :RIGHT ...	1.1
	2101J1	BEARING, DRIVESHAFT :BOTH	1.2
12	2101C8	BEARING, COUNTERSHAFT :RIGHT ..	1.0
	2101C9	BEARING, COUNTERSHAFT :BOTH ..	1.1
13	(15)		
	2101E6	BEARING, FINAL GEAR SHAFT :RIGHT	1.0
	2101J0	BEARING, FINAL GEAR SHAFT :BOTH	1.1

Ref. No.	Part No.	Description	Reqd. QTY			Serial No.	Parts catalogue code
			NSC110				
			CBF	D	CSF		
			C	D	E		
1	11108-KZL-930	PLATE, MISSION BEARING SETTING	1	1	1		
2	11204-KGF-900	SLEEVE, RR. BRAKE CAM	1	1	1		
3	11211-KZL-930	TUBE, MISSION BREATHER	1	1	1		
4	21200-KZL-A00	CASE COMP., TRANSMISSION	1	1	1		
5	21395-KVB-901	GASKET, MISSION CASE	1	1	1		
6	23411-KZL-930	SHAFT, DRIVE(18T)	1	1	1		
7	23421-KVB-900	SHAFT, COUNTER(12T)	1	1	1		
8	23422-KVG-900	GEAR, COUNTER(51T)	1	1	1		
9	23430-KVB-900	GEAR COMP., FINAL(45T)	1	1	1		
10	90702-KFM-900	DOWEL PIN, 8X12	2	2	2		
11	91001-KE6-831	BEARING, RADIAL BALL, 6204 (NTN)	1	1	1		
12	91007-KVB-901	BEARING, RADIAL BALL, 6201 (NTN)	1	1	1		
	91007-KVB-902	BEARING, RADIAL BALL, 6201 (FUJIKOSHI)	1	1	1		
13	91009-KVB-901	BEARING, RADIAL BALL, 60/22 UU (KOYO)	1	1	1		
	91009-KZL-931	BEARING, RADIAL BALL, 60/22 UU (NSK)	1	1	1		
14	91201-434-003	OIL SEAL, 14X20X3.2	2	2	2		
15	91255-KVB-901	OIL SEAL, 29X44X7(NOK)	1	1	1		
	91255-KVB-902	OIL SEAL, 29X44X7(ARAI)	1	1	1		
16	94510-20000	CIRCLIP, EXTERNAL, 20MM	1	1	1		
17	95002-50000	CLIP, TUBE(C9)	1	1	1		
18	95701-06014-00	BOLT, FLANGE, 6X14	2	2	2		



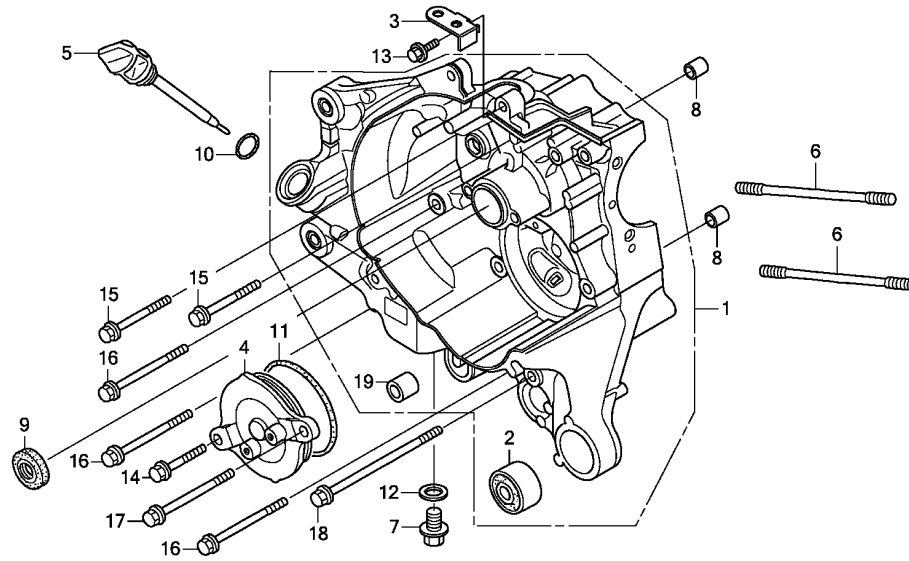
Ref. No.	Part No.	Description	Reqd. QTY			Serial No.	Parts catalogue code
			NSC110				
			CBF	CSF			
			C	D	E		

19	95701-06030-00	BOLT, FLANGE, 6X30	2	2	2		
20	95701-06040-00	BOLT, FLANGE, 6X40	6	6	6		

E-19-10

RIGHT CRANKCASE

E 1



KZLVE1910A

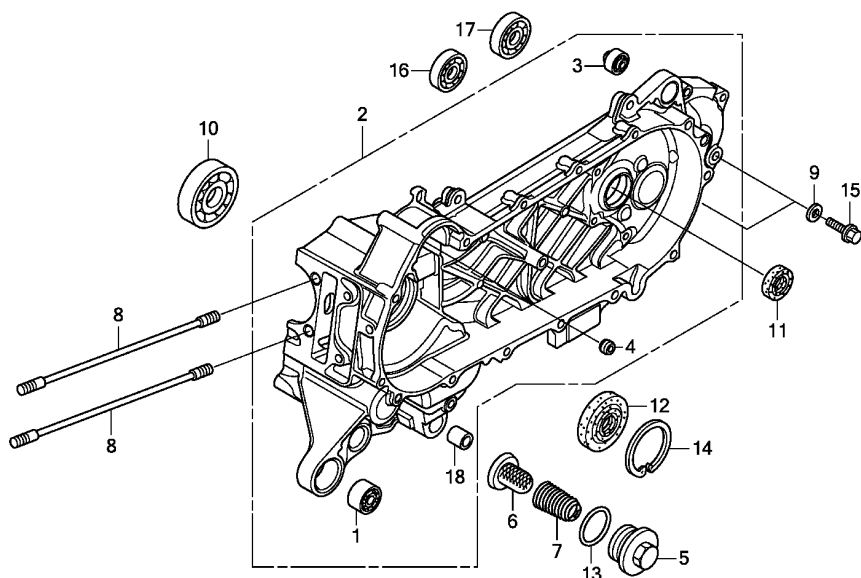
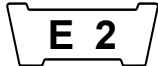
Ref. No.	L.O.N.	(Relative ref. Number) Description	F.R.T.
1	110120	CRANKCASE :RIGHTINCLUDES: Engine removal and installation	4.0
	1101A2	CRANKCASE :BOTHINCLUDES: Engine removal and installation	5.1
9	110132	OIL SEAL, CRANKSHAFT :RIGHT .. .INCLUDES: Engine removal and installation	3.8
	1101H3	OIL SEAL, CRANKSHAFT :BOTHINCLUDES: Engine removal and installation	4.2

Ref. No.	Part No.	Description	Reqd. QTY			Serial No.	Parts catalogue code
			NSC110				
			CBF	D	CSF		
			C	D	E		
1	11100-KZL-930	CRANKCASE COMP., R.	1	1	1		
2	11103-KVB-901	BUSH, ENGINE HANGER RUBBER (HOKUSHIN)	1	1	1		
	11103-KVB-930	BUSH, ENGINE HANGER RUBBER ..	1	1	1		
	11216-GGC-900	1	1	1		
3	11105-KZL-E00	CLAMPER, SUB HARNESS	1	1	1		
4	11361-KVY-900	COVER, OIL PUMP	1	1	1		
5	15651-KZL-930	GAUGE, OIL LEVEL	1	1	1		
6	90031-KVB-900	BOLT A, STUD, 7X193.5	2	2	2		
7	90131-883-000	BOLT, DRAIN PLUG, 12X15	1	1	1		
8	90702-KZL-930	PIN, SPECIAL DOWEL, 6.3X10X12	2	2	2		
9	91201-GCC-771	OIL SEAL, 16X26X7	1	1	1		
10	91307-035-000	O-RING, 18X3	1	1	1		
11	91307-639-000	O-RING, 64X2	1	1	1		
12	94109-12000	WASHER, DRAIN PLUG, 12MM	1	1	1		
13	95701-06014-00	BOLT, FLANGE, 6X14	1	1	1		
14	95701-06022-00	BOLT, FLANGE, 6X22	1	1	1		
15	95701-06055-00	BOLT, FLANGE, 6X55	3	3	3		
16	95701-06080-00	BOLT, FLANGE, 6X80	3	3	3		
17	95701-06085-07	BOLT, FLANGE, 6X85	1	1	1		
18	95701-06115-00	BOLT, FLANGE, 6X115	1	1	1		
19	11205-GBC-300	BUSH, MAINSTAND	1	1	1		

2

E-19-20

LEFT CRANKCASE

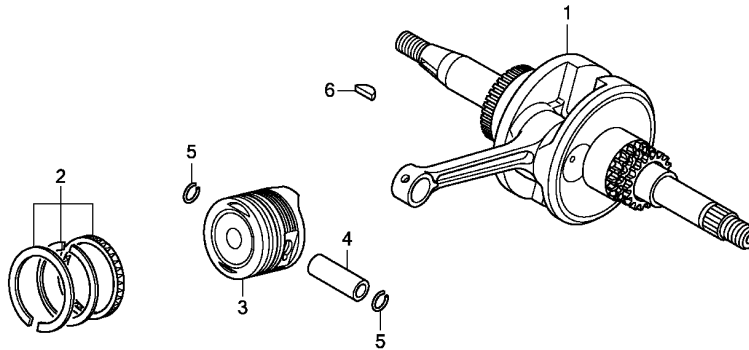


KZLVE1920

Ref. No.	L.O.N.	(Relative ref. Number) Description	F.R.T.
2	110115	CRANKCASE :LEFTINCLUDES: Engine removal and installation	4.9
	1101A2	CRANKCASE :BOTHINCLUDES: Engine removal and installation	5.1
6	1131B5	SCREEN, OIL FILTER (5,7,13)	0.2
10	1101B6	BEARING, CRANKSHAFT :LEFTINCLUDES: Engine removal and installation	4.1
11	2101E7	OIL SEAL, DRIVESHAFTINCLUDES: Engine removal and installation	1.1
12	110131	OIL SEAL, CRANKSHAFT :LEFTINCLUDES: Engine removal and installation	4.1
	1101H3	OIL SEAL, CRANKSHAFT :BOTHINCLUDES: Engine removal and installation	4.2
16	2101C7	BEARING, COUNTERSHAFT :LEFT ..	1.0
	2101C9	BEARING, COUNTERSHAFT :BOTH ..	1.1
17	2101E5	BEARING, FINAL GEAR SHAFT :LEFT ..	1.0
	2101J0	BEARING, FINAL GEAR SHAFT :BOTH ..	1.1



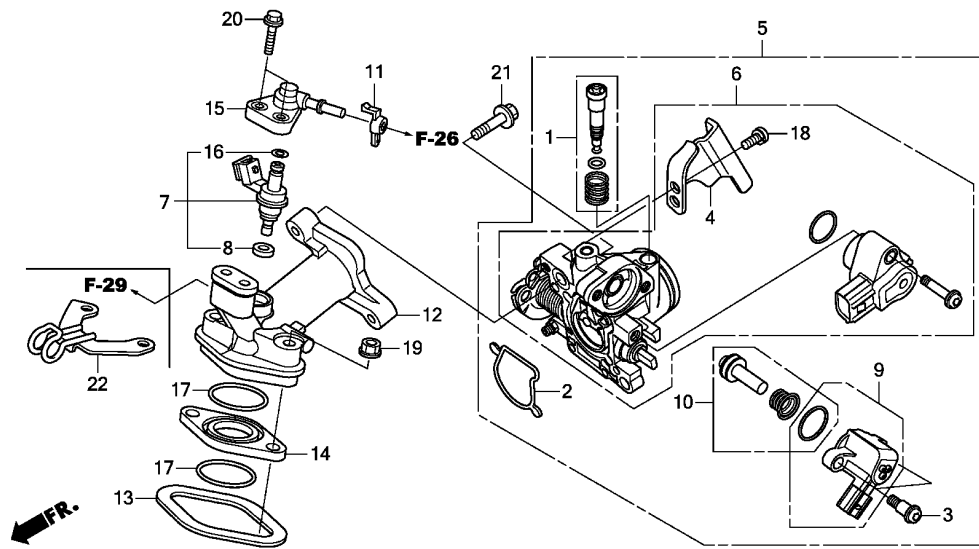
Ref. No.	Part No.	Description	Reqd. QTY			Serial No.	Parts catalogue code
			NSC110	CBF	CSF		
			C	D	E		
1	11103-KVB-901	BUSH, ENGINE HANGER RUBBER (HOKUSHIN)	1	1	1		
	11103-KVB-930	BUSH, ENGINE HANGER RUBBER ..	1	1	1		
	11216-GGC-900	1	1	1		
2	11200-KZL-E00	CRANKCASE COMP., L.	1	1	1		
3	11203-GC7-300	BUSH, RR. CUSHION UNDER RUBBER	1	1	1		
	11203-KVB-901	BUSH, RR. CUSHION UNDER RUBBER (HOKUSHIN)	1	1	1		
4	11205-GW3-980	BUSH, 8X12X6	1	1	1		
5	12361-035-000	CAP, TAPPET ADJUSTING HOLE ..	1	1	1		
6	15421-107-000	SCREEN, OIL FILTER	1	1	1		
	15421-KPL-900	1	1	1		
7	15426-KVB-900	SPRING, OIL FILTER SCREEN ...	1	1	1		
8	90032-KVB-900	BOLT B, STUD, 7X198.5	2	2	2		
9	90474-333-000	WASHER, SEALING, 8MM	2	2	2		
10	91002-KVY-901	BEARING, RADIAL BALL, 6007 (FUJIKOSHI)	1	1	1		
11	91202-KJ9-003	OIL SEAL, 20X32X6	1	1	1		
12	91202-KVB-901	OIL SEAL, 20.8X52X6X7.5	1	1	1		
13	91302-001-020	O-RING, 30.8MM	1	1	1		
14	94520-52150	CIRCLIP, INTERNAL, 52MM	1	1	1		
15	95701-08012-00	BOLT, FLANGE, 8X12	2	2	2		
16	96100-63010-00	BEARING, RADIAL BALL, 6301 ..	1	1	1		
17	96100-63020-00	BEARING, RADIAL BALL, 6302 ..	1	1	1		
18	11205-GBC-300	BUSH, MAINSTAND	1	1	1		



KZLVE2000

Ref. No.	L.O.N.	(Relative ref. Number) Description	F.R.T.
1	1101B5	CRANKSHAFTINCLUDES: Engine removal and installation (2,4,5)	4.3
3	111103	PISTON RING AND/OR PISTON(ONE)INCLUDES: Engine removal and installation	2.8

Ref. No.	Part No.	Description	Reqd. QTY			Serial No.	Parts catalogue code
			NSC110				
			CBF	CSF			
			C	D	E		
1	13000-KZL-E00	CRANKSHAFT COMP.	1	1	1		
2	13011-KWW-740	RING SET, PISTON(STD.) (RIKEN)	1	1	1		
	13021-KWW-740	RING SET, PISTON(0.25) (RIKEN)	(1)	(1)	(1)		
	13031-KWW-740	RING SET, PISTON(0.50) (RIKEN)	(1)	(1)	(1)		
	13041-KWW-740	RING SET, PISTON(0.75) (RIKEN)	(1)	(1)	(1)		
	13051-KWW-740	RING SET, PISTON(1.00) (RIKEN)	(1)	(1)	(1)		
3	13101-KZL-930	PISTON(STD.)	1	1	1		
	13102-KZL-930	PISTON(0.25)	(1)	(1)	(1)		
	13103-KZL-930	PISTON(0.50)	(1)	(1)	(1)		
	13104-KZL-930	PISTON(0.75)	(1)	(1)	(1)		
	13105-KZL-930	PISTON(1.00)	(1)	(1)	(1)		
4	13111-087-000	PIN, PISTON	1	1	1		
5	13115-GN5-910	CLIP, PISTON PIN, 13MM	2	2	2		
6	90741-KVY-900	KEY, WOODRUFF	1	1	1		



KZLVE2200A

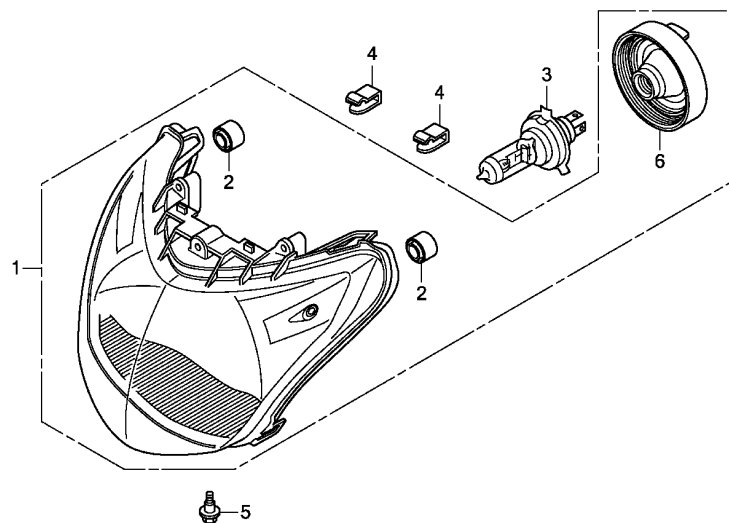
Ref. No.	L.O.N.	(Relative ref. Number) Description	F.R.T.
5	311132	BODY ASSY., THROTTLE	0.4
6	311130	BODY, THROTTLE	0.5
7		(8,15,16)	
	311145	INJECTOR, FUEL	0.5
9		(10)	
	311125	VALVE, STARTER	0.5
12		(14,17)	
	111107	MANIFOLD, INTAKE	0.5

Ref. No.	Part No.	Description	Reqd. QTY			Serial No.	Parts catalogue code
			NSC110				
			CBF	CSF	E		
			C	D	E		
1	16016-KVB-S51	SCREW SET	1	1	1		
2	16075-KVB-S51	O-RING, THROTTLE BODY	1	1	1		
3	16081-KPH-701	SCREW, TORX, 5X8.7	2	2	2		
4	16169-KVB-S51	STAY, WIRE	1	1	1		
5	16400-KZL-E01	THROTTLE BODY ASSY.(GQRLA A)	1	1	1		
6	16410-KZL-E01	BODY SET	1	1	1		
7	16450-KVB-S51	INJECTOR ASSY., FUEL	1	1	1		
8	16472-KPC-D50	RING, SEAL	1	1	1		
9	16480-KVB-S51	SOLENOID	1	1	1		
10	16485-KVB-S51	SEAT SET	1	1	1		
11	16718-KTW-900	DAMPER A, CONNECTOR	1	1	-		
12	17111-KZL-860	PIPE, IN.	1	1	-		
	17110-KZL-E00	PIPE COMP., IN.	-	-	1		
13	17113-GGC-900	RUBBER, IN. PIPE SEAL	1	1	1		
14	17119-GGC-900	INSULATOR, IN. PIPE	1	1	1		
15	17560-KZL-930	JOINT COMP., INJECTOR	1	1	1		
16	91301-GGL-J01	O-RING, 6.3X2.2	1	1	1		
17	91308-GFM-900	O-RING, 25.5X1.9	2	2	2		
18	93892-05012-18	SCREW-WASHER, 5X12	1	1	1		
19	94050-06000	NUT, FLANGE, 6MM	2	2	2		
20	95701-06022-00	BOLT, FLANGE, 6X22	2	2	2		
21	96001-06020-00	BOLT, FLANGE, 6X20	2	2	2		
22	17120-KZL-930	CLAMPER COMP., TUBE	-	-	1		



F-1

HEADLIGHT

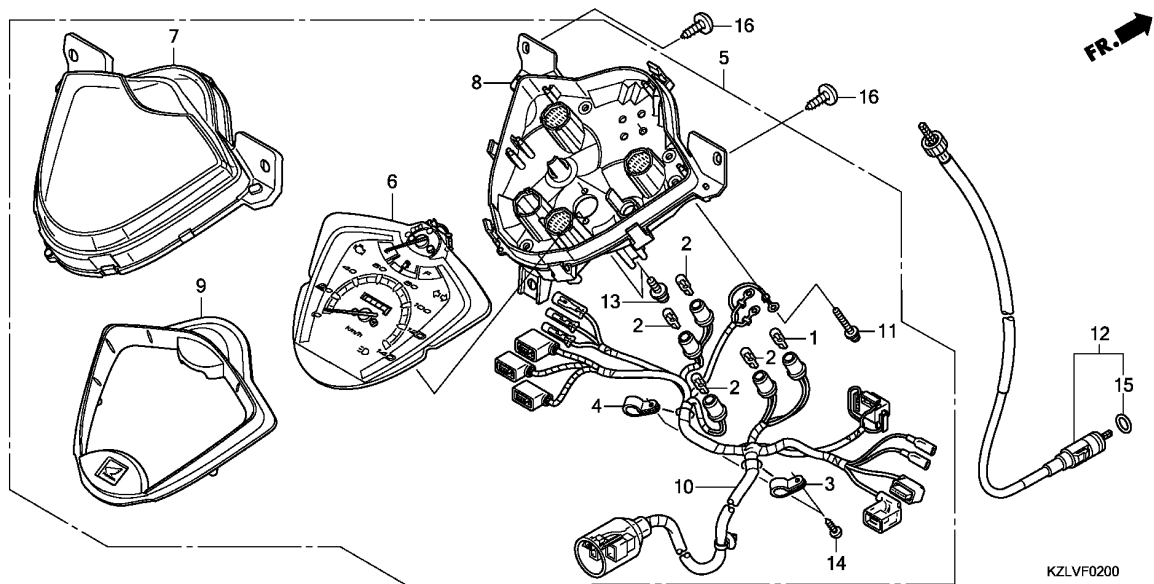


KZLVF0100A

Ref. No.	L.O.N.	(Relative ref. Number) Description	F.R.T.
1	6161A7	HEADLIGHT UNIT	0.3
3		(6)	
	616118	BULB, HEADLIGHT	0.2

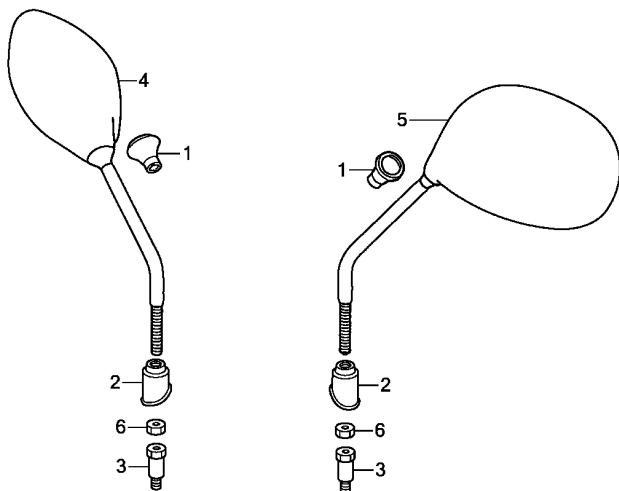
3

Ref. No.	Part No.	Description	Reqd. QTY			Serial No.	Parts catalogue code
			NSC110				
			CBF	CSF			
			C	D	E		
1	33101-KZL-841	HEADLIGHT UNIT	1	1	1		
2	33113-KWR-003	PIPE, CP	2	2	2		
3	34901-KZL-841	BULB, HEADLIGHT(12V 35/35W) -	1	1	1		
4	53209-GAH-000	CLIP, HEADLIGHT	2	2	2		
5	90101-KZL-930	BOLT, ADJUSTING	1	1	1		
6	33102-KZL-841	COVER, RUBBER	1	1	1		



Ref. No.	L.O.N.	(Relative ref. Number) Description	F.R.T.
1		(2)	
	6161G3	BULB, METER	0.2
		.NOTE: Same time for two units or more	
5	8121A1	METER ASSY., COMBINATION	1.0
6	8121A2	METER, COMBINATION	0.7
7	8121B7	LENS, METER	0.6
8	8121B3	CASE, METER	0.6
9	4131A3	PLATE, REFLECTING	0.6
10	6161G4	SOCKET ASSY., METER BULB	1.0
12	811160	CABLE, SPEEDOMETER	0.4

Ref. No.	Part No.	Description	Reqd. QTY			Serial No.	Parts catalogue code
			NSC110	CBF	CSF		
			C	D	E		
1	34908-GA7-701	BULB, WEDGE BASE(T10) (12V 3.4W)(NIPPON SEIKI) (TURN)	1	1	1		
	34909-KVR-600	BULB, WEDGE BASE(T10) (12V 3.4W)(TOSHIBA) (TURN)	1	1	1		
2	34908-KVE-900	BULB, WEDGE BASE(T10) (12V 1.7W)(TOSHIBA)	4	4	4		
	34908-MB9-871	BULB, WEDGE BASE(T10) (12V 1.7W)(STANLEY)	4	4	4		
3	37121-ML7-671	CLAMP	1	1	1		
4	37121-MZ0-760	CLAMP	1	-	-		
	37215-KS3-901	-	1	1		
5	37200-KZL-E01	METER ASSY., COMBINATION	1	1	1		
6	37210-KZL-E01	SPEEDOMETER COMP.	1	1	1		
7	37211-KZL-931	LENS	1	1	1		
8	37212-KZL-E01	CASE ASSY.	1	1	1		
9	37214-KZL-931	REFLECTING ASSY., PLATE	1	1	1		
10	37224-KZL-E01	SOCKET COMP.	1	1	1		
11	37305-KE5-008	SCREW-WASHER, 3X22	3	3	3		
12	44830-KZL-E00	CABLE COMP., SPEEDOMETER	1	1	1		
13	90035-166-008	SCREW-WASHER, SPECIAL, 4X10	2	2	2		
14	90109-MZ5-008	SCREW, TAPPING, 4X14	2	2	2		
15	91256-KK3-840	O-RING, 10X1.5	1	1	1		
16	93903-35320	SCREW, TAPPING, 5X16	3	3	3		



KZLVF0300

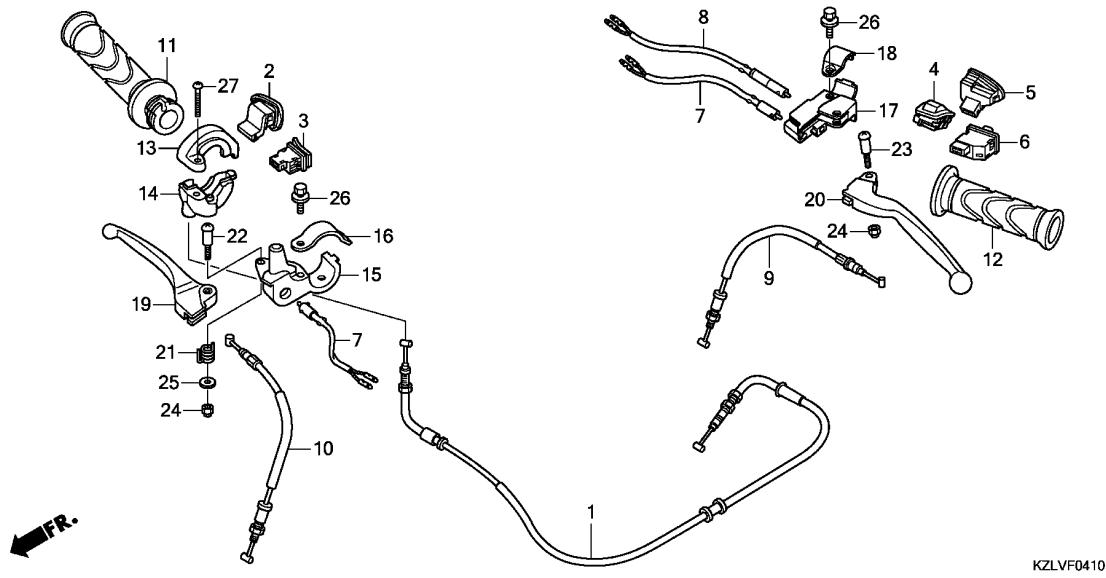
Ref. L.O.N. (Relative ref. Number) F.R.T.
No. Description

NO INFORMATION

Ref. No.	Part No.	Description	Reqd. QTY			Serial No.	Parts catalogue code
			NSC110				
			CBF	D	CSF		
			C	D	E		
1	88113-KZL-E00	BOOT, MIRROR	2	2	2		
2	88114-KVB-900	CAP, LOCK NUT	2	2	2		
3	88115-KZL-930	BOLT, ADAPTER, 10MM	2	2	2		
4	88210-KZL-E00	MIRROR COMP., R.	1	1	1		
5	88220-KZL-E00	MIRROR COMP., L.	1	1	1		
6	90301-GFC-B50	NUT, LOCK(LEFT HAND THREAD) -	2	2	2		

F-4-10

HANDLE LEVER/SWITCH/CABLE



Ref. No.	L.O.N.	(Relative ref. Number) Description	F.R.T.
1	811100	CABLE, THROTTLE	1.1
2	6151C1	SWITCH, LIGHTING	0.3
3	615116	SWITCH, STARTER	0.3
4	615117	SWITCH, DIMMER	0.3
5	6151A3	SWITCH, HORN	0.3
6	615118	SWITCH, WINKER	0.3
7	6151B2	SWITCH, FRONT STOP	0.4
	6151B3	SWITCH, REAR STOP :LEVER SIDE	0.4
	6151B6	SWITCH, STOP :BOTH	0.5
8	6151C6	SWITCH, LEFT START	0.4
9	8111E1	CABLE, REAR BRAKE FIRST	0.4
10	811125	CABLE, FRONT BRAKE	0.4
11	810150	GRIP, THROTTLE	0.4
12	8101C0	GRIP, HANDLE :LEFT	0.1
14	810155	HOUSING, THROTTLE	0.4
15	8101C9	BRACKET, HANDLE LEVER :RIGHT ..	0.5
17	8101C8	BRACKET, HANDLE LEVER :LEFT ..	0.5
	8101D0	BRACKET, HANDLE LEVER :BOTH ..	0.6
19	8101C7	LEVER, HANDLE :RIGHT	0.3
20	8101C6	LEVER, HANDLE :LEFT	0.3
	8101F5	LEVER, HANDLE :BOTH	0.4

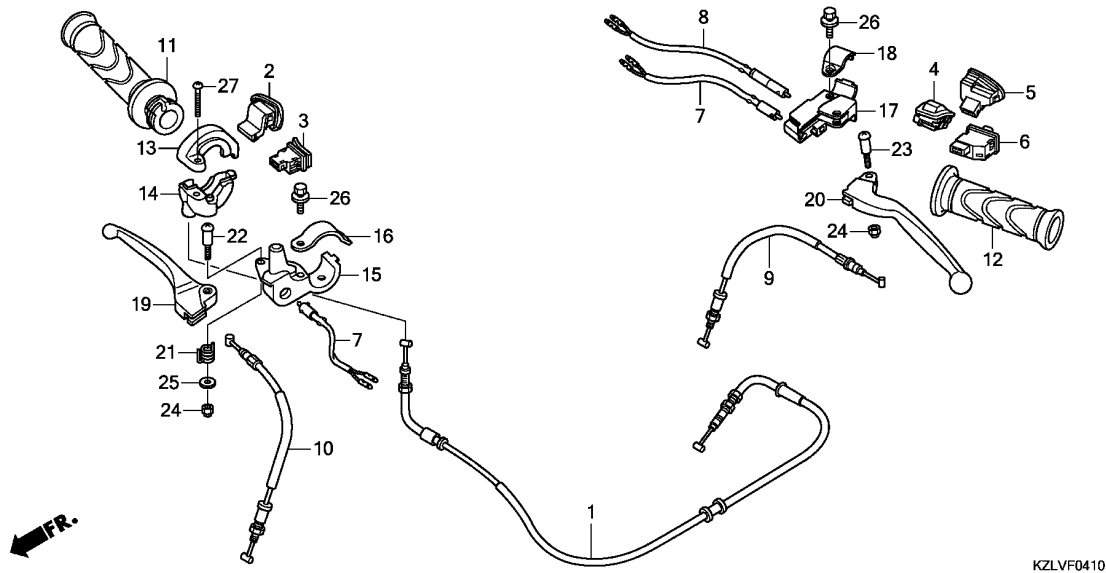
Ref. No.	Part No.	Description	Reqd. QTY			Serial No.	Parts catalogue code
			NSC110				
			CBF	D	CSF		
			C	D	E		
1	17910-KZL-E01	CABLE COMP., THROTTLE	1	1	1		
2	35150-KWW-A01	SWITCH UNIT, LIGHTING	1	1	-		
	35150-KYZ-V01	-	-	1		
3	35160-KWW-A01	SWITCH UNIT, STARTER	1	1	-		
	35160-KYZ-901	-	-	1		
4	35170-KWW-A02	SWITCH UNIT, DIMMER	1	1	-		
	35170-KYZ-901	-	-	1		
5	35180-KWW-A01	SWITCH UNIT, HORN	1	1	-		
	35180-KYZ-901	-	-	1		
6	35200-KWW-A01	SWITCH UNIT, WINKER	1	1	-		
	35200-KYZ-901	-	-	1		
7	35340-KPH-901	SWITCH ASSY., FR. STOP	2	2	2		
8	35345-GFM-J11	SWITCH ASSY., INHIBITOR	1	1	1		
9	43440-KZL-E01	CABLE COMP., RR. BRAKE FIRST ..	1	1	1		
10	45440-KZL-E01	CABLE COMP., FR. BRAKE FIRST ..	1	1	1		
11	53140-KVB-T00	GRIP COMP., THROTTLE	1	1	1		
12	53166-KWB-600	GRIP, L. HANDLE	1	1	1		
13	53167-KFM-900	HOUSING, UPPER THROTTLE	1	1	1		
14	53168-KFM-900	HOUSING, UNDER THROTTLE	1	-	-		
	53168-KFM-901	-	1	1		
15	53168-KZL-E00	BRACKET, R. HANDLE LEVER	1	1	1		
16	53171-KZL-E00	BAND, HANDLE BRACKET	1	1	1		
17	53172-KZL-930	BRACKET, L. HANDLE LEVER	1	-	-	----- 0206178	
	53172-KZL-E00	1	-	-	0206179 -----	
	53172-KZL-930	-	1	1		
18	53173-GFM-970	BAND, HANDLE BRACKET	1	1	1		



F-4-10

HANDLE LEVER/SWITCH/CABLE

F 5

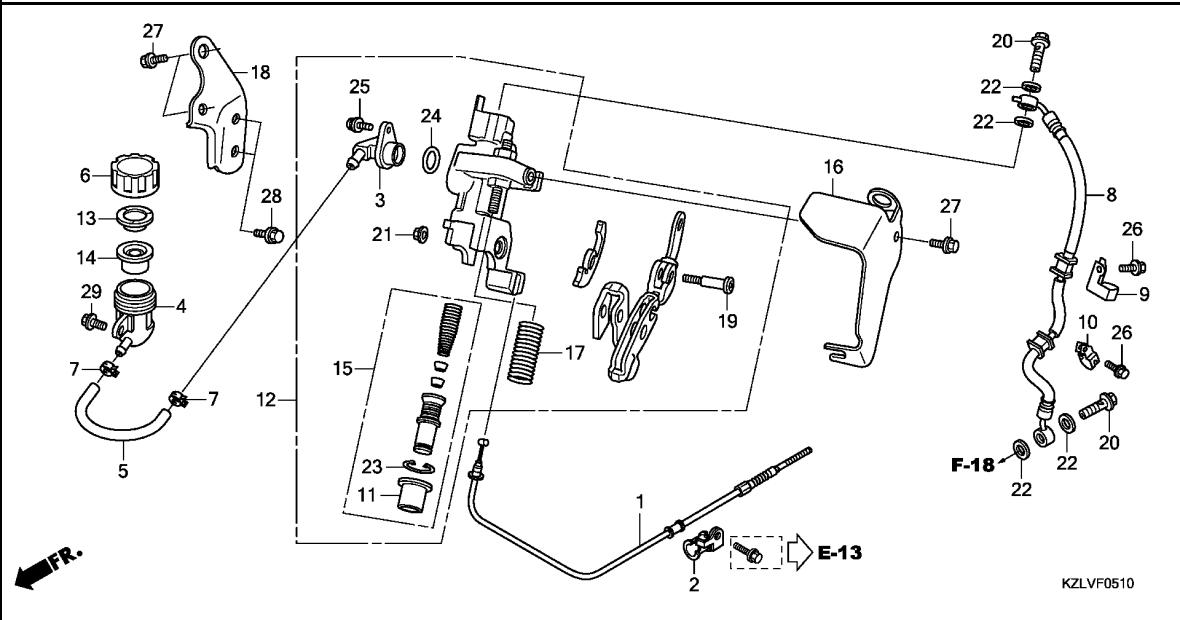


Ref. No.	Part No.	Description	Reqd. QTY			Serial No.	Parts catalogue code
			NSC110				
			CBF	CSF	E		
19	53175-KZL-E00	LEVER, R. STEERING HANDLE ...	1	1	1		
20	53178-KZL-940	LEVER, L. STEERING HANDLE ...	1	1	1		
21	53199-KZL-E00	SPRING, BRAKE LEVER RETURN ..	1	1	1		
22	90115-GBL-870	SCREW, HANDLE LEVER PIVOT ...	1	1	1		
23	90116-GFM-900	SCREW, HANDLE LEVER PIVOT ...	1	1	1		
24	90302-KVB-T01	NUT, U, 5MM	2	2	2		
25	90483-041-000	WASHER, STOPPER	1	1	1		
26	93401-06020-00	BOLT-WASHER, 6X20	2	2	2		
27	93500-05025-0A	SCREW, PAN, 5X25	1	1	1		

F-5-10

BRAKE MASTER CYLINDER

F 6



Ref. No.	L.O.N.	(Relative ref. Number) Description	F.R.T.
1	8111A6	CABLE, REAR BRAKE SECOND	0.5
4	7121S4	CUP, CBS MASTER CYLINDER OIL .INCLUDES: Bleed brakes	0.2
5	7121S5	HOSE, CBS MASTER CYLINDER OIL CUP	0.3
8	7121A0	HOSE, FRONT BRAKE	0.5
12	7111Q4	CYLINDER, CBS MASTER	0.9
14	7121S6	DIAPHRAGM, CBS BRAKE MASTER CYLINDER	0.1
15	7121S2	PISTON SET, CBS MASTER	1.1
16	7111Q5	COVER, CBS MASTER CYLINDER ...	0.1

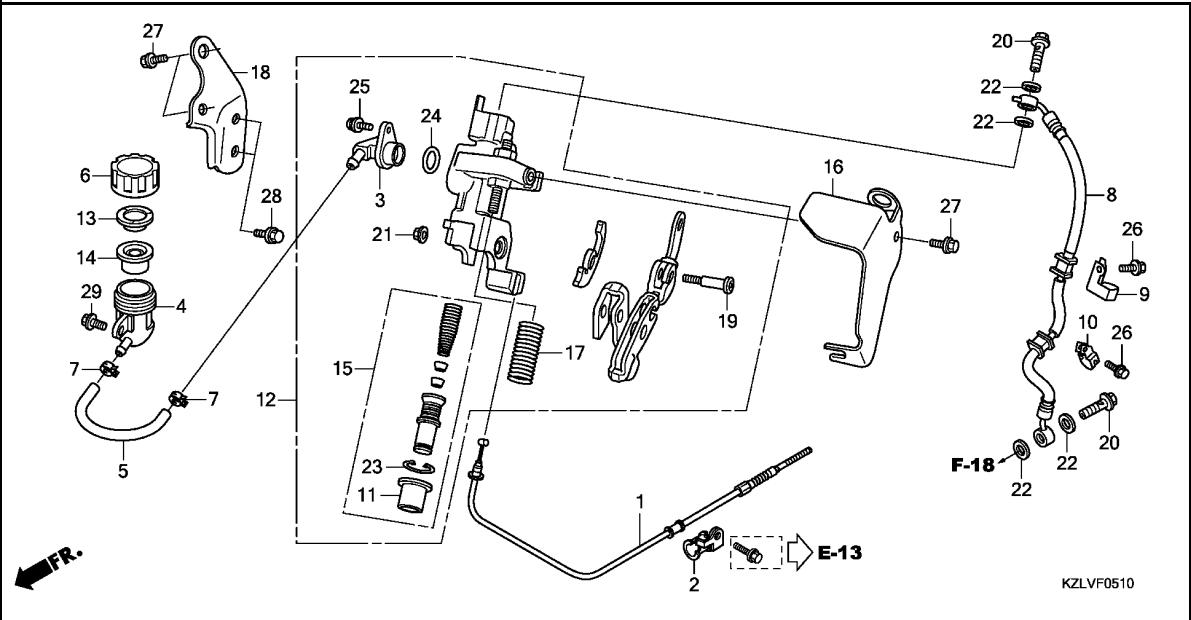
Ref. No.	Part No.	Description	Reqd. QTY			Serial No.	Parts catalogue code
			NSC110				
			CBF	CSF	E		
			C	D	E		
1	43450-KZL-E01	CABLE COMP., RR. BRAKE SECOND	1	1	1		
2	43455-KZL-930	CLAMPER, RR. BRAKE CABLE	1	1	1		
3	43503-KZL-E01	CONNECTOR, MASTER CYLINDER	1	1	1		
4	43511-KS6-702	CUP COMP., MASTER CYLINDER OIL	1	1	1		
5	43512-MAV-006	HOSE, RR. MASTER CYLINDER	1	1	1		
6	43513-KWN-931	CAP, MASTER CYLINDER	1	1	1		
7	43514-KS6-701	CLAMP, MASTER CYLINDER OIL					
		HOSE	2	2	2		
8	45126-KZL-E01	HOSE COMP., FR. BRAKE	1	1	1		
9	45156-KZL-E00	CLAMPER A, BRAKE HOSE	1	1	1		
10	45157-KZL-E00	CLAMPER B, BRAKE HOSE	1	1	1		
11	45504-410-003	BOOT COMP.	1	1	1		
12	45510-KZL-E01	CYLINDER SUB ASSY., FR. MASTER	1	1	1		
13	45518-GM9-711	PLATE, DIAPHRAGM	1	1	1		
14	45520-GM9-711	DIAPHRAGM	1	1	1		
15	45530-MA4-671	CYLINDER SET, MASTER	1	1	1		
16	47602-KZL-E00	COVER, MASTER CYLINDER	1	1	1		
17	47604-KZL-E01	SPRING, DELAY	1	1	1		
18	50312-KZL-E00	STAY, MASTER CYLINDER	1	1	1		
19	90114-KZL-E01	BOLT, PIVOT	1	1	1		
20	90145-KPH-B30	BOLT, OIL, 10X22(NISSIN)	2	2	2		
21	90301-473-003	NUT, U, 6MM(FUSERASHI)	1	1	1		
22	90545-300-000	WASHER, OIL BOLT	4	4	4		
23	90651-MA5-671	CIRCLIP	1	1	1		
24	91212-422-006	O-RING, 14.8X2.4	1	1	1		



F-5-10

BRAKE MASTER CYLINDER

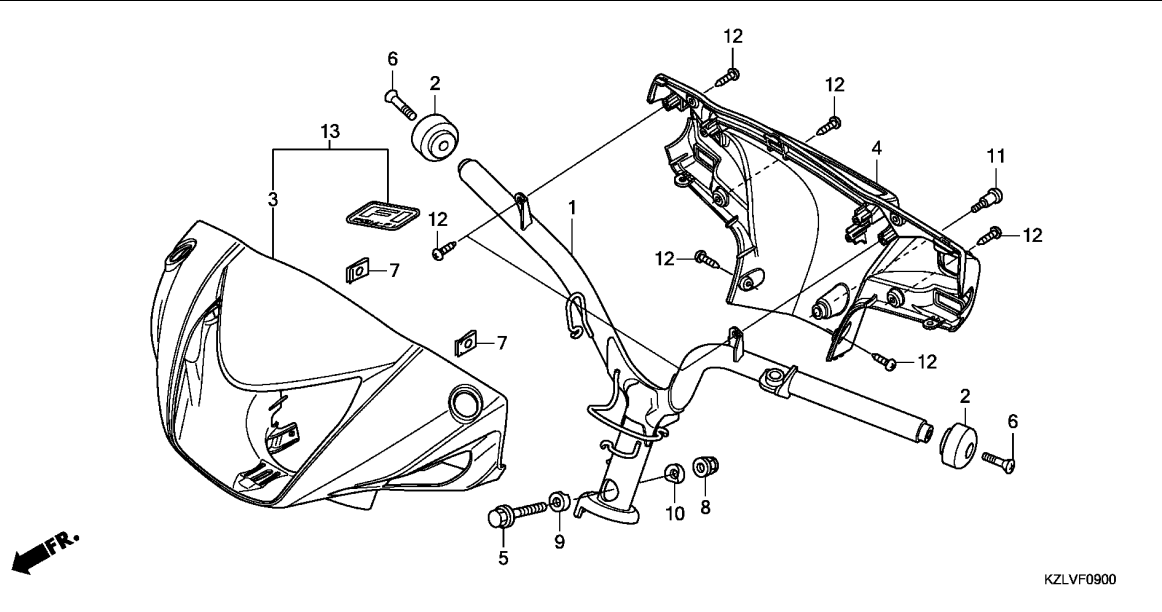
F 7



Ref. No.	Part No.	Description	Reqd. QTY			Serial No.	Parts catalogue code
			NSC110				
			CBF	CSF	E		
			C	D	E		

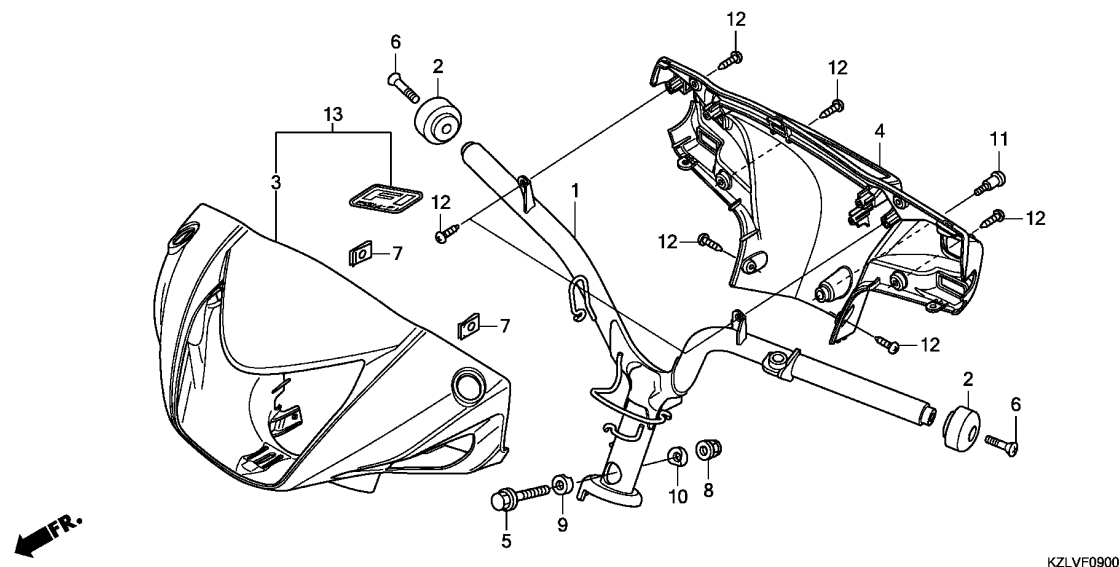
25	93893-04012-17	SCREW-WASHER, 4X12	1	1	1		
26	95701-06012-00	BOLT, FLANGE, 6X12	2	2	2		
27	95701-06014-00	BOLT, FLANGE, 6X14	3	3	3		
28	95701-06016-08	BOLT, FLANGE, 6X16	2	2	2		
29	95701-06014-00	BOLT, FLANGE, 6X14	1	1	1		

3

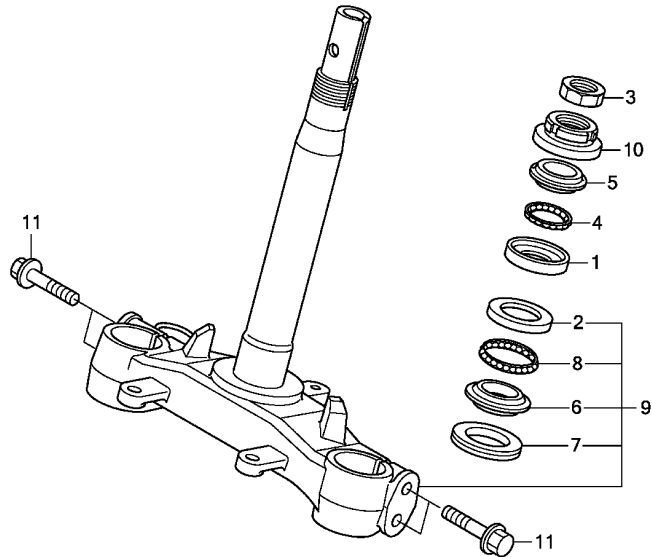


Ref. No.	L.O.N.	(Relative ref. Number) Description	F.R.T.
1	810100	PIPE, STEERING HANDLE	1.3
4	4131B6	COVER, HANDLE :REAR	0.6
13		(3)	
	4131B5	COVER, HANDLE :FRONT	0.3
	4131U1	COVER, HANDLE :BOTH	0.7

Ref. No.	Part No.	Description	Reqd. QTY			Serial No.	Parts catalogue code
			NSC110	CBF	CSF		
			C	D	E		
1	53100-KZL-E00	PIPE COMP., STEERING HANDLE	1	1	1		
2	53102-KVB-S00	WEIGHT A, HANDLE	2	2	2		
3	53205-KZL-E10ZC	COVER, FR. HANDLE					
	53205-KZL-E10ZE	*NHB35P*..PEARL JASMINE WHITE	1	1	1	-----	2V,4V
	53205-KZL-E10ZD	*YR303M* MAHOGANY BROWN METALLIC	1	1	1	-----	2V,4V,5V
	53205-KZL-E10ZB	*R340C*.....CANDY ROSY RED	1	1	-	-----	2V,4V
	53205-KZL-E10ZA	*NHA69P* PEARL MAGELLANIC BLACK	1	1	-	-----	
	53205-KZL-E10ZF	*B206M*...VITAL BLUE METALLIC	1	-	-	-----	
	53205-KZL-E10ZG	*Y192C*CANDY MOON GLOW YELLOW	1	-	-	-----	
	53205-KZL-E10ZH	*R350C*.....CANDY NOBLE RED	-	1	1	-----	2V,5V,V
	53205-KZL-E10ZK	*PB390M*EXALTED BLUE METALLIC	-	-	1	-----	2V
	53205-KZL-E10ZJ	*NHB25M* POSEIDON BLACK METALLIC	-	-	1	-----	V
4	53206-KZL-E00ZA	*NH411M*FORCE SILVER METALLIC	-	-	1	-----	
	53206-KZL-E00ZB	COVER, HANDLE RR.	1	1	-	-----	2V,4V
	53206-KZL-E00ZC	*YR303M* MAHOGANY BROWN METALLIC	-	1	1	-----	2V,5V
	53206-KZL-E00ZD	*R350C*.....CANDY NOBLE RED	-	1	1	-----	2V,5V
	53206-KZL-E00ZE	*NHA69P* PEARL MAGELLANIC BLACK	-	1	-	-----	5V
	53206-KZL-E00ZF	*PB390M*EXALTED BLUE METALLIC	-	-	1	-----	2V
	53206-KZL-E00ZG	*NHB35P*..PEARL JASMINE WHITE	-	-	1	-----	2V
	53206-KZL-E00ZH	*NHB25M* POSEIDON BLACK METALLIC	-	-	1	-----	2V
	53206-KZL-E00ZJ	*NHA62M* MAGNETITE SILVER METALLIC	-	-	1	-----	V



Ref. No.	Part No.	Description	Reqd. QTY			Serial No.	Parts catalogue code
			NSC110	CBF	CSF		
			C	D	E		
5	90102-KZL-930	BOLT, FLANGE, 10X48	1	1	1		
6	90191-KWB-600	SCREW, OVAL, 6X45	2	2	2		
7	90302-KWW-A00	NUT, SPRING, 4MM	2	2	2		
8	90304-KGH-901	NUT, U, 10MM	1	1	1		
9	90501-KPH-880	COLLAR A, HANDLE SETTING	1	1	1		
10	90505-KPH-880	COLLAR B, HANDLE SETTING	1	1	1		
11	91422-GFM-970	SCREW, SPECIAL PAN, 5MM	1	1	1		
12	93903-34480	SCREW, TAPPING, 4X16	8	8	8		
13	53210-KZL-E00ZD	COVER SET, FR. HANDLE(WL) *NHB35P*..PEARL JASMINE WHITE	1	1	1	-----	----- 2V,4V
	53210-KZL-E00ZB	*YR303M* MAHOGANY BROWN METALLIC	1	1	1	-----	----- 2V,4V,5V
	53210-KZL-E00ZC	*R340C*.....CANDY ROSY RED	1	1	-	-----	----- 2V,4V
	53210-KZL-E00ZE	*NHA69P* PEARL MAGELLANIC BLACK	1	1	-		
	53210-KZL-E00ZA	*Y192C*CANDY MOON GLOW YELLOW	1	-	-		
	53210-KZL-E00ZF	*B206M*...VITAL BLUE METALLIC	1	-	-		
	53210-KZL-E00ZG	*R350C*.....CANDY NOBLE RED	-	1	1	-----	----- 2V,5V,V
	53210-KZL-E00ZH	*PB390M*EXALTED BLUE METALLIC	-	-	1	-----	----- 2V
	53210-KZL-E00ZK	*NHB25M* POSEIDON BLACK METALLIC	-	-	1		
	53210-KZL-E00ZJ	*NH411M*FORCE SILVER METALLIC	-	-	1	-----	----- V



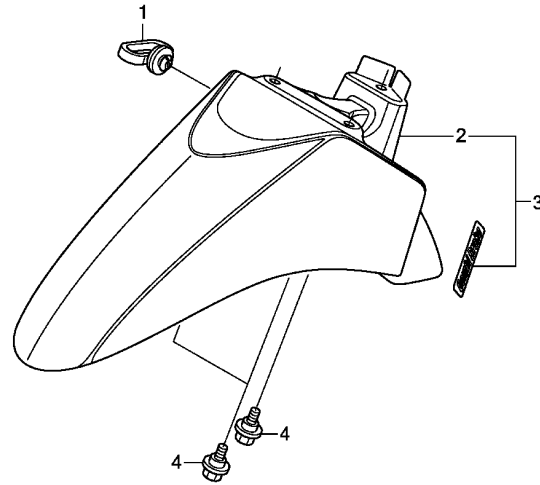
Ref. No.	L.O.N.	(Relative ref. Number) Description	F.R.T.
1		(4)	
5101A0		RACE, STEERING BALL :UPPER ...	2.1
2		5101A1 RACE, STEERING BALL :LOWER ...	2.3
		5101C9 RACE, STEERING BALL :BOTH	2.3
5		5101A9 RACE, STEERING TOP CONE	2.1
6		(7,8)	
		5101B0 RACE, STEERING BOTTOM CONE ...	2.3
9		510100 STEM OR SHAFT ASSY., STEERING	2.1
10		5101B2 THREAD, STEERING HEAD TOP	1.9

Ref. No.	Part No.	Description	Reqd. QTY			Serial No.	Parts catalogue code
			NSC110				
			CBF	CSF			
			C	D	E		
1	50301-GN5-901	RACE, STEERING TOP BALL	1	1	1		
2	50302-GN5-900	RACE, STEERING BOTTOM BALL ..	1	1	1		
3	50306-GN5-900	NUT, STEERING STEM LOCK	1	1	1		
4	53210-KVR-C00	BALL ASSY., STEERING STEEL, #6X21	1	1	1		
5	53211-GN5-900	RACE, STEERING TOP CONE	1	1	1		
6	53212-GN5-900	RACE, STEERING BOTTOM CONE ..	1	1	1		
7	53214-GN5-900	DUST SEAL, STEERING HEAD	1	1	1		
8	53215-KVR-C00	BALL ASSY., STEERING STEEL, #6X26	1	1	1		
9	53219-KZL-E00	STEM SUB ASSY., STEERING	1	1	1		
10	53220-GN5-900	THREAD COMP., STEERING HEAD TOP	1	1	1		
11	95801-10045-08	BOLT, FLANGE, 10X45	4	4	4		

F-11

FRONT FENDER

F11



KZLVF1100

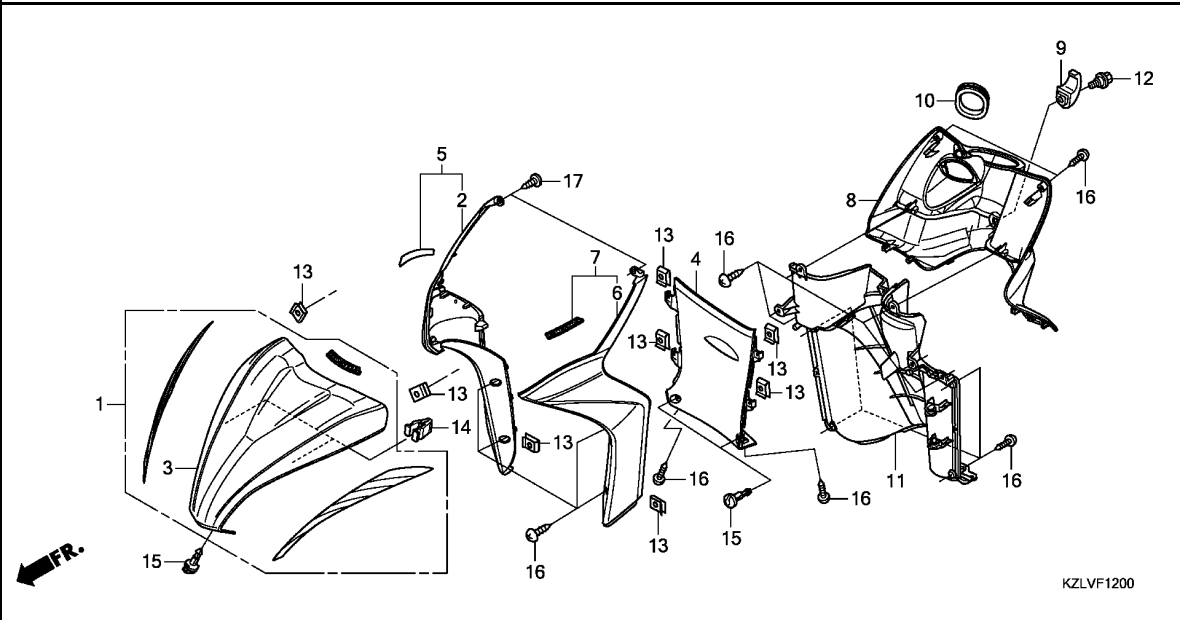
Ref. No.	L.O.N.	(Relative ref. Number) Description	F.R.T.
----------	--------	------------------------------------	--------

3	4131B7	(2) FENDER, FRONT	0.3
---	--------	-------------------------	-----

Ref. No.	Part No.	Description	Reqd. QTY			Serial No.	Parts catalogue code	
			NSC110					
			CBF	CSF				
			C	D	E			
1	45451-471-000	GROMMET, WIRE	1	1	1			
2	61100-KZL-930YG	FENDER, FR.						
	61100-KZL-930YE	*NHB35P*..PEARL JASMINE WHITE *YR303M*	1	1	1	-----	-----	2V,4V
	61100-KZL-930YF	MAHOGANY BROWN METALLIC *R340C*.....CANDY ROSY RED	1	1	1	-----	-----	2V,4V,5V 2V,4V
	61100-KZL-930YH	*NHA69P*						
	61100-KZL-930YD	PEARL MAGELLANIC BLACK *Y192C*CANDY MOON GLOW YELLOW	1	1	-	-----	-----	
	61100-KZL-930YJ	*B206M*...VITAL BLUE METALLIC	1	-	-	-----	-----	
	61100-KZL-930YP	*R350C*.....CANDY NOBLE RED	-	1	1	-----	-----	2V,5V,V
	61100-KZL-930YQ	*PB390M*EXALTED BLUE METALLIC	-	-	1	-----	-----	2V
	61100-KZL-930YS	*NHB25M*						
	61100-KZL-930YR	POSEIDON BLACK METALLIC *NH411M*FORCE SILVER METALLIC	-	-	1	-----	-----	V
3	61110-KZL-E00ZD	FENDER SET, FR.(WL)						
	61110-KZL-E00ZB	*NHB35P*..PEARL JASMINE WHITE *YR303M*	1	1	1	-----	-----	2V,4V
	61110-KZL-E00ZC	MAHOGANY BROWN METALLIC *R340C*.....CANDY ROSY RED	1	1	1	-----	-----	2V,4V,5V 2V,4V
	61110-KZL-E00ZE	*NHA69P*						
	61110-KZL-E00ZA	PEARL MAGELLANIC BLACK *Y192C*CANDY MOON GLOW YELLOW	1	1	-	-----	-----	
	61110-KZL-E00ZF	*B206M*...VITAL BLUE METALLIC	1	-	-	-----	-----	
	61110-KZL-E00ZG	*R350C*.....CANDY NOBLE RED	-	1	1	-----	-----	2V,5V,V
	61110-KZL-E00ZH	*PB390M*EXALTED BLUE METALLIC	-	-	1	-----	-----	2V
	61110-KZL-E00ZK	*NHB25M*						
	61110-KZL-E00ZJ	POSEIDON BLACK METALLIC *NH411M*FORCE SILVER METALLIC	-	-	1	-----	-----	V
4	90111-KZL-A00	BOLT, SPECIAL, 6MM	3	3	3			

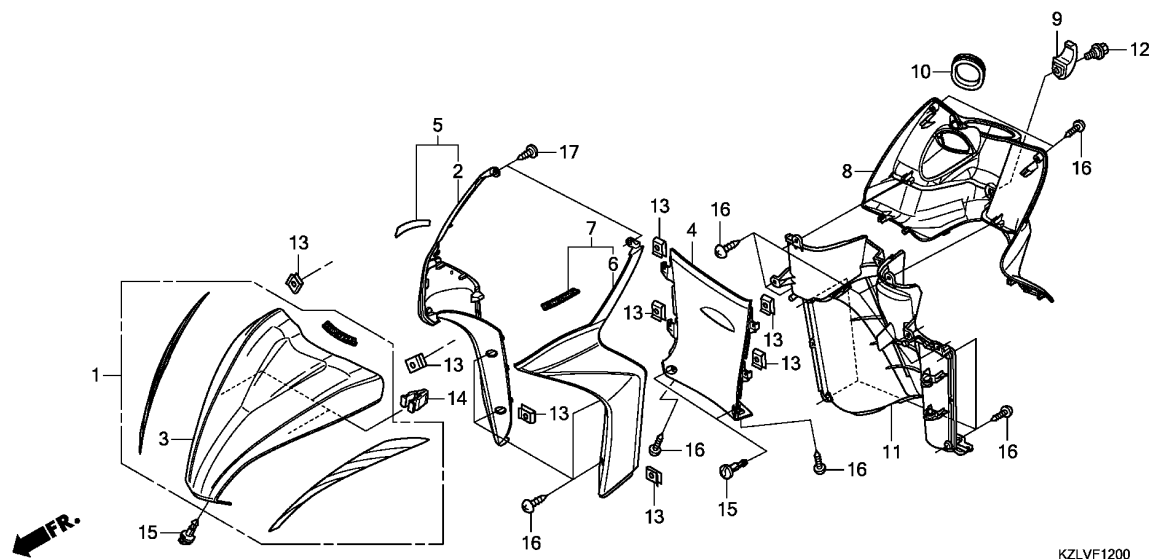
3

62



Ref. No.	L.O.N.	(Relative ref. Number) Description	F.R.T.
1		(3)	
	4111E3	COVER, FRONT	0.1
4	413130	COVER, FRONT LOWER	0.3
5		(2)	
	4111U8	COVER, FRONT :RIGHT	0.3
7		(6)	
	4111U7	COVER, FRONT :LEFT	0.3
	4111U9	COVER, FRONT :BOTH	0.4
8	4111H5	PANEL, INNER :UPPER	0.6
11	4111H6	PANEL, INNER :LOWER	0.6
	4111E6	PANEL, INNER :BOTH	0.6

Ref. No.	Part No.	Description	Reqd. QTY					Serial No.	Parts catalogue code
			NSC110	CBF	CSF	E			
1	64300-KZL-E00ZC	COVER SET, FR.(WL)							
		TYPE4	1	1	-	-	2V,4V		
	64300-KZL-E00ZD	*TYPE3*	1	1	-	-	2V,4V		
	64300-KZL-E00ZE	*TYPE2*	1	1	-	-	2V,4V		
	64300-KZL-E00ZF	*TYPE1*	1	1	-	-	2V,4V		
	64300-KZL-E00ZA	*TYPE6*	1	-	-	-			
	64300-KZL-E00ZB	*TYPE5*	1	-	-	-			
	64300-KZL-E60ZB	*TYPE2*	-	1	-	-	5V		
	64300-KZL-E60ZC	*TYPE1*	-	1	-	-	5V		
	64300-KZL-E60ZD	*TYPE3 1*	-	1	-	-	5V		
	64300-KZL-E80ZA	*TYPE5*	-	-	1	-	2V		
	64300-KZL-E80ZB	*TYPE4*	-	-	1	-	2V		
	64300-KZL-E80ZC	*TYPE3*	-	-	1	-	2V		
	64300-KZL-E80ZD	*TYPE2*	-	-	1	-	2V		
	64300-KZL-E80ZE	*TYPE1*	-	-	1	-	2V		
	64300-KZL-E70ZA	*TYPE3*	-	-	1	-	V		
	64300-KZL-E70ZB	*TYPE2*	-	-	1	-	V		
	64300-KZL-E70ZC	*TYPE1*	-	-	1	-	V		
2	64301-KZL-930ZX	COVER, R. FR. SIDE							
		NHB35P..PEARL JASMINE WHITE	1	1	1	-	2V,4V		
	64301-KZL-930ZV	*YR303M* MAHOGANY BROWN METALLIC	1	1	1	-	2V,4V,5V		
	64301-KZL-930ZW	*R340C*.....CANDY ROSY RED	1	1	-	-	2V,4V		
	64301-KZL-930ZY	*NHA69P* PEARL MAGELLANIC BLACK	1	1	-	-			
	64301-KZL-930YA	*B206M*...VITAL BLUE METALLIC	1	-	-	-			
	64301-KZL-930ZU	*Y192C*CANDY MOON GLOW YELLOW	1	-	-	-			
	64301-KZL-930YG	*R350C*.....CANDY NOBLE RED	-	1	1	-	2V,5V,V		
	64301-KZL-930YH	*PB390M*EXALTED BLUE METALLIC	-	-	1	-	2V		

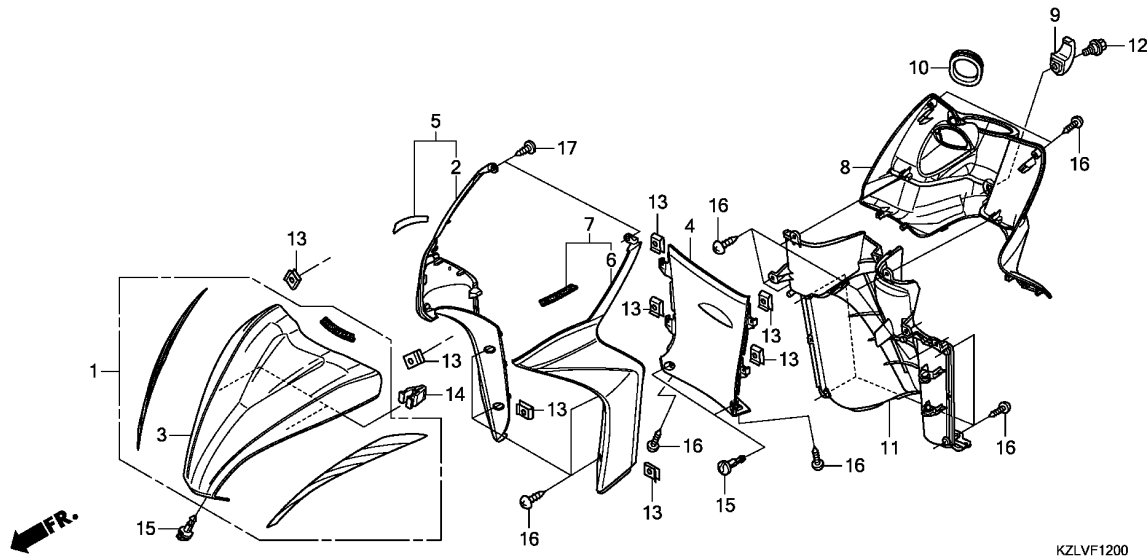


KZLVF1200

Ref. No.	Part No.	Description	Reqd. QTY					Serial No.	Parts catalogue code
			NSC110	CBF	CSF	C	D		
(2)	64301-KZL-930YK	COVER, R. FR. SIDE *NHB25M*	-	-	-	1			
		POSEIDON BLACK METALLIC	-	-	-	1			
	64301-KZL-930YJ	*NH411M*FORCE SILVER METALLIC	-	-	-	1	-----	V	
3	64302-KZL-E00ZL	COVER, FR. *NHB35P*..PEARL JASMINE WHITE	1	1	1		-----	2V,4V	
	64302-KZL-E00ZJ	*YR303M*							
		MAHOGANY BROWN METALLIC	1	1	1		-----	2V,4V,5V	
	64302-KZL-E00ZK	*R340C*.....CANDY ROSY RED	1	1	-		-----	2V,4V	
	64302-KZL-E00ZM	*NHA69P*							
		PEARL MAGELLANIC BLACK	1	1	-				
	64302-KZL-E00ZH	*Y192C*CANDY MOON GLOW YELLOW	1	-	-				
	64302-KZL-E00ZN	*B206M*...VITAL BLUE METALLIC	1	-	-				
	64302-KZL-E00ZS	*R350C*.....CANDY NOBLE RED	-	1	1		-----	2V,5V,V	
	64302-KZL-E00ZT	*PB390M*EXALTED BLUE METALLIC	-	-	1		-----	2V	
	64302-KZL-E00ZV	*NHB25M*							
		POSEIDON BLACK METALLIC	-	-	-	1			
	64302-KZL-E00ZU	*NH411M*FORCE SILVER METALLIC	-	-	-	1	-----	V	
4	64308-KZL-930ZA	COVER, FR. LOWER *NH1*.....BLACK	1	1	1				
5	64350-KZL-E00ZC	COVER SET, R. FR. SIDE(WL) *TYPE4*	1	1	-		-----	2V,4V	
	64350-KZL-E00ZD	*TYPE3*	1	1	-		-----	2V,4V	
	64350-KZL-E00ZE	*TYPE2*	1	1	-		-----	2V,4V	
	64350-KZL-E00ZF	*TYPE1*	1	1	-		-----	2V,4V	
	64350-KZL-E00ZA	*TYPE6*	1	-	-				
	64350-KZL-E00ZB	*TYPE5*	1	-	-				
	64350-KZL-E60ZB	*TYPE2*	-	1	-		-----	5V	
	64350-KZL-E60ZC	*TYPE1*	-	1	-		-----	5V	

Ref. No.	Part No.	Description	Reqd. QTY			Serial No.	Parts catalogue code
			NSC110				
			CBF	D	CSF		
C	D	E					
(5)	64350-KZL-E60ZD	COVER SET, R. FR. SIDE(WL)					
		TYPE3 1.....	-	1	-	-----	5V
	64350-KZL-E80ZA	*TYPE5*.....	-	-	1	-----	2V
	64350-KZL-E80ZB	*TYPE4*.....	-	-	1	-----	2V
	64350-KZL-E80ZC	*TYPE3*.....	-	-	1	-----	2V
	64350-KZL-E80ZD	*TYPE2*.....	-	-	1	-----	2V
	64350-KZL-E80ZE	*TYPE1*.....	-	-	1	-----	2V
	64350-KZL-E70ZA	*TYPE3*.....	-	-	1	-----	V
	64350-KZL-E70ZB	*TYPE2*.....	-	-	1	-----	V
	64350-KZL-E70ZC	*TYPE1*.....	-	-	1	-----	V
6	64401-KZL-930ZX	COVER, L. FR. SIDE					
		NHB35P..PEARL JASMINE WHITE	1	1	1	-----	2V,4V
	64401-KZL-930ZV	*YR303M*					
		MAHOGANY BROWN METALLIC	1	1	1	-----	2V,4V,5V
	64401-KZL-930ZW	*R340C*.....CANDY ROSY RED	1	1	-	-----	2V,4V
	64401-KZL-930ZY	*NHA69P*					
		PEARL MAGELLANIC BLACK	1	1	-	-----	
	64401-KZL-930YA	*B206M*...VITAL BLUE METALLIC	1	-	-	-----	
	64401-KZL-930ZU	*Y192C*CANDY MOON GLOW YELLOW	1	-	-	-----	
	64401-KZL-930YG	*R350C*.....CANDY NOBLE RED	-	1	1	-----	2V,5V,V
	64401-KZL-930YH	*PB390M*EXALTED BLUE METALLIC	-	-	1	-----	2V
	64401-KZL-930YK	*NHB25M*					
		POSEIDON BLACK METALLIC	-	-	1	-----	
	64401-KZL-930YJ	*NH411M*FORCE SILVER METALLIC	-	-	1	-----	V
7	64450-KZL-E00ZC	COVER SET, L. FR. SIDE(WL)					
		TYPE4.....	1	1	-	-----	2V,4V
	64450-KZL-E00ZD	*TYPE3*.....	1	1	-	-----	2V,4V
	64450-KZL-E00ZE	*TYPE2*.....	1	1	-	-----	2V,4V
	64450-KZL-E00ZF	*TYPE1*.....	1	1	-	-----	2V,4V
	64450-KZL-E00ZA	*TYPE6*.....	1	-	-	-----	
	64450-KZL-E00ZB	*TYPE5*.....	1	-	-	-----	
	64450-KZL-E60ZB	*TYPE2*.....	-	1	-	-----	5V
	64450-KZL-E60ZC	*TYPE1*.....	-	1	-	-----	5V
	64450-KZL-E60ZD	*TYPE3 1*.....	-	1	-	-----	5V
	64450-KZL-E80ZA	*TYPE5*.....	-	-	1	-----	2V
	64450-KZL-E80ZB	*TYPE4*.....	-	-	1	-----	2V
	64450-KZL-E80ZC	*TYPE3*.....	-	-	1	-----	2V
	64450-KZL-E80ZD	*TYPE2*.....	-	-	1	-----	2V
	64450-KZL-E80ZE	*TYPE1*.....	-	-	1	-----	2V
	64450-KZL-E70ZA	*TYPE3*.....	-	-	1	-----	V
	64450-KZL-E70ZB	*TYPE2*.....	-	-	1	-----	V
	64450-KZL-E70ZC	*TYPE1*.....	-	-	1	-----	V
8	81131-KZL-E00ZA	COVER, INNER UPPER					
		*NH411M*FORCE SILVER METALLIC	1	1	-	-----	2V,4V
	81131-KZL-E00ZB	*YR303M*					
		MAHOGANY BROWN METALLIC	-	1	1	-----	2V,5V
	81131-KZL-E00ZC	*R350C*.....CANDY NOBLE RED	-	1	1	-----	2V,5V
	81131-KZL-E00ZD	*NHA69P*					
		PEARL MAGELLANIC BLACK	-	1	-	-----	5V
	81131-KZL-E00ZF	*PB390M*EXALTED BLUE METALLIC	-	-	1	-----	2V
	81131-KZL-E00ZG	*NHB35P*..PEARL JASMINE WHITE	-	-	1	-----	2V
	81131-KZL-E00ZH	*NHB25M*					
		POSEIDON BLACK METALLIC	-	-	1	-----	2V
	81131-KZL-E00ZE	*NHA62M*					
		MAGNETITE SILVER METALLIC	-	-	1	-----	V
9	81132-GAH-000ZW	HOOK, LUGGAGE					
		NH1.....BLACK	1	1	1		





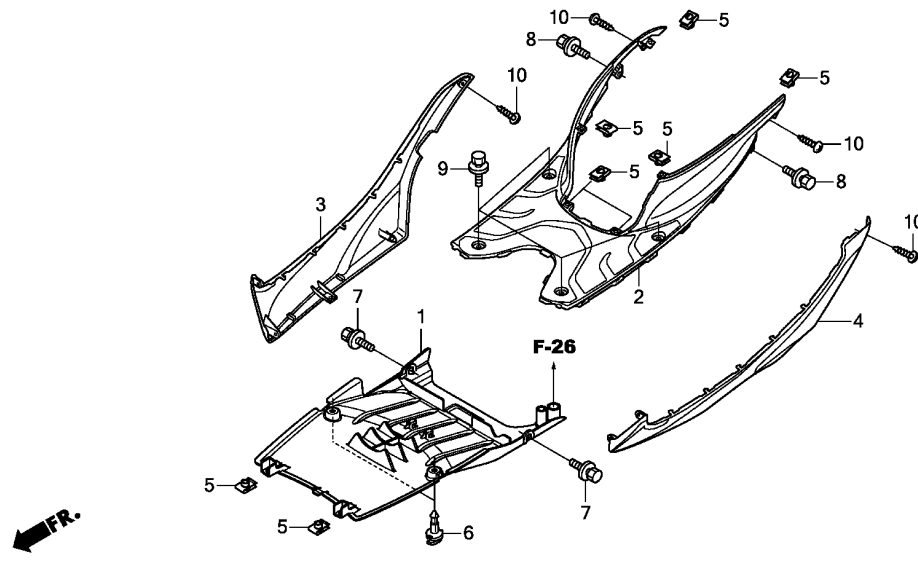
KZLVF1200

Ref. No.	Part No.	Description	Reqd. QTY			Serial No.	Parts catalogue code
			NSC110	CBF	CSF		
			C	D	E		
10	81133-GFH-920	COVER, COMBINATION & LOCK SWITCH	1	1	1		
11	81141-KZL-930ZA	COVER, INNER LOWER	1	1	1		
		NH1.....BLACK	1	1	1		
	81141-KZL-930ZD	*YR321R*.....MACCHIATO BEIGE R	-	-	1	-----	2V
12	90107-KVB-900	BOLT, SPECIAL, 6MM	1	1	1		
13	90302-KWW-A00	NUT, SPRING, 4MM	8	8	8		
14	90666-SDA-A01	CLIP, SNAP FITTING(PO)	2	2	2		
		(NATURAL)	3	3	3		
15	90683-GAZ-003	CLIP, TRIM	3	3	3		
16	93903-34480	SCREW, TAPPING, 4X16	19	19	19		
17	93903-35220	SCREW, TAPPING, 5X12	2	2	2		

F-14

FLOOR STEP

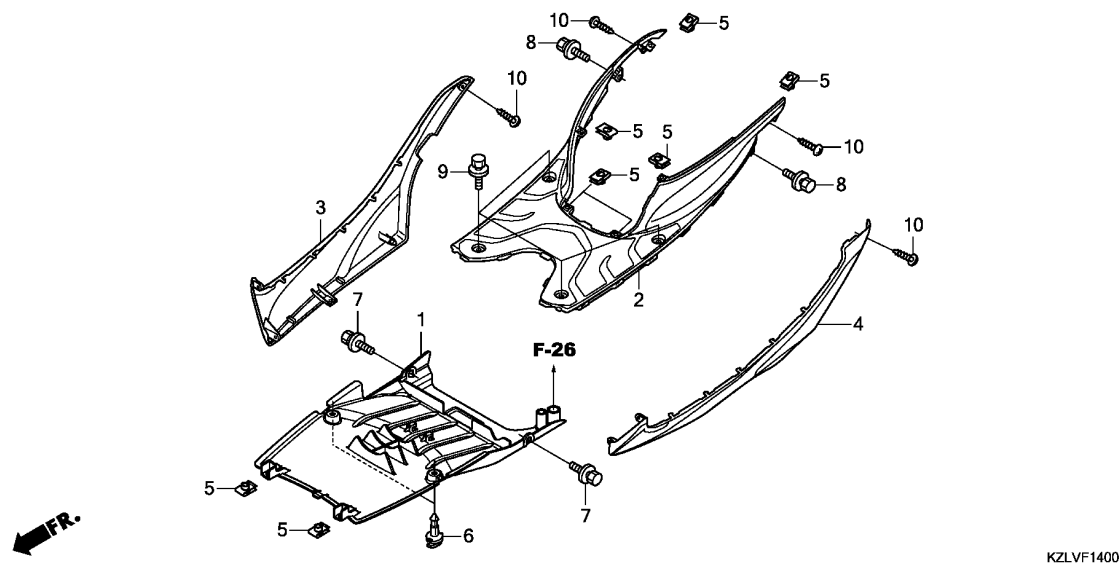
F16



KZLVF1400

Ref. No.	L.O.N.	(Relative ref. Number) Description	F.R.T.
1	4131B4	COVER, UNDER	0.2
2	4131D2	STEP, FLOOR	0.7
3	4131J6	COVER, FLOOR SIDE :RIGHT	0.1
4	4131J5	COVER, FLOOR SIDE :LEFT	0.1
	4131X0	COVER, FLOOR SIDE :BOTH	0.2

Ref. No.	Part No.	Description	Reqd. QTY			Serial No.	Parts catalogue code
			NSC110	CBF	CSF		
			C	D	E		
1	50611-KZL-A00ZC	COVER, UNDER *NH1*.....BLACK	1	1	1		
2	64310-KZL-930ZA	STEP, FLOOR *NH1*.....BLACK	1	1	1		
	64310-KZL-930ZD	*YR321R*....MACCHIATO BEIGE R	-	-	1	-----	2V
3	83520-KZL-E00ZA	COVER, R. FLOOR SIDE *NH411M*FORCE SILVER METALLIC	1	1	-	-----	2V,4V
	83520-KZL-E00ZB	*YR303M* MAHOGANY BROWN METALLIC	-	1	1	-----	2V,5V
	83520-KZL-E00ZC	*R350C*.....CANDY NOBLE RED	-	1	1	-----	2V,5V
	83520-KZL-E00ZD	*NHA69P* PEARL MAGELLANIC BLACK	-	1	-	-----	5V
	83520-KZL-E00ZF	*PB390M*EXALTED BLUE METALLIC	-	-	1	-----	2V
	83520-KZL-E00ZG	*NHB35P*..PEARL JASMINE WHITE	-	-	1	-----	2V
	83520-KZL-E00ZH	*NHB25M* POSEIDON BLACK METALLIC	-	-	1	-----	2V
	83520-KZL-E00ZE	*NHA62M* MAGNETITE SILVER METALLIC	-	-	1	-----	V
4	83620-KZL-E00ZA	COVER, L. FLOOR SIDE *NH411M*FORCE SILVER METALLIC	1	1	-	-----	2V,4V
	83620-KZL-E00ZB	*YR303M* MAHOGANY BROWN METALLIC	-	1	1	-----	2V,5V
	83620-KZL-E00ZC	*R350C*.....CANDY NOBLE RED	-	1	1	-----	2V,5V
	83620-KZL-E00ZD	*NHA69P* PEARL MAGELLANIC BLACK	-	1	-	-----	5V
	83620-KZL-E00ZF	*PB390M*EXALTED BLUE METALLIC	-	-	1	-----	2V
	83620-KZL-E00ZG	*NHB35P*..PEARL JASMINE WHITE	-	-	1	-----	2V
	83620-KZL-E00ZH	*NHB25M* POSEIDON BLACK METALLIC	-	-	1	-----	2V

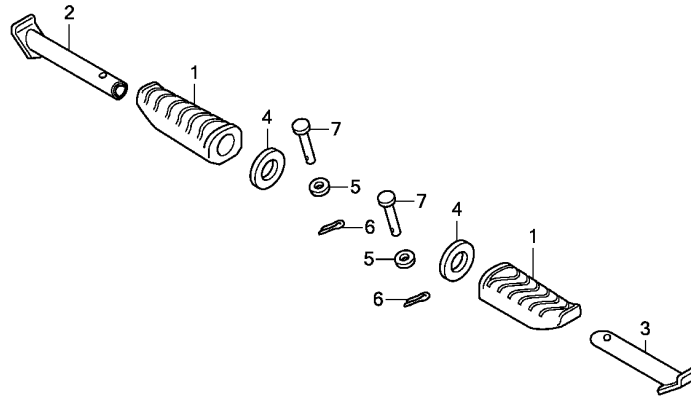


Ref. No.	Part No.	Description	Reqd. QTY			Serial No.	Parts catalogue code
			NSC110	CBF	CSF		
			C	D	E		
(4)	83620-KZL-E00ZE	COVER, L. FLOOR SIDE *NHA62M*	-	-	1	-----	V
5	90302-KWW-A00	MAGNETITE SILVER METALLIC NUT, SPRING, 4MM	8	8	8		
6	90683-GAZ-003	CLIP, TRIM	2	2	2		
7	93401-06012-08	BOLT-WASHER, 6X12	2	2	2		
8	93404-06012-00	BOLT-WASHER, 6X12	2	2	2		
9	93404-06020-07	BOLT-WASHER, 6X20	4	4	4		
10	93903-34480	SCREW, TAPPING, 4X16	4	4	4		

F-14-10

PILLION STEP

G 2



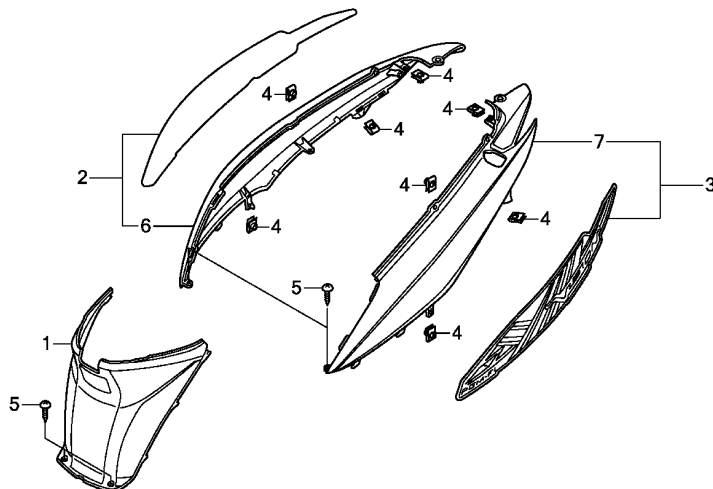
FR.

KZLVF1410

Ref. No.	L.O.N.	(Relative ref. Number) Description	F.R.T.
2		(1)	
4101C8		BAR, PILLION STEP :RIGHT	0.1
3		(1)	
4101C7		BAR, PILLION STEP :LEFT	0.1
4101P4		BAR, PILLION STEP :BOTH	0.2

Ref. No.	Part No.	Description	Reqd. QTY			Serial No.	Parts catalogue code
			NSC110				
			CBF	CSF	E		
1	50710-KWB-600	RUBBER, PILLION STEP	2	2	2		
2	50711-KBP-900	BAR, R. PILLION STEP	1	1	1		
3	50712-KBP-900	BAR, L. PILLION STEP	1	1	1		
4	50715-KE8-000	PLATE, PILLION STEP SIDE	2	2	2		
5	94101-06000	WASHER, PLAIN, 6MM	2	2	2		
6	94201-16150	PIN, SPLIT, 1.6X15	2	2	2		
7	95015-81000	PIN A, PILLION STEP	2	2	2		

3



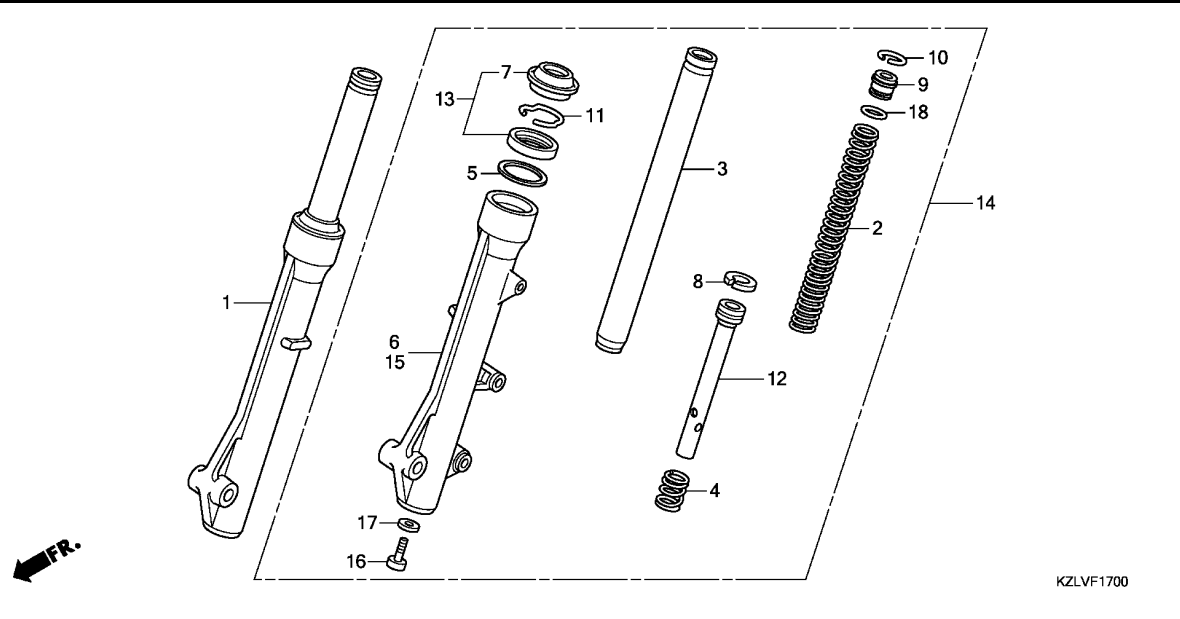
Ref. No.	L.O.N.	(Relative ref. Number) Description	F.R.T.
1	4131R6	COVER, BODY :CENTER (6)	0.1
2	4131J0	COVER, BODY :RIGHT (7)	0.7
3	4131H9	COVER, BODY :LEFT	0.7
	4131J1	COVER, BODY :BOTH	0.7

KZLVF1500

Ref. No.	Part No.	Description	Reqd. QTY			Serial No.	Parts catalogue code
			NSC110	CBF	CSF		
			C	D	E		
1	80151-KZL-930ZA	COVER, CENTER					
		NH1.....BLACK	1	1	1		
	80151-KZL-930ZE	*YR321R*....MACCHIATO BEIGE R	-	-	1	-----	----- 2V
2	83505-KZL-E00ZC	COVER SET, R. BODY(WL)					
		TYPE4	1	1	-	-----	----- 2V,4V
	83505-KZL-E00ZD	*TYPE3*	1	1	-	-----	----- 2V,4V
	83505-KZL-E00ZE	*TYPE2*	1	1	-	-----	----- 2V,4V
	83505-KZL-E00ZF	*TYPE1*	1	1	-	-----	----- 2V,4V
	83505-KZL-E00ZA	*TYPE6*	1	-	-	-----	-----
	83505-KZL-E00ZB	*TYPE5*	1	-	-	-----	-----
	83505-KZL-E60ZA	*TYPE3*	-	1	-	-----	----- 5V
	83505-KZL-E60ZB	*TYPE1*	-	1	-	-----	----- 5V
	83505-KZL-E60ZC	*TYPE2*	-	1	-	-----	----- 5V
	83505-KZL-E80ZA	*TYPE5*	-	-	1	-----	----- 2V
	83505-KZL-E80ZB	*TYPE4*	-	-	1	-----	----- 2V
	83505-KZL-E80ZC	*TYPE3*	-	-	1	-----	----- 2V
	83505-KZL-E80ZD	*TYPE2*	-	-	1	-----	----- 2V
	83505-KZL-E80ZE	*TYPE1*	-	-	1	-----	----- 2V
	83505-KZL-E70ZA	*TYPE3*	-	-	1	-----	----- V
	83505-KZL-E70ZB	*TYPE2*	-	-	1	-----	----- V
	83505-KZL-E70ZC	*TYPE1*	-	-	1	-----	----- V
3	83605-KZL-E00ZC	COVER SET, L. BODY(WL)					
		TYPE4	1	1	-	-----	----- 2V,4V
	83605-KZL-E00ZD	*TYPE3*	1	1	-	-----	----- 2V,4V
	83605-KZL-E00ZE	*TYPE2*	1	1	-	-----	----- 2V,4V
	83605-KZL-E00ZF	*TYPE1*	1	1	-	-----	----- 2V,4V
	83605-KZL-E00ZA	*TYPE6*	1	-	-	-----	-----
	83605-KZL-E00ZB	*TYPE5*	1	-	-	-----	-----
	83605-KZL-E60ZA	*TYPE3*	-	1	-	-----	----- 5V

Ref. No.	Part No.	Description	Reqd. QTY			Serial No.	Parts catalogue code
			NSC110 CBF	CSF	E		
			C	D	E		
(3)	83605-KZL-E60ZB	COVER SET, L. BODY(WL)					
		TYPE1	-	1	-	-----	5V
	83605-KZL-E60ZC	*TYPE2*	-	1	-	-----	5V
	83605-KZL-E80ZA	*TYPE5*	-	-	1	-----	2V
	83605-KZL-E80ZB	*TYPE4*	-	-	1	-----	2V
	83605-KZL-E80ZC	*TYPE3*	-	-	1	-----	2V
	83605-KZL-E80ZD	*TYPE2*	-	-	1	-----	2V
	83605-KZL-E80ZE	*TYPE1*	-	-	1	-----	2V
	83605-KZL-E70ZA	*TYPE3*	-	-	1	-----	V
	83605-KZL-E70ZB	*TYPE2*	-	-	1	-----	V
	83605-KZL-E70ZC	*TYPE1*	-	-	1	-----	V
4	90302-KWW-A00	NUT, SPRING, 4MM	8	8	8		
5	93903-34480	SCREW, TAPPING, 4X16	4	4	4		
6	83500-KZL-930YD	COVER, R. BODY					
		NHB35P..PEARL JASMINE WHITE	1	1	1	-----	2V,4V
	83500-KZL-930YF	*YR303M*					
		MAHOGANY BROWN METALLIC	1	1	1	-----	2V,4V,5V
	83500-KZL-930YE	*R340C*.....CANDY ROSY RED	1	1	-	-----	2V,4V
	83500-KZL-930YC	*NHA69P*					
		PEARL MAGELLANIC BLACK	1	1	-		
	83500-KZL-930YB	*B206M*...VITAL BLUE METALLIC	1	-	-		
	83500-KZL-930YG	*Y192C*CANDY MOON GLOW YELLOW	1	-	-		
	83500-KZL-930YN	*R350C*.....CANDY NOBLE RED	-	1	1	-----	2V,5V,V
	83500-KZL-930YP	*PB390M*EXALTED BLUE METALLIC	-	-	1	-----	2V
	83500-KZL-930YR	*NHB25M*					
		POSEIDON BLACK METALLIC	-	-	1		
	83500-KZL-930YQ	*NH411M*FORCE SILVER METALLIC	-	-	1	-----	V
7	83600-KZL-930YC	COVER, L. BODY					
		NHB35P..PEARL JASMINE WHITE	1	1	1	-----	2V,4V
	83600-KZL-930YE	*YR303M*					
		MAHOGANY BROWN METALLIC	1	1	1	-----	2V,4V,5V
	83600-KZL-930YD	*R340C*.....CANDY ROSY RED	1	1	-	-----	2V,4V
	83600-KZL-930YB	*NHA69P*					
		PEARL MAGELLANIC BLACK	1	1	-		
	83600-KZL-930YA	*B206M*...VITAL BLUE METALLIC	1	-	-		
	83600-KZL-930YF	*Y192C*CANDY MOON GLOW YELLOW	1	-	-		
	83600-KZL-930YM	*R350C*.....CANDY NOBLE RED	-	1	1	-----	2V,5V,V
	83600-KZL-930YN	*PB390M*EXALTED BLUE METALLIC	-	-	1	-----	2V
	83600-KZL-930YQ	*NHB25M*					
		POSEIDON BLACK METALLIC	-	-	1		
	83600-KZL-930YP	*NH411M*FORCE SILVER METALLIC	-	-	1	-----	V



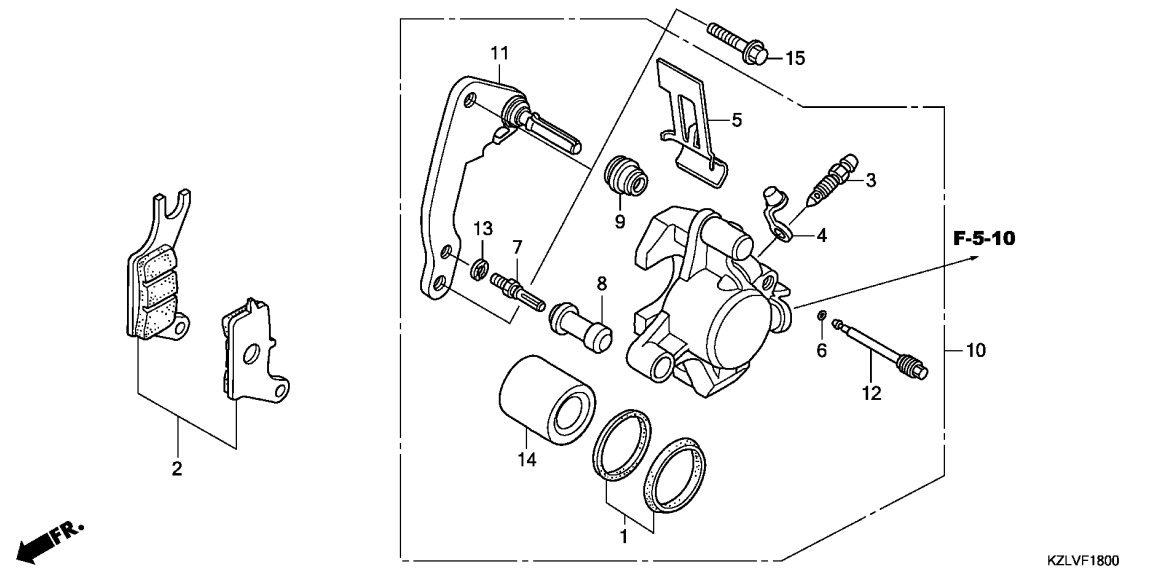


KZLVF1700

Ref. No.	L.O.N.	(Relative ref. Number) Description	F.R.T.
1	5111C3	FORK ASSY., FRONT :RIGHT	0.4
2	5111C5	SPRING, FRONT FORK :LEFT	0.6
	5111C6	SPRING, FRONT FORK :RIGHT	0.6
	5111C7	SPRING, FRONT FORK :BOTH	0.9
3		(4,8,12)	
	5111G2	PIPE, FRONT FORK :LEFT	0.8
	5111G3	PIPE, FRONT FORK :RIGHT	0.8
	5111G4	PIPE, FRONT FORK :BOTH	1.3
6	5111D2	CASE, BOTTOM :RIGHT	0.9
13	5111E7	SEAL SET, FRONT FORK :LEFT ...	0.9
	5111E8	SEAL SET, FRONT FORK :RIGHT ..	0.9
	5111E9	SEAL SET, FRONT FORK :BOTH ...	1.5
14	5111C2	FORK ASSY., FRONT :LEFT	0.4
	5111C4	FORK ASSY., FRONT :BOTH	0.5
15	5111D1	CASE, BOTTOM :LEFT	0.9
	5111D3	CASE, BOTTOM :BOTH	1.5

3

Ref. No.	Part No.	Description	Reqd. QTY			Serial No.	Parts catalogue code
			NSC110				
			CBF	CSF			
			C	D	E		
1	51400-KZL-E01	FORK ASSY., R. FR.	1	1	1		
2	51401-KZL-E01	SPRING, FR. FORK	2	2	2		
3	51410-KWW-641	PIPE COMP., FR. FORK(SHOWA) -	2	2	2		
4	51412-GN5-901	SPRING, REBOUND(SHOWA)	2	2	2		
5	51412-KWB-601	RING, BACK UP	2	2	2		
6	51420-KZL-E01	CASE COMP., R. BOTTOM	1	1	1		
7	51425-GN5-901	SEAL, DUST(SHOWA)	2	2	2		
8	51437-KWB-601	RING, PISTON	2	2	2		
9	51454-KEV-881	SEAT B, SPRING	2	2	2		
10	51456-KPH-901	RING, STOPPER	2	2	2		
11	51466-065-901	RING, OIL SEAL STOPPER(SHOWA)	2	2	2		
12	51470-KWW-A01	PIPE, SEAT	2	2	2		
13	51490-KGH-901	SEAL SET, FR. FORK(SHOWA) ...	2	2	2		
14	51500-KZL-E01	FORK ASSY., L. FR.	1	1	1		
15	51520-KZL-E01	CASE COMP., L. BOTTOM	1	1	1		
16	90116-KV3-701	BOLT, SOCKET, 8MM(SHOWA)	2	2	2		
17	90544-283-000	WASHER, SPECIAL, 8MM(SHOWA) -	2	2	2		
18	91356-GM0-003	O-RING, 15.8X2.4(SHOWA)	2	2	2		



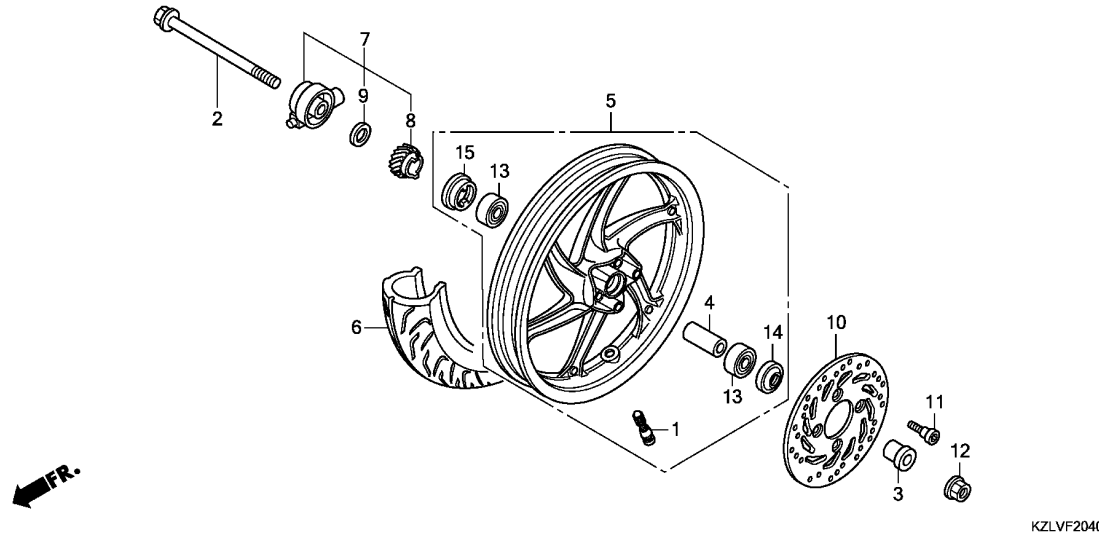
Ref. No.	L.O.N.	(Relative ref. Number) Description	F.R.T.
2	711115	SHOE(PAD) SET, BRAKE :FRONT ..	0.1
10	711130	CALIPER, FRONT BRAKEINCLUDES: Bleed brakes	0.5
11	7111G0	BRACKET, FRONT CALIPER	0.2
14	7111D1	PISTON, FRONT BRAKE CALIPER .. .INCLUDES: Bleed brakes	0.6

Ref. No.	Part No.	Description	Reqd. QTY			Serial No.	Parts catalogue code
			NSC110				
			CBF	CSF			
			C	D	E		
1	06451-961-405	SEAL SET, PISTON	1	1	1		
2	06455-KVB-T01	PAD SET, FR. BRAKE	1	1	1		
3	43352-568-003	SCREW, BLEEDER(NISSIN)	1	1	1		
4	43353-461-771	CAP, BLEEDER	1	1	1		
5	45108-KVB-T01	SPRING, PAD	1	1	1		
6	45111-MAJ-G41	RING, STOPPER	1	1	1		
7	45131-GZ0-006	BOLT, PIN	1	1	1		
8	45132-166-016	BOOT, PIN BUSH(NISSIN)	1	1	1		
9	45133-MA3-006	BOOT B	1	1	1		
10	45150-KZL-A01	CALIPER SUB ASSY., L. FR. (NISSIN)	1	1	1		
11	45190-KZL-A01	BRACKET SUB ASSY., FR. CALIPER	1	1	1		
12	45215-KPH-951	PIN, HANGER	1	1	1		
13	45216-166-006	WASHER, WAVE	1	1	1		
14	45218-KWB-601	PISTON	1	1	1		
15	90131-KGH-900	BOLT, FLANGE, 8X25	2	2	2		

F-20-40

FRONT WHEEL

G 7



Ref. No.	L.O.N.	(Relative ref. Number) Description	F.R.T.
2		(14)	
710151		AXLE, FRONT WHEEL	0.2
7101D4		FRONT WHEEL	0.6
710139		FRONT TIRE(ONE)	0.5
710145		GEARBOX ASSY., SPEEDOMETER ...	0.2
711120		DISC, FRONT BRAKE	0.3
710115		BEARING, FRONT WHEEL(ONE)	0.4
710115G		.Replace 1 bearing add	0.1

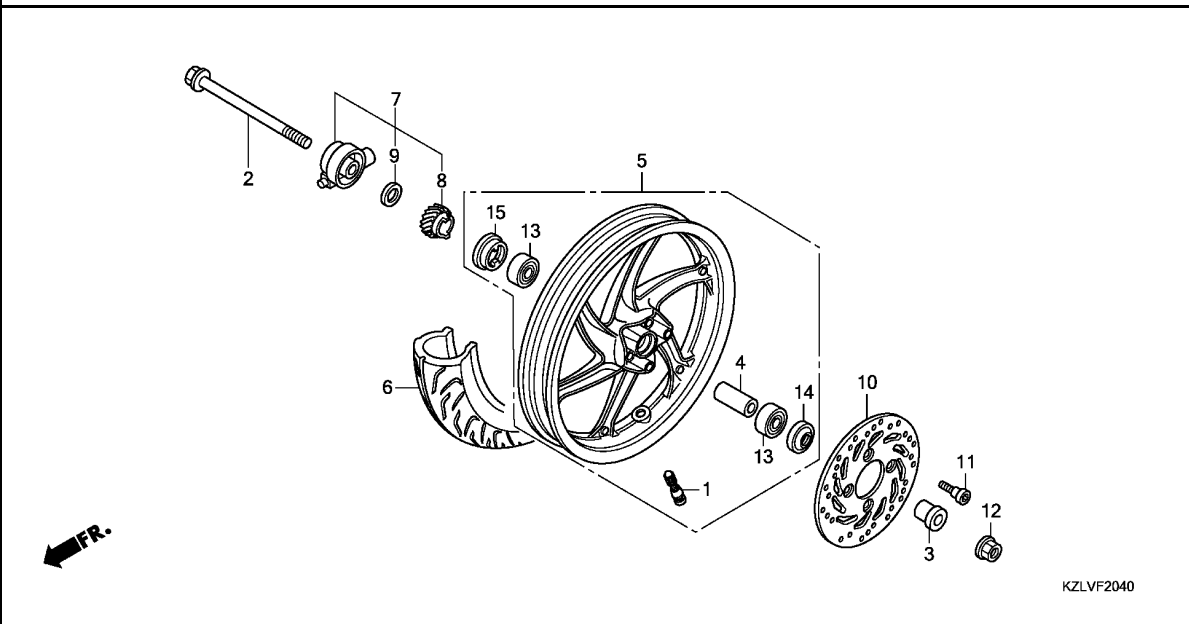
Ref. No.	Part No.	Description	Reqd. QTY			Serial No.	Parts catalogue code
			NSC110	CBF	CSF		
			C	D	E		
1	42753-KBN-902	VALVE, RIM(CHENG SHIN)	1	1	1		
2	44301-KVG-950	AXLE, FR. WHEEL	1	1	1		
3	44311-KVB-910	COLLAR, FR. WHEEL SIDE	1	1	1		
4	44620-KVB-910	COLLAR, FR. DISTANCE	1	1	1		
5	44650-KZL-E00ZA	WHEEL SUB ASSY., FR. *NH303M*	1	1	-	-----	2V,4V
	44650-KZL-E00ZB	*NH146M* MAT AXIS GRAY METALLIC	1	1	-	-----	2V,5V
	44650-KZL-E00ZA	*NH303M* ACCURATE SILVER METALLIC	-	1	1	-----	2V,5V
	44650-KZL-E00ZA	*NH303M* MAT AXIS GRAY METALLIC	-	-	1	-----	V
6	44711-KZL-E01	TIRE, FR.(CST) (80/90-14 M/C 40P)	1	1	-		
	44711-KZL-731	TIRE, FR.(CHENG SHIN) (80/90-14 M/C 40P)	-	-	1		
7	44800-KVB-910	BOX ASSY., SPEEDOMETER GEAR	1	1	1		
8	44806-KVB-911	GEAR, SPEEDOMETER(21T)	1	1	1		
9	44809-KFM-900	WASHER, SPEEDOMETER GEAR	1	1	1		
10	45351-KVB-961	DISK, FR. BRAKE(NISSIN)	1	1	1		
	45351-KVB-S01	DISK, FR. BRAKE(NHK PRECISION)	1	1	1		
	45351-KVB-S02	DISK, FR. BRAKE(SUNSTAR)	1	1	1		
11	90105-KGH-900	BOLT, BRAKE DISK, 8X24	4	4	4		
12	90306-KGH-901	NUT, U, 12MM(FUJI SEIMITSU) -	1	1	1		
13	91052-KVB-901	BEARING, RADIAL BALL, 6201(U) (FUJIKOSHI)	2	2	2		
	91052-KVB-902	BEARING, RADIAL BALL, 6201(U) (NTN)	2	2	2		

3

F-20-40

FRONT WHEEL

G 8



Ref. No.	Part No.	Description	Reqd. QTY			Serial No.	Parts catalogue code
			NSC110	CBF	CSF		
			C	D	E		

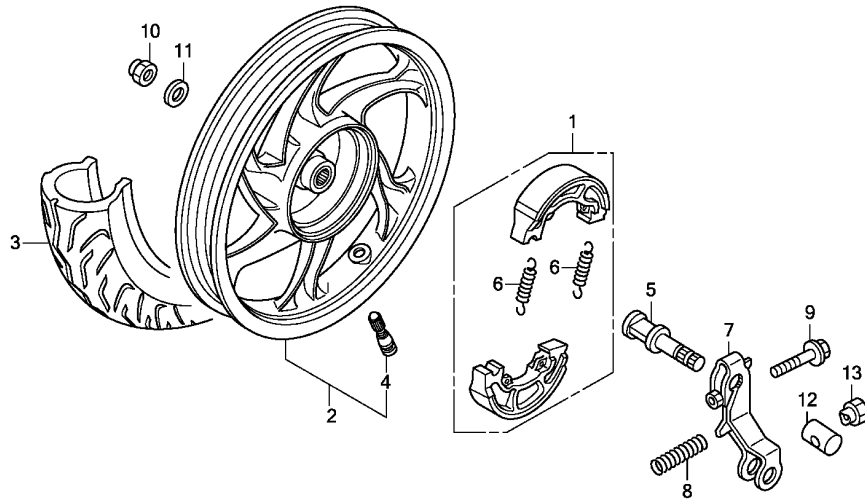
13)	91052-KVB-S51	BEARING, RADIAL BALL, 6201U (NSK)	2	2	2		
	14	91251-KPH-901 DUST SEAL, 21X37X7 (ARAI)	1	1	1		
	15	91258-KM1-004 SEAL, SPEEDOMETER GEAR BOX (NOK)	1	1	1		

3

F-22-30

REAR WHEEL

G 9

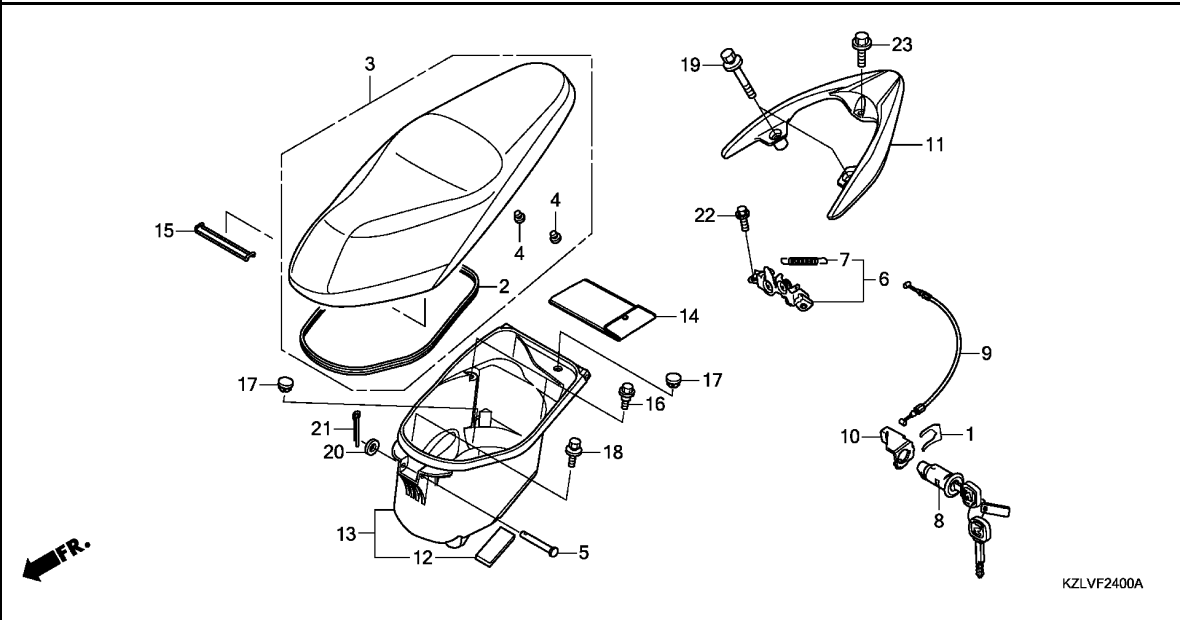


KZLVF2230

Ref. No.	L.O.N.	(Relative ref. Number) Description	F.R.T.
1	711140	SHOE(PAD) SET, BRAKE :REAR ...	0.4
2	710118	REAR WHEEL	0.6
3	710142	REAR TIRE(ONE)	0.6
5	7111B4	CAM, BRAKE :REAR	0.5
7	7111C4	ARM, BRAKE :REAR	0.5

3

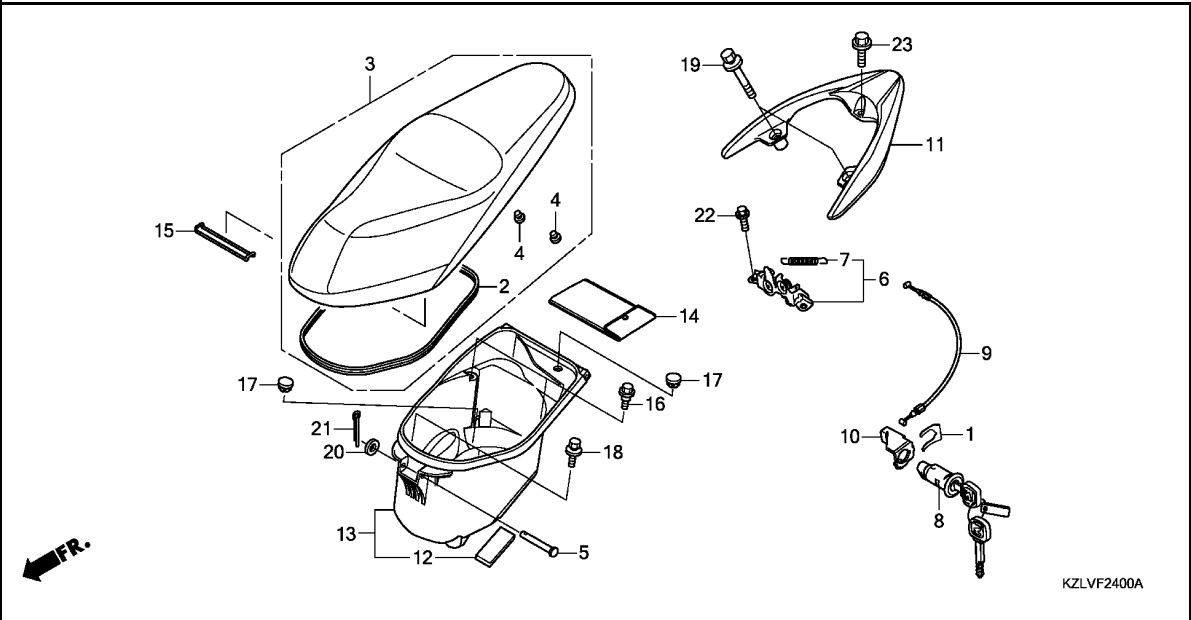
Ref. No.	Part No.	Description	Reqd. QTY			Serial No.	Parts catalogue code
			NSC110	CBF	CSF		
			C	D	E		
1	06430-KWN-900	SHOE SET, BRAKE(JB)	1	1	1		
2	42650-KZL-E00ZA	WHEEL SUB ASSY., RR. *NH303M*					
	42650-KZL-E00ZB	MAT AXIS GRAY METALLIC *NH146M*	1	1	-	----- 2V,4V	
	42650-KZL-E00ZA	ACCURATE SILVER METALLIC *NH303M*	-	1	1	----- 2V,5V	
	42650-KZL-E00ZA	MAT AXIS GRAY METALLIC *NH303M*	-	-	1	----- V	
3	42711-KZL-E01	TIRE, RR.(CST) (90/90-14 M/C 46P)	1	1	-		
	42711-KZL-731	TIRE, RR.(CHENG SHIN) (90/90-14 M/C 46P)	-	-	1		
4	42753-KBN-902	VALVE, RIM(CHENG SHIN)	1	1	1		
5	43141-KWN-930	CAM, RR. BRAKE	1	1	1		
6	43151-329-000	SPRING, BRAKE SHOE	2	2	2		
7	43410-KVB-900	ARM, RR. BRAKE	1	1	1		
8	43472-KVB-900	SPRING, RR. BRAKE ARM	1	1	1		
9	90112-KVB-900	BOLT, FLANGE, 6X32	1	1	1		
10	90305-KVB-901	NUT, U, 16MM	1	1	1		
11	90501-KBN-900	WASHER, 16MM	1	1	1		
12	95015-32001	JOINT B, BRAKE ARM	1	1	1		
13	95015-42000	NUT B, BRAKE ROD ADJUSTING ..	1	1	1		



Ref. No.	L.O.N.	(Relative ref. Number) Description	F.R.T.
3	4131E4	SEAT :DOUBLE	0.2
6	4131E8	CATCH, SEAT :REAR SIDE	0.6
8	4131F2	KEY, SEAT LOCK	0.8
9	811175	CABLE, SEAT LOCK	0.8
11	4131F6	RAIL, GRAB :REAR	0.1
13	412102	BOX, LUGGAGE	0.2

Ref. No.	Part No.	Description	Reqd. QTY			Serial No.	Parts catalogue code
			NSC110				
			CBF	CSF			
			C	D	E		
1	75581-GN8-920	SPRING, LOCK KEY SETTING	1	1	1		
2	77115-KZL-930	RUBBER, SEAL	1	1	1		
3	77200-KZL-E00	SEAT COMP., DOUBLE	1	-	-		
	77200-KZL-E10	-	1	-		
	77200-KZL-E70ZA	*TYPE2*.....	-	-	1	-----	2V
	77200-KZL-E70ZB	*TYPE1*.....	-	-	1		
4	77215-KW7-900	RUBBER C, SEAT SETTING	2	2	2		
5	77215-KZL-930	PIN, SEAT HINGE	1	1	1		
6	77230-KZL-930	CATCH COMP., SEAT	1	1	1		
7	77234-GN2-000	SPRING, SEAT LOCK	1	1	1		
8	77239-KZL-A01	KEY, SEAT LOCK	1	1	1		
9	77240-KZL-930	CABLE, SEAT LOCK	1	1	1		
10	77242-KZL-930	STAY, SEAT LOCK CABLE	1	1	1		
11	81200-KZL-A00ZE	GRIP, RR. *NH411M*FORCE SILVER METALLIC	1	1	1		
12	81251-KZL-930	MAT, LUGGAGE BOX	1	1	1		
13	81253-KZL-E00	BOX ASSY., LUGGAGE	1	-	-		
	81253-KZL-E10	-	1	1		
14	83642-171-000	BAG, OWNERS MANUAL	1	1	1		
15	89012-KZL-930	BAND, TOOL	1	1	1		
16	90111-162-000	BOLT, FLANGE, 6MM	2	2	2		
17	90656-GCC-000ZC	PLUG, HOLE *NH1*.....BLACK	2	2	2		
18	93404-06010-00	BOLT-WASHER, 6X10	2	2	2		
19	93406-08040-00	BOLT-WASHER, 8X40	2	2	2		
20	94101-08000	WASHER, PLAIN, 8MM	1	1	1		

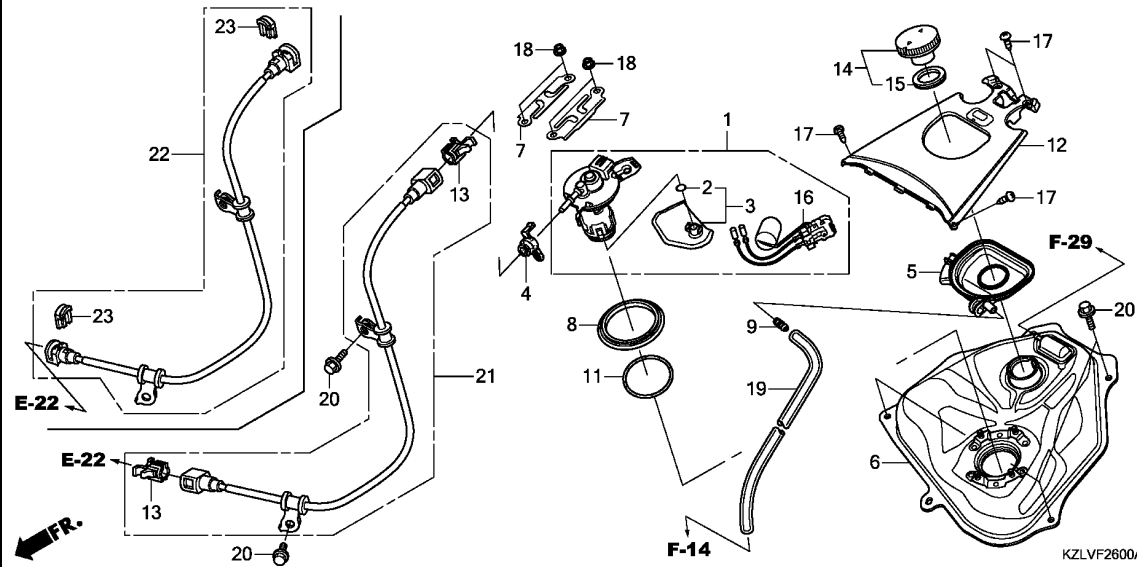




Ref. No.	Part No.	Description	Reqd. QTY			Serial No.	Parts catalogue code
			NSC110				
			CBF	D	CSF		
			C	D	E		

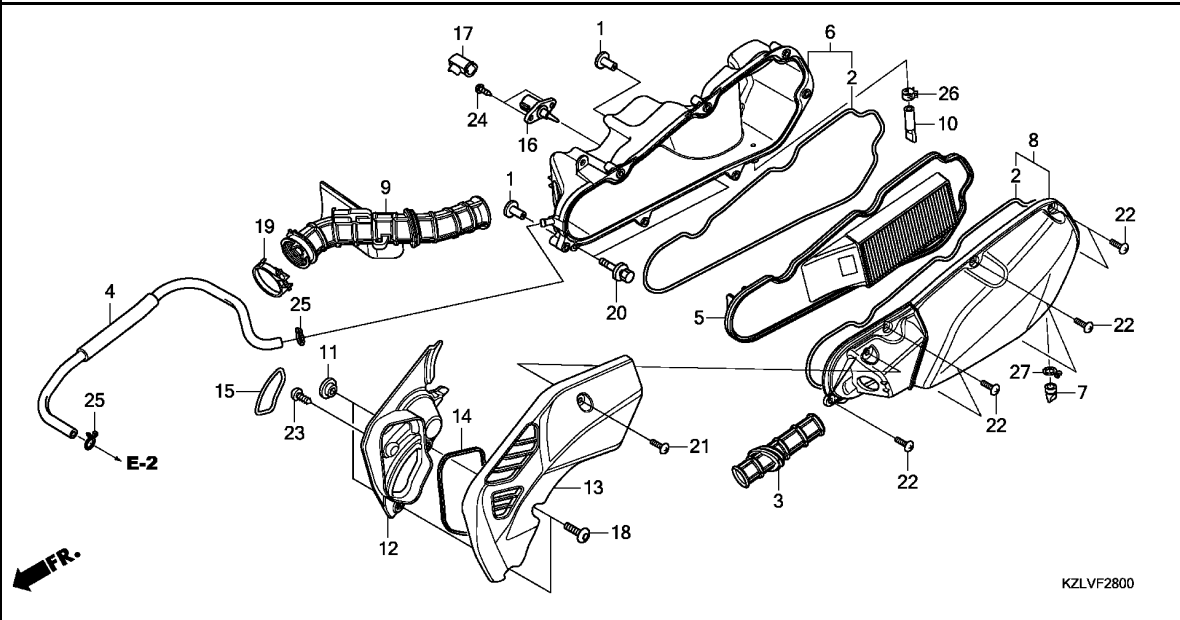
21	94201-16180	PIN, SPLIT, 1.6X18	1	1	1		
22	95701-06012-00	BOLT, FLANGE, 6X12	2	2	2		
23	95701-08022-00	BOLT, FLANGE, 8X22	1	1	1		

3



Ref. No.	L.O.N.	(Relative ref. Number) Description	F.R.T.
1		(8,11)	
310120		PUMP ASSY., FUEL	0.5
3		(2)	
3101C7		FILTER, FUEL	0.6
6	310100	TANK, FUEL	0.9
16	617105	FUEL TANK SENDING UNIT	0.6
21		(22)	
310162		HOSE, FUEL FEED	0.4

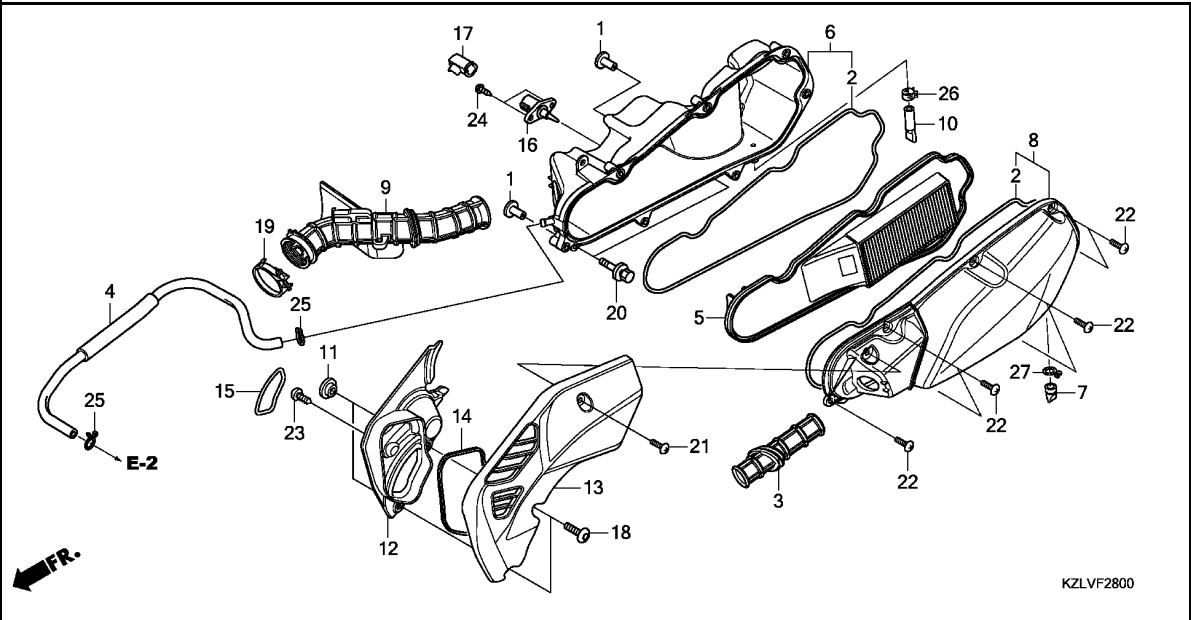
Ref. No.	Part No.	Description	Reqd. QTY			Serial No.	Parts catalogue code
			NSC110				
			CBF	CSF	E		
			C	D	E		
1	16700-KZL-931	PUMP UNIT, FUEL	1	1	1		
2	16706-GGL-J01	O-RING, 6.8X1.9	1	1	1		
3	16707-KZL-931	FILTER SET	1	1	1		
4	16718-KTW-900	DAMPER A, CONNECTOR	1	1	-		
5	17505-KZL-930	TRAY, FUEL	1	1	1		
6	17510-KZL-E10	TANK COMP., FUEL	1	1	-		
	17510-KZL-P80	-	-	1		
7	17517-GGL-J00	RETAINER, FUEL PUMP	2	2	2		
8	17518-GGL-J00	DUST SEAL	1	1	1		
9	17525-KBN-900	JOINT, FUEL TUBE	1	1	1		
11	17572-GGL-J00	O-RING, FUEL PUMP	1	1	1		
12	17575-KZL-A00	COVER, FUEL TANK	1	1	1		
13	17577-KSS-B31	RETAINER(GRAY)(TOKAI)	2	2	-		
14	17620-KVV-900	CAP COMP., FUEL FILLER	1	1	-		
	17620-K01-901	-	-	1		
15	17631-KEV-900	PACKING, FUEL FILLER CAP	1	1	-		
	17632-383-831	-	-	1		
16	37800-KZL-931	FUEL UNIT	1	1	1		
17	93903-34480	SCREW, TAPPING, 4X16	4	4	4		
18	94050-06000	NUT, FLANGE, 6MM	4	4	4		
19	95003-23081-31	TUBE, VINYL, 8X12X810	1	1	1		
	(95003-23001-60M)	1	1	1		
20	95701-06012-00	BOLT, FLANGE, 6X12	6	6	6		
21	17528-KZL-E01	HOSE COMP., FUEL FEED	1	1	-		
22	17528-KZL-E71	HOSE COMP., FUEL FEED	-	-	1		
23	17577-KYZ-711	CHECKER	-	-	2		



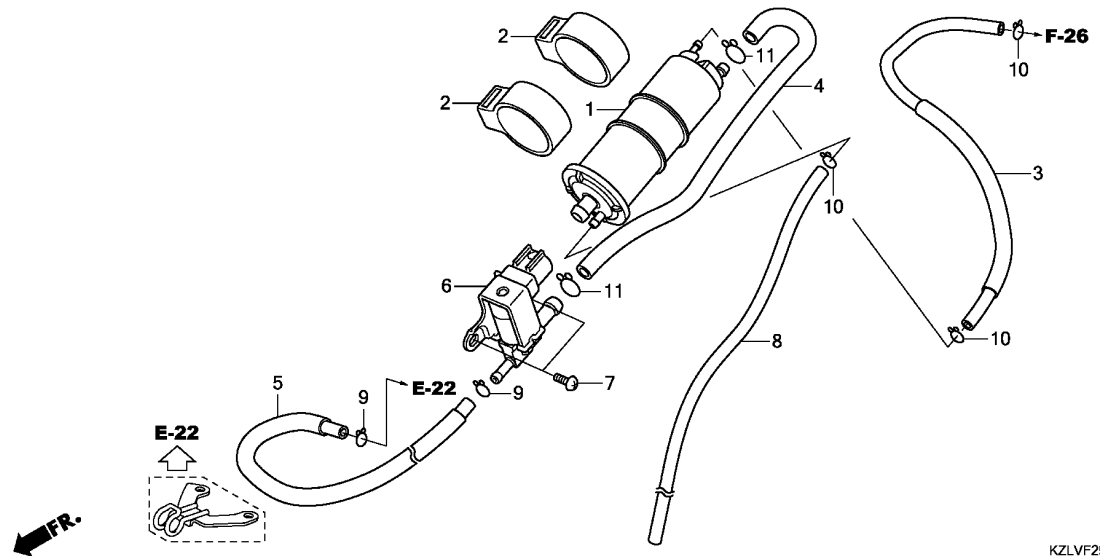
Ref. No.	L.O.N.	(Relative ref. Number) Description	F.R.T.
5		(2) ELEMENT, AIR CLEANER	0.2
6		3121A5 CASE, AIR CLEANER	0.5
8		(3) COVER, AIR CLEANER CASE	0.2
9		3121B6 TUBE, AIR CLEANER CONNECTING ..	0.5
13		(12,14,15) DUCT, BELT COVER	0.1
16		1101H4 DUCT, BELT COVER	0.1
		617120 SENSOR, AIR TEMP	0.2

3

Ref. No.	Part No.	Description	Reqd. QTY			Serial No.	Parts catalogue code
			NSC110				
			CBF	D	CSF		
			C	D	E		
1	17208-GFM-970	COLLAR, AIR CLEANER SETTING ..	2	2	2		
2	17213-KZL-930	SEAL, AIR CLEANER	2	2	2		
3	17215-KZL-930	DUCT, AIR CLEANER	1	1	1		
4	17218-KZL-930	TUBE, BREATHER	1	1	1		
5	17220-KZL-E00	ELEMENT SET, AIR CLEANER(WL)	1	1	1		
6	17225-KZL-930	CASE SUB ASSY., AIR CLEANER ..	1	1	1		
7	17234-KCW-871	TUBE, AIR CLEANER DRAIN	1	1	1		
8	17235-KZL-930	COVER SUB ASSY., AIR CLEANER	1	1	1		
9	17253-KZL-930	TUBE, AIR CLEANER CONNECTING	1	1	1		
10	17261-KVB-T00	TUBE, DRAIN	1	1	1		
11	19416-KZL-930	COLLAR	2	2	2		
	19416-KEY-900	-	2	2		
12	19741-KZL-930	DUCT, L. COVER	1	1	1		
13	19742-KZL-930	CAP, L. COVER	1	1	1		
14	19748-KZL-930	SEAL, DUCT	1	1	1		
15	19749-KVY-900	SEAL, L. DUCT COVER	1	1	1		
16	37880-KWW-C01	SENSOR ASSY., AIR TEMP	1	1	1		
17	37881-KZL-E10	COVER, AIR TEMP SENSOR	1	1	1		
18	90112-KZL-A00	BOLT, SPECIAL, 6X18	2	2	2		
19	90652-KZL-930	BAND, AIR CLEANER CONNECTING					
		TUBE(42)	1	1	1		
20	93404-06040-08	BOLT-WASHER, 6X40	2	2	2		
21	93903-25380	SCREW, TAPPING, 5X16	1	1	1		
22	93903-25480	SCREW, TAPPING, 5X20	7	7	7		
23	93903-34310	SCREW, TAPPING, 4X12	1	1	1		



Ref. No.	Part No.	Description	Reqd. QTY			Serial No.	Parts catalogue code
			NSC110				
			CBF	D	CSF		
			C	D	E		
24	93911-25520	SCREW, TAPPING, 5X20	2	2	2		
25	95002-02130	CLIP, TUBE(B12.5)	2	2	2		
26	95002-41200-08	CLAMP, TUBE(D12)	1	1	1		
27	95002-80000	CLIP, TUBE(C12)	1	1	1		



Ref. No.	L.O.N.	(Relative ref. Number) Description	F.R.T.
1	3141A4	CANISTER	0.8
6	3141A9	VALVE, PURGE CONTROL	0.7

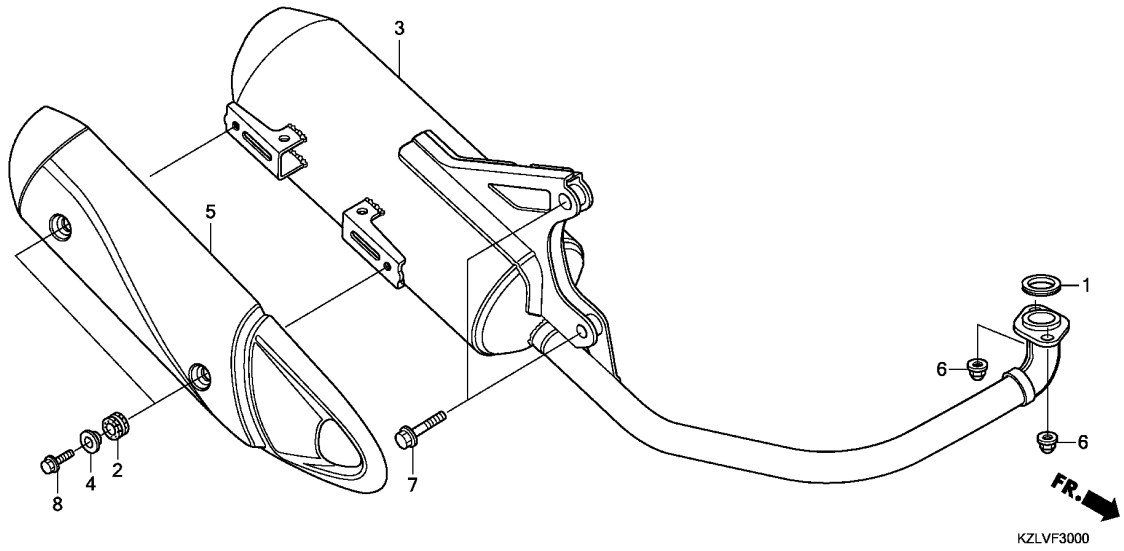
KZLVF2900

Ref. No.	Part No.	Description	Reqd. QTY			Serial No.	Parts catalogue code
			NSC110				
			CBF	CSF			
			C	D	E		
1	17310-GGC-902	CANISTER COMP.	-	-	1		
2	17311-GFM-K00	RUBBER, CANISTER MOUNT	-	-	2		
3	17414-KZL-930	TUBE, CHARGE	-	-	1		
4	17418-KZL-E70	TUBE A, PURGE	-	-	1		
5	17419-KZL-E70	TUBE C, PURGE	-	-	1		
6	36162-K27-V01	VALVE, PURGE CONTROL SOLENOID	-	-	1		
7	93500-05012	SCREW, PAN, 5X12	-	-	2		
8	95001-45450-40	TUBE, FUEL, 4.5X450 (95001-45001-60M)	-	-	1		
9	95002-02070	CLIP, TUBE(B7)	-	-	2		
10	95002-02080	CLIP, TUBE(B8)	-	-	3		
11	95002-02120	CLIP, TUBE(B12)	-	-	2		

F-30

EXHAUST MUFFLER

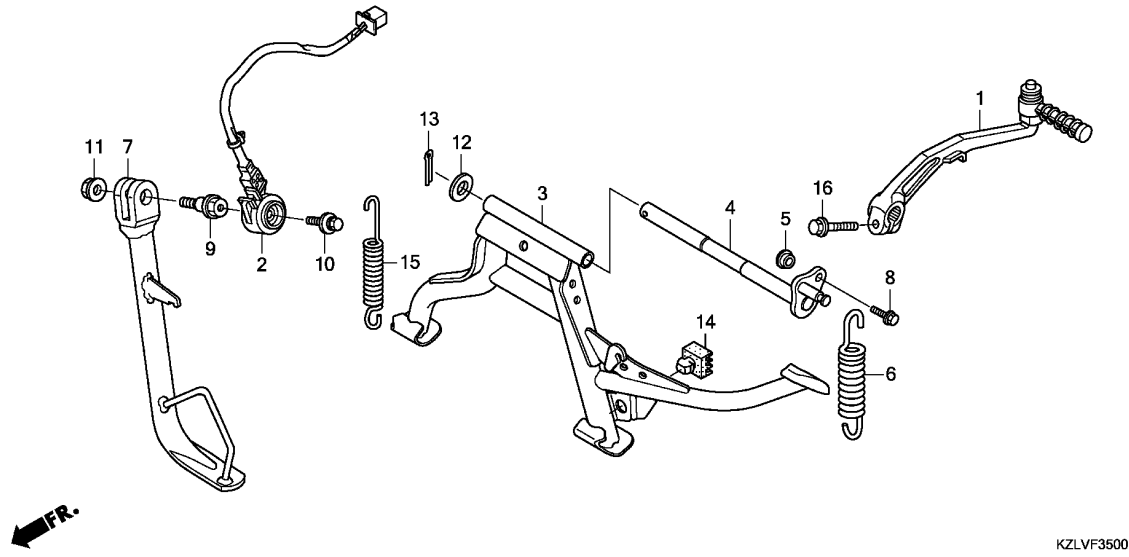
G16



Ref. No.	L.O.N.	(Relative ref. Number) Description	F.R.T.
1	3131B4	GASKET, EXHAUST PIPE	0.2
3	313120	MUFFLER	0.2
5	313121	PROTECTOR, MUFFLER	0.1

Ref. No.	Part No.	Description	Reqd. QTY			Serial No.	Parts catalogue code
			NSC110				
			CBF	D	CSF		
			C	D	E		
1	18291-KVB-900	GASKET, EX. PIPE	1	1	1		
2	18293-KSB-900	RUBBER, PROTECTOR PACKING ...	2	2	2		
3	18300-KZL-E00	MUFFLER COMP., EX.	1	1	-		
	18300-KZL-E70	-	-	1		
4	18316-KVB-900	COLLAR, MUFFLER PROTECTOR ...	2	2	2		
5	18318-KZL-930	PROTECTOR, MUFFLER	1	1	1		
6	90202-ZV0-000	NUT, CAP, 6MM	2	2	2		
7	95701-10040-07	BOLT, FLANGE, 10X40	2	2	2		
8	95801-06016-02	BOLT, FLANGE, 6X16	2	2	2		

3



Ref. No.	L.O.N.	(Relative ref. Number) Description	F.R.T.
1	112107	ARM, KICK STARTER	0.1
2	615195	SWITCH, SIDE STAND	0.9
3		(4)	
	410175	STAND, MAIN	0.4
6	410176	SPRING, MAIN STAND	0.2
7	410180	BAR, SIDE STAND	0.2
15	410182	SPRING, SIDE STAND	0.1

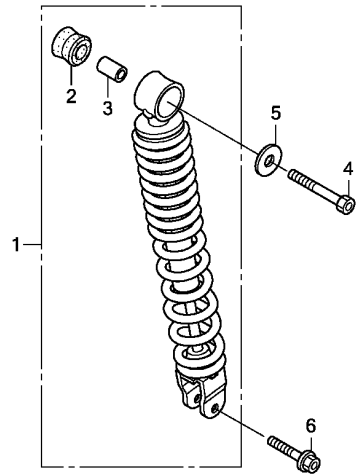
3

Ref. No.	Part No.	Description	Reqd. QTY			Serial No.	Parts catalogue code
			NSC110				
			CBF	CSF			
			C	D	E		
1	28300-KVY-900	ARM ASSY., KICK STARTER	1	1	1		
2	35700-KZL-E01	SWITCH ASSY., SIDE STAND	1	-	-		
	35700-KZL-E02	-	1	-		
	35700-KZL-E71	-	-	1		
3	50500-KZL-930	STAND COMP., MAIN	1	1	1		
4	50503-KZL-930	SHAFT, MAIN STAND	1	1	1		
5	50504-KZL-930	COLLAR, MAIN STAND SHAFT	1	1	1		
6	50520-KVB-900	SPRING, MAIN STAND	1	1	1		
7	50530-KZL-930	BAR COMP., SIDE STAND	1	-	-		
	50530-KZL-860	-	1	1		
8	90101-KVY-900	BOLT, SETTING, 6X16	1	1	1		
9	90108-KZL-860	BOLT, SIDE STAND PIVOT	1	1	1		
10	90147-KVB-900	BOLT, SPECIAL, 6X16	1	1	1		
11	90203-KVB-900	NUT, SIDE STAND	1	1	1		
12	94101-10800	WASHER, PLAIN, 10MM	1	1	1		
13	94201-30200	PIN, SPLIT, 3.0X20	1	1	1		
14	95011-61000	RUBBER A, STAND STOPPER	1	1	1		
15	95014-72102	SPRING A, SIDE STAND	1	1	1		
16	95701-08025-00	BOLT, FLANGE, 8X25	1	1	1		

F-36

REAR CUSHION

H 2



KZLVF3600

Ref. No.	L.O.N.	(Relative ref. Number) Description	F.R.T.
1	512115	CUSHION ASSY., REAR	0.7

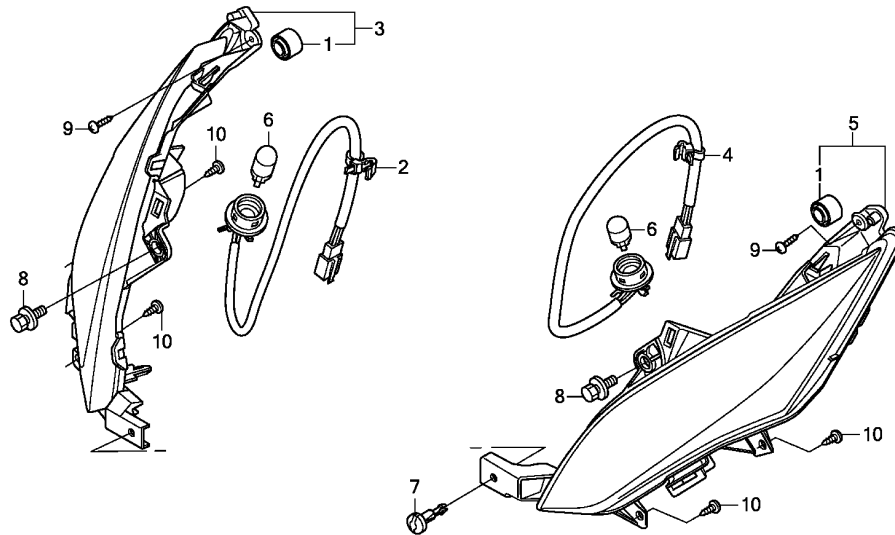
Ref. No.	Part No.	Description	Reqd. QTY			Serial No.	Parts catalogue code
			NSC110				
			CBF	D	CSF		
			C	D	E		
1	52400-KZL-E01	CUSHION ASSY., RR.(SHOWA) ...	1	1	1		
2	52485-KVY-901	BUSH, RUBBER(SHOWA)	1	1	1		
3	52486-GA7-003	COLLAR, RUBBER BUSH(SHOWA) ..	1	1	1		
4	92201-10090-0H	BOLT, HEX., 10X90	1	1	1		
5	94101-10000	WASHER, PLAIN, 10MM	1	1	1		
6	95801-08032-00	BOLT, FLANGE, 8X32	1	1	1		

3

F-37-10

FRONT WINKER

H 3



KZLVF3710

Ref. No.	L.O.N.	(Relative ref. Number) Description	F.R.T.
2	6161B6	SOCKET, WINKER :RIGHT FRONT ..	0.2
3	6161C4	WINKER :RIGHT FRONT	0.3
4	6161B5	SOCKET, WINKER :LEFT FRONT ...	0.2
	6161B7	SOCKET, WINKER :BOTH FRONT ...	0.3
5	6161C3	WINKER :LEFT FRONT	0.3
	6161C5	WINKER :BOTH FRONT	0.4
6	616133	BULB, WINKER :FRONT	0.1
	.NOTE: Same time for two units		
	6161G0	BULB, WINKER :FOR 1 VEHICLE ..	0.2

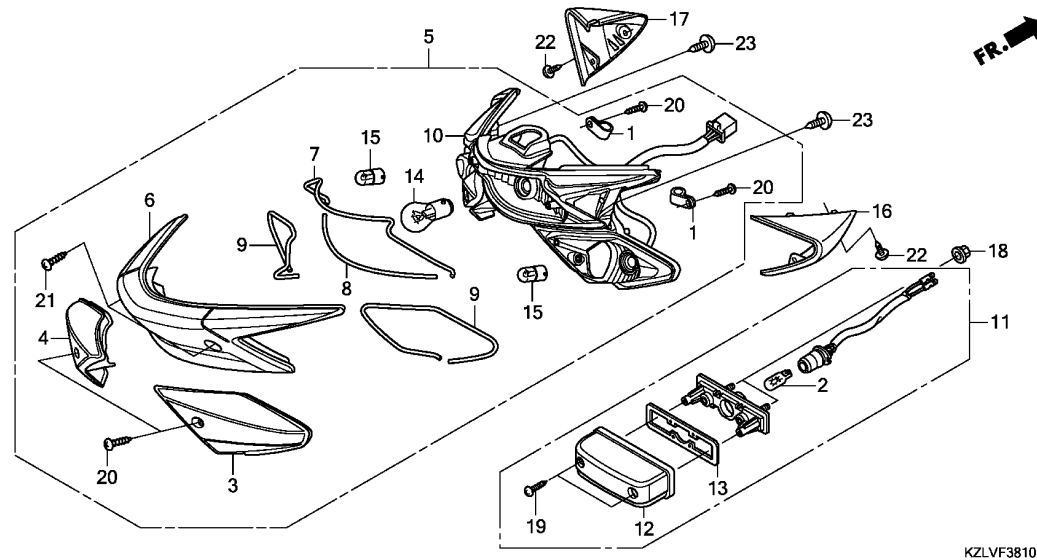
3

Ref. No.	Part No.	Description	Reqd. QTY			Serial No.	Parts catalogue code
			NSC110				
			CBF	CSF	E		
			C	D	E		
1	33113-KWR-003	PIPE, CP	2	2	2		
2	33410-KZL-E01	CORD COMP., R. FR. WINKER ...	1	1	1		
3	33420-KZL-841	WINKER UNIT, R. FR.	1	1	1		
4	33460-KZL-E01	CORD COMP., L. FR. WINKER ...	1	1	1		
5	33470-KZL-841	WINKER UNIT, L. FR.	1	1	1		
6	34910-KZL-931	BULB, WINKER(12V 10W)	2	2	2		
7	90683-GAZ-003	CLIP, TRIM	1	1	1		
8	93404-06012-00	BOLT-WASHER, 6X12	2	2	2		
9	93903-34480	SCREW, TAPPING, 4X16	2	2	2		
10	93903-35220	SCREW, TAPPING, 5X12	4	4	4		

F-38-10

REAR COMBINATION LIGHT

H 4



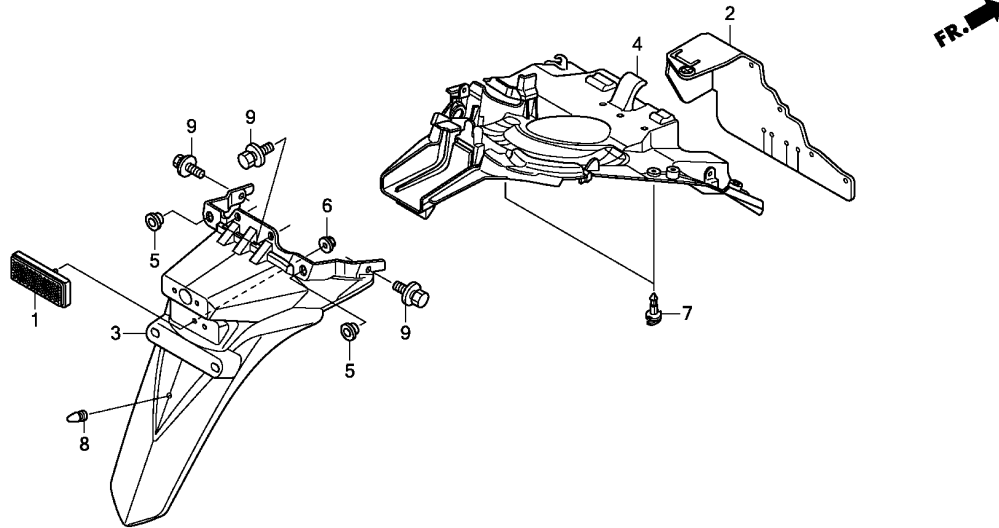
Ref. No.	L.O.N.	(Relative ref. Number) Description	F.R.T.
2		(12,13)	
6161F3		BULB, LICENSE LIGHT	0.1
5	6161D5	TAILLIGHT UNIT	0.7
10	6161E2	BASE, TAILLIGHT	0.7
11	6161D8	LIGHT, LICENSE	0.7
14		(6,7,8)	
6161G1		BULB, TAILLIGHT	0.1
15		(3,4,9)	
616139		BULB, WINKER :REAR	0.1
		.NOTE: Same time for two units	
6161G0		BULB, WINKER :FOR 1 VEHICLE ..	0.2
16	6161Z8	COVER, REAR WINKER :RIGHT	0.1
17	6161Z7	COVER, REAR WINKER :LEFT	0.1
6161Z9		COVER, REAR WINKER :BOTH	0.1

Ref. No.	Part No.	Description	Reqd. QTY			Serial No.	Parts catalogue code
			NSC110				
			CBF	D	CSF		
			C	D	E		
1	32920-MN5-003	CLAMP, CORD	2	2	2		
2	33301-SAO-741	BULB(12V 5W)(STANLEY)	1	1	1		
3	33602-KZL-E01	LENS, R. WINKER	1	1	1		
4	33652-KZL-E01	LENS, L. WINKER	1	1	1		
5	33700-KZL-E01	LIGHT ASSY., RR. COMBINATION	1	1	1		
6	33703-KZL-E01	LENS, TAILLIGHT	1	1	1		
7	33704-KZL-931	SEAL A, PACKING	1	1	1		
8	33705-KZL-931	SEAL B, PACKING	1	1	1		
9	33706-KZL-931	SEAL C, PACKING	2	2	2		
10	33710-KZL-E01	LIGHT UNIT, RR. COMBINATION	1	1	1		
11	33720-KZL-A01	LIGHT ASSY., LICENSE	1	1	1		
12	33722-KWN-901	COVER COMP., LICENSE	1	1	1		
13	33729-MCZ-003	PACKING, LENS	1	1	1		
14	34906-GB6-921	BULB, TAILLIGHT(12V 18/5W) (STANLEY)	1	1	1		
15	34907-KZL-931	BULB(12V 10W)(AMBER)	2	2	2		
16	80121-KZL-930	COVER, R. RR. WINKER	1	1	1		
17	80131-KZL-930	COVER, L. RR. WINKER	1	1	1		
18	90301-KWN-901	NUT, U, 5MM	2	2	2		
19	93901-24480	SCREW, TAPPING, 4X16	2	2	2		
20	93901-34420	SCREW, TAPPING, 4X16	4	4	4		
21	93901-34480	SCREW, TAPPING, 4X16	2	2	2		
22	93903-34480	SCREW, TAPPING, 4X16	2	2	2		
23	93903-35320	SCREW, TAPPING, 5X16	2	2	2		

F-39

REAR FENDER

H 5

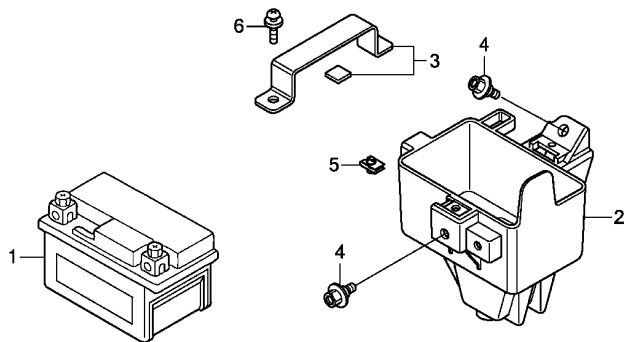


KZLVF3900

Ref. No.	L.O.N.	(Relative ref. Number) Description	F.R.T.
3	413105	FENDER A, REAR	0.7
4	413110	FENDER B, REAR	1.1

3

Ref. No.	Part No.	Description	Reqd. QTY			Serial No.	Parts catalogue code
			NSC110				
			CBF	CSF			
			C	D	E		
1	33741-MS6-921	REFLECTOR, REFLEX(STANLEY) ..	1	1	1		
2	80104-KZL-A00	PLATE, RR. FENDER SPLASH GUARD	1	1	1		
3	80105-KZL-E00ZB	FENDER A, RR. *NH1*.....BLACK	1	1	1		
4	80107-KZL-E00	FENDER B, RR.	1	1	1		
5	83551-376-000	GROMMET, SIDE COVER	2	2	2		
6	90301-KWN-901	NUT, U, 5MM	1	1	1		
7	90683-GAZ-003	CLIP, TRIM	2	2	2		
8	90899-422-610	PLUG, CONE TYPE	1	1	1		
9	93404-06012-00	BOLT-WASHER, 6X12	4	4	4		



FR.

KZLVF4000

Ref. No.	L.O.N.	(Relative ref. Number) Description	F.R.T.
1	610100	BATTERY	0.2
2	410185	BOX, BATTERY	0.2

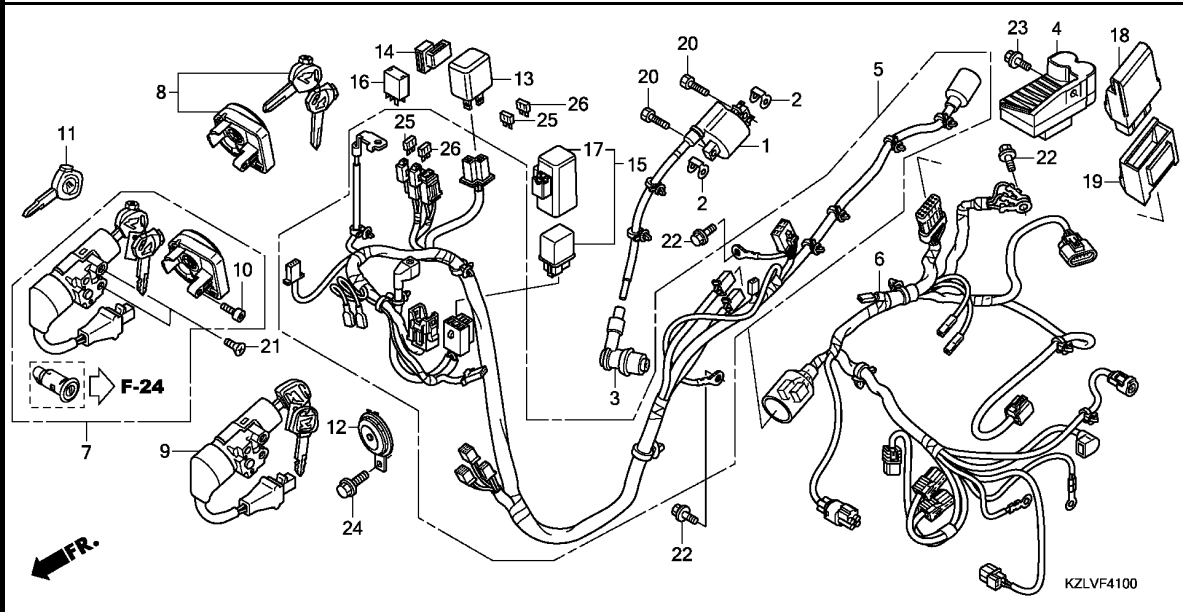
Ref. No.	Part No.	Description	Reqd. QTY			Serial No.	Parts catalogue code
			NSC110				
			CBF	CSF			
			C	D	E		
1	31500-KWW-B21	BATTERY (GTZ4V) (GS YUASA)	1	1	1		
2	50381-KZL-E00	CASE, BATTERY	1	-	-		
	50381-KZL-E10	-	1	1		
3	50382-KZL-A00	BAND, BATTERY	1	1	1		
4	90111-162-000	BOLT, FLANGE, 6MM	2	2	2		
5	90677-KAN-T00	NUT, CLIP, 5MM	1	1	1		
6	93891-05010-07	SCREW-WASHER, 5X10	1	1	1		

3

F-41

WIRE HARNESS/ECU

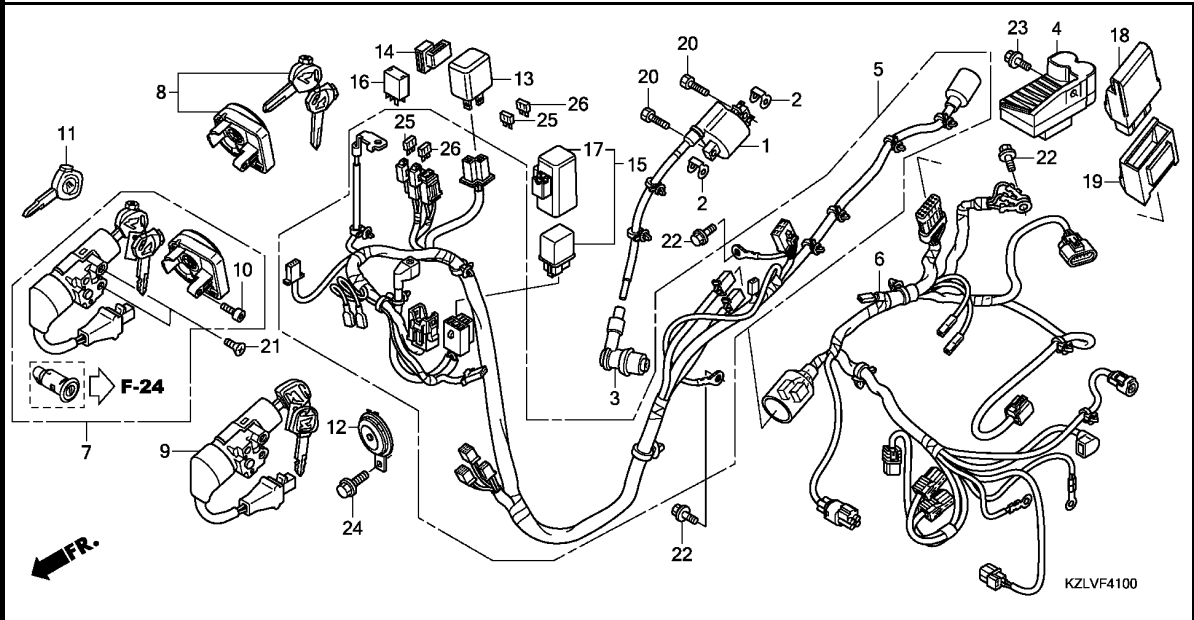
H 7



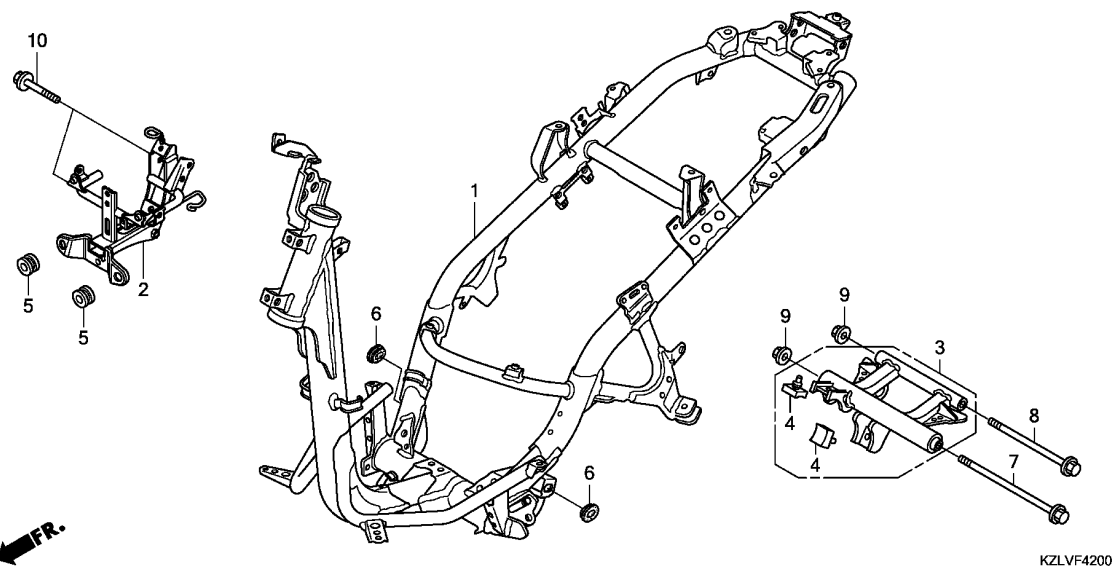
Ref. No.	L.O.N.	(Relative ref. Number) Description	F.R.T.
1	614105	COIL, IGNITION	0.8
4	6131B2	RECTIFIER, REGULATE	0.8
5	611100	HARNESS, WIRE	1.2
6	611142	SUB HARNESS, ENGINE	1.0
7	6151A1	KEY SET	2.9
8	6151A2	KEY, SHUTTER	2.0
.EXCLUDES: Key cutting			
9	615145	SWITCH, COMBINATION & LOCK ...	2.1
12	616169	HORN	0.1
13	6111C3	RELAY, WINKER	0.2
15	6111C5	RELAY, STARTER	0.3
16	611155	RELAY, MAIN	0.2
18	618135	ENGINE CONTROL MODULE(ECM) ...	0.8

3

Ref. No.	Part No.	Description	Reqd. QTY			Serial No.	Parts catalogue code
			NSC110				
			CBF	D	CSF		
			C	D	E		
1	30510-KZL-931	COIL COMP., IGNITION(TEC) ...	1	1	-		
	30510-KZL-E71	COIL COMP., IGNITION	-	-	1		
2	30520-GFM-900	SPACER, IGNITION COIL	2	2	2		
3	30700-KZL-E01	CAP ASSY., NOISE SUPPRESSOR	1	1	-		
	30700-KZL-E71	-	-	1		
4	31600-KZL-E01	RECTIFIER COMP., REGULATOR ..	1	1	1		
5	32100-KZL-E00	HARNESS, WIRE	1	1	1		
6	32101-KZL-E10	SUB HARNESS, ENGINE	1	1	-		
	32101-KZL-E70	-	-	1		
7	35010-KZL-E00	KEY SET	1	1	1		
8	35110-KWB-920	KEY SET, SHUTTER	1	1	1		
9	35101-KZL-E01	SWITCH COMP., COMBINATION & LOCK	1	1	1		
10	35109-KWB-920	BOLT, SOCKET, 5X8	1	-	-		
	35109-KWB-921	-	1	1		
11	35121-KVY-900	KEY, BLANK					
		(90KEYTOP2REPORDER)	(1)	(1)	(1)		
12	38110-KWW-B21	HORN COMP.	1	1	1		
13	38301-GBG-911	RELAY COMP., WINKER (PT.MITSUBA)	1	1	1		
14	38306-GE7-000	SUSPENSION, WINKER RELAY	1	1	1		
15	38500-KVG-V21	RELAY ASSY., STARTER	1	1	1		
16	38501-KVZ-631	RELAY ASSY., POWER (MICRO ISO 4P)(MITSUBA)	1	1	1		
17	38506-KVG-V21	SUSPENSION	1	1	1		
18	38770-KZL-E12	PGM-FI UNIT	1	-	-	----- 081302	



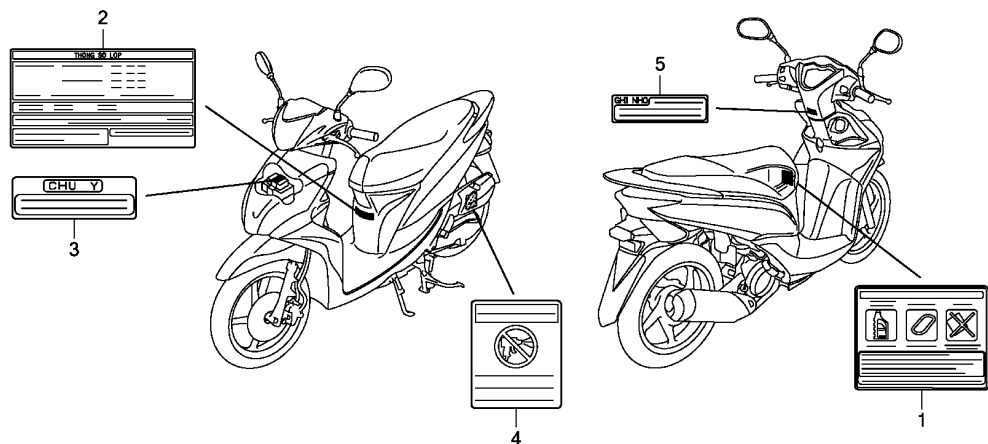
Ref. No.	Part No.	Description	Reqd. QTY			Serial No.	Parts catalogue code
			NSC110				
			CBF	CSF			
			C	D	E		
18)	38770-KZL-E13	PGM-FI UNIT	1	-	-	081303	-----
	38770-KZL-E71	-	1	-		
19	38771-KZL-930	SUSPENSION, ENGINE CONTROL UNIT	1	1	1		
20	90106-GFM-900	BOLT, HEX., 6X22	2	2	2		
21	90164-KZL-A00	SCREW, U-LOCK FLAT, 6X12	2	2	2		
22	95701-06012-00	BOLT, FLANGE, 6X12	3	3	3		
23	95701-06016-00	BOLT, FLANGE, 6X16	1	1	1		
24	95701-08016-00	BOLT, FLANGE, 8X16	1	1	1		
25	98200-41000	FUSE, MINI(10A)	2	2	2		
26	98200-41500	FUSE, MINI(15A)	2	2	2		



Ref. No.	L.O.N.	(Relative ref. Number) Description	F.R.T.
1	410100	BODY, FRAMEINCLUDES: Engine removal and installation	4.9
2	411105	STAY, FRONT COVER	0.7
3	4101B5	LINK, ENGINE HANGERINCLUDES: Engine removal and installation	1.8

3

Ref. No.	Part No.	Description	Reqd. QTY			Serial No.	Parts catalogue code
			NSC110				
			CBF	CSF			
			C	D	E		
1	50100-KZL-E10	BODY COMP., FRAME	1	1	-		
	50100-KZL-E70	-	-	1		
2	50310-KZL-E00	STAY COMP., FR. COVER	1	1	1		
3	50350-KZL-930	LINK ASSY., ENGINE HANGER ...	1	1	1		
4	50352-KVB-T00	RUBBER, LINK STOPPER(70)	2	2	2		
5	64216-GJ2-730	RUBBER, SCREEN SETTING	2	2	2		
6	83551-GE2-000	GROMMET, AIR CLEANER CASE ...	2	2	2		
7	90105-KVY-900	BOLT, FLANGE, 10X270	1	1	1		
8	90106-GCC-000	BOLT, FLANGE, 10X238	1	1	1		
9	90304-KGH-901	NUT, U, 10MM	2	2	2		
10	95701-08045-08	BOLT, FLANGE, 8X45	2	2	2		



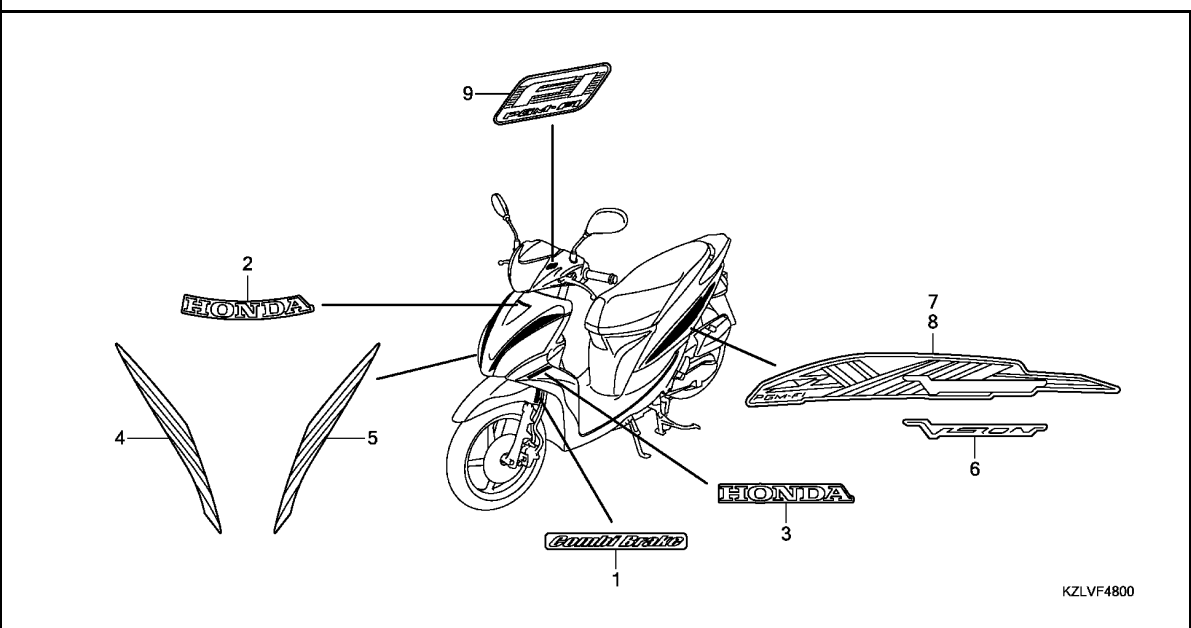
KZLVF4700A

Ref. L.O.N. (Relative ref. Number) F.R.T.
No. Description

NO INFORMATION

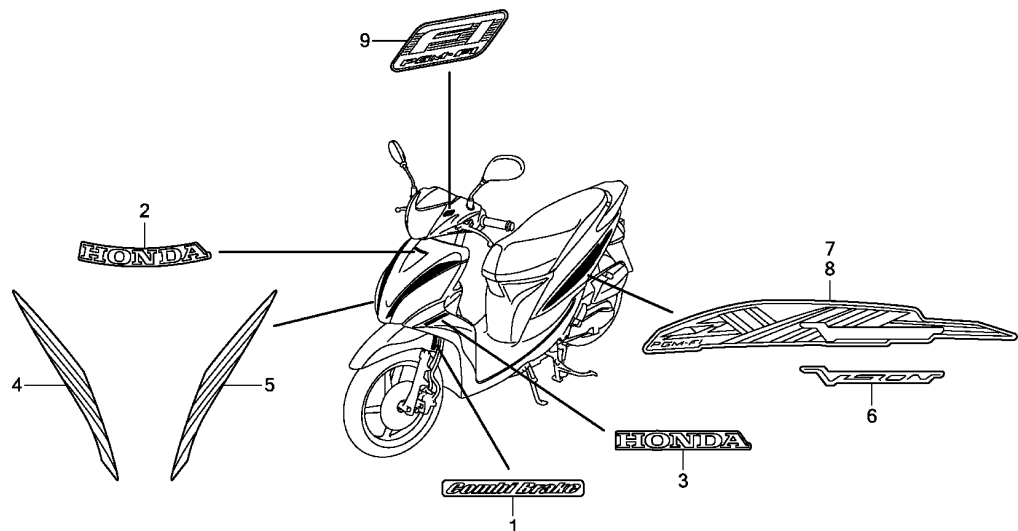
3

Ref. No.	Part No.	Description	Reqd. QTY			Serial No.	Parts catalogue code
			NSC110				
			CBF	CSF			
			C	D	E		
1	87504-KZL-E00	LABEL, REPLACEMENT INFORMATION	1	1	1		
2	87505-KZL-E00	LABEL, TIRE	1	1	1		
3	87506-KTM-900	MARK, BATTERY CAUTION	1	1	1		
4	87509-KWW-V00	LABEL, AIR CLEANER ELEMENT					
		NOTICE	1	1	1		
5	87560-KVB-950	LABEL, DRIVE CAUTION	1	1	1		



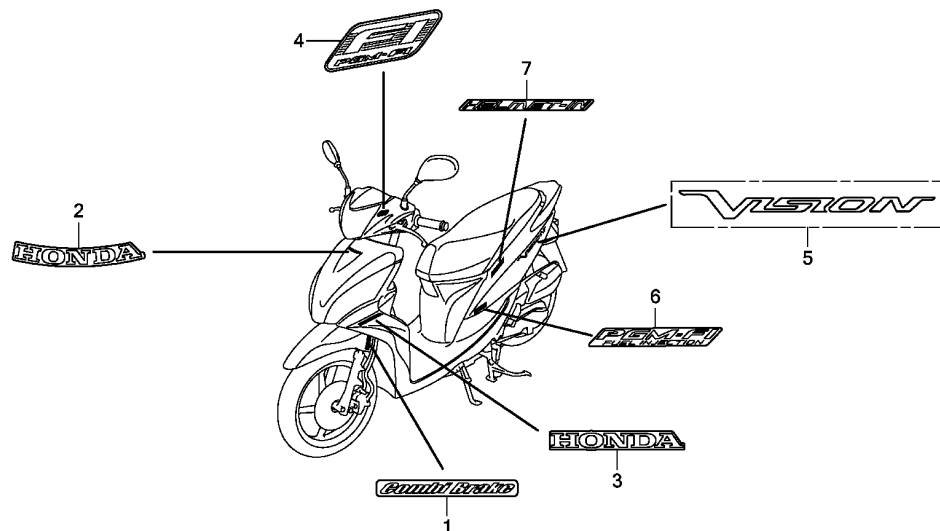
Ref. No.	L.O.N.	(Relative ref. Number) Description	F.R.T.
NO INFORMATION			

Ref. No.	Part No.	Description	Reqd. QTY			Serial No.	Parts catalogue code
			NSC110				
			CBF	CSF	E		
			C	D	E		
1	61105-KTG-V00	MARK (COMBI BRAKE) (60MM)	1	1	-	-----	2V,4V
2	86101-KZL-E00ZA	MARK, HONDA (75MM)	1	1	-	-----	2V,4V
	86101-KZL-E00ZB	*TYPE3*	1	1	-	-----	2V,4V
	86101-KZL-E00ZC	*TYPE1*	1	1	-	-----	2V,4V
3	86102-KZL-E00ZB	MARK, HONDA (90MM)	2	2	-	-----	2V,4V
	86102-KZL-E00ZC	*TYPE1*	2	2	-	-----	2V,4V
	86102-KZL-E00ZD	*TYPE3*	2	2	-	-----	2V,4V
4	86641-KZL-E00ZB	STRIPE, R. FR. COVER	1	1	-	-----	2V,4V
	86641-KZL-E00ZC	*TYPE1*	1	1	-	-----	2V,4V
	86641-KZL-E00ZF	*TYPE4*	1	1	-	-----	2V,4V
	86641-KZL-E00ZG	*TYPE3*	1	1	-	-----	2V,4V
	86641-KZL-E00ZD	*TYPE6*	1	-	-	-----	
	86641-KZL-E00ZE	*TYPE5*	1	-	-	-----	
5	86642-KZL-E00ZC	STRIPE, L. FR. COVER	1	1	-	-----	2V,4V
	86642-KZL-E00ZD	*TYPE3*	1	1	-	-----	2V,4V
	86642-KZL-E00ZE	*TYPE2*	1	1	-	-----	2V,4V
	86642-KZL-E00ZF	*TYPE1*	1	1	-	-----	2V,4V
	86642-KZL-E00ZA	*TYPE6*	1	-	-	-----	
	86642-KZL-E00ZB	*TYPE5*	1	-	-	-----	
6	86831-KZL-E00ZA	MARK, BODY COVER	2	2	-	-----	2V,4V
	86831-KZL-E00ZB	*TYPE1*	2	2	-	-----	2V,4V
7	86833-KZL-E00ZC	STRIPE, R. BODY COVER	1	1	-	-----	2V,4V
	86833-KZL-E00ZD	*TYPE4*	1	1	-	-----	2V,4V
	86833-KZL-E00ZD	*TYPE3*	1	1	-	-----	2V,4V



KZLVF4800

Ref. No.	Part No.	Description	Reqd. QTY			Serial No.	Parts catalogue code
			NSC110	CBF	CSF		
			C	D	E		
(7)	86833-KZL-E00ZE	STRIPE, R. BODY COVER					
		TYPE2	1	1	-	-----	2V,4V
	86833-KZL-E00ZF	*TYPE1*	1	1	-	-----	2V,4V
	86833-KZL-E00ZA	*TYPE6*	1	-	-		
	86833-KZL-E00ZB	*TYPE5*	1	-	-		
8	86834-KZL-E00ZC	STRIPE, L. BODY COVER					
		TYPE4	1	1	-	-----	2V,4V
	86834-KZL-E00ZD	*TYPE3*	1	1	-	-----	2V,4V
	86834-KZL-E00ZE	*TYPE2*	1	1	-	-----	2V,4V
	86834-KZL-E00ZF	*TYPE1*	1	1	-	-----	2V,4V
	86834-KZL-E00ZA	*TYPE6*	1	-	-		
	86834-KZL-E00ZB	*TYPE5*	1	-	-		
9	86531-KYZ-710ZA	MARK(FI)					
		TYPE1	1	1	-	-----	2V,4V

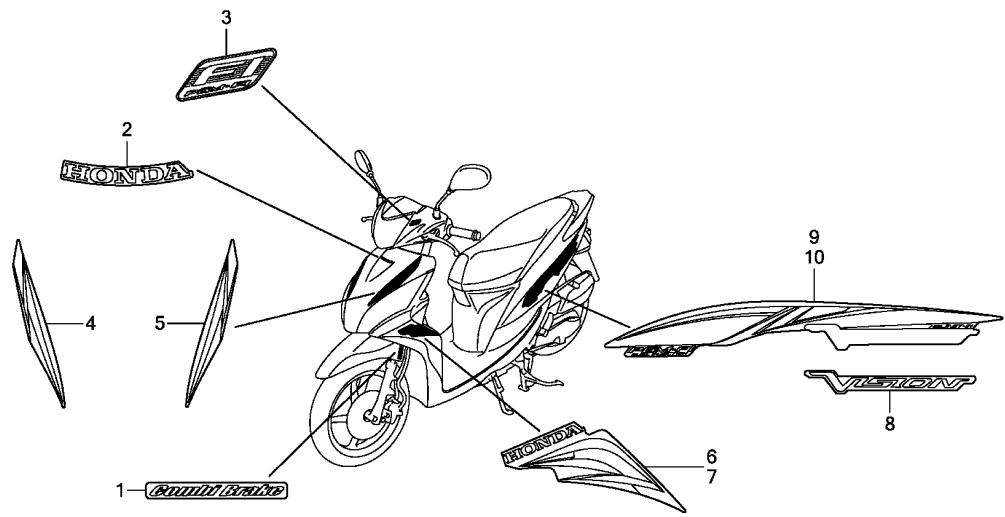


KZLVF4801

Ref. L.O.N. (Relative ref. Number) F.R.T.
No. Description

NO INFORMATION

Ref. No.	Part No.	Description	Reqd. QTY			Serial No.	Parts catalogue code	
			NSC110					
			CBF	CSF				
			C	D	E			
1	61105-KTG-V00	MARK(COMBI BRAKE)(60MM)	-	1	1	-----	2V,5V	
2	86101-KZL-E00ZC	MARK, HONDA(75MM)	-	1	-	-----	5V	
	86101-KZL-E80ZB	*TYPE2*	-	-	1	-----	2V	
	86101-KZL-E80ZC	*TYPE1*	-	-	1	-----	2V	
3	86102-KZL-E00ZC	MARK, HONDA(90MM)	-	2	-	-----	5V	
	86102-KZL-E80ZA	*TYPE2*	-	-	2	-----	2V	
	86102-KZL-E80ZB	*TYPE1*	-	-	2	-----	2V	
4	86531-KYZ-710ZA	MARK(FI)	-	1	1	-----	2V,5V	
	86531-KYZ-710ZB	*TYPE1*	-	1	1	-----	2V,5V	
5	86831-KZL-E60ZA	MARK, BODY COVER	-	2	2	-----	2V,5V	
	86831-KZL-E60ZB	*TYPE1*	-	2	2	-----	2V,5V	
6	86834-KVG-V40ZC	MARK(PGM-FI)	-	2	2	-----	2V,5V	
	86834-KVG-V40ZD	*TYPE3*	-	2	2	-----	2V,5V	
7	86835-KZL-E60ZA	MARK(HELMET IN)	-	2	2	-----	2V,5V	
	86835-KZL-E60ZB	*TYPE1*	-	2	2	-----	2V,5V	

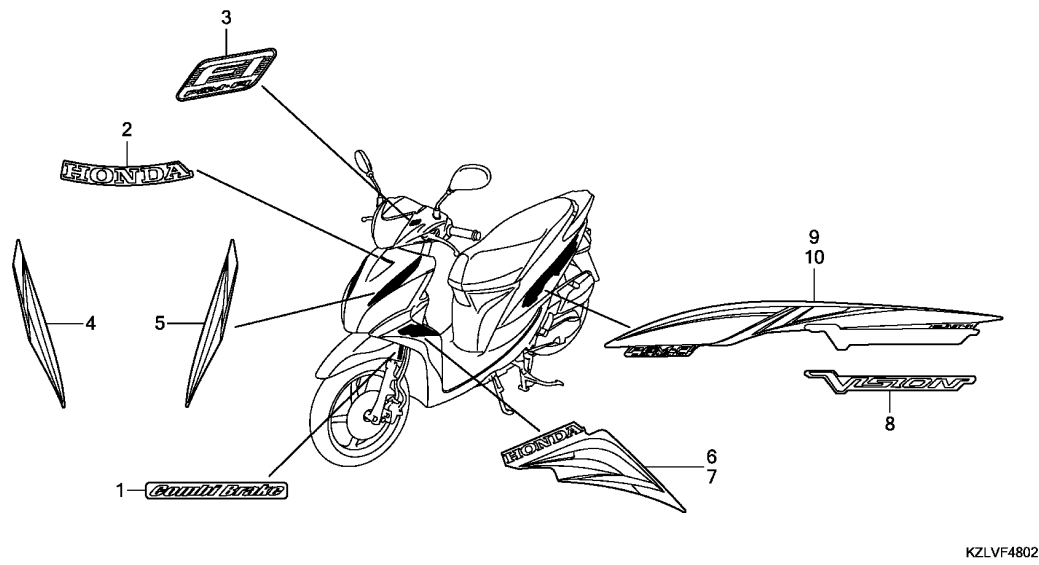


KZLVF4802

Ref. No.	L.O.N.	(Relative ref. Number)	Description	F.R.T.
NO INFORMATION				

3

Ref. No.	Part No.	Description	Reqd. QTY			Serial No.	Parts catalogue code
			NSC110				
			CBF	CSF	E		
			C	D	E		
1	61105-KTG-V00	MARK(COMBI BRAKE)(60MM)	-	-	1	-----	V
2	86101-KZL-E80ZA	MARK, HONDA(75MM)	-	-	1	-----	V
	86101-KZL-E80ZB	*TYPE3*	-	-	1	-----	V
	86101-KZL-E80ZC	*TYPE2*	-	-	1	-----	V
3	86531-KYZ-710ZA	MARK(FI)	-	-	1	-----	V
		TYPE1	-	-	1	-----	V
4	86641-KZL-E70ZA	STRIPE, R. FR. COVER	-	-	1	-----	V
		TYPE3	-	-	1	-----	V
	86641-KZL-E70ZB	*TYPE2*	-	-	1	-----	V
	86641-KZL-E70ZC	*TYPE1*	-	-	1	-----	V
5	86642-KZL-E70ZA	STRIPE, L. FR. COVER	-	-	1	-----	V
		TYPE3	-	-	1	-----	V
	86642-KZL-E70ZB	*TYPE2*	-	-	1	-----	V
	86642-KZL-E70ZC	*TYPE1*	-	-	1	-----	V
6	86643-KZL-E70ZA	STRIPE, R. FR. SIDE COVER	-	-	1	-----	V
		TYPE3	-	-	1	-----	V
	86643-KZL-E70ZB	*TYPE2*	-	-	1	-----	V
	86643-KZL-E70ZC	*TYPE1*	-	-	1	-----	V
7	86644-KZL-E70ZA	STRIPE, L. FR. SIDE COVER	-	-	1	-----	V
		TYPE3	-	-	1	-----	V
	86644-KZL-E70ZB	*TYPE2*	-	-	1	-----	V
	86644-KZL-E70ZC	*TYPE1*	-	-	1	-----	V
8	86831-KZL-E00ZA	MARK, BODY COVER	-	-	2	-----	V
		TYPE1	-	-	2	-----	V
9	86833-KZL-E70ZA	STRIPE, R. BODY COVER	-	-	1	-----	V
		TYPE3	-	-	1	-----	V
	86833-KZL-E70ZB	*TYPE2*	-	-	1	-----	V
	86833-KZL-E70ZC	*TYPE1*	-	-	1	-----	V



KZLVF4802

Ref. No.	Part No.	Description	Reqd. QTY			Serial No.	Parts catalogue code
			NSC110				
			CBF	CSF			
			C	D	E		
10	86834-KZL-E70ZA	STRIPE, L. BODY COVER	-	-	1	-----	V
		TYPE3	-	-	1	-----	V
	86834-KZL-E70ZB	*TYPE2*	-	-	1	-----	V
	86834-KZL-E70ZC	*TYPE1*	-	-	1	-----	V