

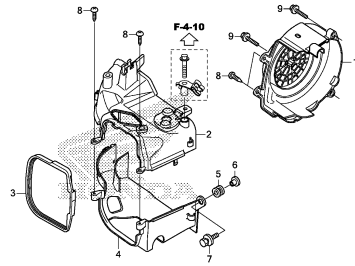
ENGINE GROUP

C 5

E-1

SHROUD/FAN COVER

D 1

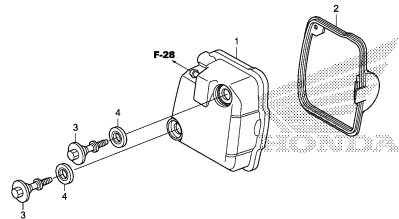


K44BE0100

E-2

CYLINDER HEAD COVER

D 2

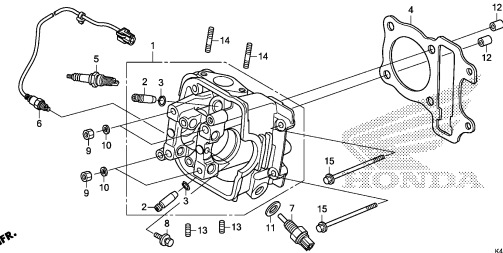


K44BE0200

E-3

CYLINDER HEAD

D 3

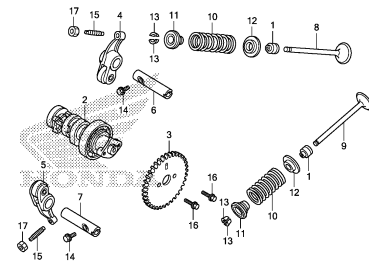


K44BE0300

E-4

CAMSHAFT/VALVE

D 5

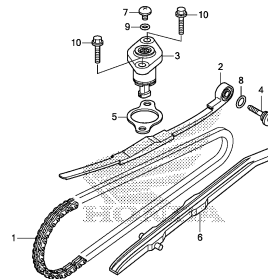


K44BE0400

E-5

CAM CHAIN/TENSIONER

D 7

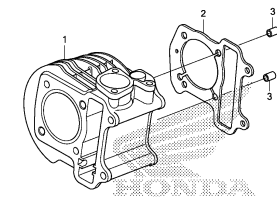


K44BE0500

E-6

CYLINDER

D 8

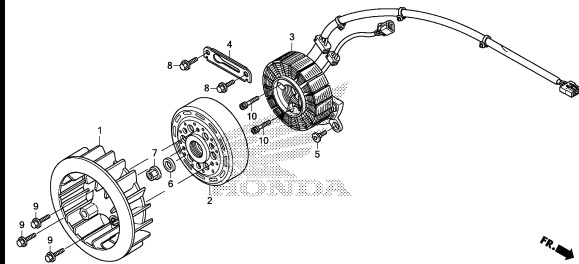


K44BE0600

E-10

A.C.G. STARTER

D 9

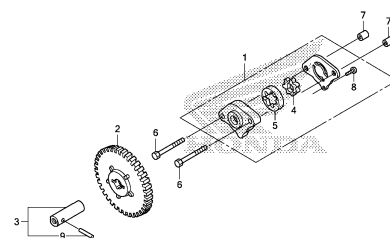


K44BE1000

E-11

OIL PUMP

D10

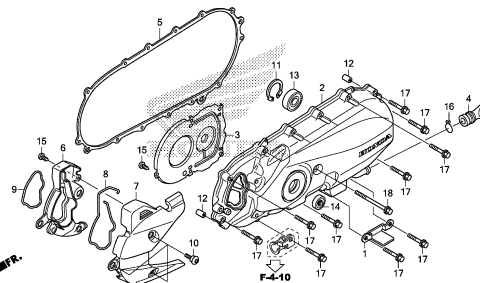


K44BE1100

E-13

LEFT CRANKCASE COVER

D11



K44BE1300

2

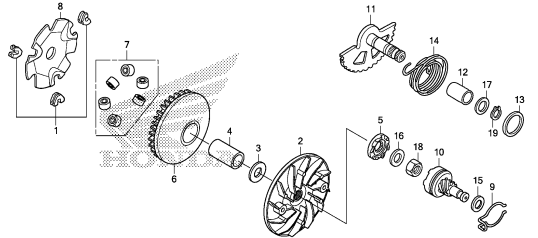
ENGINE GROUP

C 6

E-16

DRIVE FACE

D12

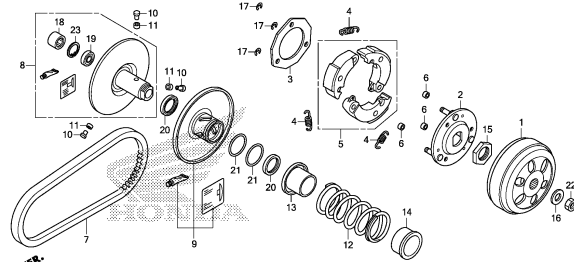


K44BE1600

E-17

DRIVEN FACE

D13

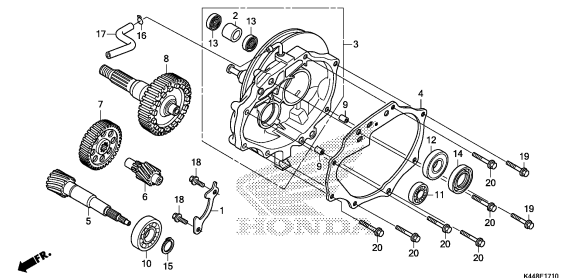


K44BE1700

E-17-10

TRANSMISSION

D15

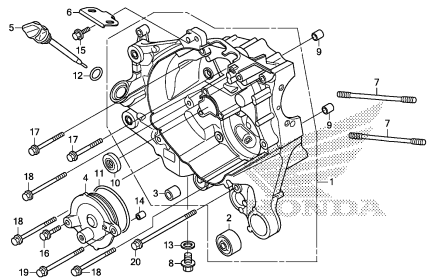


K44BE1710

E-19-10

RIGHT CRANKCASE

D16

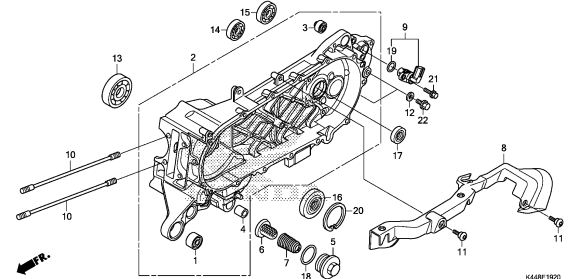


K44BE1910

E-19-20

LEFT CRANKCASE

E 1

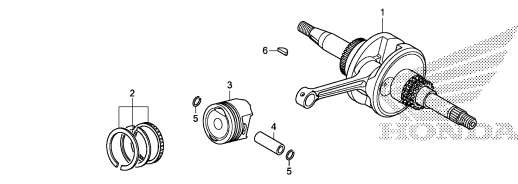


K44BE1920

E-20

CRANKSHAFT/PISTON

E 3

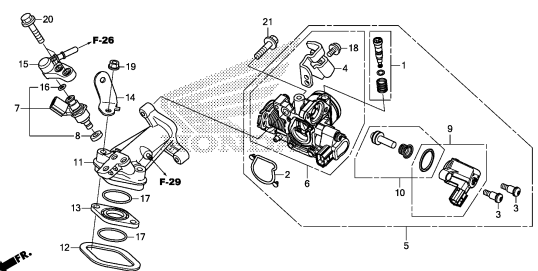


K44BE2000

E-22

THROTTLE BODY/FUEL INJECTOR

E 4



K44BE2200

2

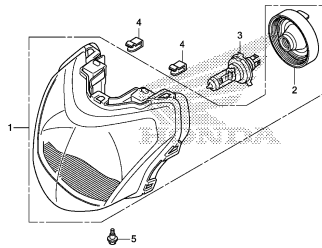
FRAME GROUP

C 7

F-1

HEADLIGHT

F 1

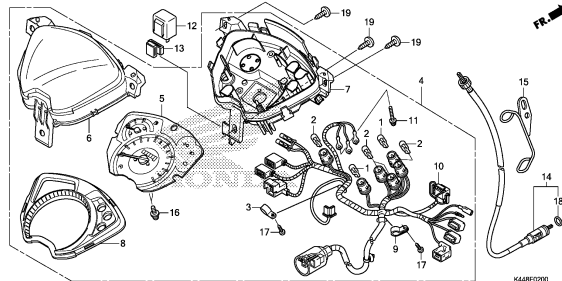


K44BF0100

F-2

SPEEDOMETER

F 2

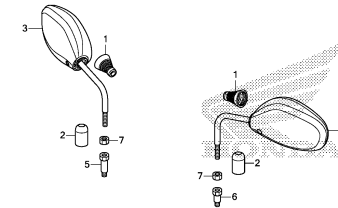


K44BF0200

F-3

MIRROR

F 3

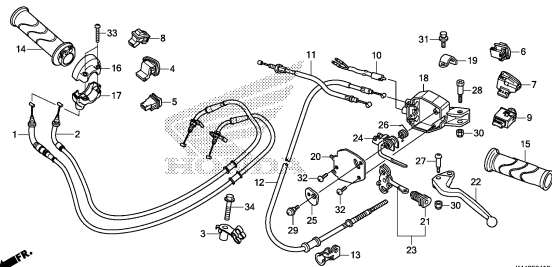


K44BF0300

F-4-10

HANDLE LEVER/SWITCH/CABLE

F 4

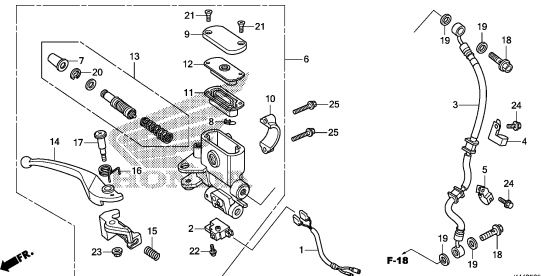


K44BF0410

F-5-10

FRONT BRAKE MASTER CYLINDER

F 6

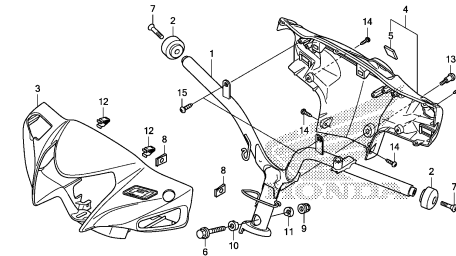


K44BF0510

F-9

HANDLE PIPE/HANDLE COVER

F 7

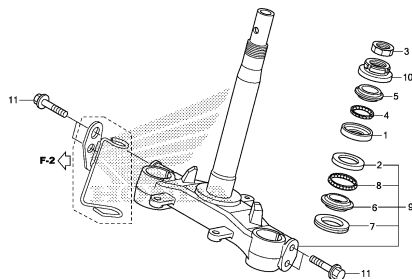


K44BF0900

F-10

STEERING STEM

F 9

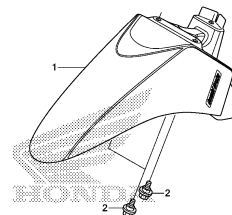


K44BF1000

F-11

FRONT FENDER

F10

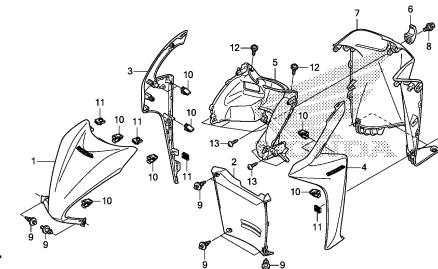


K44BF1100

F-12

FRONT COVER/INNER COVER

F11



K44BF1200

3

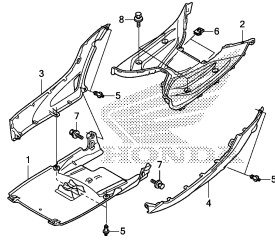
FRAME GROUP

C 8

F-14

FLOOR STEP

F13

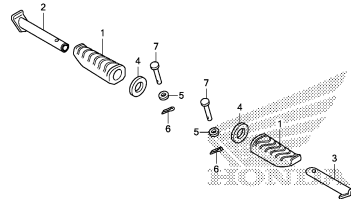


K44BF1400

F-14-10

PILLION STEP

F15

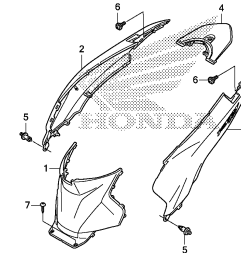


K44BF1410

F-15

BODY COVER

F16

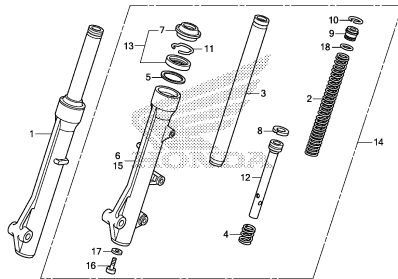


K44BF1500

F-17

FRONT FORK

G 2

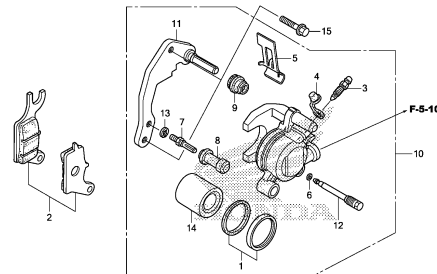


K44BF1700

F-18

FRONT BRAKE CALIPER

G 3

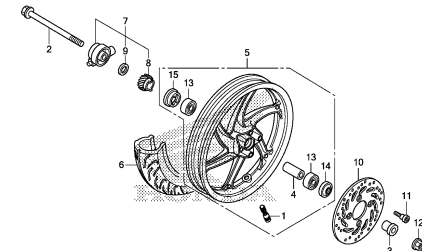


K44BF1800

F-20-40

FRONT WHEEL

G 4

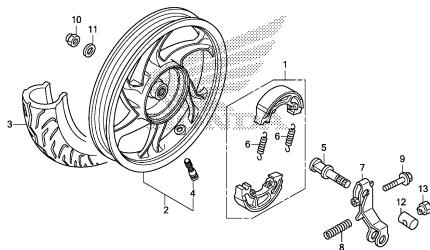


K44BF2040

F-22-30

REAR WHEEL

G 6

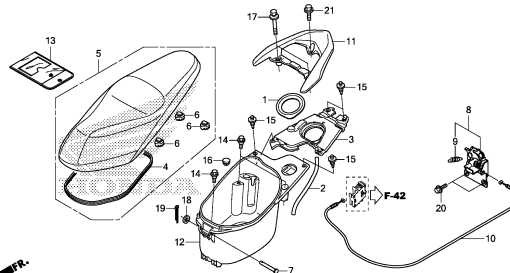


K44BF2230

F-24

SEAT/LUGGAGE BOX

G 7

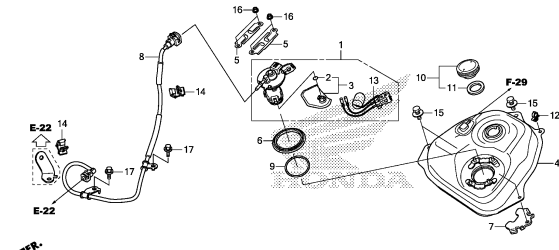


K44BF2400

F-26

FUEL TANK

G 8



K44BF2600

3

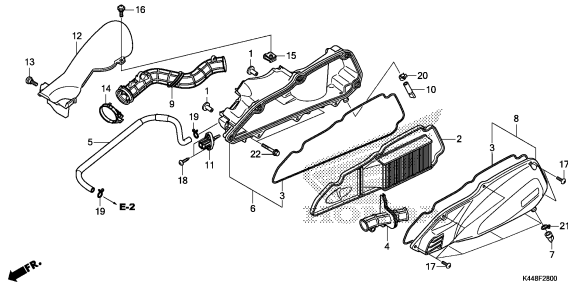
FRAME GROUP

C 9

F-28

AIR CLEANER

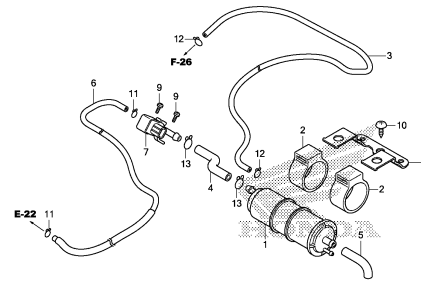
G 9



F-29

CANISTER

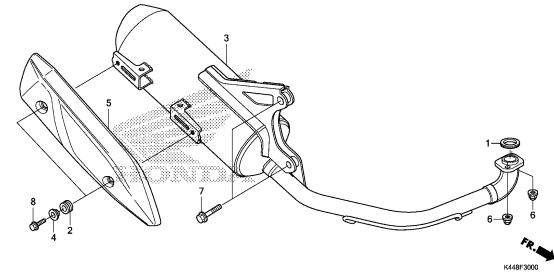
G10



F-30

EXHAUST MUFFLER

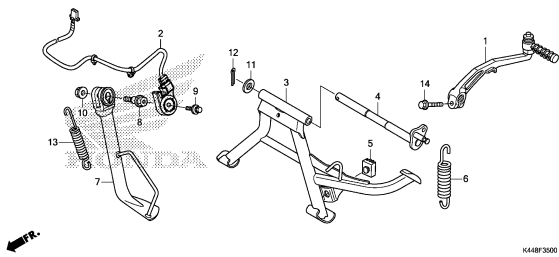
G11



F-35

STAND/KICK STARTER ARM

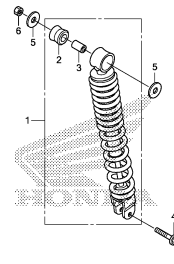
G12



F-36

REAR CUSHION

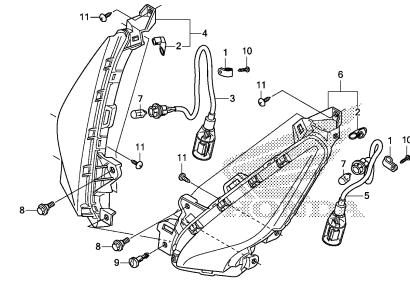
G13



F-37-10

FRONT WINKER

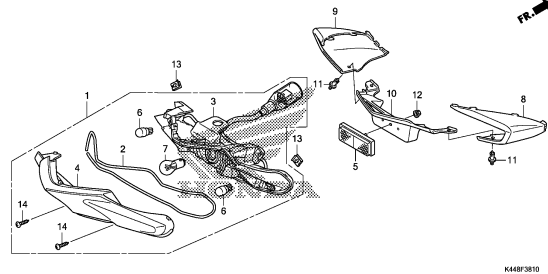
G14



F-38-10

REAR COMBINATION LIGHT

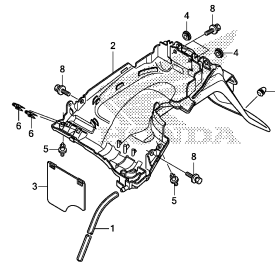
G15



F-39

REAR FENDER

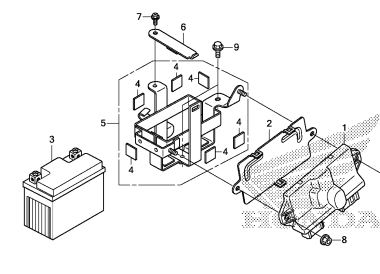
G16



F-40

BATTERY/ECU

H 1



3

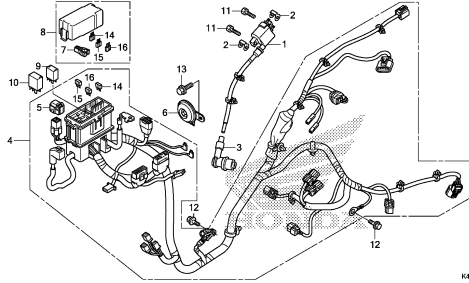
FRAME GROUP

C10

F-41

WIRE HARNESS

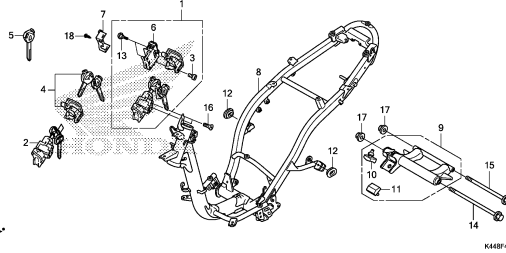
H 2



F-42

FRAME BODY

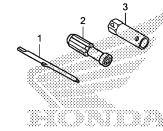
H 3



F-46

TOOLS

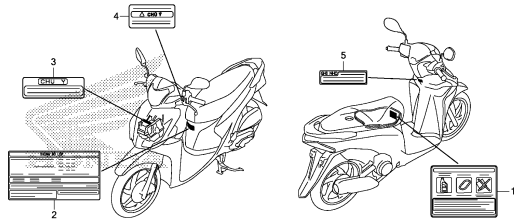
H 4



F-47

CAUTION LABEL

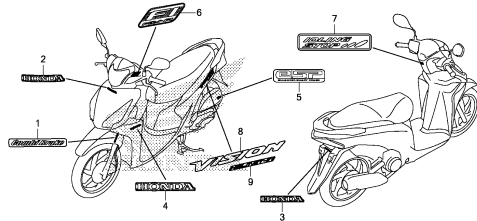
H 5



F-48

MARK

H 6

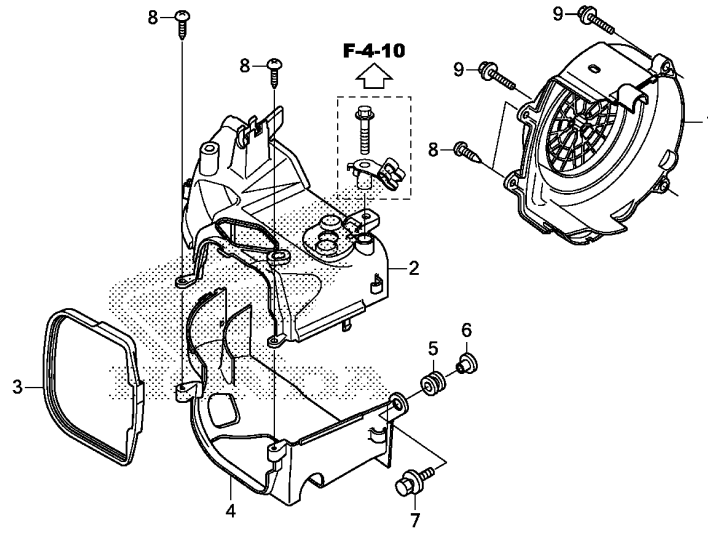


3

E-1

SHROUD/FAN COVER

D 1

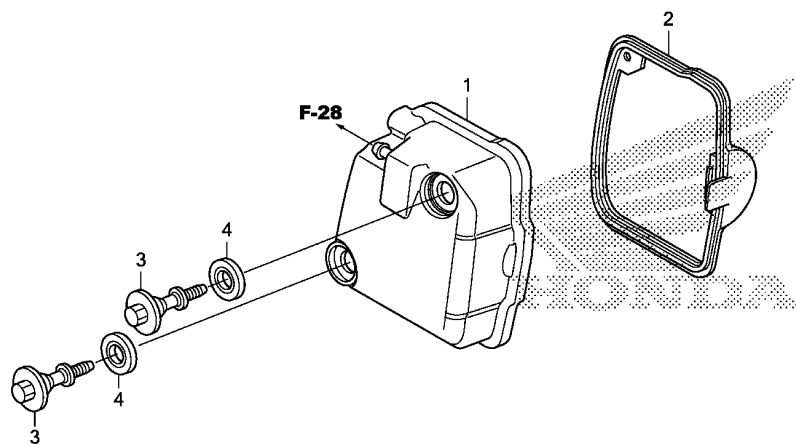


K448E0100

Ref. No.	L.O.N.	(Relative ref. Number) Description	F.R.T.
1	1151E0	COVER, FAN	0.1
2	1111U9	SHROUD, ENGINE :UPPER	0.8
4	1111V0	SHROUD, ENGINE :LOWER	0.6
	1111Y1	SHROUD, ENGINE :BOTH	1.0

Ref. No.	Part No.	Description	Reqd. QTY NSC110CBF F	Serial No.	Parts catalogue code
1	19610-K44-V00	COVER COMP., FAN	1		
2	19621-K44-V00	SHROUD, IN.	1		
3	19625-K44-V00	SEAL, SHROUD	1		
4	19631-K44-V00	SHROUD, EX.	1		
5	19639-GBC-000	RUBBER, MOUNTING	1		
6	33715-GB0-900	COLLAR, TAILLIGHT SETTING ...	1		
7	93404-06020-00	BOLT-WASHER, 6X20	1		
8	93903-25380	SCREW, TAPPING, 5X16	4		
9	96001-06025-07	BOLT, FLANGE, 6X25	2		

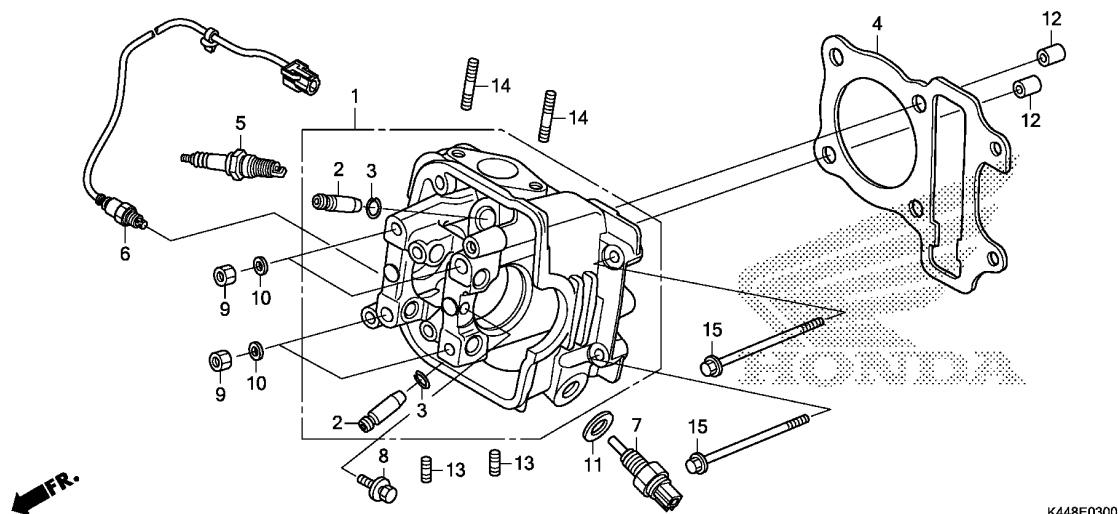
2



K448E0200

Ref. No.	L.O.N.	(Relative ref. Number) Description	F.R.T.
1	1111C4	COVER, CYLINDER HEAD	0.2
2	1111D2	GASKET, CYLINDER HEAD COVER ..	0.2

Ref. No.	Part No.	Description	Reqd. QTY NSC110CBF F	Serial No.	Parts catalogue code
1	12310-K44-V00	COVER COMP., HEAD	1		
2	12391-K44-V00	GASKET, HEAD COVER	1		
3	90017-GCC-000	BOLT, HEAD COVER	2		
4	90543-MV9-670	RUBBER, MOUNTING	2		



Ref. No.	L.O.N.	(Relative ref. Number) Description	F.R.T.
1	111106	HEAD, CYLINDERINCLUDES: Engine removal and installation .INCLUDES: Valve adjust and reface	3.5
2	1111L9	GUIDE, INTAKE VALVE(ONE)INCLUDES: Engine removal and installation .INCLUDES: Reaming .INCLUDES: Valve adjust and reface	3.2
	1111M0	GUIDE, EXHAUST VALVE(ONE)INCLUDES: Engine removal and installation .INCLUDES: Reaming .INCLUDES: Valve adjust and reface	3.2
	1111M9	GUIDE, VALVE :FOR 1 VEHICLE .. .INCLUDES: Engine removal and installation .INCLUDES: Reaming .INCLUDES: Valve adjust and reface	3.5
+ 4	111115	GASKET, CYLINDER HEAD	2.3

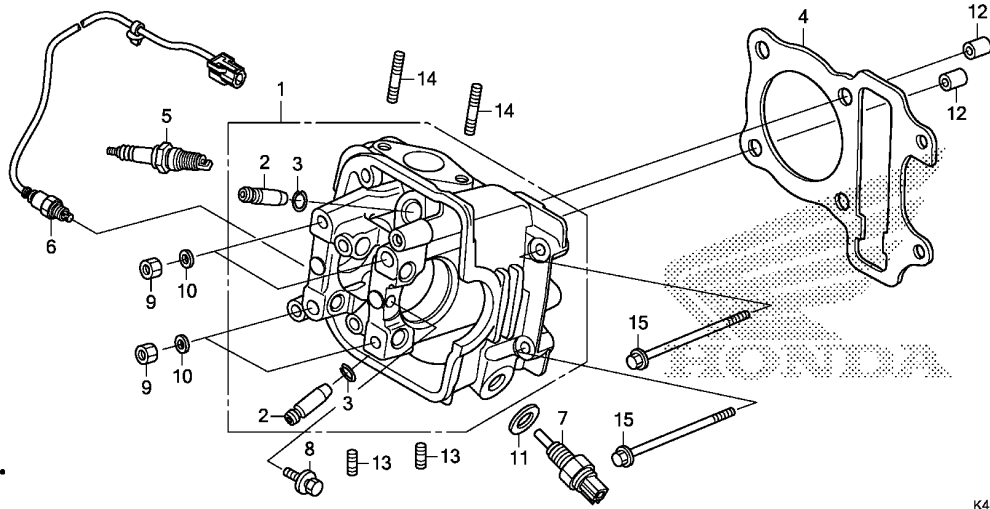
Ref. No.	Part No.	Description	Reqd. QTY NSC110CBF F	Serial No.	Parts catalogue code
1	12200-K44-V00	HEAD COMP., CYLINDER	1		
2	12204-KVY-305	GUIDE, VALVE(O.S.)	2		
3	12206-KPL-900	CLIP, VALVE GUIDE	2		
4	12251-GGC-901	GASKET, CYLINDER HEAD	1		
	12252-K44-V00	GASKET, CYLINDER HEAD (O.S. 0.75/1.00)	(1)		
5	31918-K44-V01	PLUG, SPARK(MR8C-9N)(NGK) ...	1		
6	36532-K44-V01	SENSOR, OXYGEN	1		
7	37750-KPH-701	SENSOR ASSY., THERMOSTAT OIL (PANASONIC)	1		
8	90014-GGC-900	BOLT-WASHER, 6X13	1		
9	90201-GCC-000	NUT, HEX., 7MM	4		
10	90401-GFM-900	WASHER, 7.2X16X2.5	4		
11	90443-MB0-000	WASHER, SEALING, 10MM	1		
12	90701-KFM-900	DOWEL PIN, SPECIAL, 8X14	2		
13	92900-06012-0B	BOLT, STUD, 6X12	2		
14	92900-06040-0B	BOLT, STUD, 6X40	2		
15	95701-06095-00	BOLT, FLANGE, 6X95	2		



E-3

CYLINDER HEAD

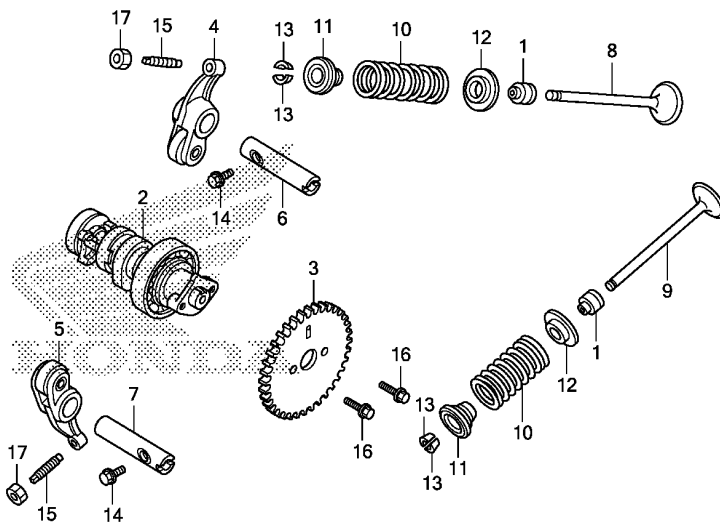
D 4



K448E0300

Ref. No.	L.O.N. (Relative ref. Number)	Description	F.R.T.
+ 4		.INCLUDES: Engine removal and installation	
5	614130	PLUG, SPARK	0.2
6	617121	SENSOR, OXYGEN	0.3
7	617151	SENSOR, OIL TEMPERATURE	0.2

2

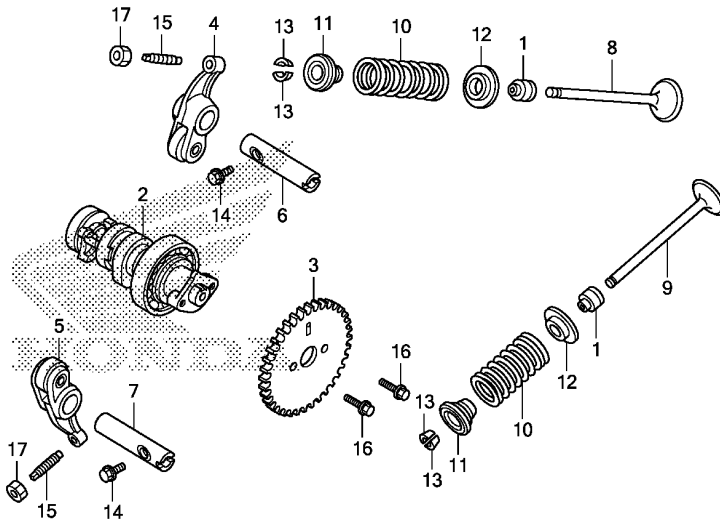


K448E0400

Ref. No.	L.O.N.	(Relative ref. Number) Description	F.R.T.
2	111118	CAMSHAFTINCLUDES: Valve adjustment	1.4
3	1111Q4	SPROCKET, CAM (6)	0.5
4	1111K8	ARM, INTAKE VALVE ROCKER(ONE) .INCLUDES: Engine removal and installation .INCLUDES: Valve adjustment	2.5
5	1111K9	ARM, EXHAUST VALVE ROCKER(ONE) .INCLUDES: Engine removal and installation .INCLUDES: Valve adjustment	2.5
	1111L8	ARM, VALVE ROCKER :FOR 1 VEHICLEINCLUDES: Engine removal and installation .INCLUDES: Valve adjustment	2.5
8	1111N0	VALVE, INTAKE(ONE)INCLUDES: Engine removal and installation .INCLUDES: Refacing	2.8
9	1111N1	VALVE, EXHAUST(ONE)INCLUDES: Engine removal and installation	2.8
+			

Ref. No.	Part No.	Description	Reqd. QTY	Serial No.	Parts catalogue code
			NSC110CBF F		
1	12209-GB4-681	SEAL, VALVE STEM(NOK)	2		
2	14100-K44-V00	CAMSHAFT COMP.	1		
3	14321-KZL-E00	SPROCKET, CAM(34T)	1		
4	14430-K44-V00	ARM COMP., IN. VALVE ROCKER ..	1		
5	14440-K44-V00	ARM COMP., EX. VALVE ROCKER ..	1		
6	14451-KYY-900	SHAFT, IN. ROCKER ARM	1		
7	14452-KYY-900	SHAFT, EX. ROCKER ARM	1		
8	14711-KVY-900	VALVE, IN.	1		
9	14721-KVY-900	VALVE, EX.	1		
10	14751-KWP-900	SPRING, VALVE	2		
11	14771-GB4-680	RETAINER, VALVE SPRING	2		
12	14775-KVY-900	SEAT, VALVE SPRING	2		
13	14781-MA6-000	COTTER, VALVE	4		
14	90002-KWB-600	BOLT, FLANGE, 5X12	2		
15	90012-KWW-740	SCREW, TAPPET ADJUSTING	2		
16	90083-GB6-911	BOLT, KNOCK, 5MM	2		
17	90206-001-000	NUT, TAPPET ADJUSTING	2		





FR.

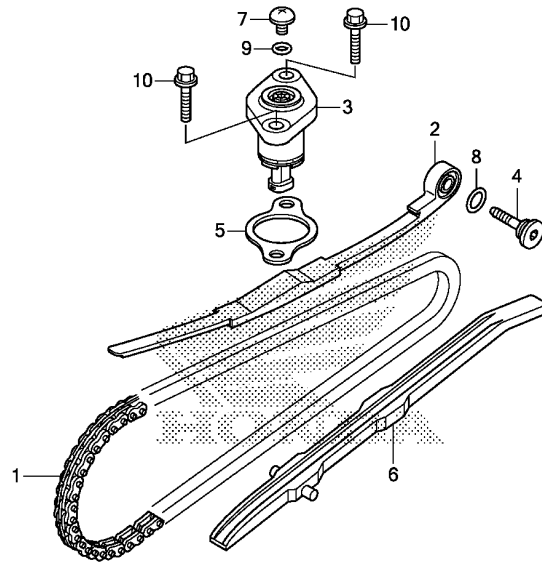
K448E0400

Ref. No.	L.O.N.	(Relative ref. Number) Description	F.R.T.
+ 9		.INCLUDES: Refacing VALVE :FOR 1 VEHICLE	3.0
10	1111P0	.INCLUDES: Engine removal and installation .INCLUDES: Refacing (1,11,12,13)	
	1111P2	INTAKE VALVE SPRING AND/OR STEM SEAL(ONE)	2.6
	1111P3	EXHAUST VALVE SPRING AND/OR STEM SEAL(ONE)	2.6
	1111Q2	VALVE SPRING AND/OR STEM SEAL :FOR 1 VEHICLE	2.7
		.INCLUDES: Engine removal and installation	

E-5

CAM CHAIN/TENSIONER

D 7

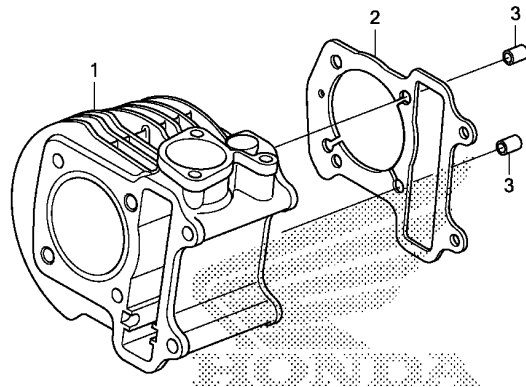


K448E0500

Ref. No.	L.O.N.	(Relative ref. Number) Description	F.R.T.
1	110140	CHAIN, CAMINCLUDES: Engine removal and installation	4.1
2	111130	TENSIONER, CAM CHAININCLUDES: Engine removal and installation	2.8
3	111133	LIFTER, TENSIONER (5)	0.9
6	111139	GUIDE, CAM CHAININCLUDES: Engine removal and installation	2.3

Ref. No.	Part No.	Description	Reqd. QTY	Serial No.	Parts catalogue code
			NSC110CBF F		
1	14401-KVB-901	CHAIN, CAM(90L)(DAIDO)	1		
2	14510-KVB-900	TENSIONER, CAM CHAIN	1		
3	14520-GFC-771	LIFTER ASSY., TENSIONER	1		
4	14531-KVY-900	PIVOT, CAM CHAIN TENSIONER ..	1		
5	14560-KCW-851	GASKET, TENSIONER LIFTER	1		
6	14611-K44-V00	GUIDE, CAM CHAIN	1		
7	90005-KY7-000	SCREW, PAN, 6X6	1		
8	91301-GRO-004	O-RING, 15.2X1.5	1		
9	91306-MG3-000	O-RING, 1.5X9.5	1		
10	95701-06022-00	BOLT, FLANGE, 6X22	2		

2



FR.

K448E0600

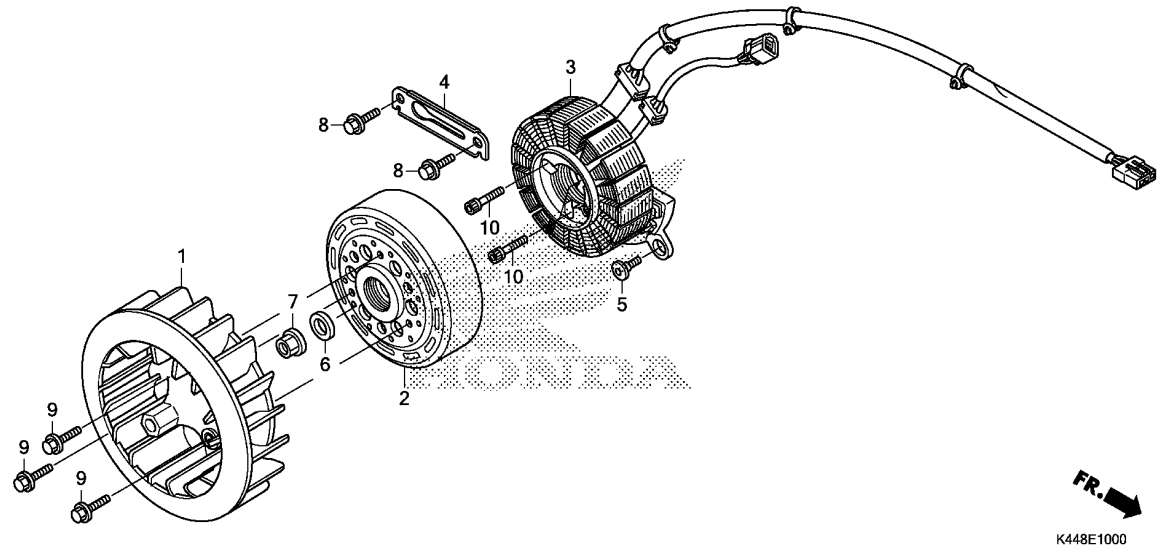
Ref. No.	L.O.N.	(Relative ref. Number) Description	F.R.T.
1	1111A5	CYLINDERINCLUDES: Engine removal and installation	2.7
2	111102	GASKET, CYLINDERINCLUDES: Engine removal and installation	2.6

Ref. No.	Part No.	Description	Reqd. QTY NSC110CBF F	Serial No.	Parts catalogue code
1	12100-K44-V00	CYLINDER COMP.	1		
2	12191-K44-V00	GASKET, CYLINDER	1		
3	90701-KFM-900	DOWEL PIN, SPECIAL, 8X14	2		

E-10

A.C.G. STARTER

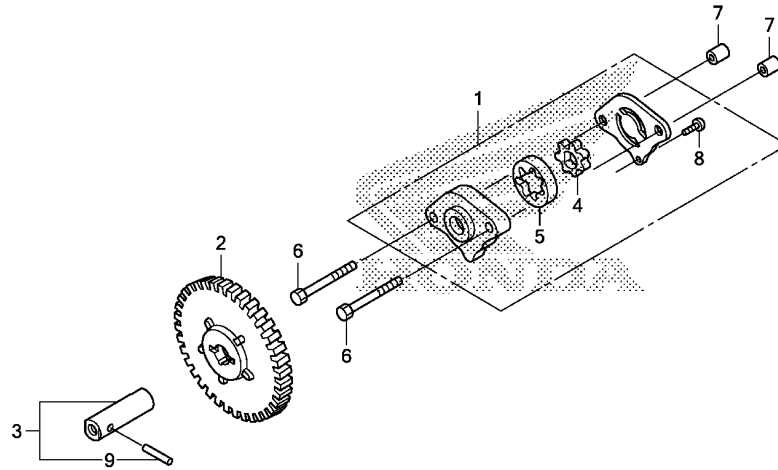
D 9



Ref. No.	L.O.N.	(Relative ref. Number) Description	F.R.T.
1	1151A6	FAN, COOLING	0.2
2	613105	ROTOR OR FLYWHEEL	0.4
3	6131A3	STATOR	1.0

Ref. No.	Part No.	Description	Reqd. QTY NSC110CBF F	Serial No.	Parts catalogue code
1	19510-K44-V00	FAN COMP., COOLING	1		
2	31210-K44-V01	FLYWHEEL COMP.	1		
3	31220-K44-V01	STATOR COMP.	1		
4	32961-K44-V00	CLAMPER, A.C. GENERATOR CORD	1		
5	90001-KWR-000	BOLT, SOCKET, 6X18	1		
6	90439-KWZ-900	WASHER, 12X24X2.3	1		
7	94050-12000	NUT, FLANGE, 12MM	1		
8	95701-06014-00	BOLT, FLANGE, 6X14	2		
9	95701-06016-00	BOLT, FLANGE, 6X16	3		
10	96700-06020-00	BOLT, SOCKET, 6X20	3		

2



FR. K448E1100

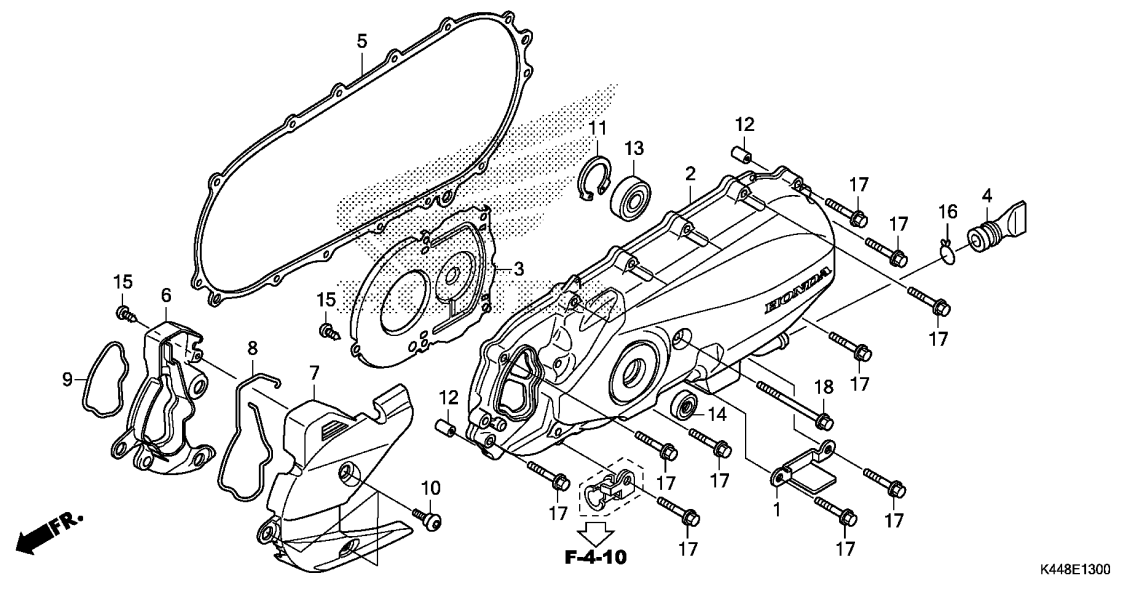
Ref. No.	L.O.N.	(Relative ref. Number) Description	F.R.T.
1		(4,5) PUMP ASSY., OIL	1.1
2	1131C4	GEAR, OIL PUMP DRIVEN	0.9

Ref. No.	Part No.	Description	Reqd. QTY NSC110CBF F	Serial No.	Parts catalogue code
1	15100-KVB-900	PUMP ASSY., OIL	1		
2	15133-KVY-900	GEAR, OIL PUMP DRIVEN(39T) ..	1		
3	15135-KVY-900	SHAFT COMP., OIL PUMP	1		
4	15331-KVB-900	ROTOR, OIL PUMP INNER	1		
5	15332-KVB-900	ROTOR, OIL PUMP OUTER	1		
6	90002-GFC-900	BOLT, HEX., 6X30	2		
7	90702-KFM-900	DOWEL PIN, 8X12	2		
8	93901-34120	SCREW, TAPPING, 4X8	1		
9	96220-30168	ROLLER, 3X16.8	1		

E-13

LEFT CRANKCASE COVER

D11



Ref. No.	L.O.N.	(Relative ref. Number) Description	F.R.T.
2	1101A6	COVER, CRANKCASE :LEFT	0.5
5	1101A3	GASKET, CRANKCASE COVER :LEFT	0.2
7		(6,8,9)	
	1101H4	DUCT, BELT COVER	0.1
13	2101F0	BEARING, DRIVESHAFT :LEFT	0.4
	2101J1	BEARING, DRIVESHAFT :BOTH	1.2
14	112105	OIL SEAL, KICK STARTER SPINDLE	0.2

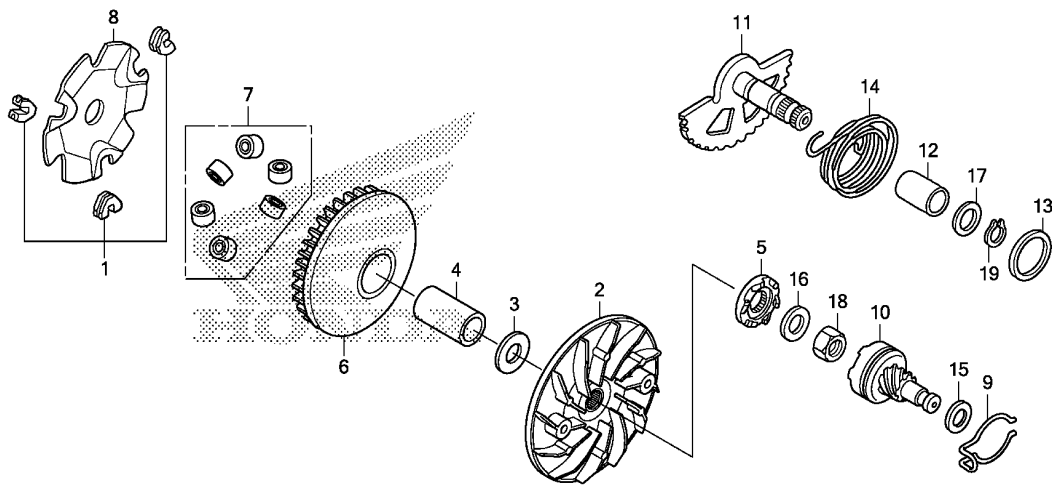
Ref. No.	Part No.	Description	Reqd. QTY	Serial No.	Parts catalogue code
			NSC110CBF F		
1	11230-KVB-900	COVER, VENT HOLE	1		
2	11340-K44-V00	COVER COMP., L. SIDE	1		
3	11342-KZL-930	PLATE, L. COVER	1		
4	11343-KVG-900	TUBE, DRAIN	1		
5	11395-K44-V00	GASKET, L. COVER	1		
6	19641-K44-V00	DUCT, L. COVER	1		
7	19642-K44-V00	CAP, L. COVER	1		
8	19748-K44-V00	SEAL, DUCT	1		
9	19749-KVY-900	SEAL, L. DUCT COVER	1		
10	90101-K29-900	BOLT, SOCKET, 6X18	3		
11	90601-KZL-930	CIRCLIP, INTERNAL, 32MM	1		
12	90702-KFM-900	DOWEL PIN, 8X12	2		
13	91005-KVB-900	BEARING COMP.(6002UU)(NTN) ..	1		
14	91211-PE9-003	OIL SEAL, 16X26X6(ARAI)	1		
15	93903-34320	SCREW, TAPPING, 4X12	6		
16	95002-80000	CLIP, TUBE(C12)	1		
17	96001-06035-00	BOLT, FLANGE, 6X35	13		
18	96001-06085-00	BOLT, FLANGE, 6X85	1		

2

E-16

DRIVE FACE

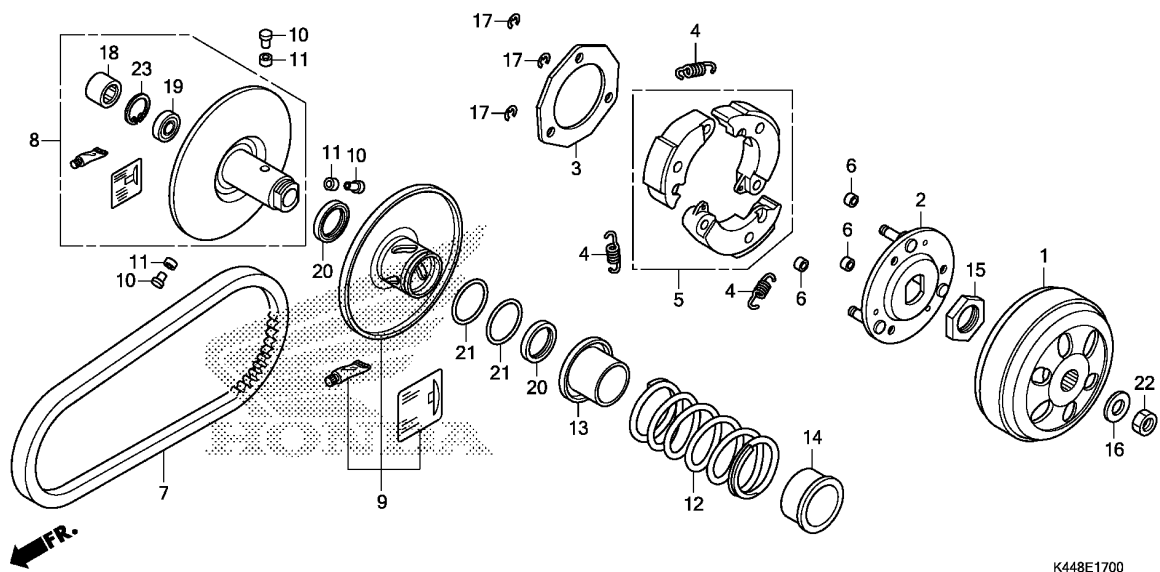
D12



K448E1600

Ref. No.	L.O.N.	(Relative ref. Number) Description	F.R.T.
2	2111A0	FACE, DRIVE	0.4
6	2111A1	FACE, MOVABLE DRIVE	0.4
7		(1,8)	
10	2111A4	ROLLER, WEIGHT	0.4
		(9)	
	1121A9	GEAR, KICK STARTER DRIVEN	0.2
11	1121A2	SPINDLE, KICK STARTER	0.4
14	112103	SPRING, KICK STARTER RETURN ..	0.4

Ref. No.	Part No.	Description	Reqd. QTY	Serial No.	Parts catalogue code
			NSC110CBF F		
1	22011-KVB-T00	PIECE SET, SLIDE	1		
2	22102-K44-V00	FACE, DRIVE	1		
3	22103-K44-V00	WASHER, 15X25X2	1		
4	22105-K44-V00	BOSS, DRIVE FACE	1		
5	22109-KZL-840	RATCHET, STARTER	1		
6	22110-K44-V00	FACE COMP., MOVABLE DRIVE ...	1		
7	22123-K44-V00	ROLLER SET, WEIGHT	1		
8	22131-KVB-900	PLATE, RAMP	1		
9	28223-KZL-840	SPRING, KICK DRIVEN GEAR	1		
10	28230-KZL-840	GEAR COMP., KICK DRIVEN(7T) -	1		
11	28250-KZR-600	SPINDLE COMP., KICK STARTER -	1		
12	28253-KVB-900	BUSH, KICK SPINDLE	1		
13	28255-GS6-000	COLLAR, KICK BOSS	1		
14	28281-KZL-C00	SPRING, KICK RETURN	1		
15	90412-KZL-840	WASHER, THRUST, 10MM	1		
16	90426-KZL-840	WASHER, SPECIAL, 14MM	1		
17	90439-443-740	WASHER, 16X22	1		
18	94030-14200	NUT, HEX., 14MM	1		
19	94511-16000	CIRCLIP, EXTERNAL, 16MM	1		

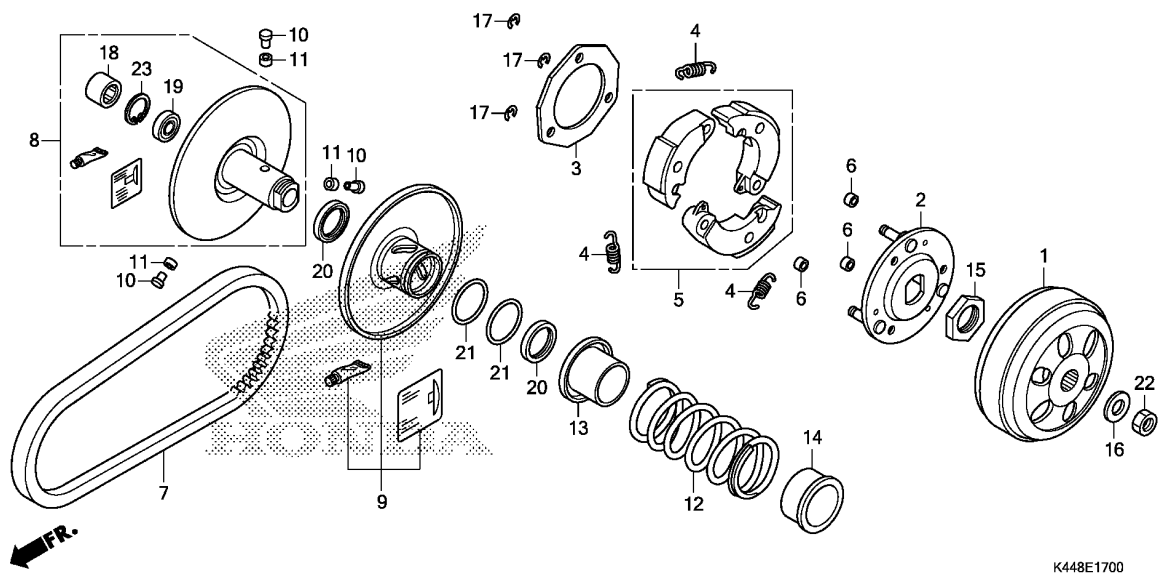


Ref. No.	L.O.N.	(Relative ref. Number) Description	F.R.T.
1	2121A0	OUTER, CLUTCH	0.3
5		(2,4)	
5	2121A6	WEIGHT SET, CLUTCH	0.6
7	2111B2	BELT, DRIVE	0.4
8		(10,11,13)	
8	2111A2	FACE, DRIVEN	0.5
9		(20,21)	
9	2111A3	FACE, MOVABLE DRIVEN	0.5
12	2111A7	SPRING, DRIVEN FACE	0.5
18		(19)	
18	2111A8	BEARING, DRIVEN FACE	0.6
18	2111A8A	.Replace 1 bearing add	0.1

K448E1700

Ref. No.	Part No.	Description	Reqd. QTY	Serial No.	Parts catalogue code
			NSC110CBF F		
1	22100-K16-900	OUTER COMP., CLUTCH	1		
2	22350-K44-V01	PLATE COMP., DRIVE	1		
3	22361-K44-V01	PLATE, CLUTCH SIDE	1		
4	22401-GCC-000	SPRING, CLUTCH	3		
5	22535-K44-V00	WEIGHT SET, CLUTCH	1		
6	22804-148-000	RUBBER, CLUTCH DAMPER	3		
7	23100-K44-V01	BELT, DRIVE	1		
8	23205-K44-V00	FACE SET, DRIVEN	1		
9	23224-K44-V00	FACE SET, MOVABLE DRIVEN	1		
10	23225-KSY-900	PIN, ROLLER GUIDE	3		
11	23226-KVB-900	ROLLER, GUIDE	3		
12	23233-K44-V00	SPRING, DRIVEN FACE	1		
13	23237-GY6-940	COLLAR, SEAL	1		
14	23238-GCC-000	COLLAR, SPRING	1		
15	90202-KN7-670	NUT, SPECIAL, 28MM	1		
16	90441-GY6-940	WASHER, 12.2X29X2.5	1		
17	90454-GB2-000	CIRCLIP, 6MM	3		
18	91001-KCW-003	BEARING, NEEDLE, 20X29X18 (NTN)	1		
	91109-KVY-901	BEARING, NEEDLE, 20X29X18 (SCHAEFFLER)	1		
19	91002-GA7-701	BEARING, RADIAL BALL, 6902U (NTN)	1		
	91002-GA7-702	BEARING, RADIAL BALL, 6902U (FUJIKOSHI)	1		
	91009-KVY-961	BEARING, RADIAL BALL, 6902U (NSK)	1		





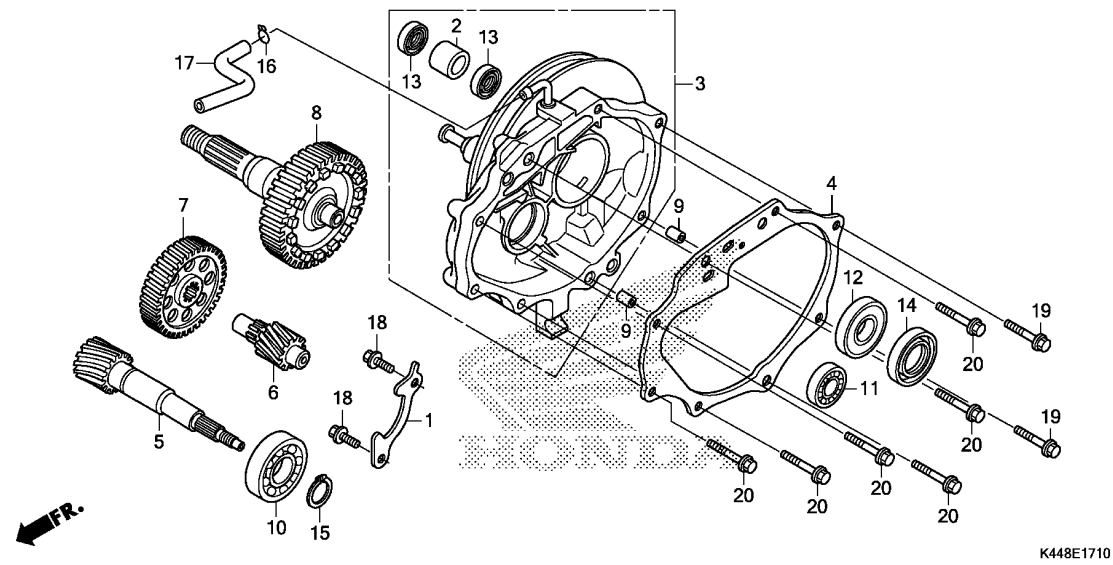
Ref. No.	Part No.	Description	Reqd. QTY	Serial No.	Parts catalogue code
			NSC110CBF		
			F		
20	91211-K44-V01	SEAL, DRIVEN FACE, 34X41X4 ..	2		
21	91384-KVB-900	O-RING, 38.8X1.9	2		
22	94030-12200	NUT, HEX., 12MM	1		
23	94520-28000	CIRCLIP, INTERNAL, 28MM	1		

2

E-17-10

TRANSMISSION

D15



Ref. No.	L.O.N.	(Relative ref. Number) Description	F.R.T.
3	2101A2	CASE, TRANSMISSION	1.1
4	2101A3	GASKET, TRANSMISSION CASE	0.8
5	2101E9	SHAFT, DRIVE	1.1
6	210142	COUNTERSHAFT, TRANSMISSION ...	0.8
7	2101A5	GEAR, COUNTER	0.8
8	210170	SHAFT, FINAL GEAR	0.8
10	2101F1	BEARING, DRIVESHAFT :RIGHT ...	1.1
	2101J1	BEARING, DRIVESHAFT :BOTH	1.2
11	2101C8	BEARING, COUNTERSHAFT :RIGHT ..	1.0
	2101C9	BEARING, COUNTERSHAFT :BOTH ..	1.1
12	2101E6	BEARING, FINAL GEAR SHAFT	
		:RIGHT	1.0
	2101J0	BEARING, FINAL GEAR SHAFT	
		:BOTH	1.1

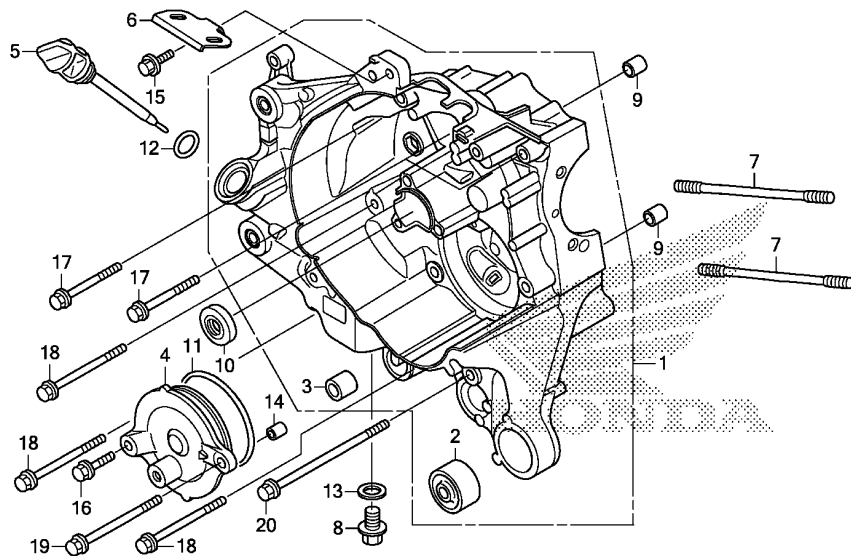
Ref. No.	Part No.	Description	Reqd. QTY NSC110CBF F	Serial No.	Parts catalogue code
1	11108-KZL-930	PLATE, MISSION BEARING SETTING	1		
2	11204-KGF-900	SLEEVE, RR. BRAKE CAM	1		
3	21200-K44-V00	CASE COMP., TRANSMISSION	1		
4	21395-KVB-901	GASKET, MISSION CASE	1		
5	23411-KZL-930	SHAFT, DRIVE(18T)	1		
6	23421-K44-V00	COUNTERSHAFT(12T)	1		
7	23422-KVG-900	GEAR, COUNTER(51T)	1		
8	23430-K44-V00	GEAR COMP., FINAL(45T)	1		
9	90702-KFM-900	DOWEL PIN, 8X12	2		
10	91003-KZR-601	BEARING, RADIAL BALL, 6204 (NTN)	1		
11	91006-KZR-601	BEARING, RADIAL BALL, 6201 (NTN)	1		
12	91009-K44-V01	BEARING, RADIAL BALL, 60/22 UU (JTEKT)	1		
13	91201-434-003	OIL SEAL, 14X20X3.2	2		
14	91204-K44-V01	OIL SEAL, 29X44X7(ARAI)	1		
15	94510-20000	CIRCLIP, EXTERNAL, 20MM	1		
16	95002-50000	CLIP, TUBE(C9)	1		
17	95005-50125-30	TUBE, 5X125	1		
18	95701-06014-00	BOLT, FLANGE, 6X14	2		
19	95701-06030-00	BOLT, FLANGE, 6X30	2		
20	95701-06040-00	BOLT, FLANGE, 6X40	6		



E-19-10

RIGHT CRANKCASE

D16



FR. →
K448E1910

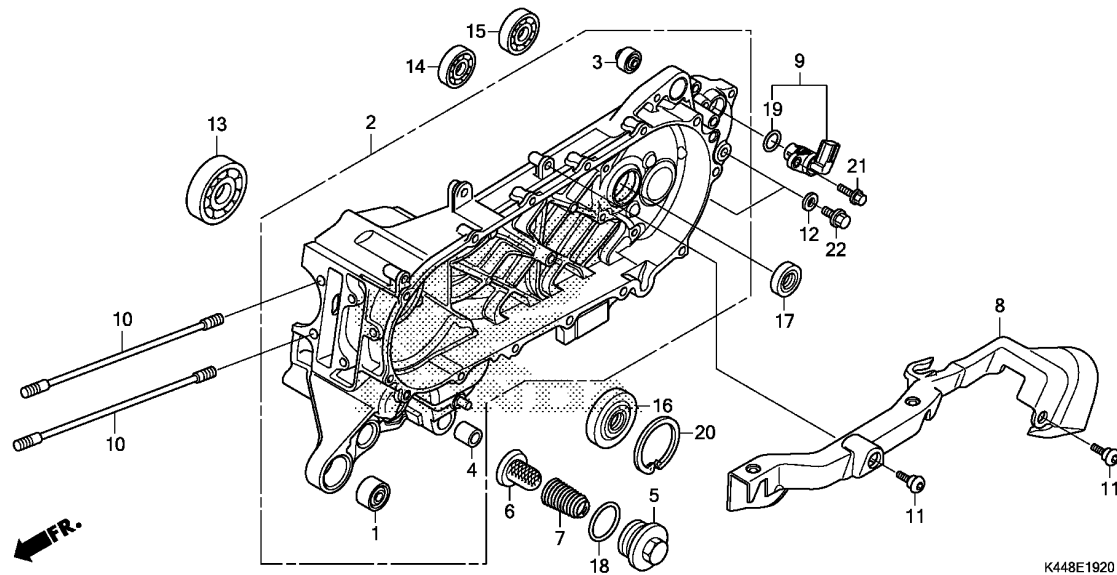
Ref. No.	L.O.N.	(Relative ref. Number) Description	F.R.T.
1	110120	CRANKCASE :RIGHTINCLUDES: Engine removal and installation	4.0
	1101A2	CRANKCASE :BOTHINCLUDES: Engine removal and installation	5.1
10	110132	OIL SEAL, CRANKSHAFT :RIGHT .. .INCLUDES: Engine removal and installation	3.8
	1101H3	OIL SEAL, CRANKSHAFT :BOTHINCLUDES: Engine removal and installation	4.2

Ref. No.	Part No.	Description	Reqd. QTY	Serial No.	Parts catalogue code
			NSC110CBF F		
1	11100-K44-V00	CRANKCASE COMP., R.	1		
2	11103-KVB-901	BUSH, ENGINE HANGER RUBBER (HOKUSHIN)	1		
	11103-KVB-930	BUSH, ENGINE HANGER RUBBER ..	1		
	11216-GGC-900	1		
3	11205-GBC-300	BUSH, MAINSTAND	1		
4	11361-K44-V00	COVER, OIL PUMP	1		
5	15651-K44-V00	GAUGE, OIL LEVEL	1		
6	32962-K44-V00	CLAMP, ENGINE HARNESS	1		
7	90031-K44-V00	BOLT A, STUD, 7X192.5	2		
8	90131-883-000	BOLT, DRAIN PLUG, 12X15	1		
9	90702-KZL-930	PIN, SPECIAL DOWEL, 6.3X10X12	2		
10	91201-K44-V01	OIL SEAL, 20.8X30.5X6 (ARAI) ..	1		
11	91301-K44-V00	O-RING, 61X2	1		
12	91307-035-000	O-RING, 18X3	1		
13	94109-12000	WASHER, DRAIN PLUG, 12MM	1		
14	94301-08100	DOWEL PIN, 8X10	1		
15	95701-06014-00	BOLT, FLANGE, 6X14	1		
16	95701-06020-00	BOLT, FLANGE, 6X20	1		
17	95701-06055-00	BOLT, FLANGE, 6X55	3		
18	95701-06080-00	BOLT, FLANGE, 6X80	3		
19	95701-06090-00	BOLT, FLANGE, 6X90	1		
20	95701-06115-00	BOLT, FLANGE, 6X115	1		

E-19-20

LEFT CRANKCASE

E 1



Ref. No.	L.O.N.	(Relative ref. Number) Description	F.R.T.
2	110115	CRANKCASE :LEFTINCLUDES: Engine removal and installation	4.9
	1101A2	CRANKCASE :BOTHINCLUDES: Engine removal and installation	5.1
6	1131B5	SCREEN, OIL FILTER (5,7,18)	0.2
9	617197	SENSOR, WHEEL SPEED :REAR	0.4
13	1101B6	BEARING, CRANKSHAFT :LEFTINCLUDES: Engine removal and installation	4.1
14	2101C7	BEARING, COUNTERSHAFT :LEFT ..	1.0
	2101C9	BEARING, COUNTERSHAFT :BOTH ..	1.1
15	2101E5	BEARING, FINAL GEAR SHAFT :LEFT	1.0
	2101J0	BEARING, FINAL GEAR SHAFT :BOTH	1.1
16	110131	OIL SEAL, CRANKSHAFT :LEFTINCLUDES: Engine removal and installation	4.1
	1101H3	OIL SEAL, CRANKSHAFT :BOTHINCLUDES: Engine removal and installation	4.2

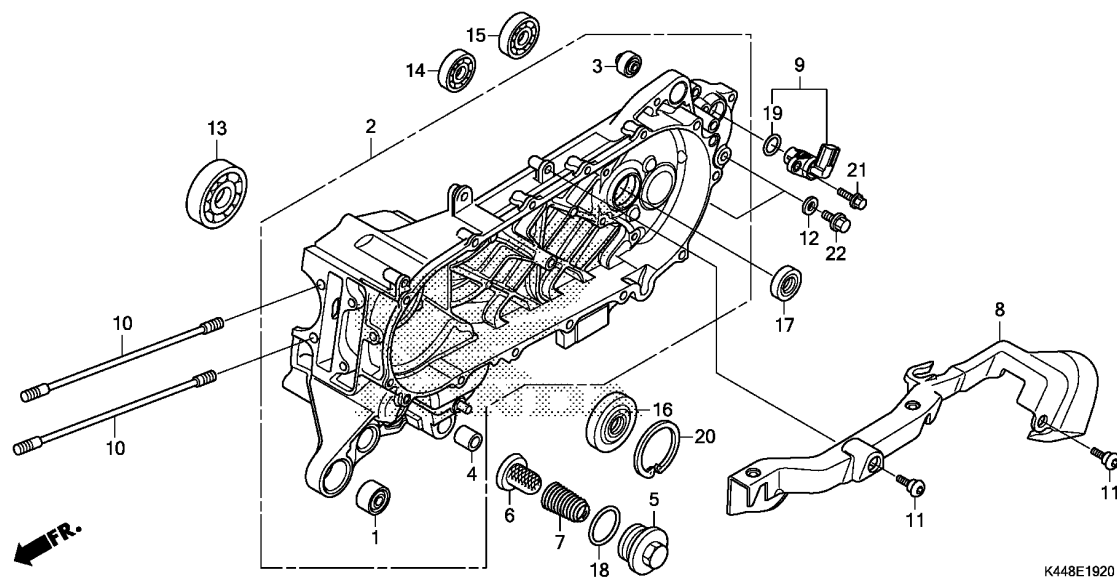
Ref. No.	Part No.	Description	Reqd. QTY	Serial No.	Parts catalogue code
			NSC110CBF		
			F		
1	11103-KVB-901	BUSH, ENGINE HANGER RUBBER (HOKUSHIN)	1		
	11103-KVB-930	BUSH, ENGINE HANGER RUBBER ..	1		
	11216-GGC-900	1		
2	11200-K44-V00	CRANKCASE COMP., L.	1		
3	11203-K35-J00	BUSH, RR. CUSHION UNDER RUBBER	1		
	11203-KVB-901	BUSH, RR. CUSHION UNDER RUBBER (HOKUSHIN)	1		
4	11205-GBC-300	BUSH, MAINSTAND	1		
5	12361-035-000	CAP, TAPPET ADJUSTING HOLE ..	1		
6	15421-107-000	SCREEN, OIL FILTER	1		
	15421-KPL-900	1		
7	15426-KVB-900	SPRING, OIL FILTER SCREEN ...	1		
8	32112-K44-V00	PROTECTOR, SPEED SENSOR	1		
9	37700-K27-V01	SENSOR ASSY., SPEED	1		
10	90032-K44-V00	BOLT B, STUD, 7X197	2		
11	90101-K29-900	BOLT, SOCKET, 6X18	2		
12	90474-333-000	WASHER, SEALING, 8MM	2		
13	91002-K44-V01	BEARING, RADIAL BALL SPECIAL, 6007(NACHI)	1		
14	91005-KZR-601	BEARING, RADIAL BALL, 6301 (NTN)	1		
15	91008-KZR-601	BEARING, RADIAL BALL, 6302 (NTN)	1		
16	91202-K44-V01	OIL SEAL, 20.8X52X6X7.5(ARAI)	1		
17	91203-K35-J01	OIL SEAL, 20X32X6	1		

2

E-19-20

LEFT CRANKCASE

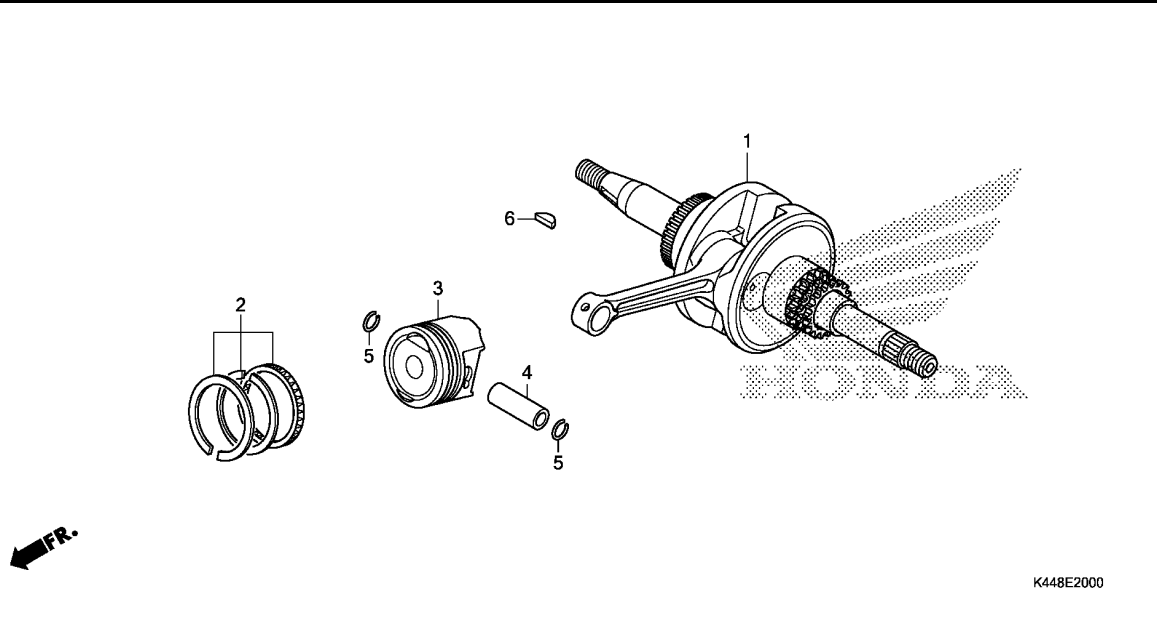
E 2



Ref. No.	L.O.N.	(Relative ref. Number)	Description	F.R.T.
17	2101E7		OIL SEAL, DRIVESHAFT	1.1

Ref. No.	Part No.	Description	Reqd. QTY	Serial No.	Parts catalogue code
			NSC110CBF F		
18	91302-001-020	O-RING, 30.8MM	1		
19	91303-K27-V01	O-RING, 14.8X2.4	1		
20	94520-52150	CIRCLIP, INTERNAL, 52MM	1		
21	95701-06016-00	BOLT, FLANGE, 6X16	1		
22	95701-08012-00	BOLT, FLANGE, 8X12	2		

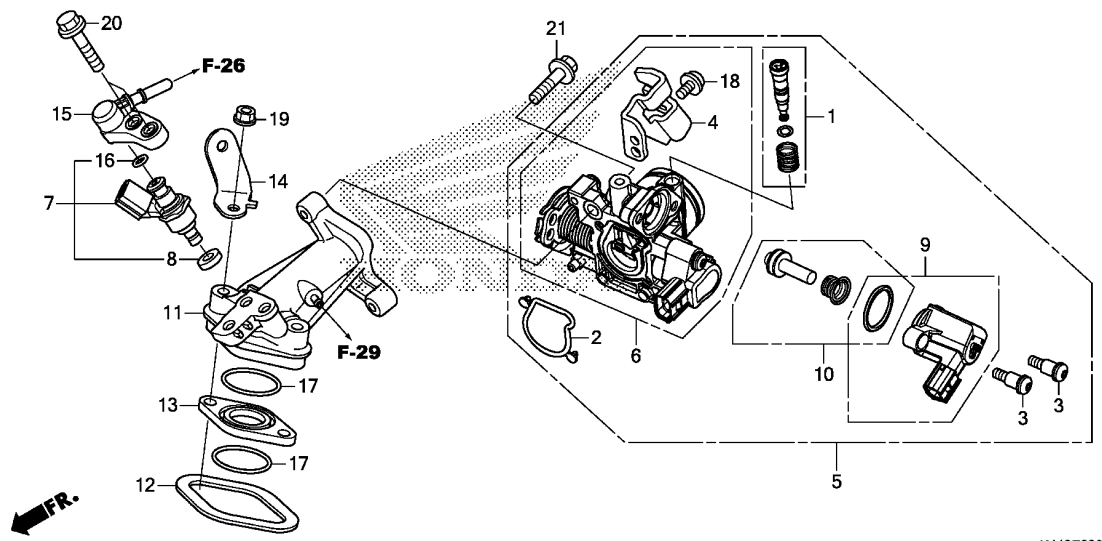
2



Ref. No.	L.O.N.	(Relative ref. Number) Description	F.R.T.
1	1101B5	CRANKSHAFTINCLUDES: Engine removal and installation (2,4,5)	4.3
3	111103	PISTON RING AND/OR PISTON(ONE)INCLUDES: Engine removal and installation	2.8

Ref. No.	Part No.	Description	Reqd. QTY	Serial No.	Parts catalogue code
			NSC110CBF F		
1	13000-K44-V00	CRANKSHAFT COMP.	1		
2	13011-K44-V00	RING SET, PISTON(STD.) (RIKEN)	1		
	13021-K44-V00	RING SET, PISTON(0.25) (RIKEN)	(1)		
	13031-K44-V00	RING SET, PISTON(0.50) (RIKEN)	(1)		
	13041-K44-V00	RING SET, PISTON(0.75) (RIKEN)	(1)		
	13051-K44-V00	RING SET, PISTON(1.00) (RIKEN)	(1)		
3	13101-K44-V00	PISTON(STD.)	1		
	13102-K44-V00	PISTON(0.25)	(1)		
	13103-K44-V00	PISTON(0.50)	(1)		
	13104-K44-V00	PISTON(0.75)	(1)		
	13105-K44-V00	PISTON(1.00)	(1)		
4	13111-KWN-900	PIN, PISTON	1		
5	13115-GN5-910	CLIP, PISTON PIN, 13MM	2		
6	90741-003-010	KEY, WOODRUFF, 4MM	1		





K448E2200

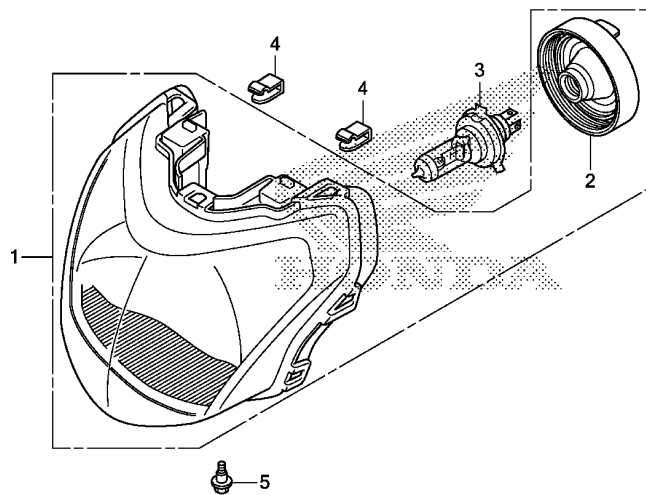
Ref. No.	L.O.N.	(Relative ref. Number) Description	F.R.T.
5	311132	BODY ASSY., THROTTLE	0.4
6	311130	BODY, THROTTLE	0.5
7		(8,15,16)	
	311145	INJECTOR, FUEL	0.4
9	311125	VALVE, STARTER	0.6
11		(13,17)	
	111107	MANIFOLD, INTAKE	0.5

Ref. No.	Part No.	Description	Reqd. QTY	Serial No.	Parts catalogue code
			NSC110CBF F		
1	16016-K03-H11	SCREW SET	1		
2	16075-K25-901	O-RING, THROTTLE BODY	1		
3	16081-KPH-701	SCREW, TORX, 5X8.7	2		
4	16169-GGZ-J01	STAY, WIRE	1		
5	16400-K44-V01	THROTTLE BODY ASSY.(GQRWA A)	1		
6	16410-K44-V01	BODY SET	1		
7	16450-K03-H11	INJECTOR ASSY., FUEL	1		
8	16472-KPC-D50	RING, SEAL	1		
9	16480-KVB-S51	SOLENOID	1		
10	16485-GGZ-J01	SEAT SET	1		
11	17110-K44-V00	PIPE COMP., IN.	1		
12	17113-GGC-900	RUBBER, IN. PIPE SEAL	1		
13	17119-GGC-900	INSULATOR, IN. PIPE	1		
14	17120-K44-V00	STAY, FUEL HOSE	1		
15	17560-K44-V00	JOINT COMP., INJECTOR	1		
16	91301-GGL-J01	O-RING, 6.3X2.2	1		
17	91308-GFM-900	O-RING, 25.5X1.9	2		
18	93892-05012-18	SCREW-WASHER, 5X12	1		
19	94050-06000	NUT, FLANGE, 6MM	2		
20	95701-06022-00	BOLT, FLANGE, 6X22	2		
21	96001-06020-00	BOLT, FLANGE, 6X20	2		

F-1

HEADLIGHT

F 1

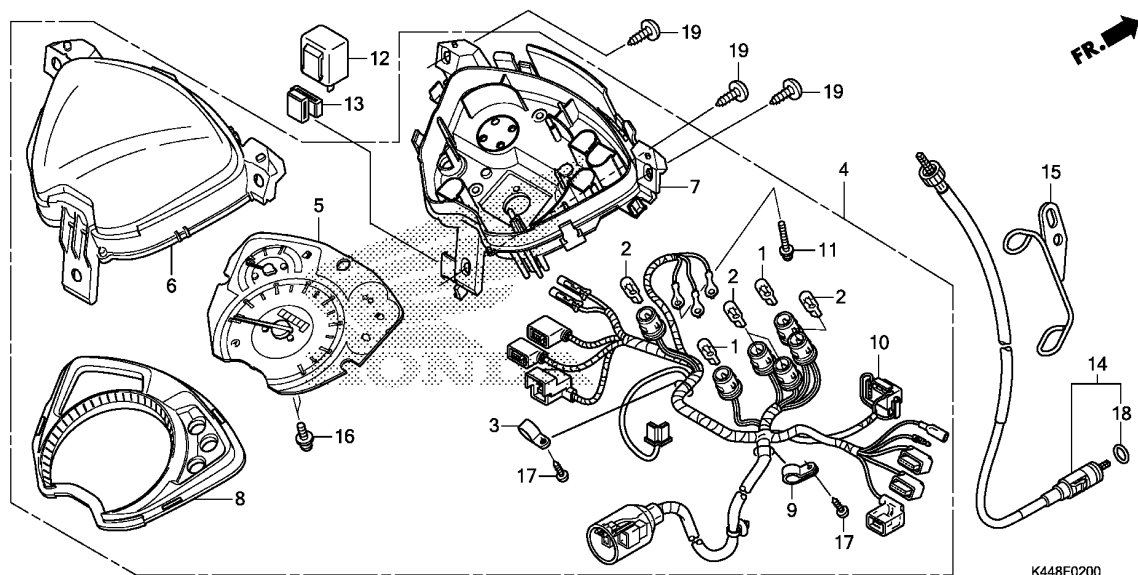


K448F0100

Ref. No.	L.O.N.	(Relative ref. Number) Description	F.R.T.
1	6161A7	HEADLIGHT UNIT	0.4
3		(2)	
	616118	BULB, HEADLIGHT	0.3

Ref. No.	Part No.	Description	Reqd. QTY NSC110CBF F	Serial No.	Parts catalogue code
1	33101-K44-V01	HEADLIGHT UNIT	1		
2	33102-K44-V01	COVER, RUBBER	1		
3	34901-KFV-671	BULB, HEADLIGHT(HS1) (12V 35/35W)	1		
4	53209-GAH-000	CLIP, HEADLIGHT	2		
5	90101-KZL-930	BOLT, ADJUSTING	1		

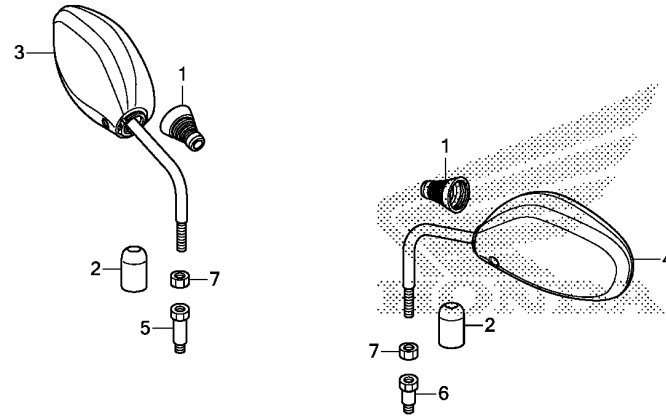
3



Ref. No.	L.O.N.	(Relative ref. Number) Description	F.R.T.
1		(2) BULB, METER	0.6
	6161G3	.NOTE: Same time for two units or more	
4	8121A1	METER ASSY., COMBINATION	1.1
5	8121A2	METER, COMBINATION	0.8
6	8121B7	LENS, METER	0.7
7	8121B3	CASE, METER	0.7
8	4131A3	PLATE, REFLECTING	0.7
10	6161G4	SOCKET ASSY., METER BULB	1.1
12	6111C3	RELAY, WINKER	0.7
14	811160	CABLE, SPEEDOMETER	0.4

3

Ref. No.	Part No.	Description	Reqd. QTY	Serial No.	Parts catalogue code
			NSC110CBF F		
1	34908-GA7-701	BULB, WEDGE BASE(T10) (12V 3.4W)(NIPPON SEIKI)	2		
	34909-KVR-600	BULB, WEDGE BASE(T10) (12V 3.4W)(TOSHIBA)	2		
2	34908-KVE-900	BULB, WEDGE BASE(T10) (12V 1.7W)(TOSHIBA)	4		
	34908-MB9-871	BULB, WEDGE BASE(T10) (12V 1.7W)(STANLEY)	4		
3	37121-KV3-008	CLAMP	1		
4	37200-K44-V01	METER ASSY., COMBINATION(KPH)	1		
5	37210-K44-V01	SPEEDOMETER COMP.	1		
6	37211-K44-V01	LENS	1		
7	37212-K44-V01	CASE ASSY.	1		
8	37214-K44-V01	PLATE ASSY., REFLECTING	1		
9	37215-MB6-831	CLAMP	1		
10	37224-K44-V01	SOCKET COMP.	1		
11	37305-KE5-008	SCREW-WASHER, 3X22	3		
12	38301-GBG-911	RELAY COMP., WINKER (PT.MITSUBA)	1		
13	38306-GE7-000	SUSPENSION, WINKER RELAY	1		
14	44830-KZL-E00	CABLE COMP., SPEEDOMETER	1		
15	44832-K16-900	GUIDE, SPEEDOMETER CABLE	1		
16	90035-166-008	SCREW-WASHER, SPECIAL, 4X10 ..	2		
17	90109-MZ5-008	SCREW, TAPPING, 4X14	2		
18	91256-KK3-840	O-RING, 10X1.5	1		
19	93903-35310	SCREW, TAPPING, 5X16	3		



FR.

K448F0300

Ref. L.O.N. (Relative ref. Number) F.R.T.
No. Description

NO INFORMATION

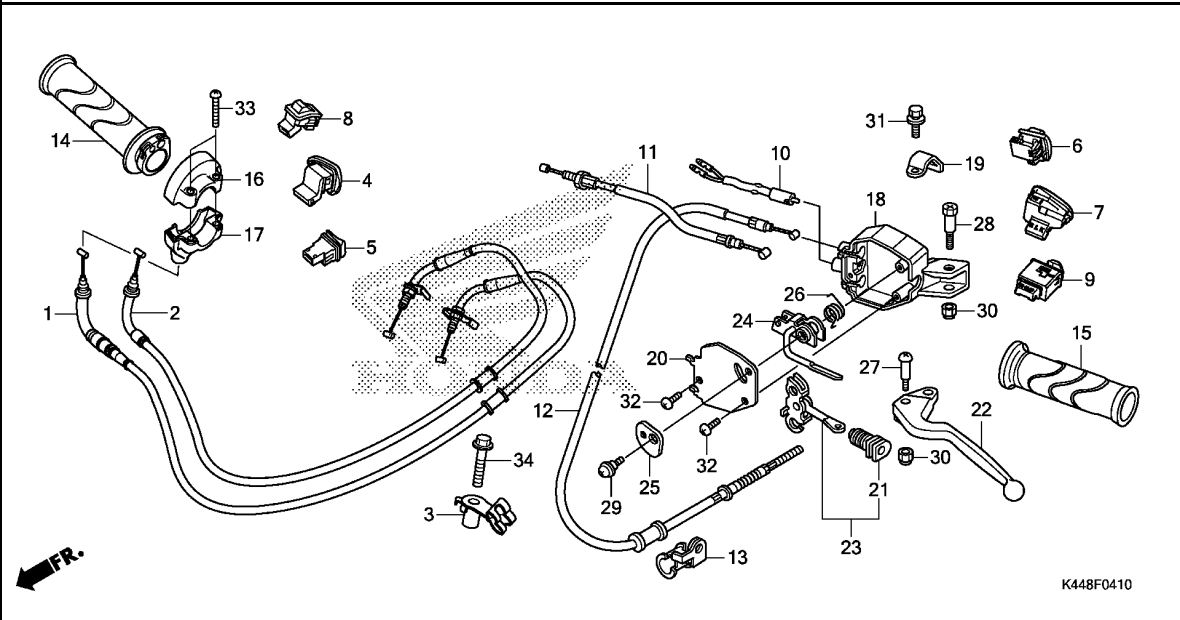
Ref. No.	Part No.	Description	Reqd. QTY	Serial No.	Parts catalogue code
			NSC110CBF F		
1	88115-KVG-V40	BOOT, MIRROR UPPER	2		
2	88119-K12-900	CAP, LOCK NUT	2		
3	88210-K44-V00	MIRROR COMP., R.	1		
4	88220-K44-V00	MIRROR COMP., L.	1		
5	90003-KFL-710	BOLT, ADAPTER, 10MM	1		
6	90003-MY5-720	BOLT, ADAPTER, 10MM	1		
7	90201-MW3-620	NUT, HEX., 10MM (LEFT HAND THREAD)	2		

3

F-4-10

HANDLE LEVER/SWITCH/CABLE

F 4



Ref. No.	L.O.N.	(Relative ref. Number) Description	F.R.T.
1		(2)	
	811100	CABLE, THROTTLE	1.4
.NOTE: Same time for two units			
4	6151C1	SWITCH, LIGHTING	0.6
5	615116	SWITCH, STARTER	0.6
6	615117	SWITCH, DIMMER	0.6
7	6151A3	SWITCH, HORN	0.6
8	6151C4	SWITCH, IDLE	0.6
9	615118	SWITCH, WINKER	0.6
10	6151B3	SWITCH, REAR STOP :LEVER SIDE	0.6
	6151B6	SWITCH, STOP :BOTH	0.7
11	8111B9	CABLE, FRONT BRAKE CONNECTING	0.7
12	811130	CABLE, REAR BRAKE	0.9
14	810150	GRIP, THROTTLE	0.8
15	8101C0	GRIP, HANDLE :LEFT	0.1
17	810155	HOUSING, THROTTLE	0.8
18	8101C8	BRACKET, HANDLE LEVER :LEFT ..	0.7
22	8101C6	LEVER, HANDLE :LEFT	0.4
	8101F5	LEVER, HANDLE :BOTH	0.5
23	8101D1	EQUALIZER, BRAKE CABLE	0.7
24		(26)	
	8101D2	LEVER, REAR BRAKE LOCK	0.4

K448F0410

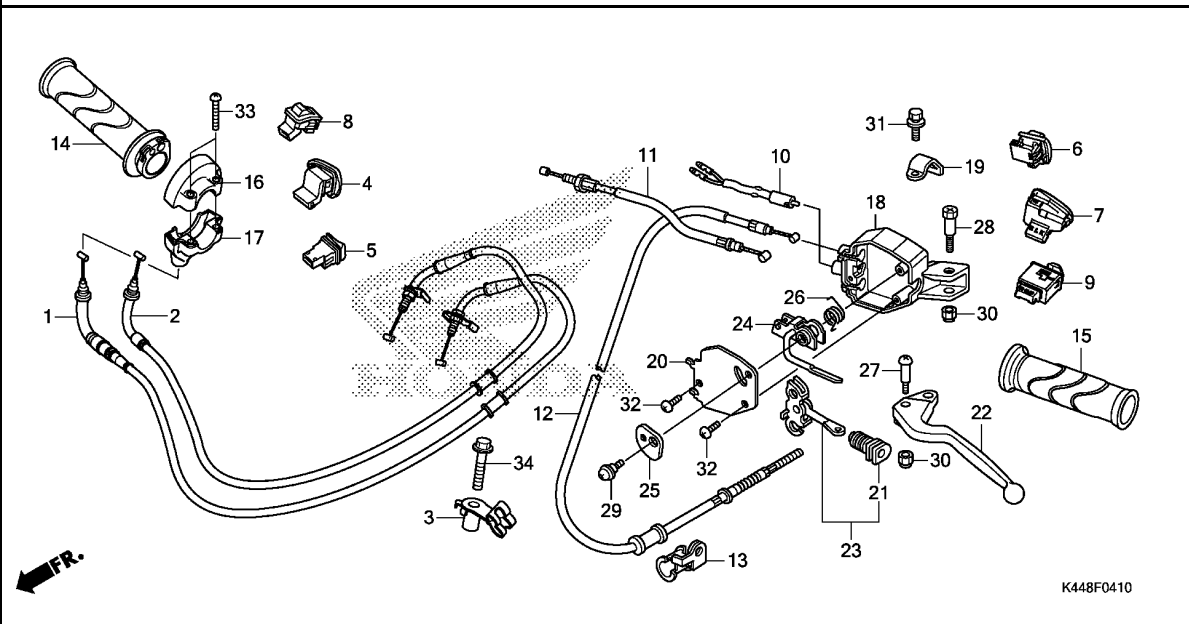
3

Ref. No.	Part No.	Description	Reqd. QTY	Serial No.	Parts catalogue code
			NSC110CBF F		
1	17910-K44-V01	CABLE COMP. A, THROTTLE	1		
2	17920-K44-V01	CABLE COMP. B, THROTTLE	1		
3	17925-K44-V00	CLAMPER, THROTTLE CABLE	1		
4	35150-KYZ-V01	SWITCH UNIT, LIGHTING	1		
5	35160-KYZ-901	SWITCH UNIT, STARTER	1		
6	35170-KYZ-901	SWITCH UNIT, DIMMER	1		
7	35180-K03-N31	SWITCH UNIT, HORN(TOYO DENSO)	1		
8	35190-KWN-901	SWITCH UNIT, IDLE	1		
9	35200-K03-N31	SWITCH UNIT, WINKER (TOYO DENSO)	1		
10	35340-KPH-901	SWITCH ASSY., FR. STOP	1		
11	43440-K44-V01	CABLE COMP., FR. BRAKE CONNECTING	1		
12	43450-K44-V01	CABLE COMP., RR. BRAKE	1		
13	43455-KZL-930	CLAMPER, RR. BRAKE CABLE	1		
14	53140-K44-V00	GRIP COMP., THROTTLE	1		
15	53166-KWB-600	GRIP, L. HANDLE	1		
16	53167-K44-V00	HOUSING, UPPER THROTTLE	1		
17	53168-K44-V00	HOUSING, UNDER THROTTLE	1		
18	53172-KCW-J11	BRACKET, L. HANDLE LEVER	1		
19	53173-GFM-970	BAND, HANDLE BRACKET	1		
20	53174-KVB-920	COVER, L. BRAKE LEVER BRACKET	1		
21	53176-GBL-870	BOOT, BRAKE LEVER ROD	1		
22	53178-KVB-920	LEVER, L. STEERING HANDLE	1		
23	53180-K27-V00	EQUALIZER COMP.	1		

F-4-10

HANDLE LEVER/SWITCH/CABLE

F 5



Ref. No.	Part No.	Description	Reqd. QTY	Serial No.	Parts catalogue code
			NSC110CBF F		

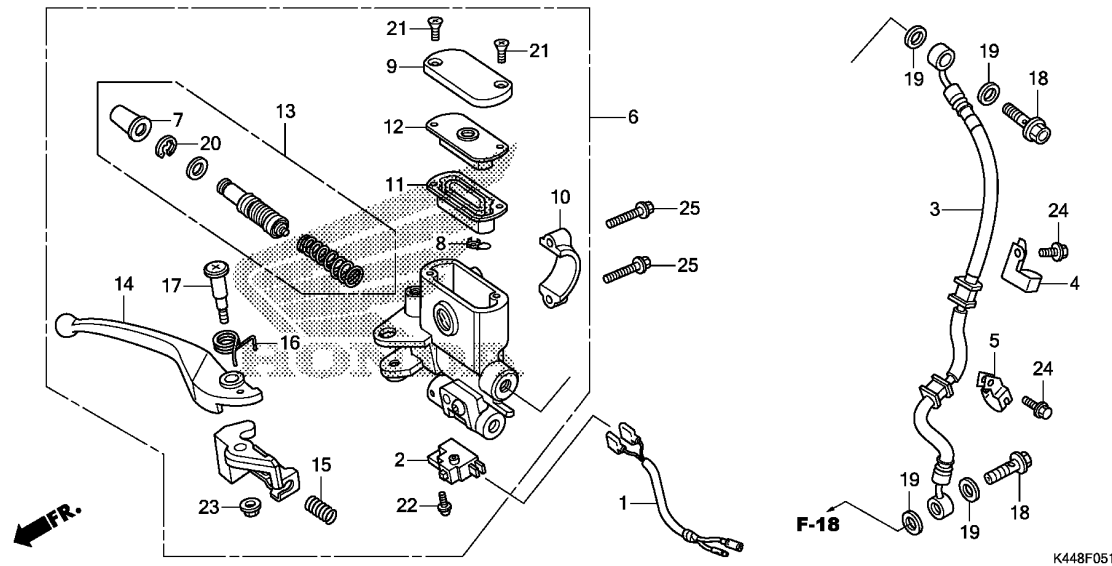
24	53185-KVB-920	ARM COMP., RR. BRAKE LOCK ...	1		
25	53186-GBL-870	COVER, RR. BRAKE LOCK LEVER .	1		
26	53188-KVB-920	SPRING, BRAKE LOCK ARM RETURN	1		
27	90115-147-000	SCREW, HANDLE LEVER PIVOT,	1		
		5X26	1		
28	90115-KWN-700	BOLT, HANDLE LEVER PIVOT	1		
29	90117-MN5-000	SCREW, PAN, 5X13	1		
30	90302-KVB-T01	NUT, U, 5MM	2		
31	93401-06020-00	BOLT-WASHER, 6X20	1		
32	93500-05012-0H	SCREW, PAN, 5X12	2		
33	93500-05020-0A	SCREW, PAN, 5X20	2		
34	95701-06030-00	BOLT, FLANGE, 6X30	1		

3

F-5-10

FRONT BRAKE MASTER CYLINDER

F 6

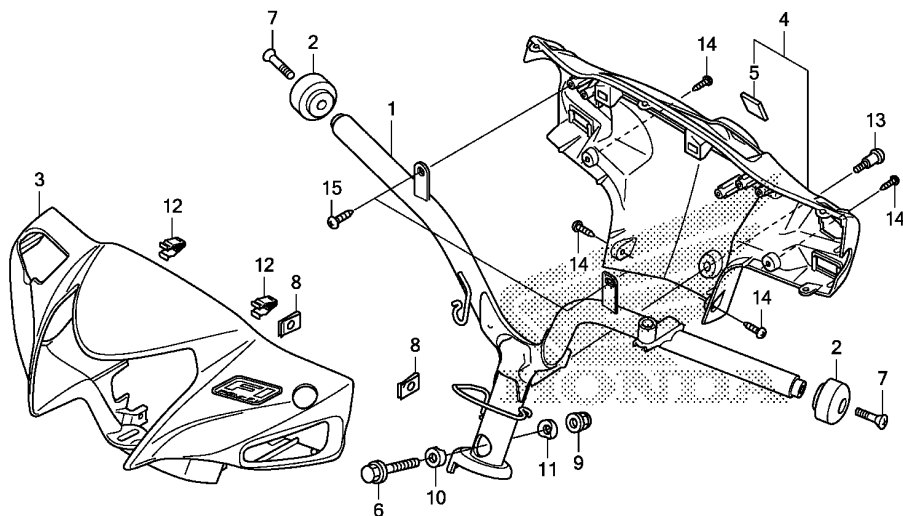


Ref. No.	L.O.N.	(Relative ref. Number) Description	F.R.T.
1	6111B3	SUB HARNESS, FRONT STOP SWITCH	0.3
2	6151B2	SWITCH, FRONT STOP	0.4
	6151B6	SWITCH, STOP :BOTH	0.7
3	7121A0	HOSE, FRONT BRAKE	0.7
		.INCLUDES: Bleed brakes	
6	712105	CYLINDER, FRONT BRAKE MASTER .	1.2
		.INCLUDES: Bleed brakes	
11	7121G6	DIAPHRAGM, FRONT BRAKE MASTER	
		CYLINDER	0.1
13	7121G9	PISTON SET, FRONT BRAKE MASTER	1.2
		.INCLUDES: Bleed brakes	
14	8101C7	LEVER, HANDLE :RIGHT	0.4
	8101F5	LEVER, HANDLE :BOTH	0.5

K448F0510

3

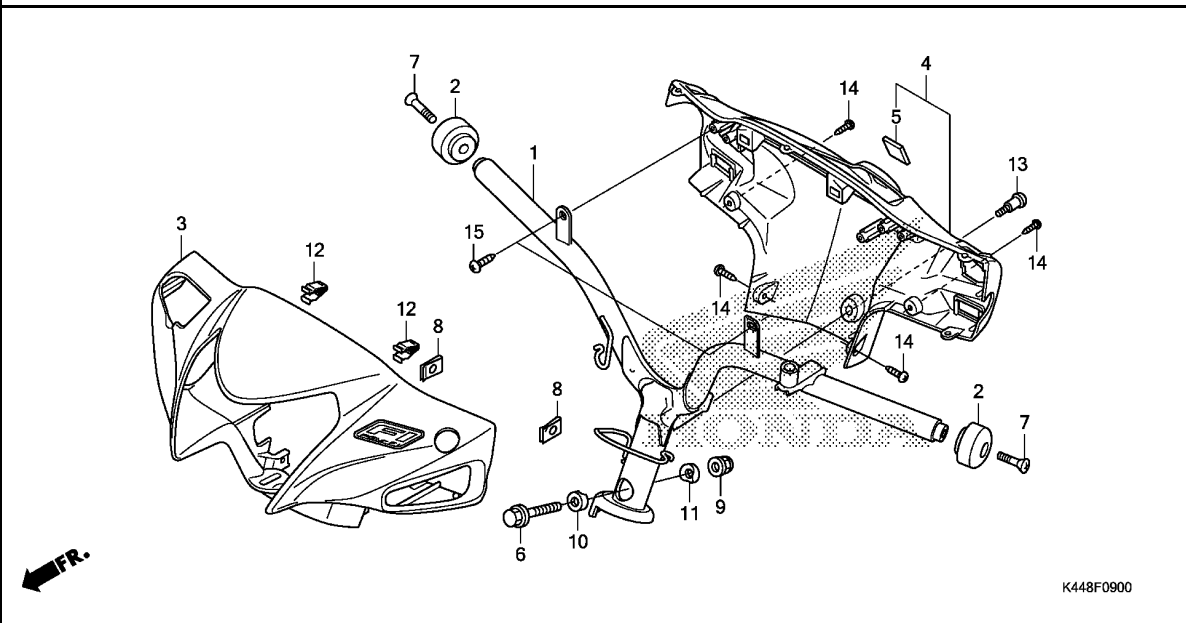
Ref. No.	Part No.	Description	Reqd. QTY	Serial No.	Parts catalogue code
			NSC110CBF F		
1	32105-K44-V00	SUB CORD, FR. STOP SWITCH ...	1		
2	35340-KWB-601	SWITCH ASSY., FR. STOP	1		
3	45126-KZR-601	HOSE COMP., FR. BRAKE	1		
4	45156-KZL-940	CLAMPER A, BRAKE HOSE	1		
5	45157-KZL-940	CLAMPER B, BRAKE HOSE	1		
6	45500-K44-V00	CYLINDER ASSY., FR. BRAKE MASTER(NISSIN)	1		
7	45504-410-003	BOOT COMP.	1		
8	45512-MA6-006	PROTECTOR	1		
9	45513-GW0-911	CAP, MASTER CYLINDER	1		
10	45517-GW0-751	HOLDER, MASTER CYLINDER	1		
11	45520-GW0-911	DIAPHRAGM	1		
12	45521-GW0-911	PLATE, DIAPHRAGM	1		
13	45530-KVY-911	CYLINDER SET, MASTER	1		
14	53175-KVB-921	LEVER, R. STEERING HANDLE ...	1		
15	53198-GBL-870	SPRING, RETURN	1		
16	53199-KVG-910	SPRING, BRAKE LEVER RETURN ..	1		
17	90114-K44-V00	BOLT, HANDLE LEVER	1		
18	90145-KPH-B30	BOLT, OIL, 10X22(NISSIN)	2		
19	90545-300-000	WASHER, OIL BOLT	4		
20	90651-MA5-671	CIRCLIP	1		
21	93600-04012-16	SCREW, FLAT, 4X12	2		
22	93893-04012-17	SCREW-WASHER, 4X12	1		
23	94050-06000	NUT, FLANGE, 6MM	1		
24	95701-06012-00	BOLT, FLANGE, 6X12	2		
25	96001-06022-00	BOLT, FLANGE, 6X22	2		



K448F0900

Ref. No.	L.O.N.	(Relative ref. Number) Description	F.R.T.
1	810100	PIPE, STEERING HANDLE	1.7
3	4131B5	COVER, HANDLE :FRONT	0.4
4	4131B6	COVER, HANDLE :REAR	0.6
	4131U1	COVER, HANDLE :BOTH	0.8

Ref. No.	Part No.	Description	Reqd. QTY	Serial No.	Parts catalogue code
			NSC110CBF F		
1	53100-K44-V00	PIPE COMP., STEERING HANDLE	1		
2	53102-KVB-S00	WEIGHT A, HANDLE	2		
3	53200-K44-V00ZA	COVER SET, HANDLE FR.(WL) *YR320M*	1		
		BRIGHT BRONZE METALLIC	1		
	53200-K44-V00ZB	*YR317M*	1		
		LUXURIOUS COPPER METALLIC	1		
	53200-K44-V00ZC	*R350C*.....CANDY NOBLE RED	1		
	53200-K44-V00ZD	*PB390M*EXALTED BLUE METALLIC	1		
	53200-K44-V00ZE	*NHB35P*..PEARL JASMINE WHITE	1		
	53200-K44-V00ZF	*NHB25M*	1		
		POSEIDON BLACK METALLIC	1		
	53200-K44-V00ZG	*R340C*.....CANDY ROSY RED	1		
	53200-K44-V00ZH	*NH411M*FORCE SILVER METALLIC	1		
4	53210-K44-V00ZA	COVER SET, HANDLE RR.(WL) *YR320M*	1		
		BRIGHT BRONZE METALLIC	1		
	53210-K44-V00ZB	*YR317M*	1		
		LUXURIOUS COPPER METALLIC	1		
	53210-K44-V00ZC	*R350C*.....CANDY NOBLE RED	1		
	53210-K44-V00ZD	*PB390M*EXALTED BLUE METALLIC	1		
	53210-K44-V00ZE	*NHB35P*..PEARL JASMINE WHITE	1		
	53210-K44-V00ZF	*NHB25M*	1		
		POSEIDON BLACK METALLIC	1		
	53210-K44-V00ZG	*R340C*.....CANDY ROSY RED	1		
	53210-K44-V00ZH	*NH411M*FORCE SILVER METALLIC	1		
5	86150-KYS-940	EMBLEM, PRODUCT	1		
6	90102-KZL-930	BOLT, FLANGE, 10X48	1		

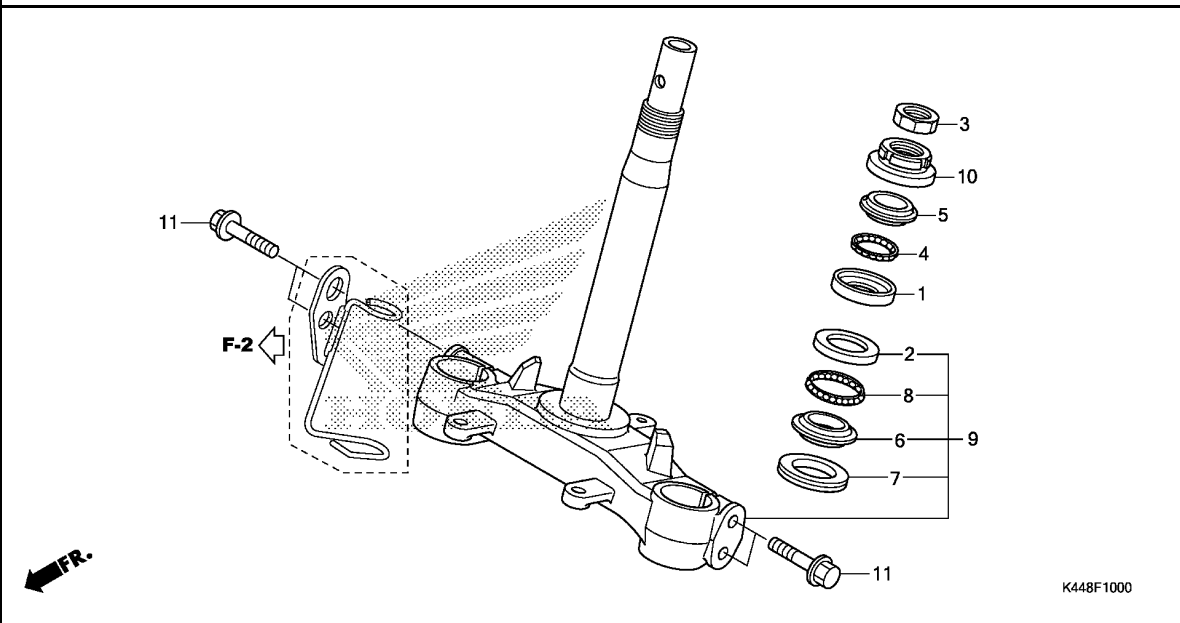


Ref. No.	Part No.	Description	Reqd. QTY		Serial No.	Parts catalogue code
			NSC110CBF	F		
7	90191-KWB-600	SCREW, OVAL, 6X45	2			
8	90302-KWW-A00	NUT, SPRING, 4MM	2			
9	90304-KGH-901	NUT, U, 10MM	1			
10	90501-KPH-880	COLLAR A, HANDLE SETTING	1			
11	90505-KPH-880	COLLAR B, HANDLE SETTING	1			
12	90601-SJA-003	CLIP, SNAP FITTING	2			
13	91509-GE2-760	SCREW, PAN, 5X11.5	1			
14	93903-24480	SCREW, TAPPING, 4X16	4			
15	93903-25310	SCREW, TAPPING, 5X16	2			

F-10

STEERING STEM

F 9



Ref. No.	L.O.N.	(Relative ref. Number) Description	F.R.T.
1		(4)	
5101A0		RACE, STEERING BALL :UPPER ...	2.4
5101A1		RACE, STEERING BALL :LOWER ...	2.6
5101C9		RACE, STEERING BALL :BOTH	2.6
5101A9		RACE, STEERING TOP CONE	2.4
6		(7,8)	
5101B0		RACE, STEERING BOTTOM CONE ...	2.6
9		STEM OR SHAFT ASSY., STEERING	2.4
5101B2		THREAD, STEERING HEAD TOP	2.2

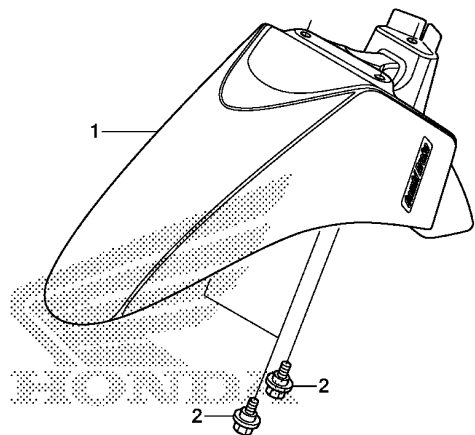
Ref. No.	Part No.	Description	Reqd. QTY NSC110CBF F	Serial No.	Parts catalogue code
1	50301-GN5-901	RACE, STEERING TOP BALL	1		
2	50302-GN5-900	RACE, STEERING BOTTOM BALL ..	1		
3	50306-GN5-900	NUT, STEERING STEM LOCK	1		
4	53210-KVR-C00	BALL ASSY., STEERING STEEL, #6X21	1		
5	53211-GN5-900	RACE, STEERING TOP CONE	1		
6	53212-GN5-900	RACE, STEERING BOTTOM CONE ..	1		
7	53214-GN5-900	DUST SEAL, STEERING HEAD	1		
8	53215-KVR-C00	BALL ASSY., STEERING STEEL, #6X26	1		
9	53219-K44-V00	STEM SUB ASSY., STEERING	1		
10	53220-GN5-850	THREAD COMP., STEERING HEAD TOP	1		
11	95801-10045-08	BOLT, FLANGE, 10X45	4		

3

F-11

FRONT FENDER

F10



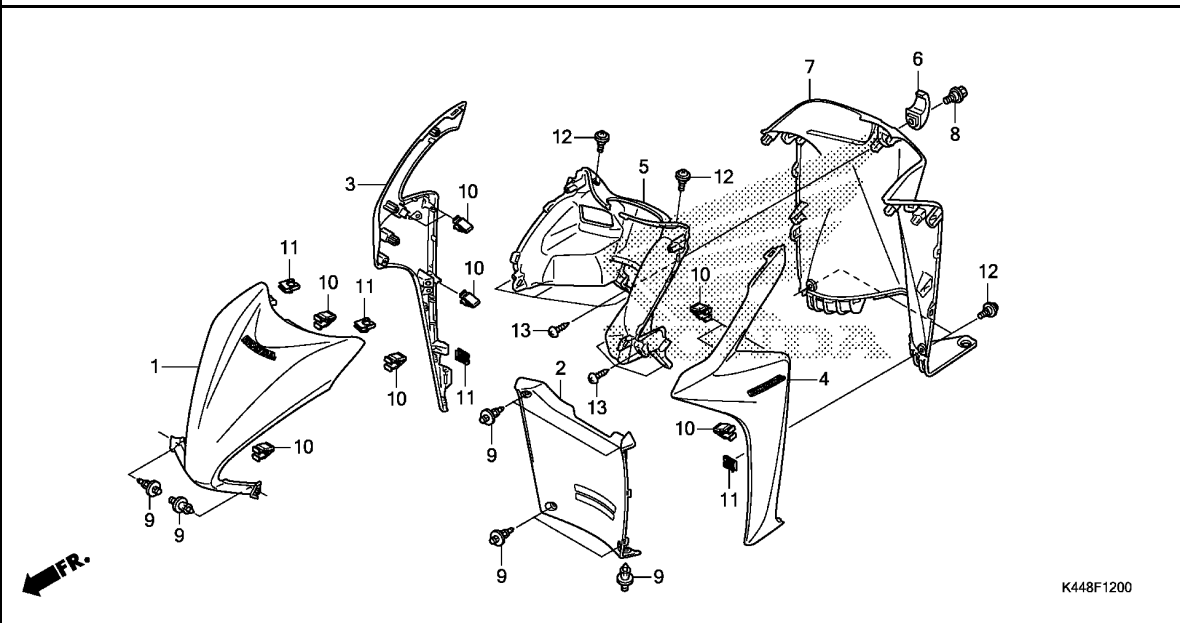
K448F1100

Ref. No.	L.O.N. (Relative ref. Number)	Description	F.R.T.
----------	-------------------------------	-------------	--------

1	4131B7	FENDER, FRONT	0.3
---	--------	---------------------	-----

3

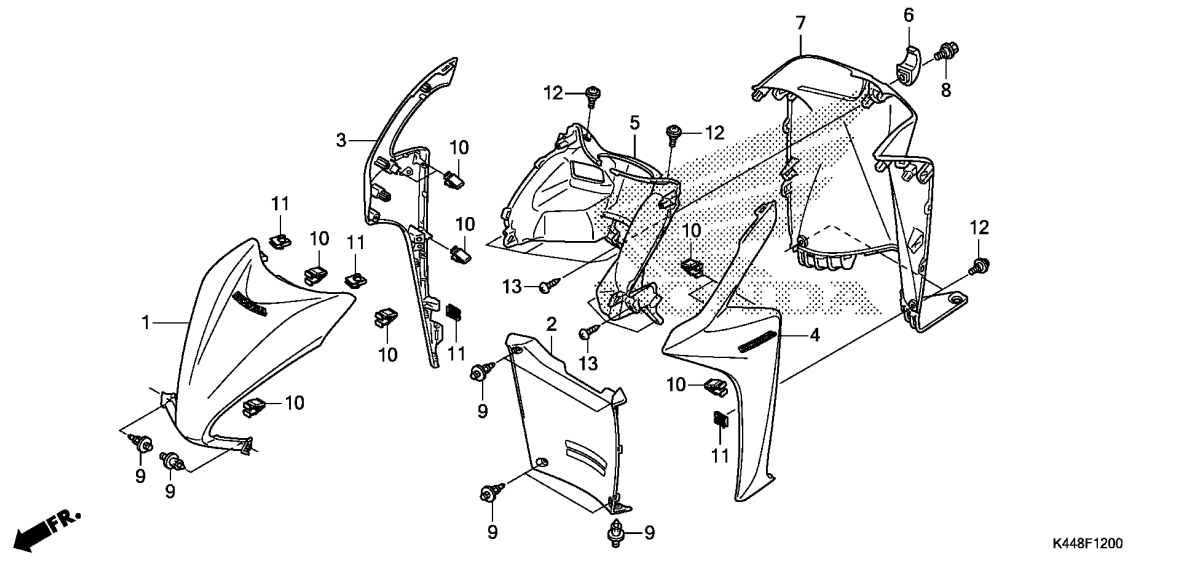
Ref. No.	Part No.	Description	Reqd. QTY	Serial No.	Parts catalogue code
			NSC110CBF F		
1	61110-K44-V00ZA	FENDER SET, FR.(WL) *YR320M*			
		BRIGHT BRONZE METALLIC	1		
	61110-K44-V00ZB	*YR317M*			
		LUXURIOUS COPPER METALLIC	1		
	61110-K44-V00ZC	*R350C*.....CANDY NOBLE RED	1		
	61110-K44-V00ZD	*PB390M*EXALTED BLUE METALLIC	1		
	61110-K44-V00ZE	*NHB35P*..PEARL JASMINE WHITE	1		
	61110-K44-V00ZF	*NHB25M*			
		POSEIDON BLACK METALLIC	1		
	61110-K44-V00ZG	*R340C*.....CANDY ROSY RED	1		
	61110-K44-V00ZH	*NH411M*FORCE SILVER METALLIC	1		
2	90111-KZL-A00	BOLT, SPECIAL, 6MM	3		



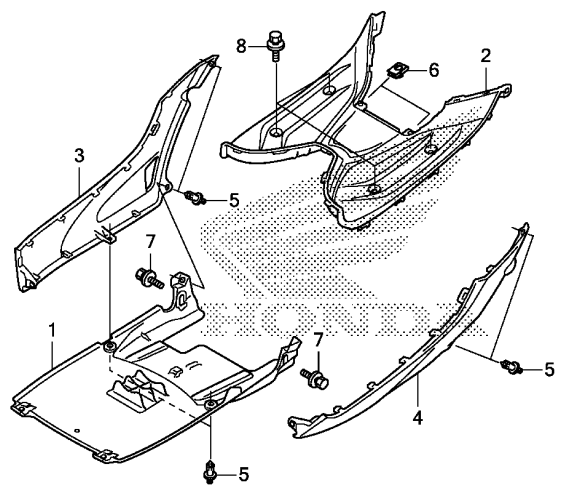
K448F1200

Ref. No.	L.O.N.	(Relative ref. Number) Description	F.R.T.
1	4111E3	COVER, FRONT	0.1
2	413130	COVER, FRONT LOWER	0.1
3	4111U8	COVER, FRONT :RIGHT	0.4
4	4111U7	COVER, FRONT :LEFT	0.4
	4111U9	COVER, FRONT :BOTH	0.6
5	4111H5	PANEL, INNER :UPPER	0.7
7	4111H6	PANEL, INNER :LOWER	0.7
	4111E6	PANEL, INNER :BOTH	0.7

Ref. No.	Part No.	Description	Reqd. QTY	Serial No.	Parts catalogue code
			NSC110CBF F		
1	64300-K44-V00ZD	COVER SET, FR. (WL)			
		TYPE3	1		
	64300-K44-V00ZE	*TYPE2*	1		
	64300-K44-V00ZF	*TYPE1*	1		
	64300-K44-V00ZG	*TYPE8*	1		
	64300-K44-V00ZH	*TYPE7*	1		
	64300-K44-V00ZJ	*TYPE6 1*	1		
	64300-K44-V00ZK	*TYPE5 1*	1		
	64300-K44-V00ZL	*TYPE4 1*	1		
2	64308-K44-V00ZA	COVER, FR. LOWER			
		NH1.....BLACK	1		
3	64350-K44-V00ZF	COVER SET, R. FR. SIDE(WL)			
		TYPE1	1		
	64350-K44-V00ZG	*TYPE8*	1		
	64350-K44-V00ZH	*TYPE7*	1		
	64350-K44-V00ZJ	*TYPE6 1*	1		
	64350-K44-V00ZK	*TYPE5 1*	1		
	64350-K44-V00ZL	*TYPE4 1*	1		
	64350-K44-V00ZM	*TYPE3 1*	1		
	64350-K44-V00ZN	*TYPE2 1*	1		
4	64450-K44-V00ZF	COVER SET, L. FR. SIDE(WL)			
		TYPE1	1		
	64450-K44-V00ZG	*TYPE8*	1		
	64450-K44-V00ZH	*TYPE7*	1		
	64450-K44-V00ZJ	*TYPE6 1*	1		
	64450-K44-V00ZK	*TYPE5 1*	1		
	64450-K44-V00ZL	*TYPE4 1*	1		
	64450-K44-V00ZM	*TYPE3 1*	1		
	64450-K44-V00ZN	*TYPE2 1*	1		



Ref. No.	Part No.	Description	Reqd. QTY NSC110CBF F	Serial No.	Parts catalogue code
5	81131-K44-V00ZA	COVER, INNER UPPER *YR320M*			
		BRIGHT BRONZE METALLIC	1		
	81131-K44-V00ZB	*YR317M*			
		LUXURIOUS COPPER METALLIC	1		
	81131-K44-V00ZC	*R350C*.....CANDY NOBLE RED	1		
	81131-K44-V00ZD	*PB390M*EXALTED BLUE METALLIC	1		
	81131-K44-V00ZE	*NHB35P*..PEARL JASMINE WHITE	1		
	81131-K44-V00ZF	*NHB25M*			
		POSEIDON BLACK METALLIC	1		
	81131-K44-V00ZG	*R340C*.....CANDY ROSY RED	1		
	81131-K44-V00ZH	*NH411M*FORCE SILVER METALLIC	1		
6	81132-GAH-000ZW	HOOK, LUGGAGE *NH1*.....BLACK	1		
7	81141-K44-V00ZA	COVER, INNER LOWER *YR286R*.....CASTAGNA BROWN R	1		
	81141-K44-V00ZB	*NH1*.....BLACK	1		
8	90107-KVB-900	BOLT, SPECIAL, 6MM	1		
9	90116-SPO-003	CLIP, BUMPER SEAL	8		
10	90601-SJA-003	CLIP, SNAP FITTING	9		
11	90677-KAN-T00	NUT, CLIP, 5MM	4		
12	91509-GE2-760	SCREW, PAN, 5X11.5	4		
13	93903-25310	SCREW, TAPPING, 5X16	7		

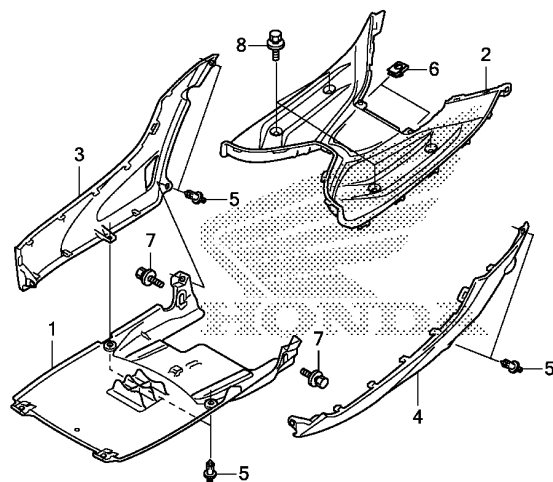


K448F1400

Ref. No.	L.O.N.	(Relative ref. Number) Description	F.R.T.
1	4131B4	COVER, UNDER	0.2
2	4131D2	STEP, FLOOR	0.6
3	4131J6	COVER, FLOOR SIDE :RIGHT	0.1
4	4131J5	COVER, FLOOR SIDE :LEFT	0.1
	4131X0	COVER, FLOOR SIDE :BOTH	0.2

Ref. No.	Part No.	Description	Reqd. QTY	Serial No.	Parts catalogue code
			NSC110CBF F		
1	50611-K44-V00ZA	COVER, UNDER *NH1*.....BLACK	1		
2	64310-K44-V00ZA	STEP, FLOOR *YR286R*.....CASTAGNA BROWN R	1		
	64310-K44-V00ZB	*NH1*.....BLACK	1		
3	83520-K44-V00ZA	COVER, R. FLOOR SIDE *YR320M* BRIGHT BRONZE METALLIC	1		
	83520-K44-V00ZB	*YR317M* LUXURIOUS COPPER METALLIC	1		
	83520-K44-V00ZC	*R350C*.....CANDY NOBLE RED	1		
	83520-K44-V00ZD	*PB390M*EXALTED BLUE METALLIC	1		
	83520-K44-V00ZE	*NHB35P*..PEARL JASMINE WHITE	1		
	83520-K44-V00ZF	*NHB25M* POSEIDON BLACK METALLIC	1		
	83520-K44-V00ZG	*R340C*.....CANDY ROSY RED	1		
	83520-K44-V00ZH	*NH411M*FORCE SILVER METALLIC	1		
4	83620-K44-V00ZA	COVER, L. FLOOR SIDE *YR320M* BRIGHT BRONZE METALLIC	1		
	83620-K44-V00ZB	*YR317M* LUXURIOUS COPPER METALLIC	1		
	83620-K44-V00ZC	*R350C*.....CANDY NOBLE RED	1		
	83620-K44-V00ZD	*PB390M*EXALTED BLUE METALLIC	1		
	83620-K44-V00ZE	*NHB35P*..PEARL JASMINE WHITE	1		
	83620-K44-V00ZF	*NHB25M* POSEIDON BLACK METALLIC	1		
	83620-K44-V00ZG	*R340C*.....CANDY ROSY RED	1		
	83620-K44-V00ZH	*NH411M*FORCE SILVER METALLIC	1		





K448F1400

3

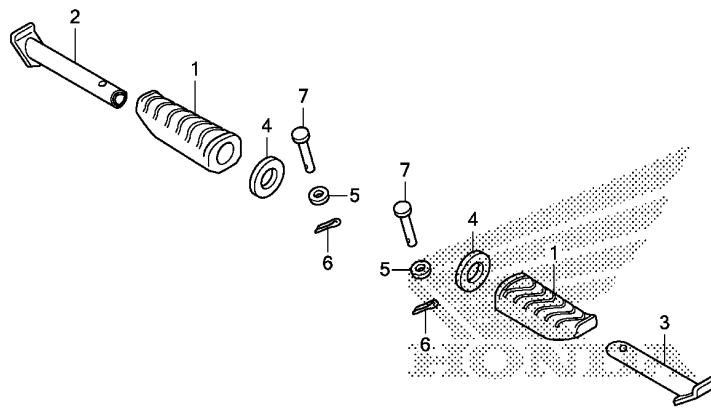
Ref. No.	Part No.	Description	Reqd. QTY		Serial No.	Parts catalogue code
			NSC110CBF	F		

5	90116-SP0-003	CLIP, BUMPER SEAL	6			
6	90302-KWW-A00	NUT, SPRING, 4MM	2			
7	93404-06012-00	BOLT-WASHER, 6X12	2			
8	93404-06016-00	BOLT-WASHER, 6X16	4			

F-14-10

PILLION STEP

F15



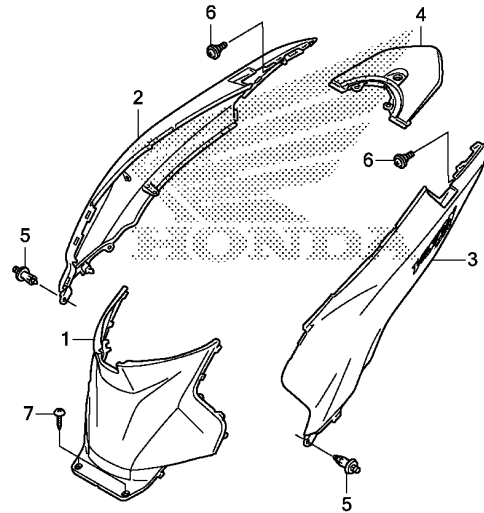
FR.

K448F1410

Ref. No.	L.O.N.	(Relative ref. Number) Description	F.R.T.
2	(1)		
4101C8	BAR, PILLION STEP :RIGHT	0.1
3	(1)		
4101C7	BAR, PILLION STEP :LEFT	0.1
4101P4	BAR, PILLION STEP :BOTH	0.2

Ref. No.	Part No.	Description	Reqd. QTY	Serial No.	Parts catalogue code
			NSC110CBF F		
1	50710-KWB-600	RUBBER, PILLION STEP	2		
2	50711-KBP-900	BAR, R. PILLION STEP	1		
3	50712-KBP-900	BAR, L. PILLION STEP	1		
4	50715-KE8-000	PLATE, PILLION STEP SIDE	2		
5	94101-06000	WASHER, PLAIN, 6MM	2		
6	94201-16150	PIN, SPLIT, 1.6X15	2		
7	95015-81000	PIN A, PILLION STEP	2		

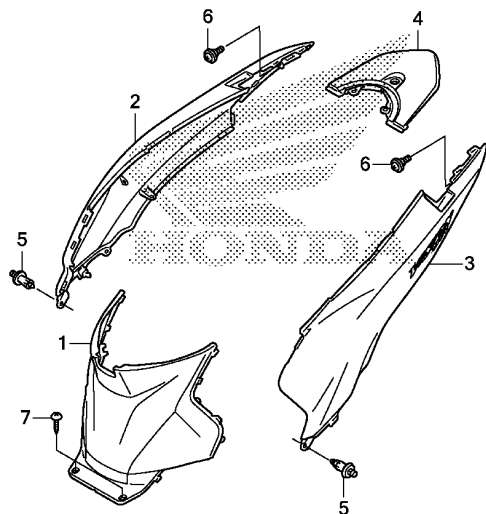
3



K448F1500

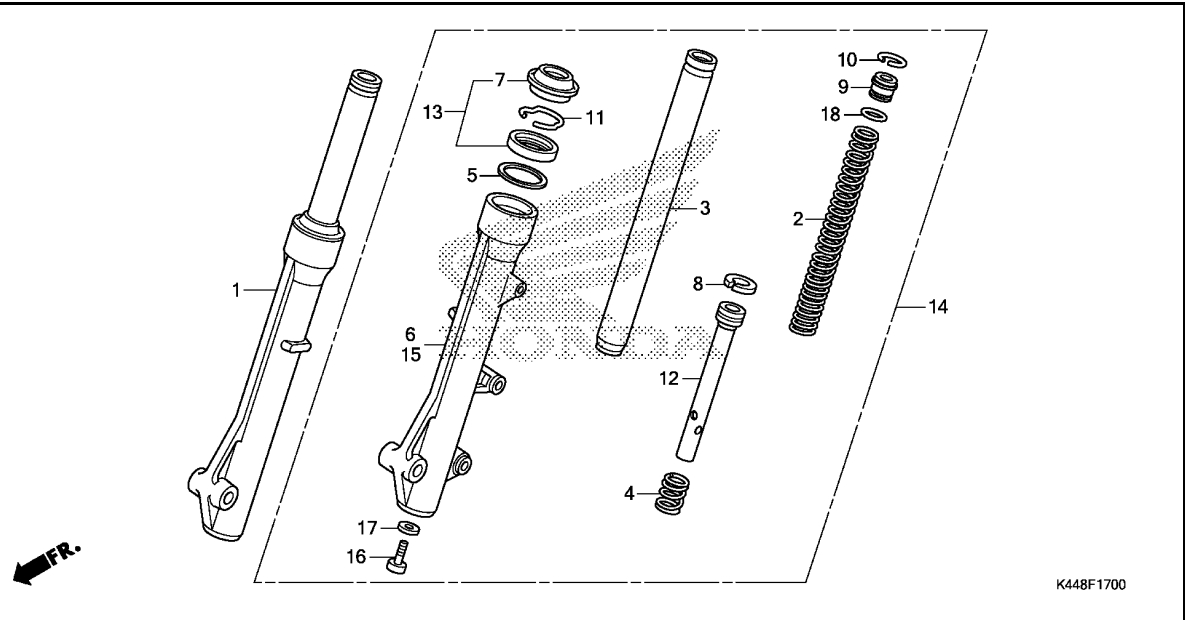
Ref. No.	L.O.N.	(Relative ref. Number) Description	F.R.T.
1	4131R6	COVER, BODY :CENTER	0.1
2	4131J0	COVER, BODY :RIGHT	0.5
3	4131H9	COVER, BODY :LEFT	0.5
	4131J1	COVER, BODY :BOTH	0.6
4	4111K7	COWL, REAR CENTER	0.1

Ref. No.	Part No.	Description	Reqd. QTY	Serial No.	Parts catalogue code
			NSC110CBF F		
1	80151-K44-V00ZA	COVER, CENTER			
		YR286R.....CASTAGNA BROWN R	1		
	80151-K44-V00ZB	*NH1*.....BLACK	1		
2	83505-K44-V00ZD	COVER SET, R. BODY(WL)			
		TYPE3.....	1		
	83505-K44-V00ZE	*TYPE2*.....	1		
	83505-K44-V00ZF	*TYPE1*.....	1		
	83505-K44-V00ZG	*TYPE8*.....	1		
	83505-K44-V00ZH	*TYPE7*.....	1		
	83505-K44-V00ZJ	*TYPE6 1*.....	1		
	83505-K44-V00ZK	*TYPE5 1*.....	1		
	83505-K44-V00ZL	*TYPE4 1*.....	1		
3	83605-K44-V00ZE	COVER SET, L. BODY(WL)			
		TYPE2.....	1		
	83605-K44-V00ZF	*TYPE1*.....	1		
	83605-K44-V00ZG	*TYPE8*.....	1		
	83605-K44-V00ZH	*TYPE7*.....	1		
	83605-K44-V00ZJ	*TYPE6 1*.....	1		
	83605-K44-V00ZK	*TYPE5 1*.....	1		
	83605-K44-V00ZL	*TYPE4 1*.....	1		
	83605-K44-V00ZM	*TYPE3 1*.....	1		
4	83700-K44-V00ZA	COVER, RR. CENTER			
		YR320M			
		BRIGHT BRONZE METALLIC	1		
	83700-K44-V00ZB	*YR317M*			
		LUXURIOUS COPPER METALLIC	1		
	83700-K44-V00ZC	*R350C*.....CANDY NOBLE RED	1		
	83700-K44-V00ZD	*PB390M*EXALTED BLUE METALLIC	1		
	83700-K44-V00ZE	*NHB35P*..PEARL JASMINE WHITE	1		



K448F1500

Ref. No.	Part No.	Description	Reqd. QTY NSC110CBF F	Serial No.	Parts catalogue code
(4)	83700-K44-V00ZF	COVER, RR. CENTER *NHB25M*			
		POSEIDON BLACK METALLIC	1		
	83700-K44-V00ZG	*R340C*.....CANDY ROSY RED	1		
	83700-K44-V00ZH	*NH411M*FORCE SILVER METALLIC	1		
5	90116-SPO-003	CLIP, BUMPER SEAL	2		
6	91509-GE2-760	SCREW, PAN, 5X11.5	2		
7	93903-24480	SCREW, TAPPING, 4X16	2		

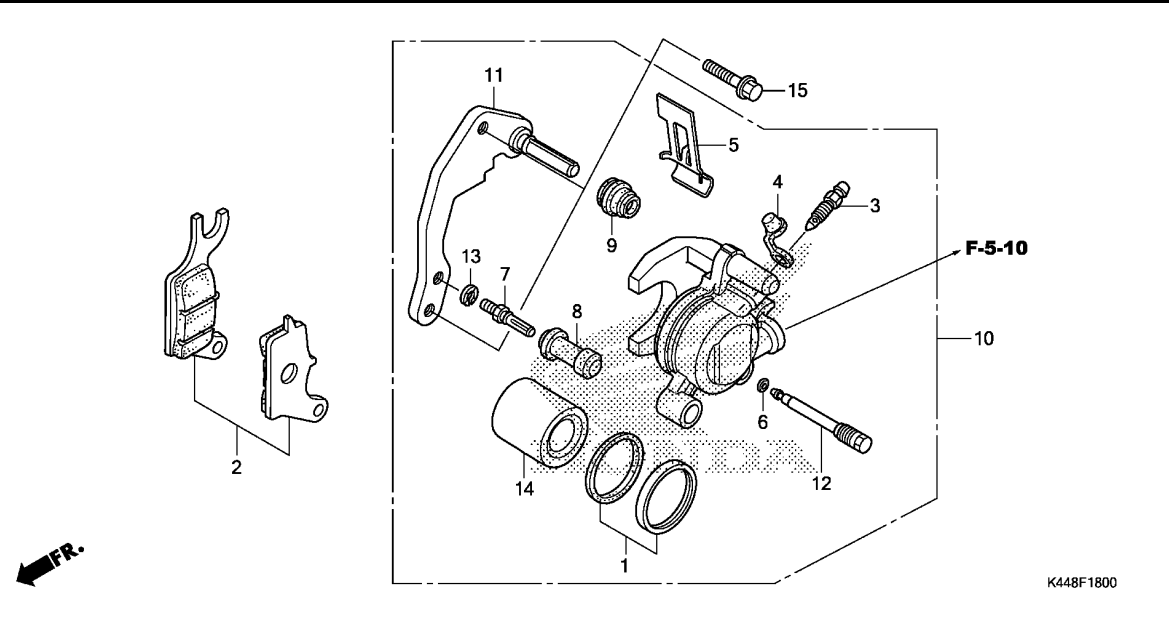


Ref. No.	L.O.N.	(Relative ref. Number) Description	F.R.T.
1	5111C3	FORK ASSY., FRONT :RIGHT	0.3
2	5111C5	SPRING, FRONT FORK :LEFT	0.5
	5111C6	SPRING, FRONT FORK :RIGHT	0.5
	5111C7	SPRING, FRONT FORK :BOTH	0.8
3		(4,8,12)	
	5111G2	PIPE, FRONT FORK :LEFT	0.7
	5111G3	PIPE, FRONT FORK :RIGHT	0.7
	5111G4	PIPE, FRONT FORK :BOTH	1.2
6	5111D2	CASE, BOTTOM :RIGHT	0.8
13	5111E7	SEAL SET, FRONT FORK :LEFT ...	0.8
	5111E8	SEAL SET, FRONT FORK :RIGHT ..	0.8
	5111E9	SEAL SET, FRONT FORK :BOTH ...	1.4
14	5111C2	FORK ASSY., FRONT :LEFT	0.3
	5111C4	FORK ASSY., FRONT :BOTH	0.4
15	5111D1	CASE, BOTTOM :LEFT	0.8
	5111D3	CASE, BOTTOM :BOTH	1.4

K448F1700

3

Ref. No.	Part No.	Description	Reqd. QTY	Serial No.	Parts catalogue code
			NSC110CBF F		
1	51400-KZR-701	FORK ASSY., R. FR.(SHOWA) ...	1		
2	51401-KZR-701	SPRING, FR. FORK	2		
3	51410-KWW-641	PIPE COMP., FR. FORK(SHOWA) -	2		
4	51412-GN5-901	SPRING, REBOUND(SHOWA)	2		
5	51412-KWB-601	RING, BACK UP	2		
6	51420-KZL-E01	CASE COMP., R. BOTTOM	1		
7	51425-GN5-901	SEAL, DUST(SHOWA)	2		
8	51437-KWB-601	RING, PISTON	2		
9	51454-KEV-881	SEAT B, SPRING	2		
10	51456-KPH-901	RING, STOPPER	2		
11	51466-065-901	RING, OIL SEAL STOPPER(SHOWA)	2		
12	51470-KZR-701	PIPE, SEAT	2		
13	51490-KGH-901	SEAL SET, FR. FORK(SHOWA) ...	2		
14	51500-KZR-701	FORK ASSY., L. FR.(SHOWA) ...	1		
15	51520-KZL-E01	CASE COMP., L. BOTTOM	1		
16	90116-KV3-701	BOLT, SOCKET, 8MM(SHOWA)	2		
17	90544-283-000	WASHER, SPECIAL, 8MM(SHOWA) -	2		
18	91356-GM0-003	O-RING, 15.8X2.4(SHOWA)	2		



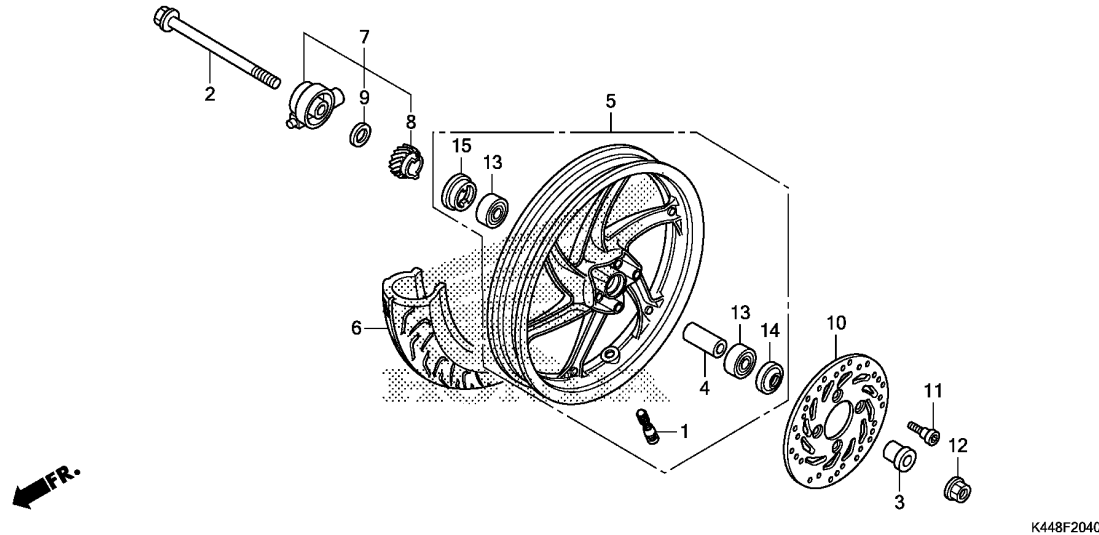
Ref. No.	L.O.N.	(Relative ref. Number) Description	F.R.T.
2	711115	SHOE(PAD) SET, BRAKE :FRONT ..	0.1
10	711130	CALIPER, FRONT BRAKE	0.4
		.INCLUDES: Bleed brakes	
11	7111G0	BRACKET, FRONT CALIPER	0.2
14		(1)	
	7111D1	PISTON, FRONT BRAKE CALIPER ..	0.5
		.INCLUDES: Bleed brakes	

Ref. No.	Part No.	Description	Reqd. QTY	Serial No.	Parts catalogue code
			NSC110CBF		
			F		
1	06451-961-405	SEAL SET, PISTON	1		
2	06455-KVB-T01	PAD SET, FR. BRAKE	1		
3	43352-568-003	SCREW, BLEEDER(NISSIN)	1		
4	43353-461-771	CAP, BLEEDER	1		
5	45108-KVB-T01	SPRING, PAD	1		
6	45111-MAJ-G41	RING, STOPPER	1		
7	45131-GZO-006	BOLT, PIN	1		
8	45132-166-016	BOOT, PIN BUSH(NISSIN)	1		
9	45133-MA3-006	BOOT B	1		
10	45150-KZL-A02	CALIPER SUB ASSY., L. FR. (NISSIN)	1		
11	45190-KZL-A01	BRACKET SUB ASSY., FR. CALIPER	1		
12	45215-KPH-951	PIN, HANGER	1		
13	45216-166-006	WASHER, WAVE	1		
14	45218-KWB-601	PISTON	1		
15	90131-KGH-900	BOLT, FLANGE, 8X25	2		

F-20-40

FRONT WHEEL

G 4



Ref. No.	L.O.N.	(Relative ref. Number) Description	F.R.T.
2		(14)	
710151		AXLE, FRONT WHEEL	0.2
7101D4		FRONT WHEEL	0.6
710139		FRONT TIRE(ONE)	0.5
710145		GEARBOX ASSY., SPEEDOMETER ...	0.2
711120		DISC, FRONT BRAKE	0.3
710115		BEARING, FRONT WHEEL(ONE)	0.4
710115G		.Replace 1 bearing add	0.1

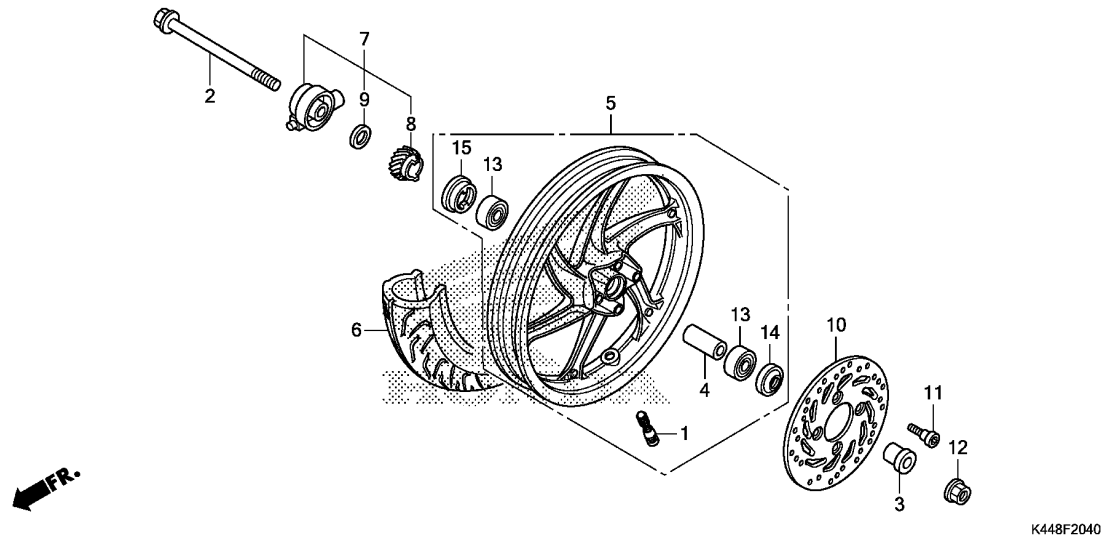
Ref. No.	Part No.	Description	Reqd. QTY	Serial No.	Parts catalogue code
			NSC110CBF F		
1	42753-GM9-743	VALVE, RIM(IRC)	1		
	42753-KBN-902	VALVE, RIM(CHENG SHIN)	1		
2	44301-KVG-950	AXLE, FR. WHEEL	1		
3	44311-KZL-930	COLLAR, FR. WHEEL SIDE	1		
4	44620-KVB-910	COLLAR, FR. DISTANCE	1		
5	44650-K44-V00ZA	WHEEL SUB ASSY., FR. *NH146M*	1		
		ACCURATE SILVER METALLIC	1		
6	44711-KVG-V40	TIRE, FR.(IRC) (80/90-14M/C 40P)	1		
	44711-KZL-731	TIRE, FR.(CHENG SHIN) (80/90-14 M/C 40P)	1		
7	44800-KVB-910	BOX ASSY., SPEEDOMETER GEAR -	1		
8	44806-KVB-911	GEAR, SPEEDOMETER(21T)	1		
9	44809-KFM-900	WASHER, SPEEDOMETER GEAR	1		
10	45351-KVB-961	DISK, FR. BRAKE(NISSIN)	1		
	45351-KVB-S01	DISK, FR. BRAKE(NHK PRECISION)	1		
	45351-KVB-S02	DISK, FR. BRAKE(SUNSTAR)	1		
11	90105-KGH-900	BOLT, BRAKE DISK, 8X24	4		
12	90306-KGH-901	NUT, U, 12MM(FUJI SEIMITSU) -	1		
13	91052-KVB-901	BEARING, RADIAL BALL, 6201U (FUJIKOSHI)	2		
	91052-KVB-902	BEARING, RADIAL BALL, 6201(U) (NTN)	2		
	91052-KVB-S51	BEARING, RADIAL BALL, 6201U (NSK)	2		
14	91251-KPH-901	DUST SEAL, 21X37X7(ARAI)	1		

3

F-20-40

FRONT WHEEL

G 5



Ref. No.	Part No.	Description	Reqd. QTY NSC110CBF F	Serial No.	Parts catalogue code
----------	----------	-------------	-----------------------------	------------	----------------------

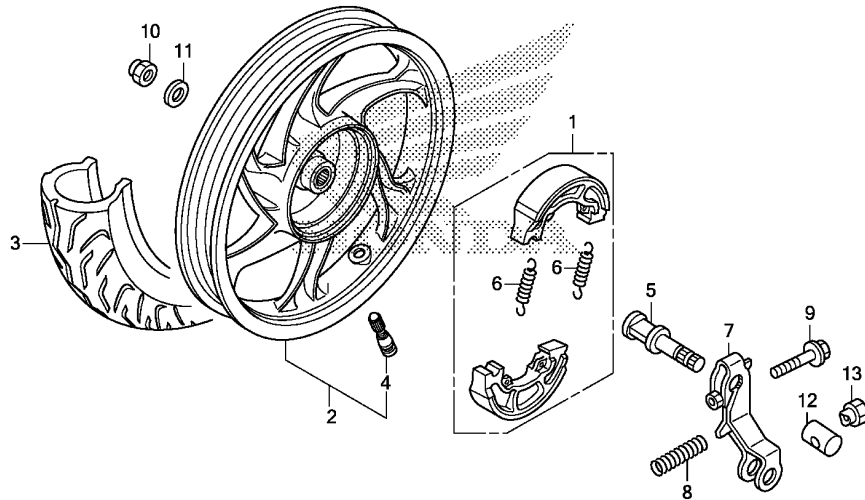
15	91258-KM1-004	SEAL, SPEEDOMETER GEAR BOX (NOK)	1		
----	---------------	-------------------------------------	---	--	--

3

F-22-30

REAR WHEEL

G 6

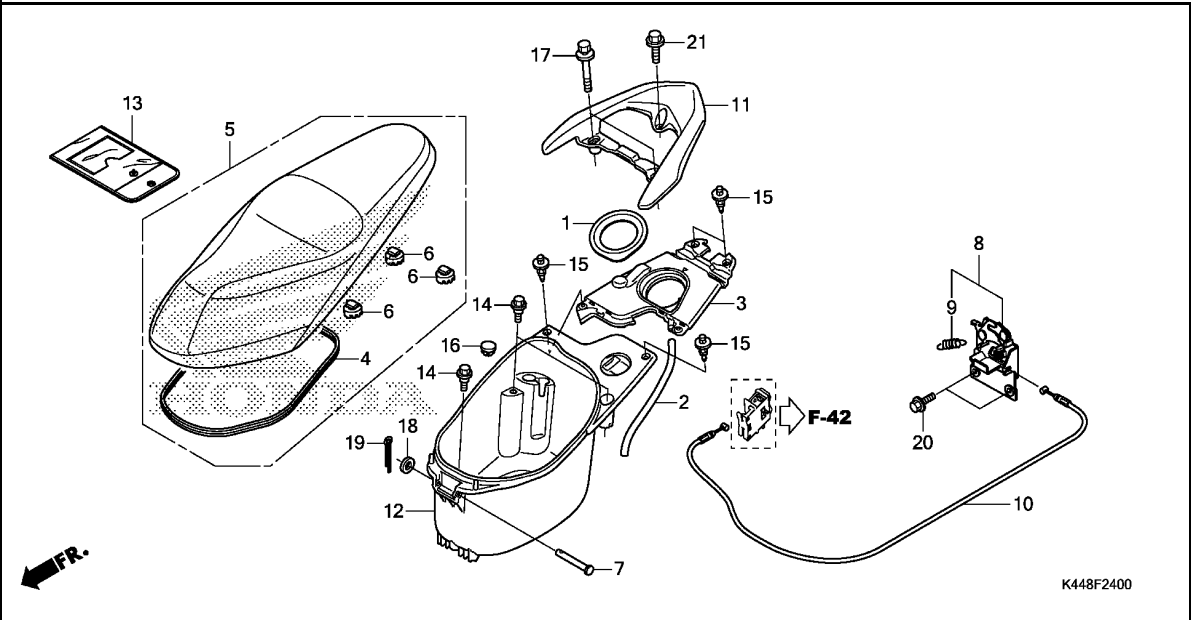


K448F2230

Ref. No.	L.O.N.	(Relative ref. Number) Description	F.R.T.
1	711140	SHOE(PAD) SET, BRAKE :REAR ...	0.4
2	710118	REAR WHEEL	0.6
3	710142	REAR TIRE(ONE)	0.6
5	7111B4	CAM, BRAKE :REAR	0.5
7	7111C4	ARM, BRAKE :REAR	0.5

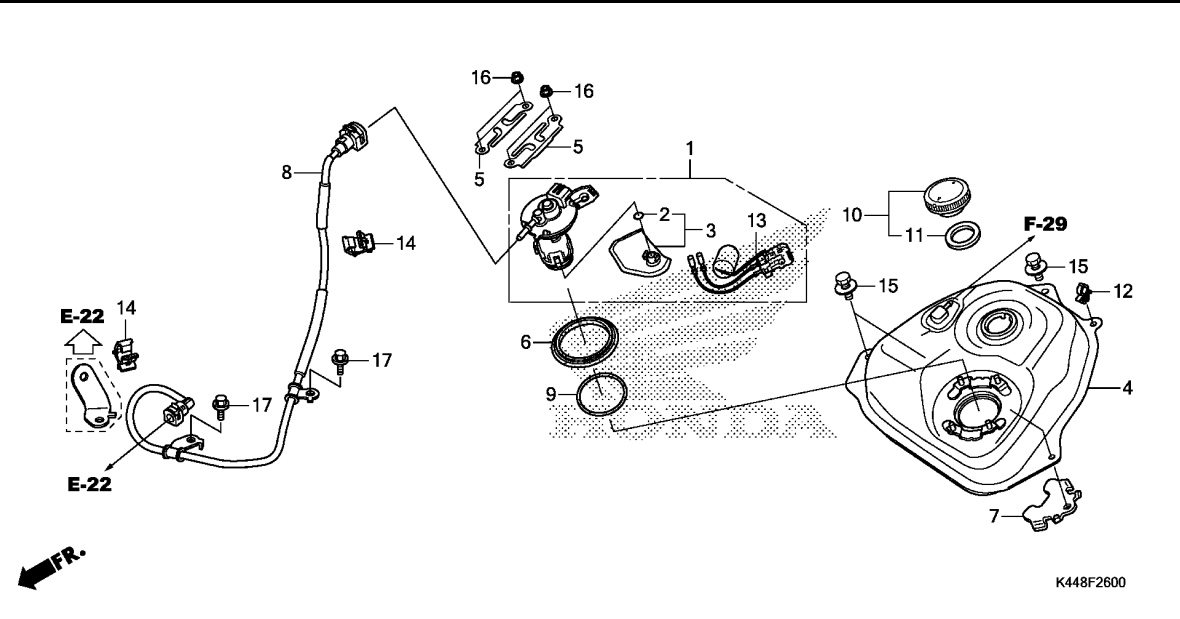
3

Ref. No.	Part No.	Description	Reqd. QTY	Serial No.	Parts catalogue code
			NSC110CBF F		
1	06430-KWN-900	SHOE SET, BRAKE(JB)	1		
2	42650-K44-V00ZA	WHEEL SUB ASSY., RR. *NH146M*	1		
3	42711-KVG-V40	TIRE, RR.(IRC) (90/90-14M/C 46P)	1		
	42711-KZL-731	TIRE, RR.(CHENG SHIN) (90/90-14 M/C 46P)	1		
4	42753-GM9-743	VALVE, RIM(IRC)	1		
	42753-KBN-902	VALVE, RIM(CHENG SHIN)	1		
5	43141-KVB-900	CAM, RR. BRAKE	1		
6	43151-329-000	SPRING, BRAKE SHOE	2		
7	43410-KVB-900	ARM, RR. BRAKE	1		
8	43472-KVB-900	SPRING, RR. BRAKE ARM	1		
9	90112-KVB-900	BOLT, FLANGE, 6X32	1		
10	90305-KVB-901	NUT, U, 16MM	1		
11	90501-KBN-900	WASHER, 16MM	1		
12	95015-32001	JOINT B, BRAKE ARM	1		
13	95015-42000	NUT B, BRAKE ROD ADJUSTING ..	1		



Ref. No.	L.O.N.	(Relative ref. Number) Description	F.R.T.
3	413121	COVER, FUEL TANK TOP	0.1
5	4131E4	SEAT :DOUBLE	0.2
8	4131E8	CATCH, SEAT :REAR SIDE	0.7
10	811175	CABLE, SEAT LOCK	1.1
11	4131F6	RAIL, GRAB :REAR	0.1
12	412102	BOX, LUGGAGE	0.2

Ref. No.	Part No.	Description	Reqd. QTY	Serial No.	Parts catalogue code
			NSC110CBF F		
1	17525-K44-V00	RUBBER, FUEL SEAL	1		
2	17526-K44-V00	TUBE A, DRAIN	1		
3	17575-K44-V00	COVER, FUEL TANK	1		
4	77115-K44-V00	RUBBER, SEAL	1		
5	77200-K44-V00ZA	SEAT COMP., DOUBLE			
		TYPE2.....	1		
	77200-K44-V00ZB	*TYPE1*.....	1		
6	77214-KPH-900	RUBBER B, SEAT SETTING	3		
7	77215-KZL-930	PIN, SEAT HINGE	1		
8	77230-K44-V00	CATCH COMP., SEAT	1		
9	77234-KYZ-900	SPRING, SEAT LOCK	1		
10	77240-K12-901	CABLE COMP., SEAT LOCK	1		
11	81200-K44-V00ZA	GRIP, RR.			
		*NH411M*FORCE SILVER METALLIC	1		
12	81250-K44-V00	BOX, LUGGAGE	1		
13	83642-K12-900	BAG, OWNERS MANUAL	1		
14	90111-187-000	BOLT, FLANGE, 6MM	3		
15	90116-SPO-003	CLIP, BUMPER SEAL	4		
16	90656-GCC-000ZC	PLUG, HOLE			
		NH1.....BLACK	1		
17	93406-08040-00	BOLT-WASHER, 8X40	2		
18	94101-08000	WASHER, PLAIN, 8MM	1		
19	94201-16180	PIN, SPLIT, 1.6X18	1		
20	95701-06012-00	BOLT, FLANGE, 6X12	2		
21	95701-08022-00	BOLT, FLANGE, 8X22	1		



Ref. No.	L.O.N.	(Relative ref. Number) Description	F.R.T.
1		(6,9)	
310120		PUMP ASSY., FUEL	0.4
3		(2)	
3101C7		FILTER, FUEL	0.5
4		TANK, FUEL	0.8
8		HOSE, FUEL FEED	0.3
13		FUEL TANK SENDING UNIT	0.5

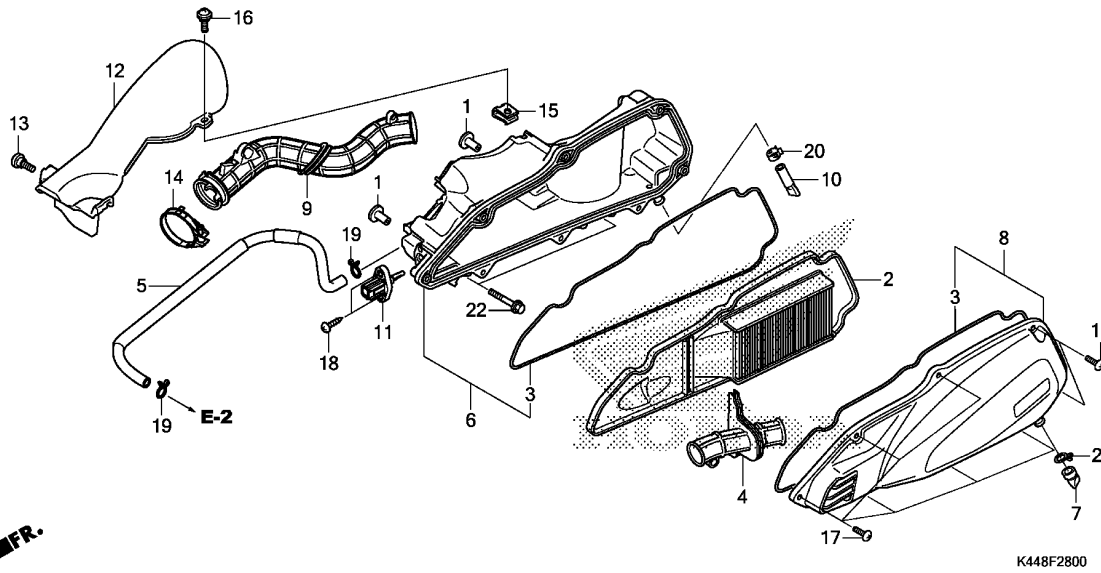
K448F2600

Ref. No.	Part No.	Description	Reqd. QTY	Serial No.	Parts catalogue code
			NSC110CBF F		
1	16700-K44-V01	PUMP UNIT, FUEL	1		
2	16706-GGL-J01	O-RING, 6.8X1.9	1		
3	16707-KWN-711	FILTER SET	1		
4	17510-K44-V00	TANK COMP., FUEL	1		
5	17517-GGL-J00	RETAINER, FUEL PUMP	2		
6	17518-GGL-J00	DUST SEAL	1		
7	17519-K44-V00	PLATE, L. FUEL TANK	1		
8	17570-K44-V01	HOSE COMP., FUEL FEED	1		
9	17572-GGL-J00	O-RING, FUEL PUMP	1		
10	17620-K01-901	CAP COMP., FUEL FILLER	1		
11	17632-383-831	PACKING, FUEL FILLER CAP	1		
12	30701-883-000	CLIP, HIGH TENSION CORD(8MM)	1		
13	37800-K44-V01	FUEL UNIT	1		
14	90661-KPH-701	CLIP, PIPE	2		
15	93404-06012-00	BOLT-WASHER, 6X12	3		
16	94050-06000	NUT, FLANGE, 6MM	4		
17	95701-06012-00	BOLT, FLANGE, 6X12	2		

F-28

AIR CLEANER

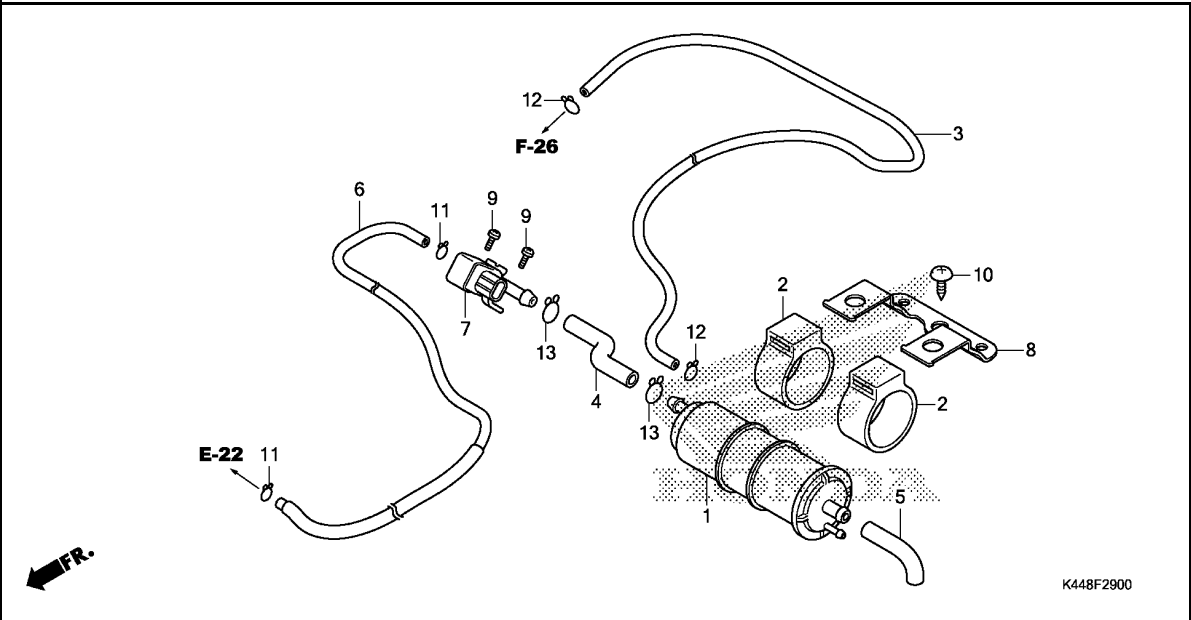
G 9



Ref. No.	L.O.N.	(Relative ref. Number) Description	F.R.T.
2	312105	ELEMENT, AIR CLEANER	0.2
6	3121A5	CASE, AIR CLEANER	0.6
8		(4)	
	312102	COVER, AIR CLEANER CASE	0.2
9	3121B6	TUBE, AIR CLEANER CONNECTING ..	0.6
11	617120	SENSOR, AIR TEMP	0.3
12	4131N4	FENDER, INNER :REAR	0.1

Ref. No.	Part No.	Description	Reqd. QTY	Serial No.	Parts catalogue code
			NSC110CBF F		
1	17208-GFM-970	COLLAR, AIR CLEANER SETTING ..	2		
2	17210-K44-V00	ELEMENT COMP., AIR CLEANER ..	1		
3	17213-K44-V00	SEAL, AIR CLEANER	2		
4	17215-K44-V00	DUCT, AIR CLEANER	1		
5	17218-K44-V00	TUBE, BREATHER	1		
6	17225-K44-V00	CASE SUB ASSY., AIR CLEANER ..	1		
7	17234-KCW-871	TUBE, AIR CLEANER DRAIN	1		
8	17235-K44-V00	COVER SUB ASSY., AIR CLEANER ..	1		
9	17253-K44-V00	TUBE, AIR CLEANER CONNECTING ..	1		
10	17261-KVB-T00	TUBE, DRAIN	1		
11	37880-KWW-C01	SENSOR ASSY., AIR TEMP	1		
12	80101-K44-V00	FENDER, RR. INNER	1		
13	90001-KWR-000	BOLT, SOCKET, 6X18	1		
14	90652-GGZ-J00	BAND, AIR CLEANER CONNECTING TUBE(42)	1		
15	90677-KAN-T00	NUT, CLIP, 5MM	1		
16	91509-GE2-760	SCREW, PAN, 5X11.5	1		
17	93903-25480	SCREW, TAPPING, 5X20	8		
18	93913-255J0	SCREW, TAPPING, 5X20	2		
19	95002-02130	CLIP, TUBE(B12.5)	2		
20	95002-41200-08	CLAMP, TUBE(D12)	1		
21	95002-80000	CLIP, TUBE(C12)	1		
22	95701-06040-00	BOLT, FLANGE, 6X40	2		

3



Ref. No.	L.O.N.	(Relative ref. Number) Description	F.R.T.
1	3141A4	CANISTER	0.7
7	3141A9	VALVE, PURGE CONTROL	0.8

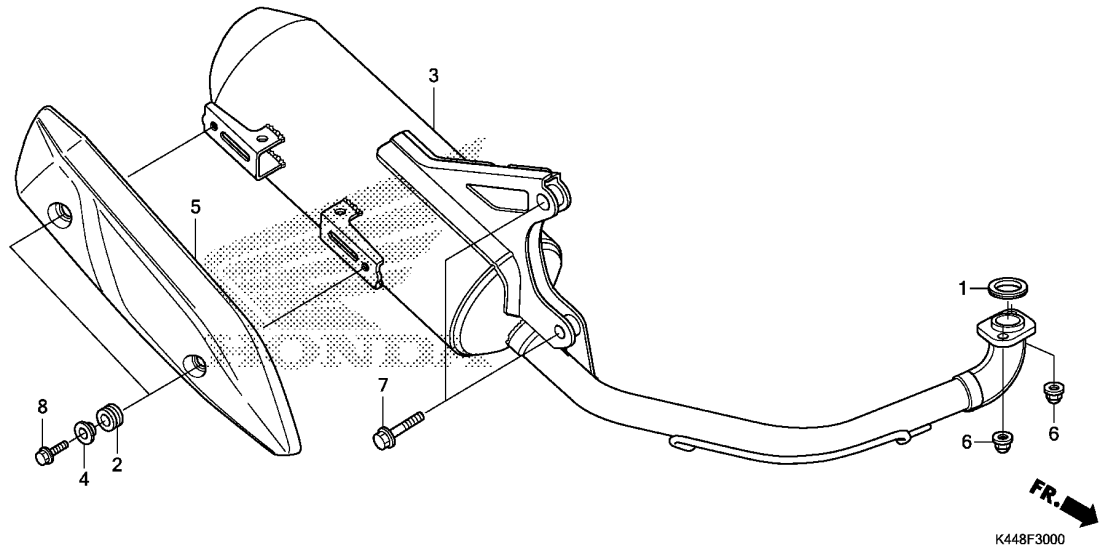


Ref. No.	Part No.	Description	Reqd. QTY	Serial No.	Parts catalogue code
			NSC110CBF F		
1	17310-GFM-K02	CANISTER COMP.	1		
2	17311-GFM-K00	RUBBER, CANISTER MOUNT	2		
3	17414-K44-V00	TUBE, CHARGE	1		
4	17415-K44-V00	TUBE, CANISTER PURGE	1		
5	17416-K44-V00	TUBE, CANISTER AIR	1		
6	17419-K44-V00	TUBE, PURGE	1		
7	36162-K12-901	VALVE, PURGE CONTROL SOLENOID	1		
8	80106-K44-V00	STAY, CANISTER	1		
9	93500-05012	SCREW, PAN, 5X12	2		
10	93903-25310	SCREW, TAPPING, 5X16	1		
11	95002-02070	CLIP, TUBE(B7)	2		
12	95002-02080	CLIP, TUBE(B8)	2		
13	95002-02120	CLIP, TUBE(B12)	2		

F-30

EXHAUST MUFFLER

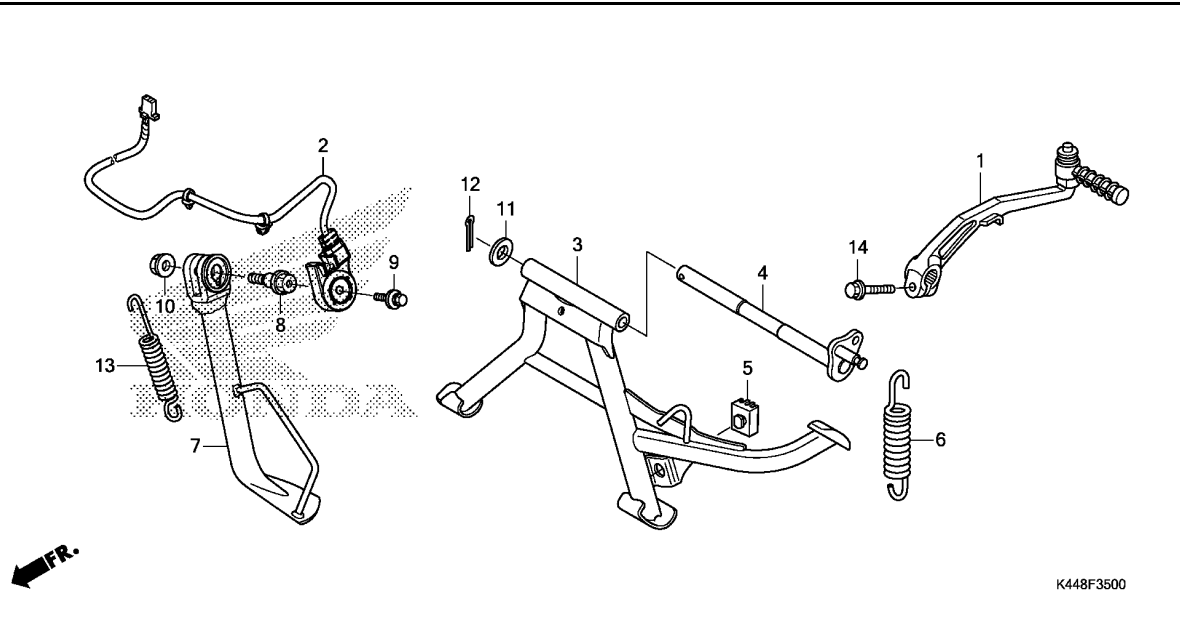
G11



Ref. No.	L.O.N.	(Relative ref. Number) Description	F.R.T.
1	3131B4	GASKET, EXHAUST PIPE	0.2
3	313120	MUFFLER	0.2
5	313121	PROTECTOR, MUFFLER	0.1

Ref. No.	Part No.	Description	Reqd. QTY NSC110CBF F	Serial No.	Parts catalogue code
1	18291-KVB-900	GASKET, EX. PIPE	1		
2	18293-KSB-900	RUBBER, PROTECTOR PACKING ...	2		
3	18300-K44-V00	MUFFLER COMP., EX.	1		
4	18316-KVB-900	COLLAR, MUFFLER PROTECTOR ...	2		
5	18318-K44-V00	PROTECTOR, MUFFLER	1		
6	90202-ZV0-000	NUT, CAP, 6MM	2		
7	95701-10040-07	BOLT, FLANGE, 10X40	2		
8	95801-06016-02	BOLT, FLANGE, 6X16	2		

3



Ref. No.	L.O.N.	(Relative ref. Number) Description	F.R.T.
1	112107	ARM, KICK STARTER	0.1
2	615195	SWITCH, SIDE STAND	0.4
3		(4)	
	410175	STAND, MAIN	0.4
6	410176	SPRING, MAIN STAND	0.2
7	410180	BAR, SIDE STAND	0.2
13	410182	SPRING, SIDE STAND	0.1

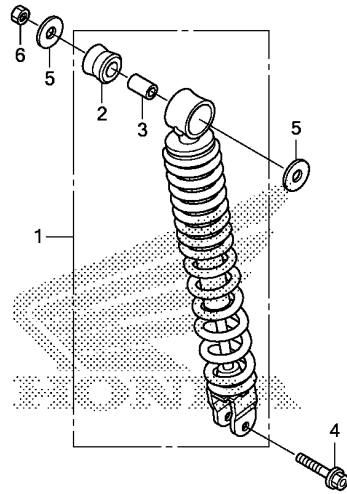
3

Ref. No.	Part No.	Description	Reqd. QTY	Serial No.	Parts catalogue code
			NSC110CBF F		
1	28300-KVY-900	ARM ASSY., KICK STARTER	1		
2	35700-K44-V01	SWITCH ASSY., SIDE STAND	1		
3	50500-K44-V00	STAND COMP., MAIN	1		
4	50503-KZL-930	SHAFT, MAIN STAND	1		
5	50505-GR1-710	RUBBER, STAND STOPPER	1		
6	50520-KVB-900	SPRING, MAIN STAND	1		
7	50530-K44-V00	BAR COMP., SIDE STAND	1		
8	90108-KZL-860	BOLT, SIDE STAND PIVOT	1		
9	90147-KVB-900	BOLT, SPECIAL, 6X16	1		
10	90203-KVB-900	NUT, SIDE STAND	1		
11	94101-10800	WASHER, PLAIN, 10MM	1		
12	94201-30200	PIN, SPLIT, 3.0X20	1		
13	95014-72102	SPRING A, SIDE STAND	1		
14	95701-08025-00	BOLT, FLANGE, 8X25	1		

F-36

REAR CUSHION

G13



K448F3600

Ref. No.	L.O.N.	(Relative ref. Number) Description	F.R.T.
1	512115	CUSHION ASSY., REAR	0.9

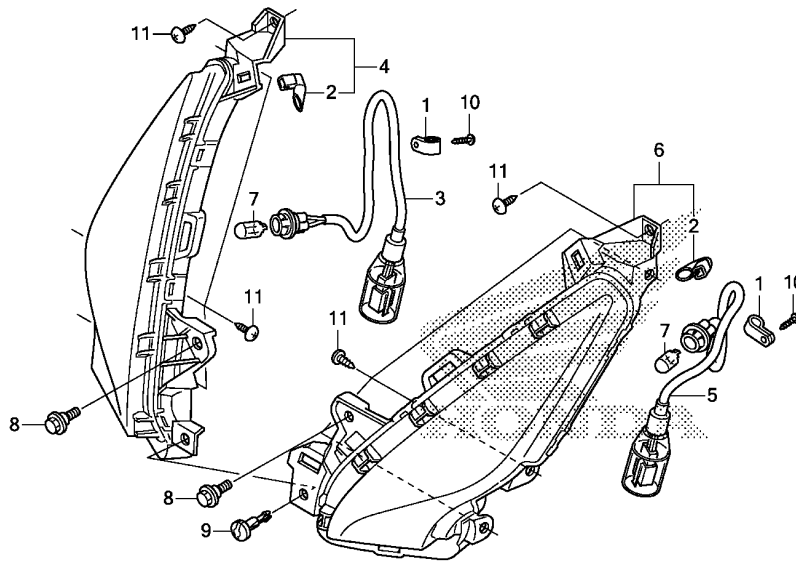
Ref. No.	Part No.	Description	Reqd. QTY NSC110CBF F	Serial No.	Parts catalogue code
1	52400-KZL-E01	CUSHION ASSY., RR. (SHOWA) ...	1		
2	52485-KVY-901	BUSH, RUBBER (SHOWA)	1		
3	52486-GA7-003	COLLAR, RUBBER BUSH (SHOWA) ..	1		
4	90131-K01-900	BOLT, FLANGE, 8X32	1		
5	90501-KWW-640	WASHER, PLAIN, 10MM	2		
6	94001-10000-0S	NUT, HEX., 10MM	1		

3

F-37-10

FRONT WINKER

G14



Ref. No.	L.O.N.	(Relative ref. Number) Description	F.R.T.
3	6161B6	SOCKET, WINKER :RIGHT FRONT ..	0.3
4	6161C4	WINKER :RIGHT FRONT	0.4
5	6161B5	SOCKET, WINKER :LEFT FRONT ...	0.3
	6161B7	SOCKET, WINKER :BOTH FRONT ...	0.4
6	6161C3	WINKER :LEFT FRONT	0.4
	6161C5	WINKER :BOTH FRONT	0.6
7	616133	BULB, WINKER :FRONT	0.2
	.NOTE: Same time for two units		
	6161G0	BULB, WINKER :FOR 1 VEHICLE ..	0.3

K448F3710

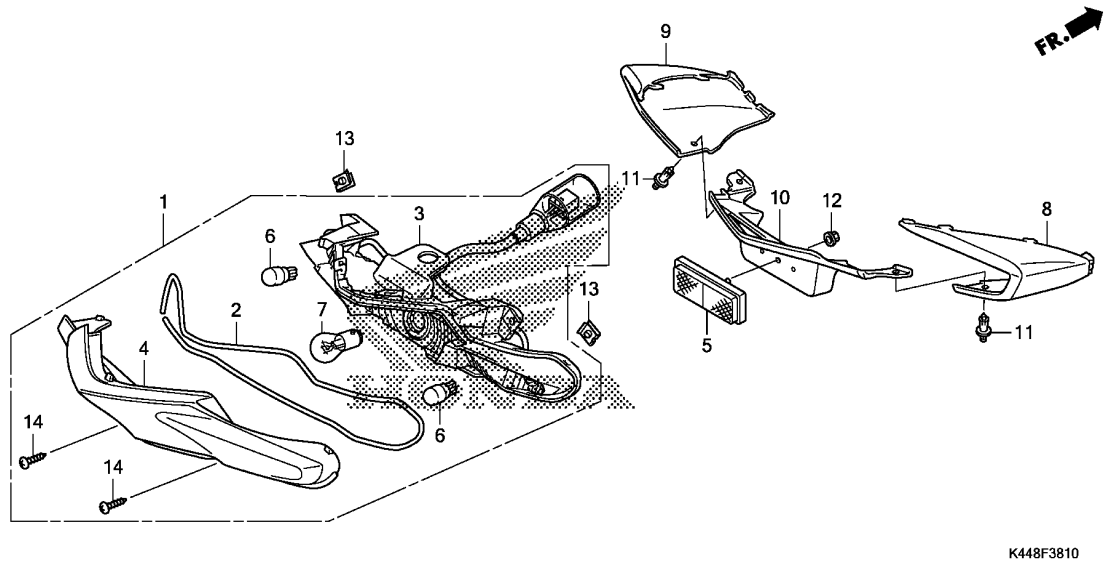
Ref. No.	Part No.	Description	Reqd. QTY NSC110CBF F	Serial No.	Parts catalogue code
1	32920-K44-J01	CLIP	2		
2	33113-K20-901	PIPE, CP	2		
3	33410-K44-V01	CORD COMP., R. FR. WINKER ...	1		
4	33420-K44-V01	WINKER UNIT, R. FR.	1		
5	33460-K44-V01	CORD COMP., L. FR. WINKER ...	1		
6	33470-K44-V01	WINKER UNIT, L. FR.	1		
7	34904-K12-901	BULB, WINKER LIGHT (12V 10W) (AMBER) (STANLEY)	2		
8	90111-187-000	BOLT, FLANGE, 6MM	2		
9	90601-PV3-003	CLIP, AIR INTAKE DUCT PUSH ..	1		
10	93901-24320	SCREW, TAPPING, 4X12	2		
11	93903-25310	SCREW, TAPPING, 5X16	8		

3

F-38-10

REAR COMBINATION LIGHT

G15



Ref. No.	L.O.N.	(Relative ref. Number) Description	F.R.T.
1	6161D5	TAILLIGHT UNIT	0.6
3	6161E2	BASE, TAILLIGHT	0.7
6	616139	BULB, WINKER :REAR	0.2
		.NOTE: Same time for two units	
	6161G0	BULB, WINKER :FOR 1 VEHICLE ..	0.3
7		(2,4)	
	6161G1	BULB, TAILLIGHT	0.2
8	6161Z8	COVER, REAR WINKER :RIGHT	0.1
9	6161Z7	COVER, REAR WINKER :LEFT	0.1
	6161Z9	COVER, REAR WINKER :BOTH	0.1
10	413124	COVER, REAR UNDER	0.1

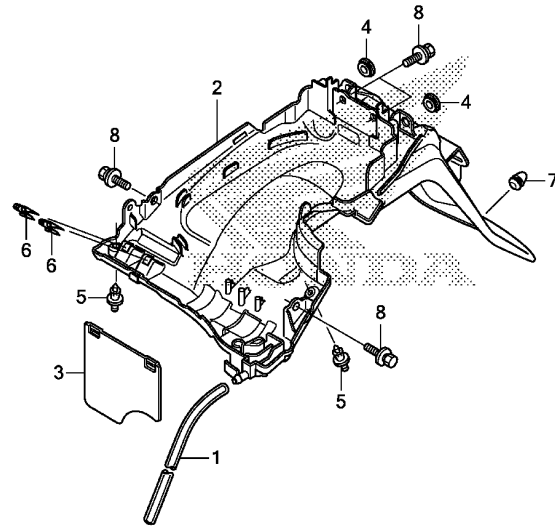
Ref. No.	Part No.	Description	Reqd. QTY NSC110CBF F	Serial No.	Parts catalogue code
1	33700-K44-V01	LIGHT ASSY., RR. COMBINATION	1		
2	33701-K44-V01	SEAL A, PACKING	1		
3	33710-K44-V01	LIGHT UNIT, RR. COMBINATION	1		
4	33720-K44-V01	LENS UNIT, OUTER	1		
5	33741-K29-901	REFLECTOR, REFLEX	1		
6	34905-KSS-C01	BULB, WINKER(12V 10W)(AMBER) (KOITO)	2		
7	34906-KSS-C01	BULB, TAILLIGHT(12V 21/5W) (KOITO)	1		
8	80121-K44-V00ZA	COVER, R. RR. WINKER *NH1*.....BLACK	1		
9	80131-K44-V00ZA	COVER, L. RR. WINKER *NH1*.....BLACK	1		
10	83751-K44-V00ZA	COVER, RR. LOWER *NH1*.....BLACK	1		
11	90116-SPO-003	CLIP, BUMPER SEAL	2		
12	90301-KWN-901	NUT, U, 5MM	1		
13	90677-KAN-T00	NUT, CLIP, 5MM	2		
14	93911-24480	SCREW, TAPPING, 4X16(P0)	2		

3

F-39

REAR FENDER

G16

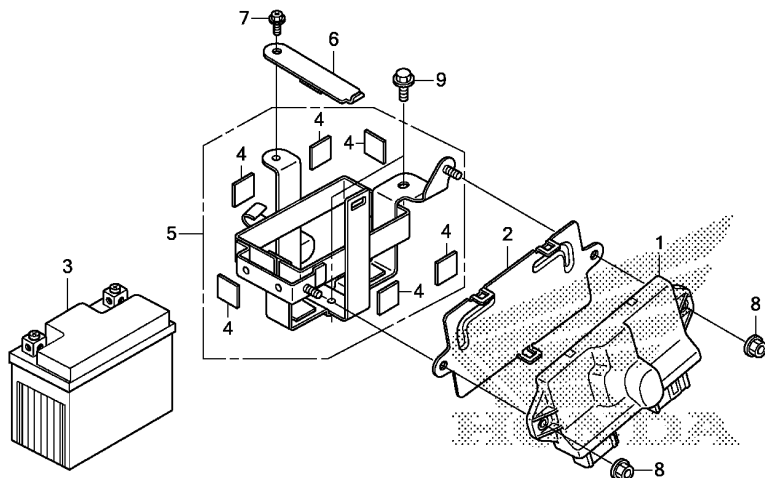


K448F3900

Ref. No.	L.O.N.	(Relative ref. Number) Description	F.R.T.
2	413102	FENDER, REAR	0.6

3

Ref. No.	Part No.	Description	Reqd. QTY	Serial No.	Parts catalogue code
			NSC110CBF F		
1	17527-K44-V00	TUBE B, DRAIN	1		
2	80100-K44-V00ZA	FENDER SET, RR.(WL) *TYPE1*.....	1		
3	80104-K44-V00	PLATE, RR. FENDER SPLASH GUARD	1		
4	83551-376-000	GROMMET, SIDE COVER	2		
5	90116-SPO-003	CLIP, BUMPER SEAL	2		
6	90677-KAN-T00	NUT, CLIP, 5MM	2		
7	90899-422-610	PLUG, CONE TYPE	1		
8	93404-06012-00	BOLT-WASHER, 6X12	4		



K448F4000

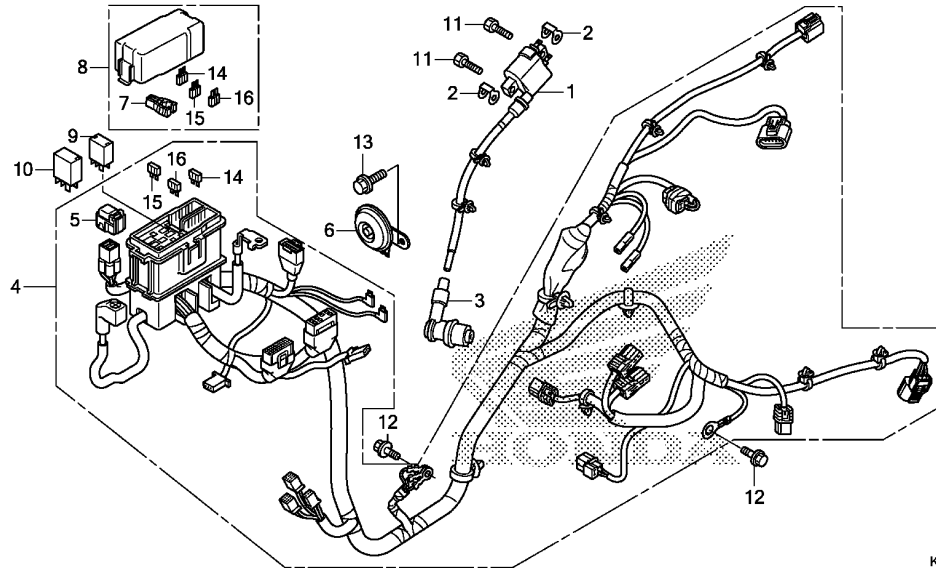
Ref. No.	L.O.N.	(Relative ref. Number) Description	F.R.T.
1	618135	ENGINE CONTROL MODULE(ECM) ...	0.6
3	610100	BATTERY	0.2
5	410185	BOX, BATTERY	0.7

Ref. No.	Part No.	Description	Reqd. QTY	Serial No.	Parts catalogue code
			NSC110CBF F		
1	30400-K44-V01	CONTROL UNIT, ENGINE	1		
2	30401-GGZ-J00	COVER, ENGINE CONTROL UNIT ..	1		
3	31500-K01-901	BATTERY(GTZ6V)(GS YUASA)	1		
4	50345-K12-900	CUSHION, BATTERY	6		
5	50380-K44-V00	STAY COMP., BATTERY	1		
6	50382-K44-V00	BAND, BATTERY	1		
7	90083-KFL-850	BOLT, SPECIAL FLANGE, 5X8 ...	1		
8	94050-06000	NUT, FLANGE, 6MM	2		
9	95701-06012-00	BOLT, FLANGE, 6X12	2		

F-41

WIRE HARNESS

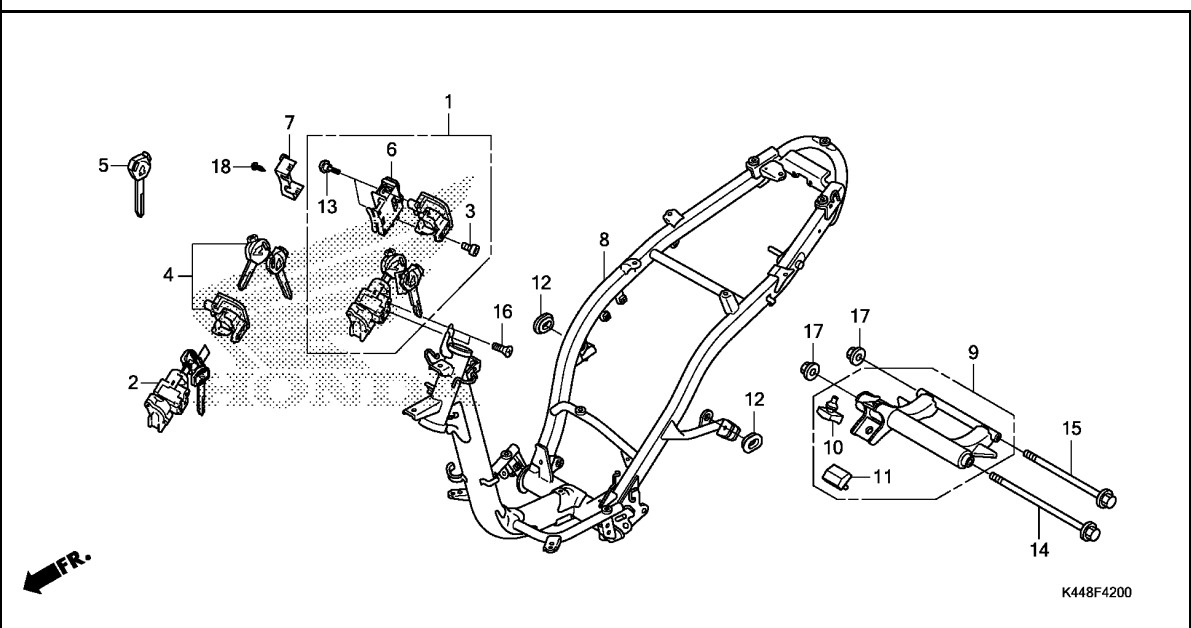
H 2



Ref. No.	L.O.N.	(Relative ref. Number) Description	F.R.T.
1	614105	COIL, IGNITION	0.7
3	6141E3	CAP, NOISE SUPPRESSOR	0.3
4	611100	HARNESS, WIRE	1.4
6	616169	HORN	0.1
9	611155	RELAY, MAIN	0.2
10	6111C5	RELAY, STARTER	0.2

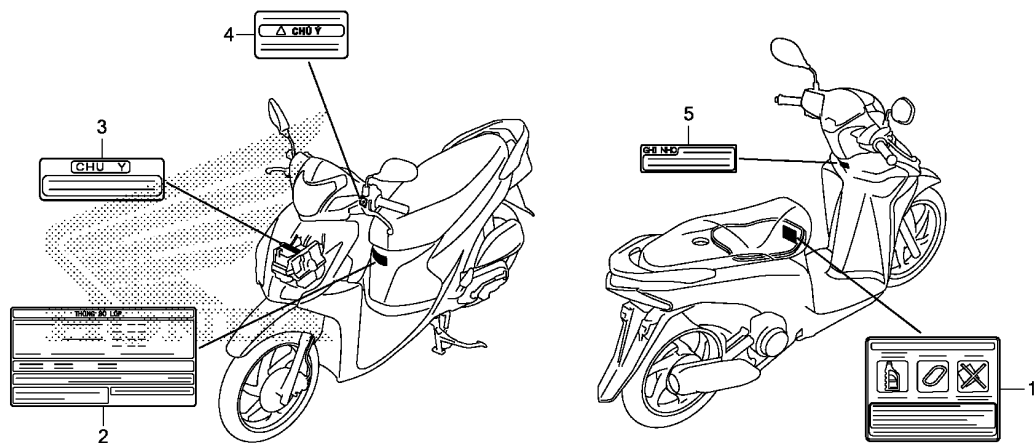
3

Ref. No.	Part No.	Description	Reqd. QTY	Serial No.	Parts catalogue code
			NSC110CBF F		
1	30510-K44-V01	COIL COMP., IGNITION	1		
2	30520-GFM-900	SPACER, IGNITION COIL	2		
3	30700-KZL-931	CAP ASSY., NOISE SUPPRESSOR (TOYO)	1		
4	32100-K44-V00	HARNESS, WIRE	1		
5	32606-K44-V01	CAP, DUMMY(WPC 4P 090 M)(RED)	1		
6	38110-KWW-B21	HORN COMP.	1		
7	38235-SNA-A01	PULLER, MINI FUSE	1		
8	38255-K44-V01	COVER COMP., UPPER	1		
9	38501-KVZ-631	RELAY ASSY., POWER (MICRO ISO 4P)(MITSUBA)	1		
10	38502-GGZ-J01	RELAY COMP., POWER (MICRO ISO 5P)	1		
11	90106-GFM-900	BOLT, HEX., 6X22	2		
12	95701-06012-00	BOLT, FLANGE, 6X12	2		
13	95701-08016-00	BOLT, FLANGE, 8X16	1		
14	98200-40500	FUSE, MINI(5A)	2		
15	98200-41000	FUSE, MINI(10A)	4		
16	98200-42500	FUSE, MINI(25A)	2		



Ref. No.	L.O.N.	(Relative ref. Number) Description	F.R.T.
1	6151A1	KEY SET	2.4
2	615145	SWITCH, COMBINATION & LOCK ...	2.5
4	6151A2	KEY, SHUTTER	2.3
		.EXCLUDES: Key cutting	
6	6151E8	SWITCH, SEAT AND BOX	0.7
8	410100	BODY, FRAME	4.9
		.INCLUDES: Engine removal and installation	
9	4101B5	LINK, ENGINE HANGER	1.8
		.INCLUDES: Engine removal and installation	

Ref. No.	Part No.	Description	Reqd. QTY	Serial No.	Parts catalogue code
			NSC110CBF F		
1	35010-K44-V00	KEY SET	1		
2	35101-K44-V01	SWITCH ASSY., COMBINATION & LOCK	1		
3	35109-K25-911	BOLT, SOCKET, 5X8	1		
4	35110-K44-V01	SHUTTER, KEY	1		
5	35121-K44-V00	KEY, BLANK	(1)		
		(VOKEYTOP2REPORDER)			
6	35190-K44-V01	SWITCH ASSY., SEAT OPENER ...	1		
7	35191-K44-V01	COVER, CABLE	1		
8	50100-K44-V00	BODY COMP., FRAME	1		
9	50350-K44-V00	LINK ASSY., ENGINE HANGER ...	1		
10	50352-K12-900	RUBBER, LINK STOPPER	1		
11	50353-K16-900	RUBBER, LINK STOPPER LOWER ..	1		
12	83551-GE2-000	GROMMET, AIR CLEANER CASE ...	2		
13	90101-MT4-000	SCREW, SCREEN SETTING	2		
14	90105-KVY-900	BOLT, FLANGE, 10X270	1		
15	90106-GCC-000	BOLT, FLANGE, 10X238	1		
16	90164-KZL-A00	SCREW, U-LOCK FLAT, 6X12	2		
17	90304-KGH-901	NUT, U, 10MM	2		
18	93901-24320	SCREW, TAPPING, 4X12	1		

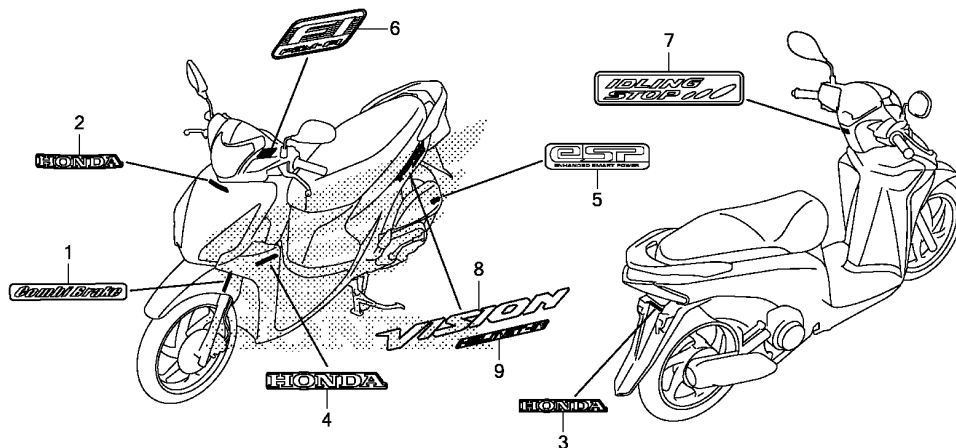


K448F4700

Ref. L.O.N. (Relative ref. Number) F.R.T.
No. Description

NO INFORMATION

Ref. No.	Part No.	Description	Reqd. QTY NSC110CBF F	Serial No.	Parts catalogue code
1	87504-KZL-E00	LABEL, REPLACEMENT INFORMATION	1		
2	87505-K44-V00	LABEL, TIRE	1		
3	87506-KTM-900	MARK, BATTERY CAUTION	1		
4	87514-K44-V00	LABEL,CBS CAUTION	1		
5	87560-KVB-950	LABEL, DRIVE CAUTION	1		



K448F4800

Ref. L.O.N. (Relative ref. Number) F.R.T.
No. Description

NO INFORMATION

3

Ref. No.	Part No.	Description	Reqd. QTY	Serial No.	Parts catalogue code
			NSC110CBF F		
1	61105-KTG-V00	MARK (COMBI BRAKE) (60MM)	1		
2	86101-K44-V00ZA	MARK, HONDA (70MM)	1		
		TYPE2	1		
	86101-K44-V00ZB	*TYPE1*	1		
3	86102-K44-V00ZA	MARK, HONDA (60MM)	1		
		TYPE1	1		
4	86103-K44-V00ZE	MARK, HONDA (85MM)	2		
		TYPE2	2		
	86103-K44-V00ZF	*TYPE1*	2		
5	86170-KZR-600	MARK, ENGINE	1		
6	86531-KYZ-710ZA	MARK (FI)	1		
		TYPE1	1		
7	86532-K01-930ZA	MARK, IDLE STOP	1		
		TYPE1	1		
8	86831-K44-V00ZA	MARK, BODY COVER	2		
		TYPE1	2		
9	86835-K44-V00ZA	MARK (HELMET IN)	1		
		TYPE3	1		
		(L. SIDE ONLY)	1		
	86835-KZL-E60ZA	*TYPE1*	1		
		(L. SIDE ONLY)	1		